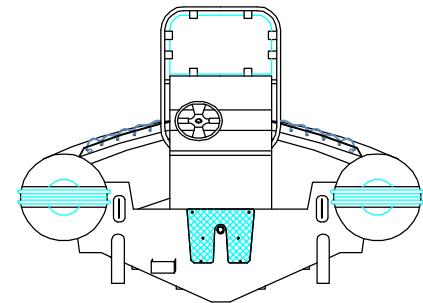
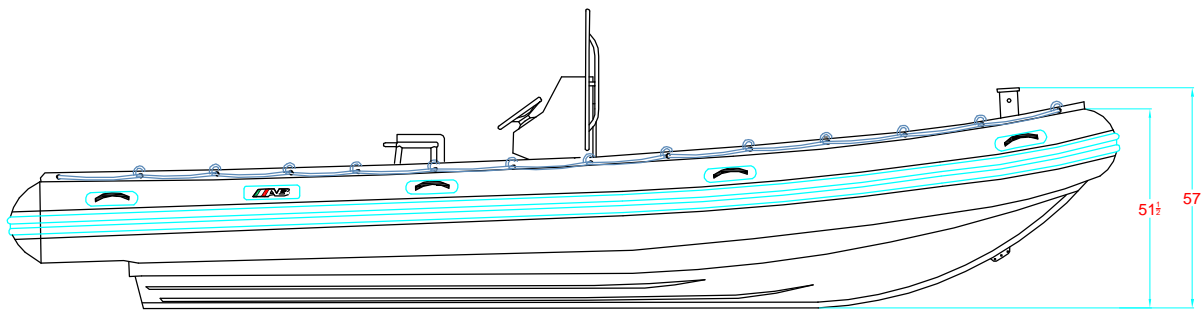


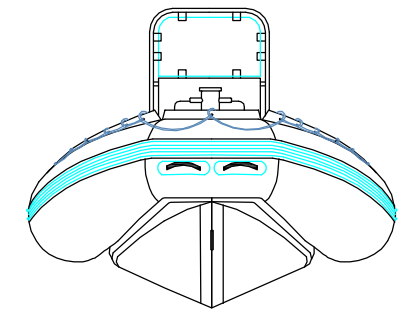
PLANT VIEW
VISTA SUPERIOR



AFT VIEW
VISTA TRASERA



LONGITUDINAL PROFILE
VISTA LATERAL




FORE VIEW
VISTA FRONTAL

MAIN PARTICULARS

MAXIMUM LENGHT/ESLORA MAX. _____ 24' 8" (7.52m)
 MAXIMUM BEAM/MANGA MAX. _____ 9' 2" (2.8m)

NOTES: 1.-ALL DIMENSIONS IN INCHES
 TODAS LAS MEDIDAS ESTAN DADAS EN PULGADAS

SUBJECTED: ALEXANDER BARRIOS		TITLE: "PROFILE A 24" GENERAL ARRANGEMENT ARREGLO GENERAL					
APPROVED: HERMES GARCIA							
SCALE:	SHEET: 1/1	CODE:	PLAN:	No.REV: 1	DATE:	APPROVED:	