



# PARTICLE SEPARATOR X2

[www.kwtfilters.com](http://www.kwtfilters.com)

**P/N: 20-4000**

Approx. Install Time: 0 Hrs 30 Min

## INSTALLATION INSTRUCTIONS

### VEHICLE TYPE

Year: **2020**  
Make: **Kawasaki**  
Model: **TERYX KRX**  
Engine: **999cc**

### TOOLS REQUIRED

- 3/16" Hex Key (Allen Wrench)
- 1/8" Hex Key (Allen Wrench)
- Phillips Screwdriver
- Wire Cutters
- 3.75 diameter Hole Saw or Dremel Tool

## BEFORE YOU START

Please read the entire installation manual before proceeding.  
Ensure all part items listed on page 4 exist  
If you are missing any of the components, call our customer support at 888-340-5055.  
Do not work on the vehicle while the engine is running or hot.  
Ensure vehicle is turned off and brake is on.

### WARNING:

**THIS EQUIPMENT SHOULD BE INSTALLED, ADJUSTED, AND SERVICED BY PERSONNEL FAMILIAR WITH THE CONSTRUCTION AND OPERATION OF THIS TYPE OF EQUIPMENT AND THE HAZARDS INVOLVED. FAILURE TO OBSERVE THIS PRECAUTION COULD RESULT IN SEVERE INJURY. READ THIS MANUAL THOROUGHLY AND MAKE SURE YOU UNDERSTAND THE PROCEDURES BEFORE YOU ATTEMPT TO OPERATE THIS EQUIPMENT. THE PURPOSE OF THIS MANUAL IS TO PROVIDE YOU WITH INFORMATION NECESSARY TO SAFELY OPERATE, MAINTAIN, AND TROUBLESHOOT THIS EQUIPMENT. DO NOT USE THIS EQUIPMENT FOR ANY REASON OTHER THAN ITS INTENDED PURPOSE. FAILURE TO FOLLOW THESE INSTRUCTIONS WILL VOID ANY WARRANTY. KEEP THIS MANUAL FOR FUTURE REFERENCE. THE INFORMATION CONTAINED IN THIS MANUAL IS SUBJECT TO CHANGE WITHOUT NOTICE.**



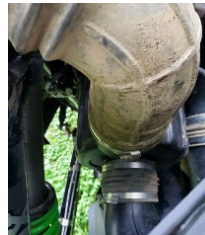
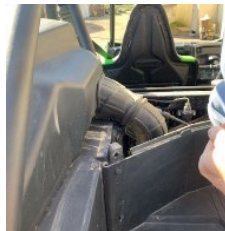
# PARTICLE SEPARATOR X2 P/N: 20-4000

## INSTALLATION INSTRUCTIONS

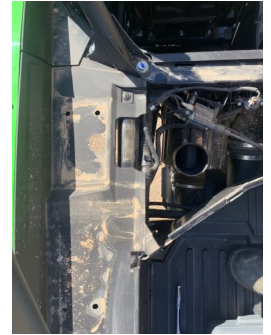
**STEP 1.** The preferred placement for the Particle Separator (1) is nearest to the engine intake and on the bottom or side bar of the roll cage. Make sure you have enough room to fit the clamps and particle separator on the roll cage without any interference. Planning ahead will save you time during the install. Our clamps are adaptable enough to work around any additional accessories you may have on the roll cage in addition to the particle separator.



**STEP 2.** Remove push pins from plastic cover and remove cover. Loosen hose clamp from intake tube and remove intake tube from vehicle's air intake box and separate intake tube from side intake cover.



**STEP 3.** Remove push pins from the side intake and remove side intake.



**STEP 4.** Use 1/8" Hex Key to unscrew bolt and remove from Roll Bar Clamp (7). Install Roll Bar Clamp onto roll bar being careful to wrap roll bar with protective tape to avoid scratching the roll cage. Insert Metal Bracket (5) into the on the Roll Bar Clamp (7), then insert Roll Bar Clamp (7) screw into the Roll Bar Clamp (7) and tighten. Do not fully tighten. Clamp should rotate freely and will be fully tightened later in assembly. After Roll Bar Clamps (7) are installed, measure gap between the Metal Brackets (5) and set at 9.5 inches and tighten screw with 3/16" Hex Key.



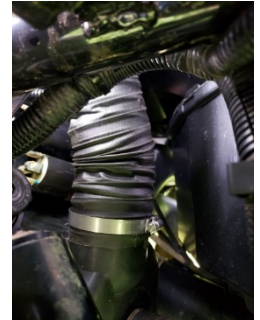


# PARTICLE SEPARATOR X2 P/N: 20-4000 INSTALLATION INSTRUCTIONS (CONTINUED)

**STEP 5.** Install Particle Separator (1) onto the Metal Brackets (5) on the left and right-side using Screw (6) and Washer (4) and a 3/16" Hex Key to tighten. Washer **MUST** be between the Metal Bracket (5) and Particle Separator (1). If the washer is placed under the head of the Screw (6) the Particle Separator will rotate freely and may cause damage. After installation ensure the Particle Separator is level.



**STEP 6.** Measure so the hole on the air intake cover that aligns with air intake hole in the air filter compartment. Cut a hole using a 3.75" diameter hole saw. Insert included rubber stripping around the hole. Insert Flexible Duct Hose (8) from the air intake area through the panel hole. Insert Flexible Duct Hose (8) from the air intake area through the panel hole. If necessary, cut excess off the Flexible Duct Hose (8) with wire cutters for better fit. Insert the Hose Clamp (2) over the end of the Flexible Duct Hose (9) that is sticking out of the Air Intake cover. Place the Flexible Duct Hose (9) over the Particle Separator (1) intake and tighten with a Philips screwdriver, then fully Tighten screws on Metal brackets with 3/16" Hex Key.



**STEP 7.** Re-check hose configuration for fit. Re-install Side Intake and install is complete.

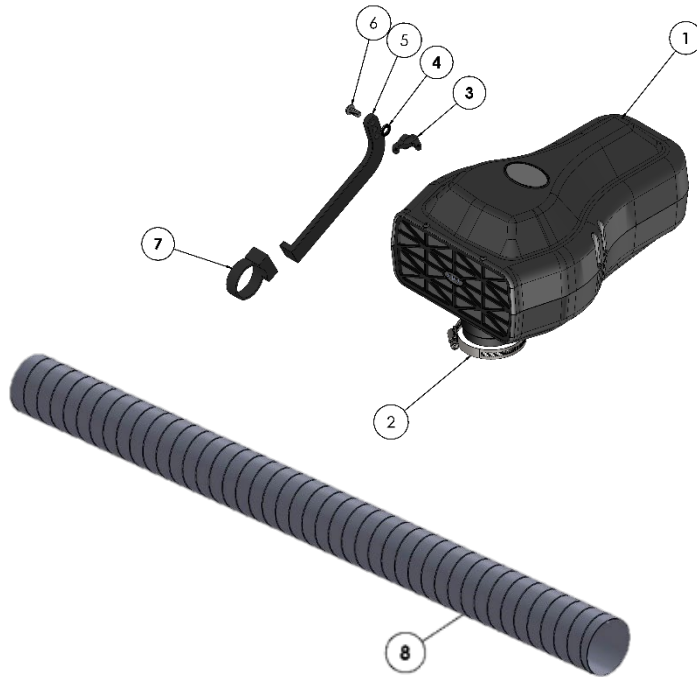






# PARTICLE SEPARATOR X2 P/N: 20-4000 INSTALLATION INSTRUCTIONS (CONTINUED)

## EXPLODED VIEW / PARTS LIST



ITEM	QTY	DESCRIPTION	PART NUMBER	ITEM	QTY	DESCRIPTION	PART NUMBER
1	1	PARTICLE SEPARATOR	KW9728-01	6	2	SCREW 5/16-18x5/8	KW9728-06
2	2	HOSE CLAMP	KW9728-02	7	2	CLAMP, ROLL BAR	KW9728-07a
3	2	MOUNTING BRACKET	KW9728-03	8	1	FLEXIBLE DUCT HOSE 3.25" DIA	KW9728-09
4	2	WASHER, 5/16 NORD-LOCK	KW9728-04				
5	2	BRACKET, METAL	KW9728-05				

### SIDE NOTE

KWT recommends that you apply a layer of waterproof grease, such as made by Bel-Ray or Super Lube, on the inside flange of the stock Air Filter Box to keep dust from bypassing the O-ring Seal.



# PARTICLE SEPARATOR X2 P/N: 20-4000 INSTALLATION INSTRUCTIONS (CONTINUED)

## ONGOING MAINTENANCE

Your KWT Particle Separator requires very little if any maintenance depending on where you drive. Always check to make sure the opening in front of the Particle Separator is not blocked by mud or other debris each time you exit the UTV.

To clean your Particle Separator, review the cleaning instructions below. The dirt collection chamber should be emptied monthly. Intervals may increase as you increase riding miles.

## CLEANING INSTRUCTIONS

To clean the KWT Particle Separator push in the three buttons located on the bottom to release the dirt collection tray. Empty the dirt by tapping it out. Install the tray in place starting from the back. Squeeze the dirt collection chamber onto the filter until hearing an audible click. Repeat for the two front buttons. To ensure the dirt collection tray is securely fastened, gently pull down on each of the three corners to make sure no gaps are visible.

