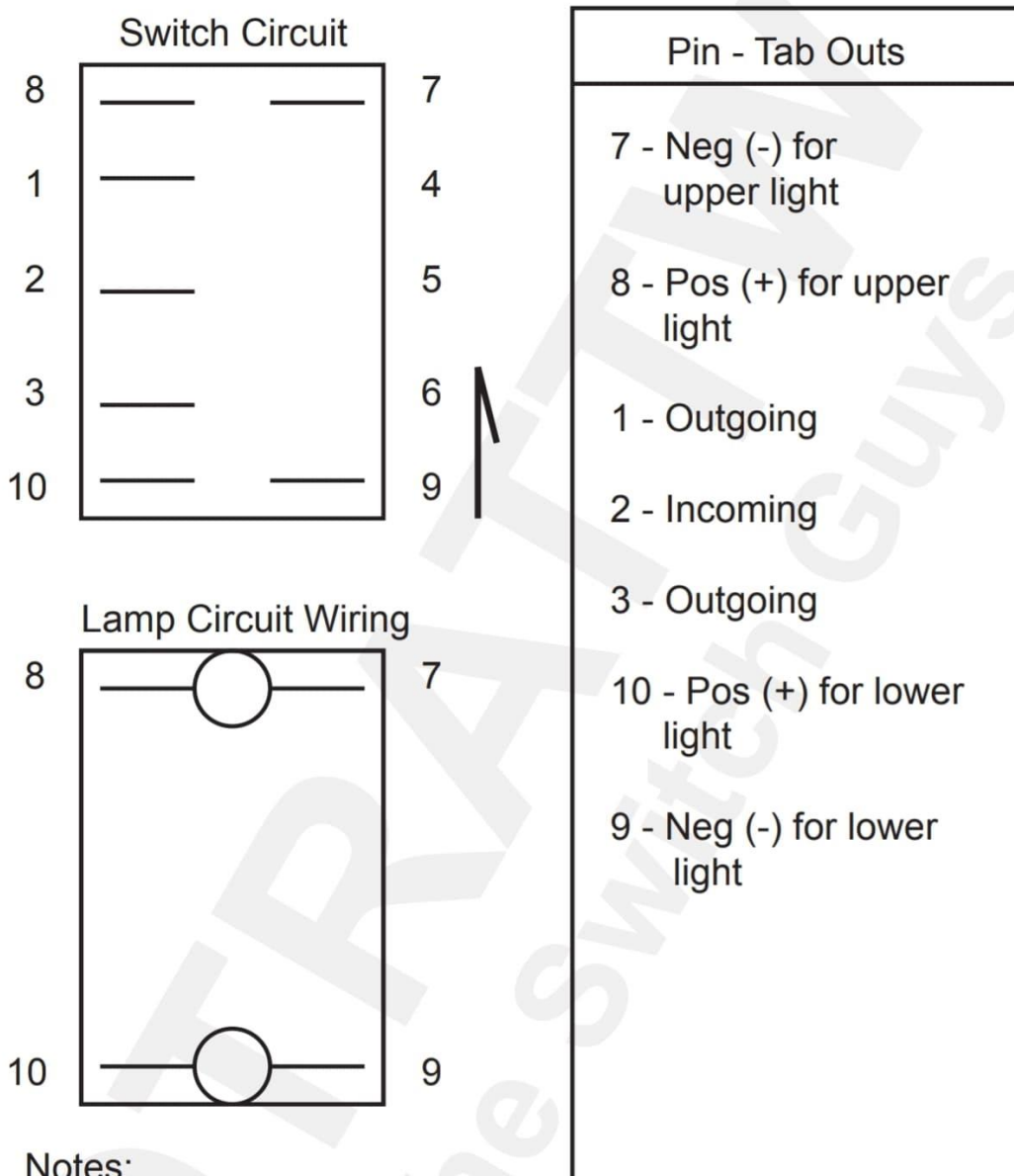


WINCH SWITCH

V8D2UXXB



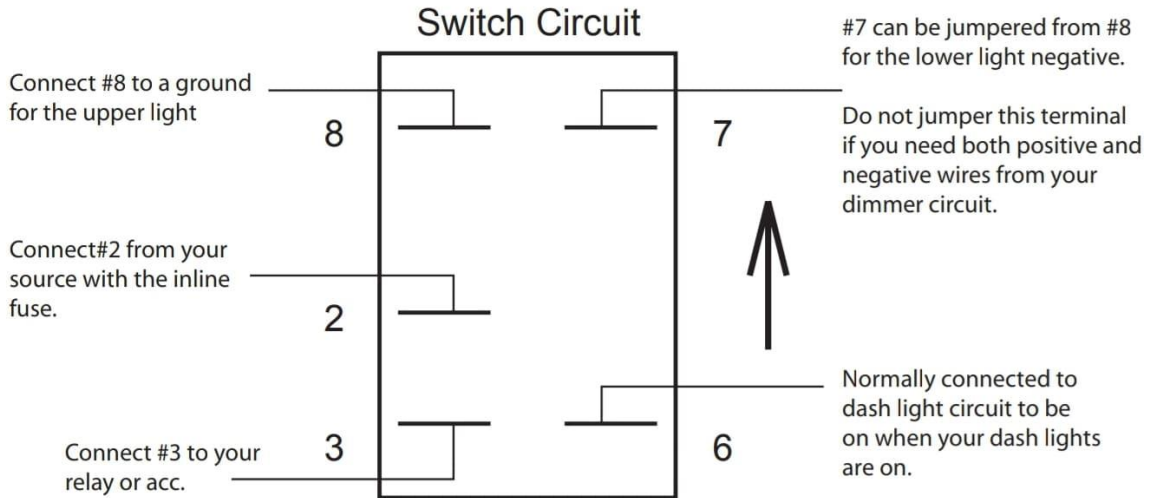
Notes:

This is a dual lighted switch. Both lights in this switch are wired to be independent of the switch operation.

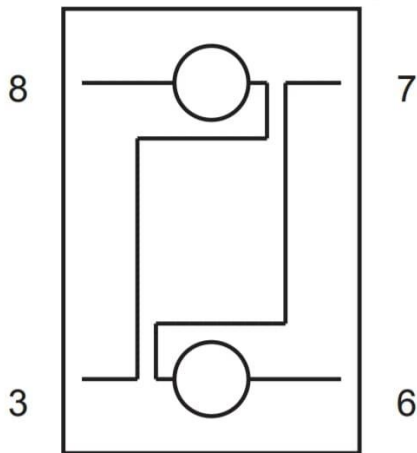
This is the basic layout of the switch per the manufacturer's guidelines. Care should be taken to ensure that you, the vehicle or equipment's owner, and your professional installer have properly fused, wired, and relayed your accessories per the manufacturer's instructions. OTRATTW and Leapfrog Studios take no responsibility for damage, accidents, or injuries resulting from the installation of Carling Technology switches and accessories, Bussmann electrical accessories, and Tyco products.

ON/OFF SWITCHES

V1D1J661 - V1D1J66B - V1D1JHHB - V1C1J771



Lamp Circuit Wiring



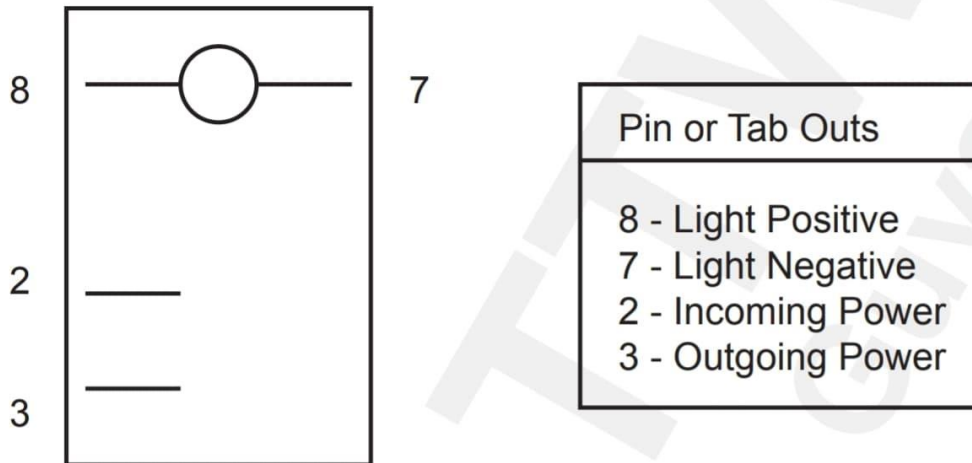
Pin - Tab Outs
8 - Upper light Neg (-)
7 - Lower light Neg (-)
2 - Incoming from power source
3 - Outgoing - to relay, accessory, or equip.
6 - Lower light Pos (+)

This is the basic layout of the switch per the manufacturer's guidelines. Care should be taken to ensure that you, the vehicle or equipment's owner, and your professional installer have properly fused, wired, and relayed your accessories per the manufacturer's instructions.

OTRATTW and Leapfrog Studios take no responsibility for damage, accidents, or injuries resulting from the installation of Carling Technology switches and accessories, Bussmann electrical accessories, and Tyco products.

HORN SWITCHES

V1DAA60B & V1D1A70B



Notes: This drawing also covers V2D1A and V7D1A series switches

The wiring on this single lighted switch is independent.
There are no internal connections to pin/tabs # 2 or #3.

This is the basic layout of the switch per the manufacturer's guidelines. Care should be taken to ensure that you, the vehicle or equipment's owner, and your professional installer have properly fused, wired, and relayed your accessories per the manufacturer's instructions.

OTRATTW and Leapfrog Studios take no responsibility for damage, accidents, or injuries resulting from the installation of Carling Technology switches and accessories, Bussmann electrical accessories, and Tyco products.