

# SUMMER ELA PACKET

## Students Entering 6<sup>th</sup> Grade

Dear ICCI Families,

We hope you have an enjoyable and safe summer. In order to ensure that your child's skills are sharp for the upcoming year, we have put together Monthly Summer Choice Boards to help reinforce ELA skills over the summer.

Reading over the summer is necessary to prevent a "summer slide". Students who read over the summer are more likely to leap ahead and be ready for learning come September. The "Reading" category on the Monthly Summer Choice Boards will require students to read a grade-level novel of their choice. Below are some recommended titles for students entering 6<sup>th</sup> grade.

Electronic books are available online via the Free Library of Philadelphia. To find ebooks, log on to [freelibrary.org](http://freelibrary.org). Search for titles in the blue "Find" search engine. Filter the selections for "Ebooks" and then click "Read Now" to read the electronic copy for free with your library card information.

You can choose to print the packets and answer them or answer on separate sheets of paper. Packets will be collected by the 6<sup>th</sup> grade teachers when we return to school and students will earn rewards. While these packets are not mandatory, they are strongly recommended.

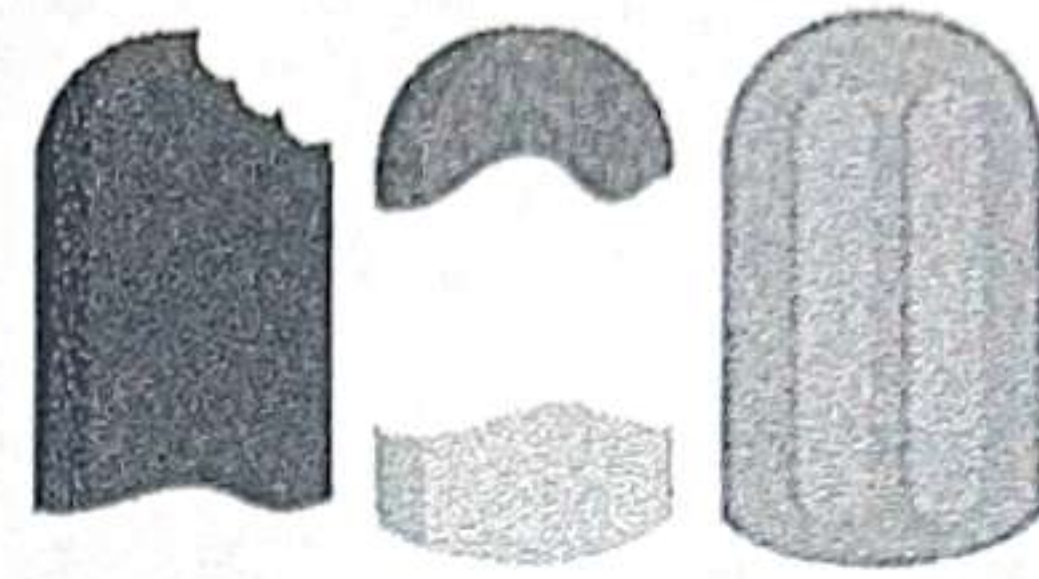
Have a wonderful and safe summer!  
The 5<sup>th</sup> Grade Teachers

### Book Recommendations for Students Entering 6<sup>th</sup> Grade:

- A Wrinkle in Time by Madeleine L'Engle
- Number the Stars by Lois Lowry
- Schooled by Gordon Korman
- Bridge to Terabithia by Katherine Paterson
- Hatchet by Gary Paulsen
- Hour of the Bees by Lindsay Eagar
- The Westing Game by Ellen Raskin
- Esperanza Rising by Pam Munoz Ryan
- Wonder by R.J. Palacio
- I Survived series by Lauren Tashis
- Elijah of Buxton by Christopher Paul Curtis

# Summer Choice Board

Students Entering 6<sup>th</sup> Grade



Month: June

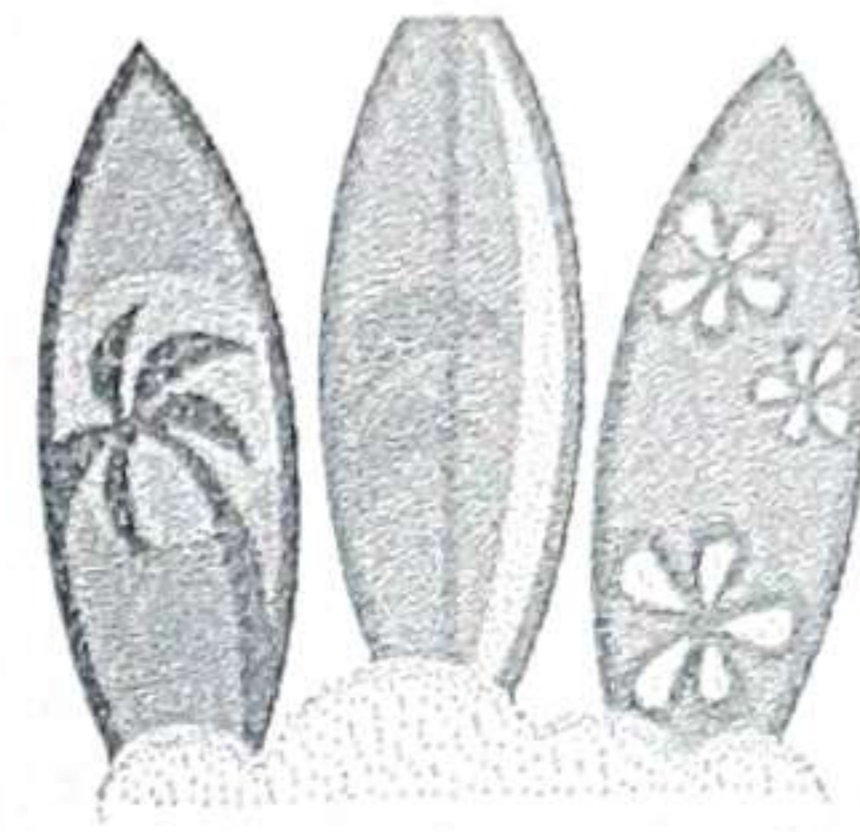
Choose activities from the menu below to stay sharp this summer.  
Challenge yourself to do as many different activities as you can.

Reading	<p><b>Setting</b></p> <p>Draw a picture that shows the main setting of your novel. Write 2 sentences to describe it.</p>	<p><b>Plot Summary</b></p> <p>Summarize a MAIN EVENT in your novel. Your response should be 4-8 sentences.</p>	<p><b>Character</b></p> <p>List the major characters. Write a 1-2 sentence description of each character.</p>	<p><b>Conflict</b></p> <p>Explain a conflict in your novel. If it was solved, explain how. Bonus: What type of conflict was it? Man vs. Man, Man vs. Self, Man vs. Nature/ Society</p>
Language	<p><b>Sentences</b></p> <p>Complete the "Sentences" Review  (See Below)</p>	<p><b>Plurals</b></p> <p>Complete the "Plurals" Review  (See Below)</p>	<p><b>Pronouns</b></p> <p>Complete the "Pronouns" Review  (See Below)</p>	<p><b>Figurative Language</b></p> <p>Complete the "Figurative Language" Review  (See Below)</p>
Writing	<p><b>Persuasive Writing</b></p> <p>Write a letter convincing your principal to allow you to bring your pet to school. Use correct letter format.</p>	<p><b>Informative Writing</b></p> <p>What is a problem in our world/society you'd like to solve. Explain how you would go about solving the problem.</p>	<p><b>Descriptive Writing</b></p> <p>Write an essay to describe your favorite summer treat. Use at least 8 adjectives and vivid detail.</p>	<p><b>Sensory Writing</b></p> <p>Write an example of a Simile, Metaphor, Onomatopoeia, and Personification of something you see outside today.</p>

# Summer Choice board

Students Entering 6<sup>th</sup> Grade

Month: August



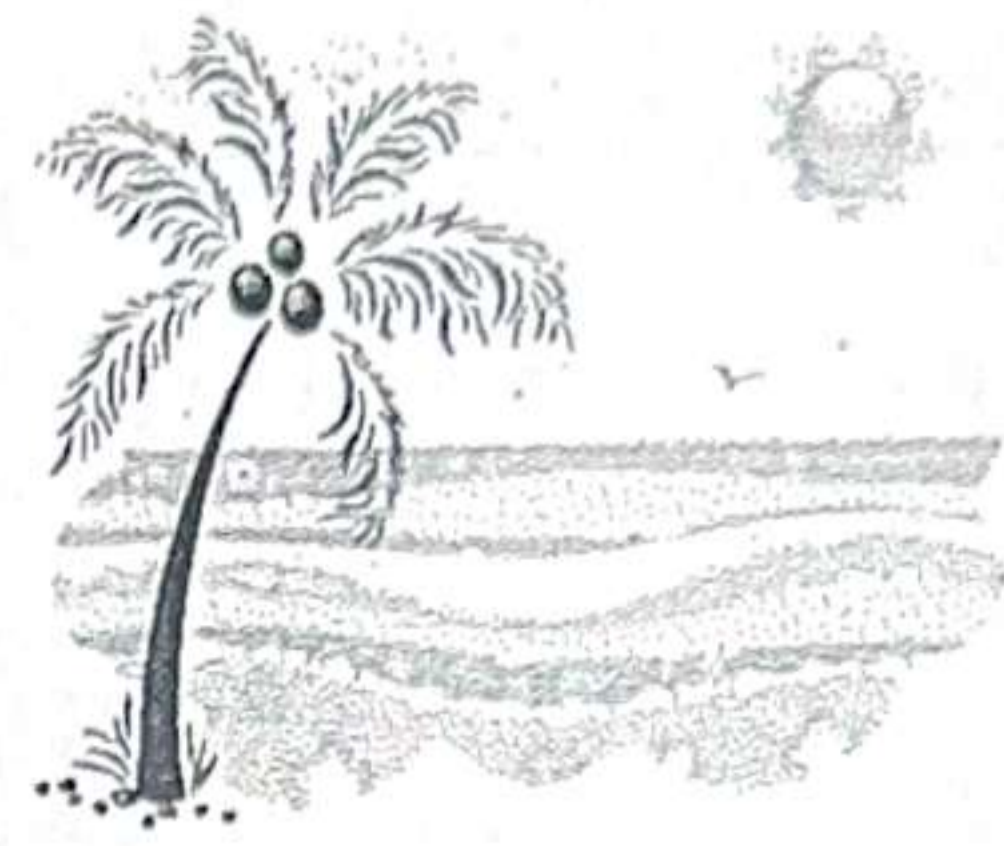
Choose activities from the menu below to stay sharp this summer.  
Challenge yourself to do as many different activities as you can.

	Sequence	Symbolism	Analysis	Theme
Reading	Design a comic strip that shows the sequence (order) of the main events in your novel.	Pick a character from your book. Think of a symbol (an object) that represents them. Explain why you chose it with 2 sentences. <b>Example:</b> Melody is a fish in a tank. She feels trapped in her wheelchair, but wishes she could be free. She wishes people wouldn't stare at her.	Choose a character from your novel. Imagine they had to pack a suitcase for a trip. What would you find in their bag? Why?	Think of the main lesson/moral of the story. Write the theme. Give 2 examples from the text to support the theme you chose.
Language	<b>Nouns</b> Complete the "Nouns" Review. (See Below)	<b>Proofreading</b> Complete the "Proofreading" Review. (See Below)	<b>Verb Tense</b> Complete the "Verb Tense" Review. (See Below)	<b>Prepositional Phrases</b> Complete "Prepositional Phrases" Review. (See Below)
Writing	<b>TDA Writing</b> *Use whatever novel you're currently reading. Write an essay to show the function of the main character in the text. Use evidence to support your response.	<b>Persuasive Writing</b> Imagine someone just moved to your neighborhood. Write an essay to convince them to try your favorite pizza shop. Give reasons to make them want to try a slice from there!	<b>Expository Writing</b> Think about someone you admire. Write to explain how following his/her guidance can help you reach your goals.	<b>Narrative Writing</b> Write a narrative (tell a story) about the "Best Part of You". Tell what makes you special and why you are unique.

# Summer Choice board

Students Entering 6<sup>th</sup> Grade

Month: July



Choose activities from the menu below to stay sharp this summer.  
Challenge yourself to do as many different activities as you can.

Reading	<p><b>Vocabulary</b></p> <p>Find 5 unknown or interesting words in your book. Look up their meaning. Write a sentence for each of the words.</p> <p>*Challenge: Use the newly learned vocabulary in a conversation.</p>	<p><b>Cause and Effect</b></p> <p>Pick 3 events. Write a cause and effect relationship for those events.</p> <p><b>Example:</b> <i>Toy Story</i> Cause: Andy graduated high school and is going to college. Effect: His mom made him donate/trash his toys.</p>	<p><b>Compare and Contrast</b></p> <p>Make a Venn Diagram or T-Chart to compare and contrast 2 characters in your novel.</p>	<p><b>Connections</b></p> <p>Make a connection between the book and something in your own life, another book you've read, or the real world.</p>
Language	<p><b>Comma Usage</b></p> <p>Complete the "Comma Usage" Review (See Below)</p>	<p><b>Adverbs</b></p> <p>Complete the "Adverbs" Review (See Below)</p>	<p><b>Prepositions</b></p> <p>Complete the "Prepositions" Review (See Below)</p>	<p><b>Linking Verbs</b></p> <p>Complete the "Linking Verbs" Review (See Below)</p>
Writing	<p><b>Narrative Writing</b></p> <p>Write a narrative (a story) about your best summer adventure. It could be a vacation, day at camp, bike ride, playing with friends outside, etc.</p>	<p><b>Informative Writing</b></p> <p>Research a famous inventor. Explain what they are famous for and why their invention is important to us.</p>	<p><b>Opinion Writing</b></p> <p>What time should 6<sup>th</sup> graders go to bed? Write an opinion essay. Be sure to give 3 reasons and explain them fully.</p>	<p><b>Sensory Writing</b></p> <p>Describe a dream that you recently had. Help the reader see, feel, hear, taste, and/or smell what happened in your dream. Be vivid!</p>

# June Language Arts Review Questions

## Students Entering 6<sup>th</sup> Grade

### Sentences

Directions: Rewrite the fragments as complete sentences.

Burning leaves.

Ran to the door.

Caught in the escalator.

The famous man.

A noise outside.

With his homework.

The hardworking student.

Listened to the student council speeches.

### Plurals

Directions: Write the plural form of the following nouns.

1. strawberry \_\_\_\_\_
2. bush \_\_\_\_\_
3. dress \_\_\_\_\_
4. baby \_\_\_\_\_
5. beach \_\_\_\_\_
6. deer \_\_\_\_\_
7. pony \_\_\_\_\_
8. knife \_\_\_\_\_
9. wolf \_\_\_\_\_
10. day \_\_\_\_\_

### Pronouns

Directions: Replace the underlined words with pronoun.

The girl and her friends played basketball at the playground.

Jonah said, "Jonah likes to eat corn on the cob".

My mother used to live in Delaware.

Why don't the children eat lunch outside today?

The rabbit ate the rabbit's food.

Brittany and I share the same birthday.

The next day, Sarah and Andrew walked to school together.

Heather found a dollar in her backyard.

### Figurative Language

Directions: Identify if the sentence is a SIMILE or METAPHOR or PERSONIFICATION.

1. He was as quiet as a mouse.
2. It was as hot as fire!
3. The trees danced in the fall breeze.
4. He's a dog when he lies to get his way!
5. The hotel sheets were as white as cotton.
6. The sleeping baby was an angel in the bassinet.
7. The wind whispered before the rain started to come down.
8. Liam is a snail packing his suitcase for vacation.

# July Language Arts Review Questions

## Students Entering 6<sup>th</sup> Grade

### Comma Usage

Directions: Add commas where needed.

- 1. My sister brother and cousin went to camp with me.
- 2. Jim my uncle took us to the movies.
- 3. Emily said "Let's go to the boardwalk."
- 4. I want new sneakers but I have to save more money for them.
- 5. My dad went to the bank grocery store post office and then drove back home.
- 6. The poodle known for its small size can be a great pet.

### Adverbs

Directions: Circle the adverbs. There are 2 in each sentence.

1. She watched eagerly as the storm grew near.
2. Down came the rain violently.
3. She fed her puppy early today.
4. Softly and sweetly the choir sang.
5. He arrived late to the party tonight.
6. Mr. Brown drove the school bus carefully and slowly.

### Prepositions

Directions: Circle the prepositions in the sentences below. \*Think: Anywhere a mouse can go\*

- 1. Carol visited her sister near Chicago.
- 2. In the early 1900s, the telephone was invented.
- 3. Immigrants came to America to seek a better life.
- 4. The squirrel crawled through the hollow log and onto the branch.
- 5. He went without playing basketball for two weeks.
- 6. The student sat between her friend and the teacher during the assembly.

### Linking Verbs

Directions: Identify the Linking Verb in the sentences.

1. The puppies have blue eyes.
2. The soup is ready!
3. The museums are free for student visitors.
4. Carter was here earlier.
5. The rabbits are under the fern.
6. She has a long day ahead of her.
7. Mr. Jones is a wonderful neighbor.
8. Ants are all over the sidewalk!
9. Liam's pencil is on the desk.
10. Grace's car is parked out front.

# August Language Arts Review Questions

## Students Entering 6<sup>th</sup> Grade

### Nouns

Directions: Identify the nouns in the sentences. Label them C- common or P- Proper.

- The paperweight sat on Tim's desk.  
Rob works at Team Toyota.  
We went food shopping at Shoprite.  
I love going to the beach in Wildwood, NJ.  
Brian threw the baseball and broke the window.  
Sparky, the dog, jumped the fence.  
Pearl bought a new black dress.  
Greg, a 6<sup>th</sup> grade student, ran for student council.

### Proofreading

Directions: Rewrite the sentences to correct the grammar and spelling mistakes.

1. there class saw too plays this summer
2. have you ever been to delaware
3. the olympics is fun two watch
4. I learned a knew hoccey play
5. we bought ice-cream at the phillies game on saturday

### Verb Tense

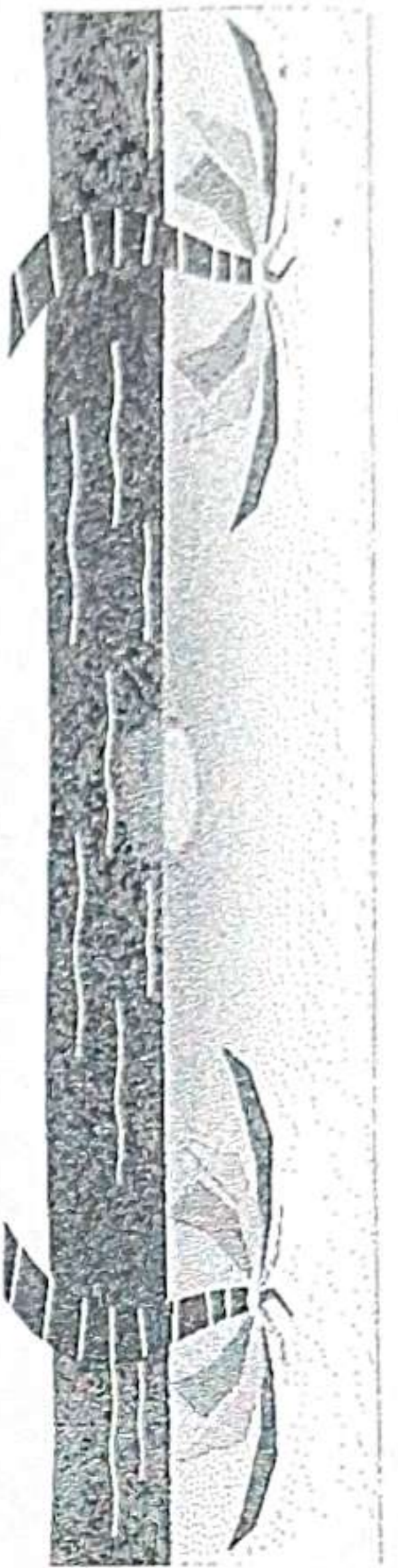
Directions: Write the correct form of the verb in parentheses.

- We \_\_\_\_\_ at a hotel on vacation last summer. (stay)  
My mom \_\_\_\_\_ my sister in a blanket before her nap since she was cold. (wrap)  
Our class \_\_\_\_\_ for our history test tomorrow. (study)  
Timothy \_\_\_\_\_ to remember his spelling words as he takes his test. (try)  
Will \_\_\_\_\_ all of his wrestling matches this season. (attend)  
Jake \_\_\_\_\_ his teeth before he went to bed. (brush)  
Tori \_\_\_\_\_ for the test coming up. (review)  
Ms. Gushue \_\_\_\_\_ with the class each week in Music class. (sing)

### Prepositional Phrases

Directions: Identify the prepositional phrase in each sentence.

1. We went to a birthday party at Sue's house.
2. Katie moved from California to Pennsylvania.
3. Eric lives across the street from his cousin.
4. The rain continued to fall throughout the afternoon.
5. Mr. Thompson had to drive through the large puddles in the parking lot.
6. Angelica came to visit from Europe.
7. My little brother wore a bandage over his scraped knee.
8. Ben lives in the blue house across from the lake.



Dear FITCES Families,

We hope you have an enjoyable and safe summer. In order to ensure that your child's skills are sharp for the upcoming year, we have put together a Summer Choice Board to help reinforce math skills over the summer. The extra practice will help prevent the "summer slide" of skills that were taught in 5<sup>th</sup> grade.

Students who complete the choice board will be awarded merits to help get them on the Ben Board faster.

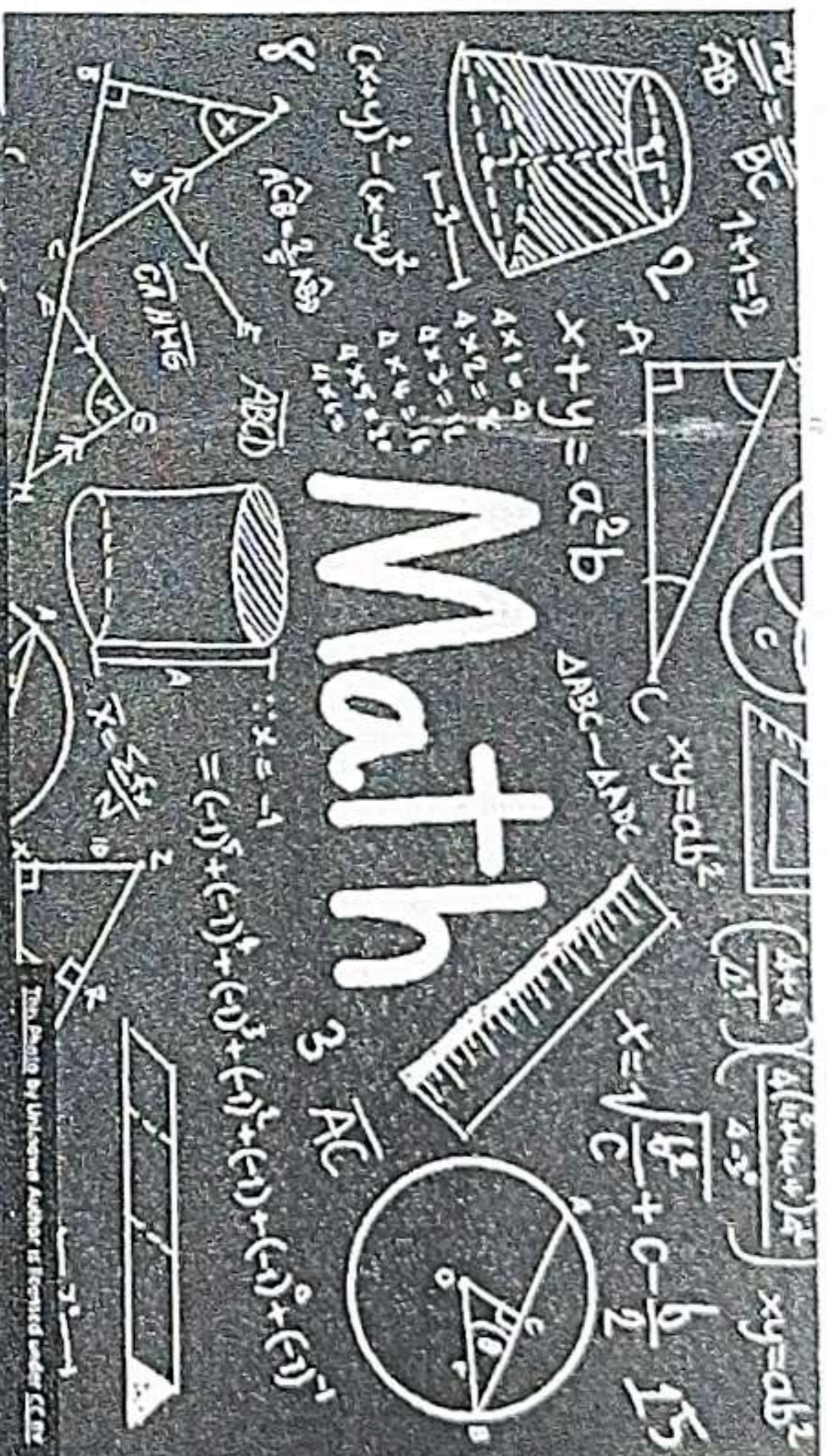
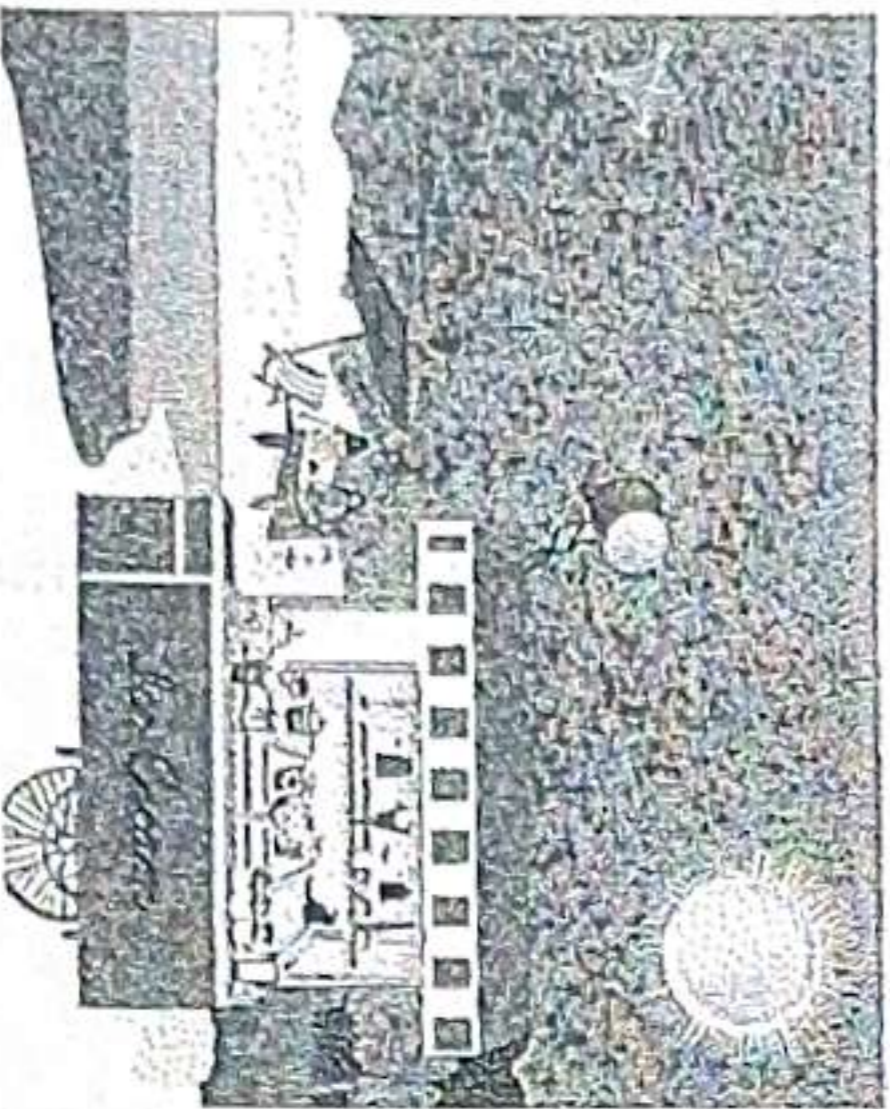
While these packets are not mandatory, they are strongly recommended to make sure you are fully prepared for 6<sup>th</sup> grade math.

Have a wonderful and safe summer!

The 5th Grade Teachers

Additional enrichment opportunities that can be accessed through your ClassLink account and clicking on the Clever app:

- Khan Academy (course mastery)
- Prodigy (continue your adventure)
- Splashlearn (games and skills to practice)



## Choice Board Directions

- On the following pages you will find the Math Summer Choice Board. To earn the maximum number of merits you will need to complete ANY 12 boxes.
- Write your answers and show your work on the sheets provided and bring it with you on the first day of school. Make sure to circle the boxes on the Choice Board you have completed!



# Summer Math Choice Board



Name: \_\_\_\_\_

PEMDAS – Order of Operations	Line Plots	Patterns	Fractions – order and compare	Whole numbers – Round, order, add and subtract
CSI Digital Mystery Video Games Part 1	Riddles	Decimals – read, write, round, and compare	Recipes - fractions	Volume
Powers of 10	Escape Rooms	Multiplication facts	Measurement Conversion	Whole numbers - multiply and divide
2D Shapes	Decimals – add, subtract, and divide	Average	Fractions – add, subtract, multiply, divide	CSI Digital Mystery Video Games Part 2
Time conversion	Age in hours	Area, perimeter and volume	Coordinate Grids	Jokes

Grade 5 PEMDAS Worksheet

Solve the following using PEMDAS

- The order of operations:
1. Parentheses ()
  2. Exponents  $5^2$
  3. Multiplication  $\times$  or Division  $\div$
  4. Addition  $+$  or Subtraction  $-$

1.  $70 - 5 \times 9$
2.  $27 \div 3 - 3$
3.  $69 \div 3 - 3 \times 7$
4.  $56 \div 8 + 12 \times 4$
5.  $84 \div 4 \times 6 - 114$
6.  $44 \times 5 \div (9 + 11)$
7.  $6^2 - 1$
8.  $4^2 \times 3^3$
9.  $9^2 \div (11 - 8)$
10.  $(18 + 15 \div 5) \div (14 - 7)$

# Make and Interpret the Line Plot

Fill in the patterns and then graph the coordinate pairs.

Kevin and his friends went fishing on Sunday. The table below illustrates the number of fish caught by each of them. Read the data, make a line plot, and answer the following questions.

Kevin	John	Tom	Alan	Steve
1	4	3	5	3



Fish



Anglers

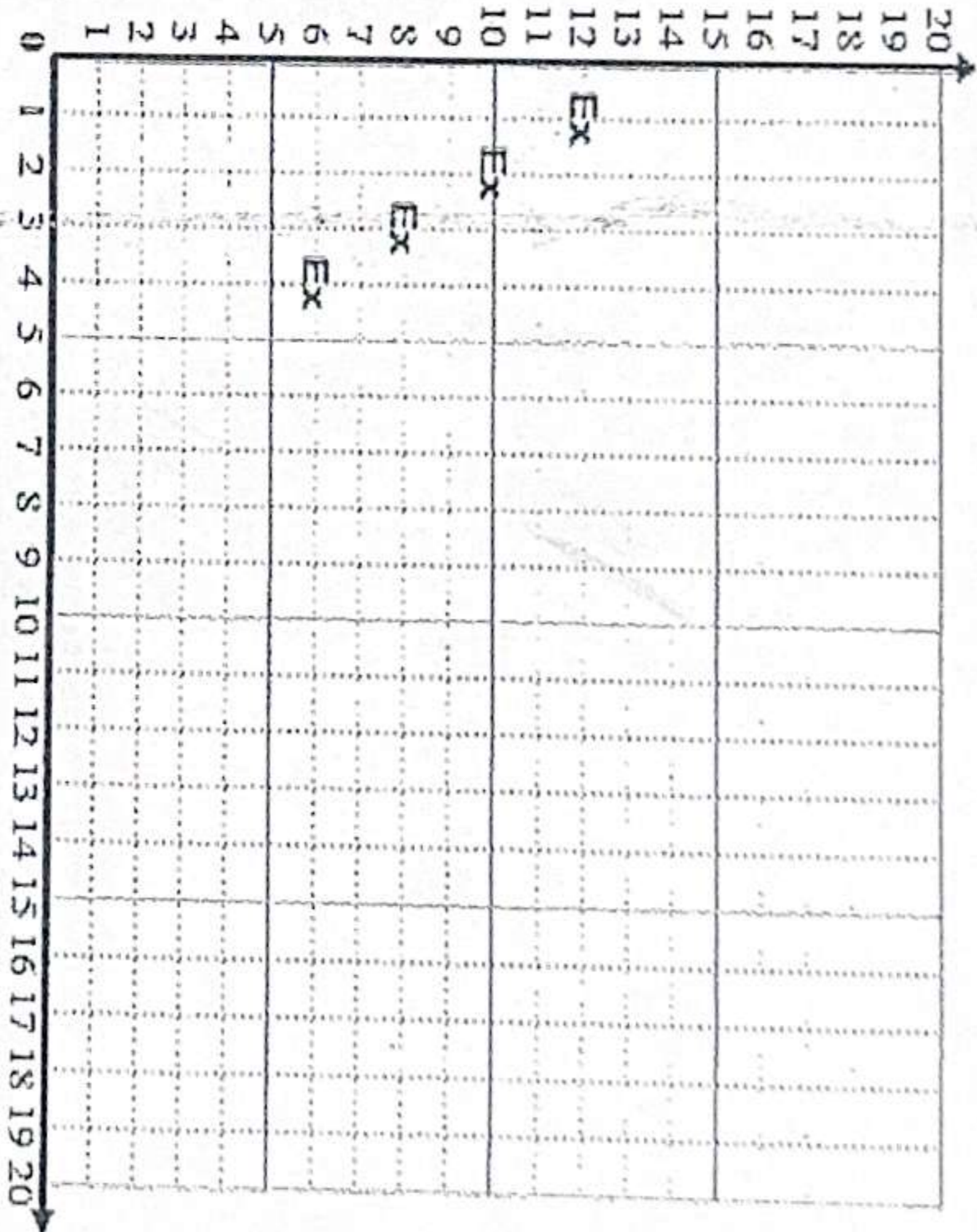
) Who caught more fish than anybody else?

) Which two friends caught the same number of fish?

) How many fish did John catch?

) Who caught only one fish?

) How many of them caught at least two fish?



Ex) X: Start at 1 and add 1.

Y: Start at 12 and subtract 2.

X: 1 2 3 4

Y: 12 10 8 6

1) X: Start at 11 and subtract 1.

Y: Start at 12 and subtract 3.

X: 11 10 9 8

Y: 12 9 6 3

3) X: Start at 6 and add 3.

Y: Start at 4 and subtract 1.

X: 6 9 12 15

Y: 4 3 2 1

2) X: Start at 12 and subtract 1.

Y: Start at 18 and subtract 3.

X: 12 11 10 9



Y: 18 15 12 9

5) X: Start at 8 and subtract 1.

Y: Start at 7 and subtract 2.

X: 8 7 6 5

Y: 7 5 3 1

Replace each  $\bullet$  with  $<$ ,  $>$ , or  $=$  to make a true sentence.    $=$

1.  $\frac{2}{3} \bullet \frac{3}{4}$

2.  $\frac{3}{8} \bullet \frac{6}{16}$

3.  $\frac{5}{8} \bullet \frac{7}{12}$

4.  $\frac{1}{2} \bullet \frac{6}{7}$

5.  $\frac{3}{9} \bullet \frac{1}{3}$

6.  $\frac{1}{6} \bullet \frac{9}{10}$

7.  $\frac{5}{6} \bullet \frac{7}{8}$

8.  $\frac{5}{8} \bullet \frac{5}{12}$

9.  $\frac{4}{5} \bullet \frac{2}{3}$

Order the fractions from least to greatest.

10.  $\frac{3}{4}, \frac{2}{5}, \frac{5}{8}, \frac{1}{2}$

11.  $\frac{1}{3}, \frac{2}{7}, \frac{3}{14}, \frac{1}{6}$

12.  $\frac{2}{3}, \frac{4}{9}, \frac{5}{6}, \frac{7}{12}$

Below is a selection of some of the longest rivers in the world.

RIVER	LENGTH (miles)	LENGTH TO NEAREST 100 miles
Amazon	3976	
Mississippi	3902	
Nile	4132	
Ob	3364	
Yangtze	3917	
Yellow River	3395	
Yenisei	3445	

- Fill in the length of each river to the nearest 100 miles.
  - Write the rivers in length order, from smallest to largest below.
 

--	--	--	--	--	--	--	--
  - How much longer is the Mississippi than the Ob?
  - How much shorter is the Yellow River than the Nile?
  - What is the total length of the 3 longest rivers?
  - What is the difference in length between the longest and shortest river?
  - Which two rivers are closest in length?
  - Tyger says "The two longest rivers put together are longer than the three shortest rivers put together." Is he correct?
  - Circle the correct answer.
- The total length of all the rivers is about 10,000miles 20,000miles 25,000miles

## 51 Digital Mystery Video Games

### Heartbroken Heroes (multiplication)

- Clue 1: Repeated Addition  
 Link: <https://pro.kspingcloud.com/acc/ZrtoolwMYMAA/72620-Pvrb5:2m1OH-BZR21>  
 1<sup>st</sup> Password: savethepets
- Clue 2: Multiplication Facts (1-12)  
 Link: <https://pro.kspingcloud.com/acc/ZrtoolwMYMAA/72620-eV15G-DowE-wAH0x>  
 1<sup>st</sup> Password: savethepets45
- Clue 3: Multidigit Multiplication  
 Link: <https://pro.kspingcloud.com/acc/ZrtoolwMYMAA/72620-90v93-Xpml-MTRWA>  
 1<sup>st</sup> Password: petrescue101



### Super Bad Superheroes (combination of skills)

- Clue 1: Addition facts (1-20), Adding tens, subtraction facts (1-20), and subtracting tens  
 Link: <https://pro.kspingcloud.com/acc/ZrtoolwMYMAA/72620-6nIXe-6615-TAmXZ>  
 1<sup>st</sup> Password: super106
- Clue 2: Adding 50, Multiply numbers (double/triple-digit) by 10, Divide by 2 or 5, fraction models, and missing factors  
 Link: <https://pro.kspingcloud.com/acc/ZrtoolwMYMAA/72620-SM0SM-XzQv8-9W5ME>  
 1<sup>st</sup> Password: super104
- Clue 3: order of operations, multiply decimals by 10, 100, and 1,000, adding fractions with unlike denominators with fig. area, and adding/subtracting decimals  
 Link: <https://pro.kspingcloud.com/acc/ZrtoolwMYMAA/72620-UjP0tF-Fg88V-Hrade>  
 1<sup>st</sup> Password: super777



### Divided Dragons (division)

- Clue 1: division facts (2-12)  
 Link: <https://pro.kspingcloud.com/acc/ZrtoolwMYMAA/72620-rtkV-9adYE-oWmVv>  
 1<sup>st</sup> Password: dragon68
- Clue 2: divide multidigit numbers by single digit (with or without remainders)  
 Link: <https://pro.kspingcloud.com/acc/ZrtoolwMYMAA/72620-Vjg65-2genYw55or>  
 1<sup>st</sup> Password: fire721
- Clue 3: divide multidigit numbers by single or double digits (with or without remainders)  
 Link: <https://pro.kspingcloud.com/acc/ZrtoolwMYMAA/72620-2d4p-VH1Tv-1051S>  
 1<sup>st</sup> Password: ices24



### Jungle Jam (addition and subtraction)

- Clue 1: add and subtracting within 20 and single-digit numbers to double-digit numbers, add/subtract 10 from digit numbers, missing addends and subtrahends, comparing numbers and odd/even numbers.  
 Link: <https://pro.kspingcloud.com/acc/ZrtoolwMYMAA/72620-CwwTQ-XR0vY-8p5vq>  
 1<sup>st</sup> Password: jungle8276
- Clue 2: add and subtract double-digit and triple-digit numbers, missing addends and subtrahends (up to 200).  
 Link: <https://pro.kspingcloud.com/acc/ZrtoolwMYMAA/72620-fmly-wAVvT-Fxz86>  
 1<sup>st</sup> Password: jam228
- Clue 3: adding, subtracting, and comparing decimals  
 Link: <https://pro.kspingcloud.com/acc/ZrtoolwMYMAA/72620-kEV99-70d6-PPMQ8>  
 1<sup>st</sup> Password: junglejam

Create or find 3 math riddles that I could use to stump the class. Include the question and the answer. Try to make them challenging!

--	--	--

The following list contains some of our nearest stars, and their distance from our planet in light years.

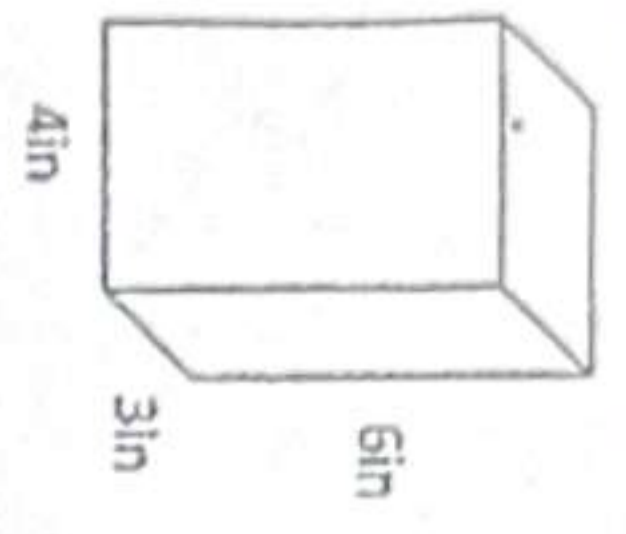
STAR	DISTANCE (light years)	DISTANCE (nearest light year)	ORDER OF STARS
Alpha Centauri A	4.37	4	
Barnard's Star	5.96		
Lalande 21185	8.29		
Procyon	11.4		
Proxima Centauri	4.24		
Ross 154	9.68		
Sirius A	8.58		
Wolf 359	7.78		

- 1) Write down the distance of each star from our planet to the nearest light year in the table.
- 2) Write down the order of stars from our planet, from 1 to 8, with 1 being the closest and 8 the furthest away.
- 3) How much further is Ross 154 away from us than Barnard's Star?
- 4) How much closer is Proxima Centauri to us than Wolf 359?
- 5) How much further is Procyon away from us than Sirius A?
- 6) Tyger says "The distance to Proxima Centauri and back is less than the distance to Sirius A." Is this true?
- 7) Tyger says "In the time it takes light to travel from Earth to Procyon, it could get to Barnard's Star and back again." Is he correct?

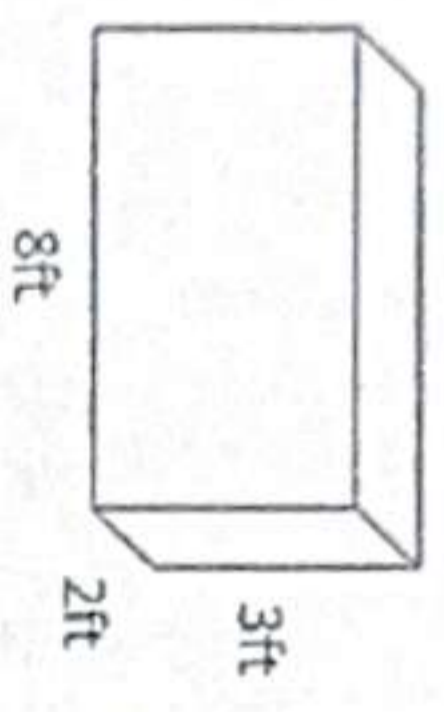
Find 3 recipes (online or from a cookbook) and record all the fractions used in the recipe. Include the name of the recipe and ingredient with the fraction.

Find the volume of these rectangular prisms. They are not to scale!

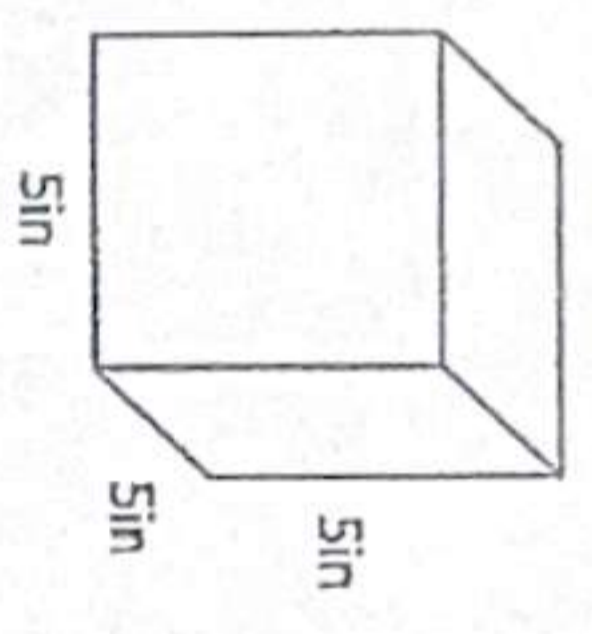
$$V = l \times w \times h$$



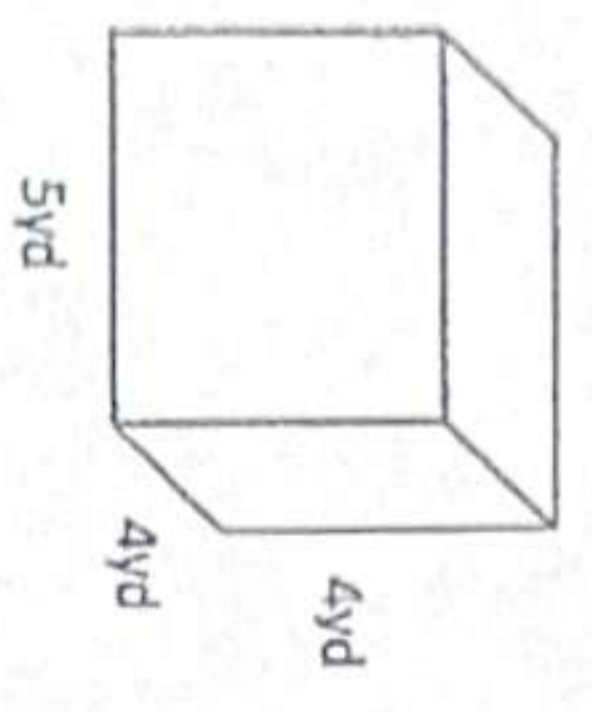
Volume =



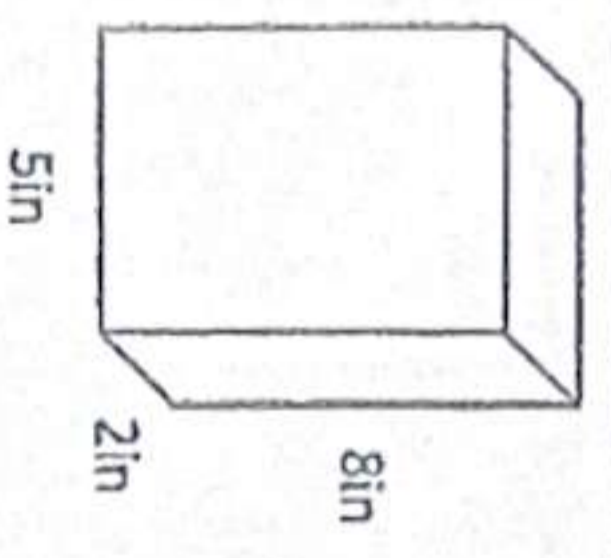
Volume =



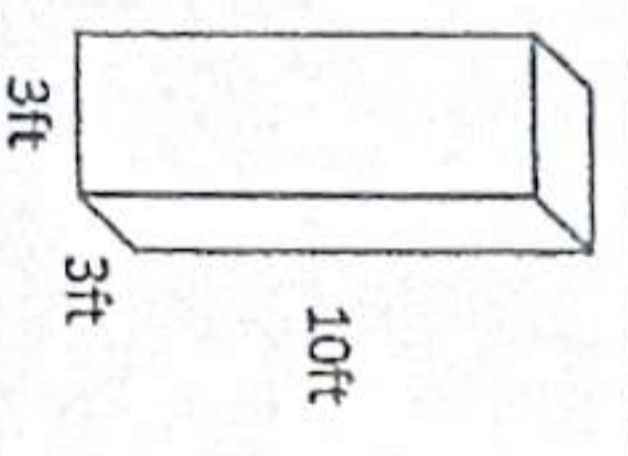
Volume =



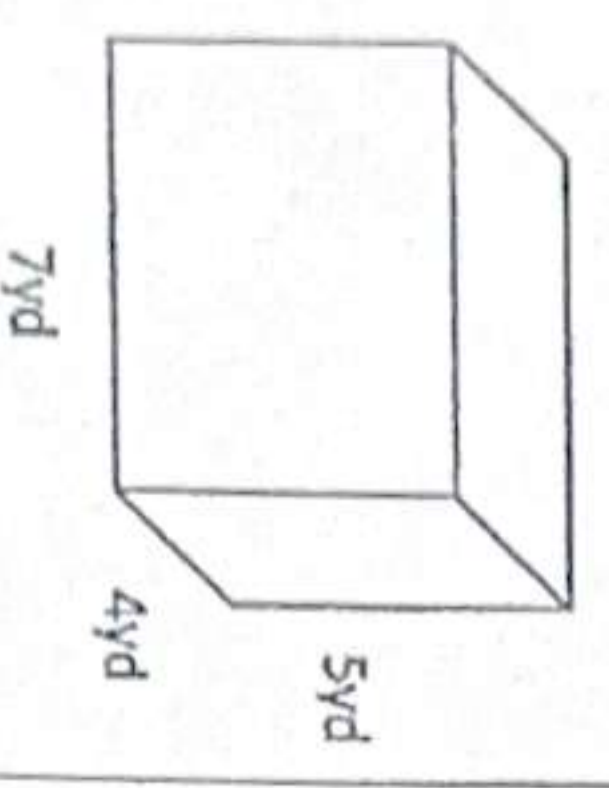
Volume =



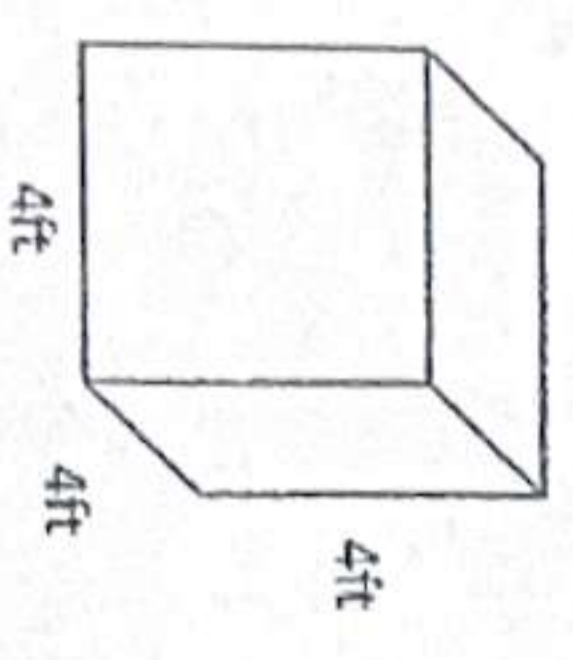
Volume =



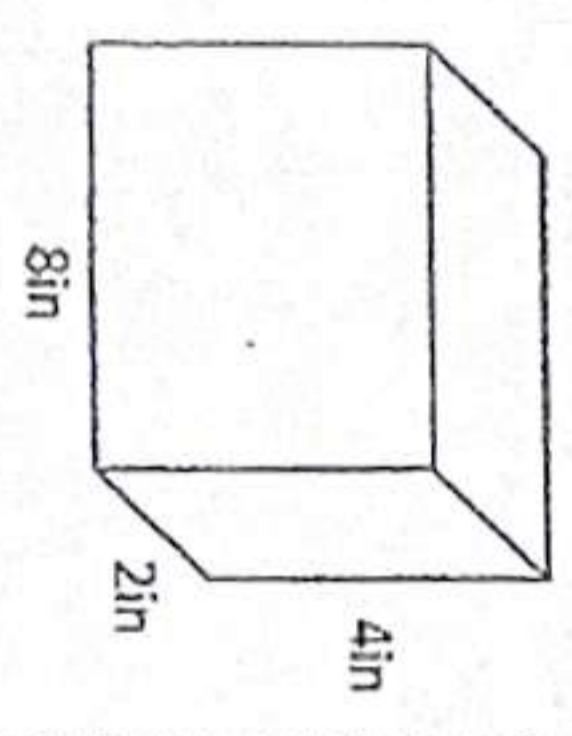
Volume =



Volume =



Volume =



Volume =

Find the value of the following exponents.

1.  $6 \times 10^2$

2.  $4 \times 10^3$

3.  $7 \times 10^5$

4.  $9 \times 10^4$

5.  $2 \times 10^8$

Rewrite the following numbers using powers of ten.  
For example,  $800 = 8 \times 10^2$

1. 100,000

2. 5,000

3. 70,000

4. 900

5. 40

## Escape Rooms

Add, Subtract, Multiply, and Divide Decimals

Link: <http://bit.ly/2XDJP2c>

Operations with Fractions

Link:

[https://docs.google.com/forms/d/e/1FAIpQLSeOWue655bvcRiUqVZLxvIYQG5bls3ECa3QF\\_XlqQ3PwIA3VA/viewform](https://docs.google.com/forms/d/e/1FAIpQLSeOWue655bvcRiUqVZLxvIYQG5bls3ECa3QF_XlqQ3PwIA3VA/viewform)

Measurement Conversions (metric and customary)

Link: <http://bit.ly/2X8k0i8>

Dividing by Unit Fractions

Link:

<https://docs.google.com/forms/d/e/1FAIpQLSf6WddXKvQouvvBnb3tWwmsi0cWDTg8drowaag8F59-oddaqXA/viewform>

Volume

Link: <http://bit.ly/32wN0ri>

Measurement, and Data

Link:

[https://docs.google.com/forms/d/e/1FAIpQLStfhik0Pj35hksYLcG8u8DtO6h8h98el\\_xEIRDvkeo22-ADNvw/viewform](https://docs.google.com/forms/d/e/1FAIpQLStfhik0Pj35hksYLcG8u8DtO6h8h98el_xEIRDvkeo22-ADNvw/viewform)

Numerical Patterns and Graphing

Link: <http://bit.ly/2K55zvX>

Line Plots

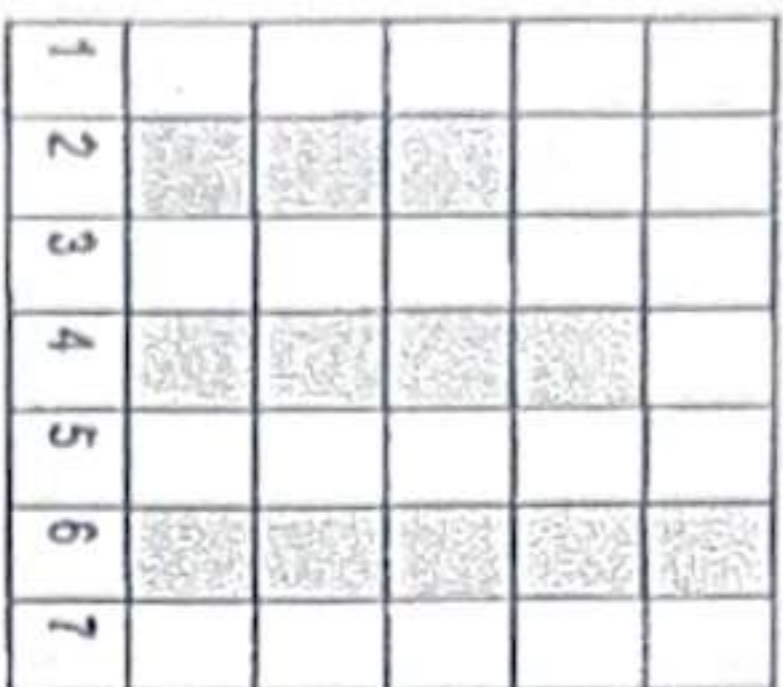
Link:

<https://docs.google.com/forms/d/e/1FAIpQLSf6LBMHytilni86rCKoLBQ3-nzovkaBSjGILU3JIQHxW42-OCa/viewform>

Multiply the number of doors in your house by the number of TVs in your house. Then, divide by the number of toilets in your house. Write this out as a number sentence and solve. Ex. I have 13 doors in my house. I have 3 TVs and I have 2 toilets.  
 $(13 \times 3) \div 2 = 19.5$

# Measurement Conversion Word Problems - Length/Distance

1. Zach made a chart to show how many mm his plant grew each week for 7 weeks. Each block equals 5 mm of growth. How tall is the plant?



centimeters

3. Trudy wants to surround her garden on all four sides with fencing. Her rectangular garden is 270 cm by 130 cm. How many meters of fencing will she need?

meters

2. Susie begins a new walking program with 600 m on the first day. Each day, she will increase her walk by 200 m. How many kilometers will she walk on day 18 of her program?

kilometers

4. Jin is training for the 50 meter dash. Each day that he trains, he runs the dash six times. Last week, he trained for four days. This week, he trained for five days. In two weeks, how far has Jin run?

kilometers

Daniel has 1615 Skittles stored in boxes. If there are 85 boxes, how many Skittles must go in each box?

ANSWER:

There are 3 crayons in each box. How many crayons are in 36 boxes?

ANSWER:

The school is planning a field trip. There are 4941 students and 61 seats on each school bus. How many buses are needed to take the trip?

ANSWER:

Each candy costs \$3.00. How much do 75 candies cost?

ANSWER:

Each orange costs \$27.00. How much do 4 oranges cost?

ANSWER:

# Averages

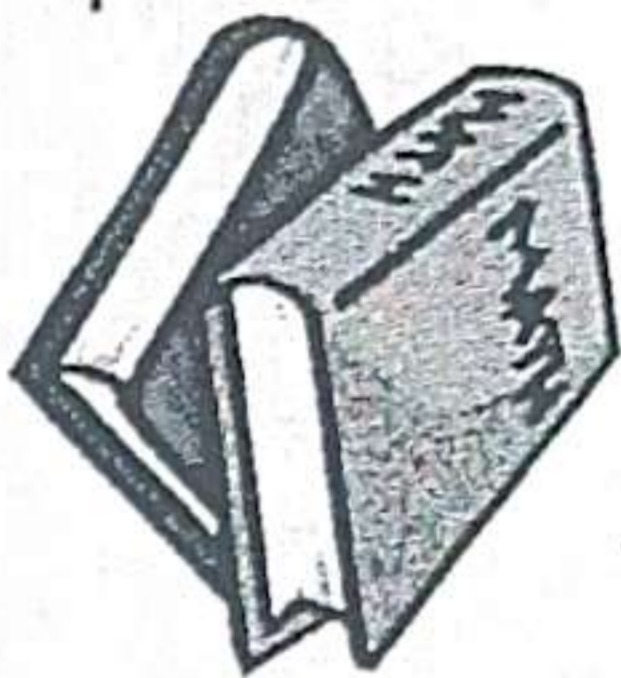
Here's how you can find the average, or mean, of a set of numbers.

- Step 1: Find the sum of the numbers.
- Step 2: Divide the sum by the number of addends.

Find the average of these numbers: 6, 2, 9, 7

Step 1:  $6 + 2 + 9 + 7 = 24$

Step 2:  $24 \div 4 = 6$



Find the averages.

Show your work and write your answer on the line.

a. 6, 5, 7

avg:

b. 6, 3, 3

avg:

Clayton plays basketball on a team. He has played three games so far. In the first game, he scored 10 points. In the second game, he scored 14 points. In the third game, he scored 6 points. What is Clayton's average points per game?

answer:

Mandy earns money by delivering groceries. She earned \$4 on Monday, \$7 on Tuesday, \$5 on Wednesday, \$4 on Thursday, and \$5 on Friday. What is the average amount of money Mandy earned per day?

answer:

1. Gretchen spends  $\frac{1}{2}$  an hour grooming Hobo and  $\frac{1}{3}$  of an hour riding Hobo. How much time did she spend with Hobo?

2. Hobo ate  $\frac{4}{4}$  of an apple on Wednesday and  $\frac{4}{4}$  of an apple on Friday. How many apples did he eat?

3. Cliff collects marbles.  $\frac{1}{2}$  of his collection is blue. Of the blue marbles  $\frac{1}{2}$  of these are a dark blue. How much of Cliff's marble collection is dark blue?

4. Toni ran  $\frac{3}{3}$  of a mile. Sherrie ran  $\frac{2}{3}$  of mile. How much farther did Toni run than Sherrie?

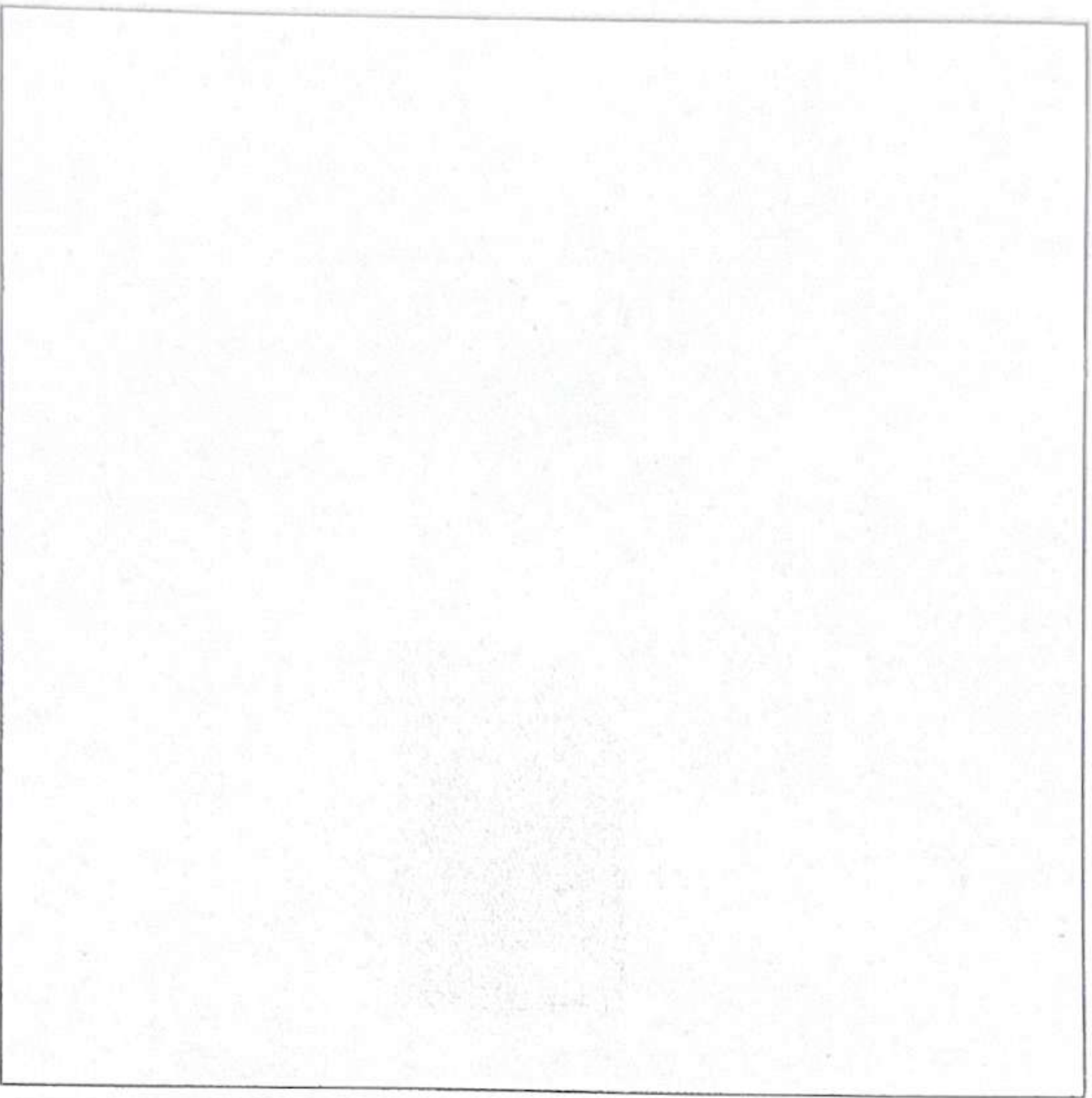
5. Tina lives  $\frac{2}{4}$  of a mile from the library. Sonya lives  $\frac{1}{4}$  of a mile from the library. Who lives the farthest away and by how much?

6. How many thirds are in  $\frac{1}{3}$ ?

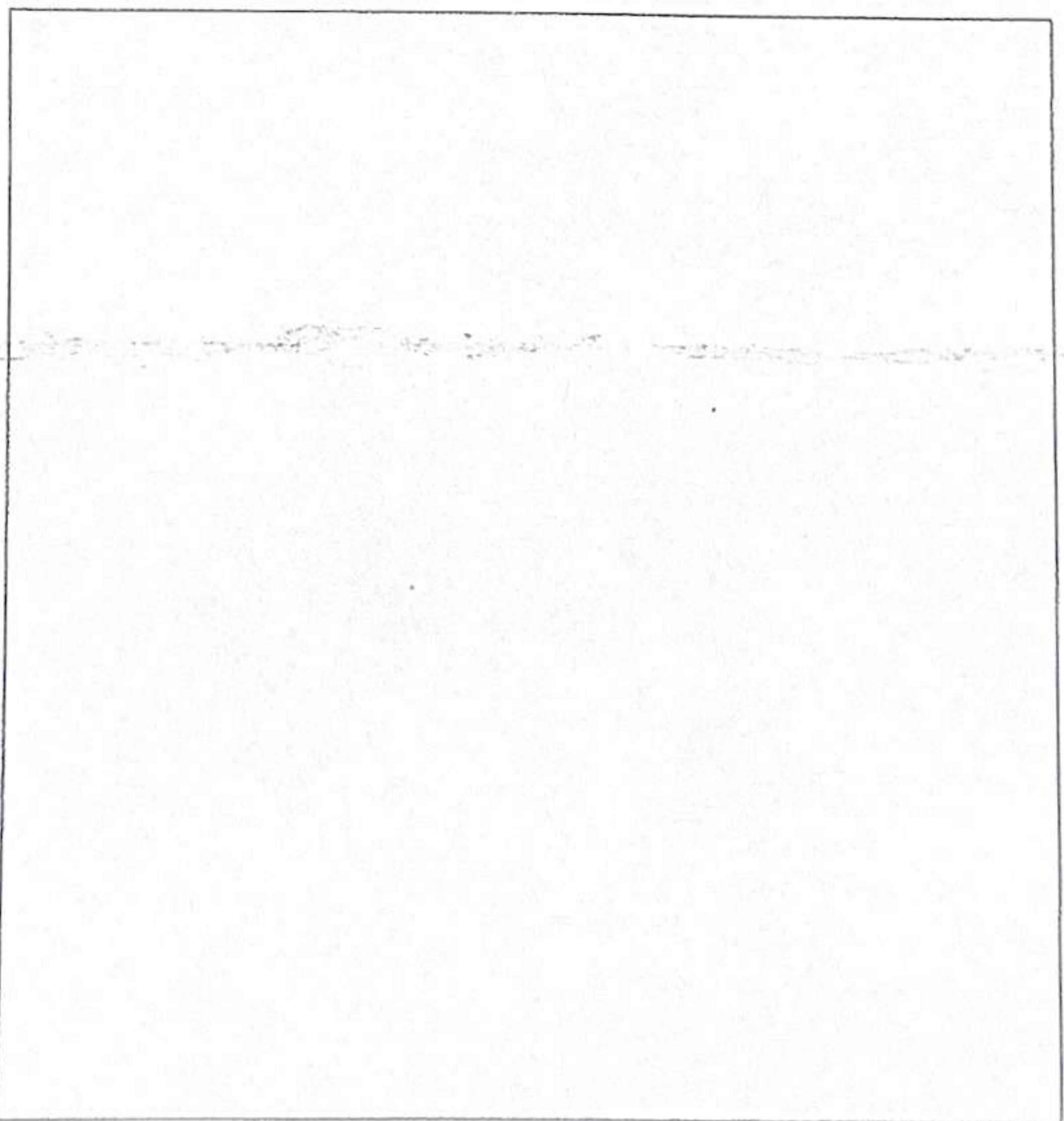
7. How many days will a bale of hay last if  $\frac{1}{3}$  of the bale is used each day?



Calculate your age! Use your birthday and figured out how many days, hours, minutes and seconds old you are. Remember there are 60 seconds in a minute.



Calculate the area, perimeter and volume of a room in your house. Area = length x width, perimeter = add up all the sides, volume = length x width x height. Use a tape measure to get the most accurate measurements. Show your work below!





### Over the Rainbow (combination of skills)

Clue 1: add and subtract within 20, adding 3 numbers, missing addends, telling time, place value (10s and 1s), adding subtraction 10

Link: <https://pro.ispringcloud.com/acc/Zz1oo0wM1VMA/s/22620-0a2Z1-FMw+N-JHTER>

1<sup>st</sup> Password: rainbow247

Clue 2: add and subtract within 1,000, multiplication and division facts (1-12), telling time, place value blocks, missing (up to 200), and missing factors (1-12)

Link: <https://pro.ispringcloud.com/acc/Zz1oo0wM1VMA/s/22620-NDKsn-U4cFl-DRKAY>

1<sup>st</sup> Password: stpats5

Clue 3: adding, subtracting, and multiplying decimals, dividing 3-digit numbers by single and double-digit numbers, order operations, volume, angles, multiply a decimal by a single-digit number, and fraction of a number.

Link: <https://pro.ispringcloud.com/acc/Zz1oo0wM1VMA/s/22620-AMMMS-pMeSn-IE0G>

1<sup>st</sup> Password: shamrock



### Raiders of the Lost Egg (combination of skills)

Clue 1: double-digit addition and subtraction, shapes, comparing numbers, odd/even, doubles, missing addends, divide by 2 (facts 1-12)

Link: <https://pro.ispringcloud.com/acc/Zz1oo0wM1VMA/s/22620-RAH7F-RhZ00-rZvin>

1<sup>st</sup> Password: raider721

Clue 2: triple-digit addition and subtraction, shapes, prime numbers, odd/even, half, double, multiples, multiplication and division facts (1-12), and square numbers (1).

Link: <https://pro.ispringcloud.com/acc/Zz1oo0wM1VMA/s/22620-pE3f-3ZSVs-M04uj>

1<sup>st</sup> Password: lostegg24

Clue 3: adding decimals, triple-digit subtraction, multiplication and division facts (1-12), and square numbers (1).

Link: <https://pro.ispringcloud.com/acc/Zz1oo0wM1VMA/s/22620-rXoD-wBAAU-88nus>

1<sup>st</sup> Password: rabbit437

Calculate the total number of seconds that are in a normal school day? Use 8:30 am – 3:15 pm as your typical day. Then figure out how many seconds are in a school week (5 days) and a school year (180 days). Show all your calculations below!

