



# PX-150




## Product Overview

Designed to be aesthetically pleasing, the PX-150 is powered by Intel's 4th generation, low energy chipset which allows silent, fanless operation. It delivers optimum performance to support the world's leading retail PoS applications, running on all variants of Windows 7, 8.1 and 10.

As the motherboard and screen are combined in the head of the unit, the PX-150 can be mounted on a stand, wall or pole to offer complete flexibility over the choice of location in store. The bezel free screen supports both resistive and P-CAP touch technologies to allow ease-of-use for staff and customers.

All components have been carefully selected to deliver outstanding build quality, reliability and performance. Further, service and maintenance access is not compromised as the storage and peripheral options can be easily and quickly replaced.

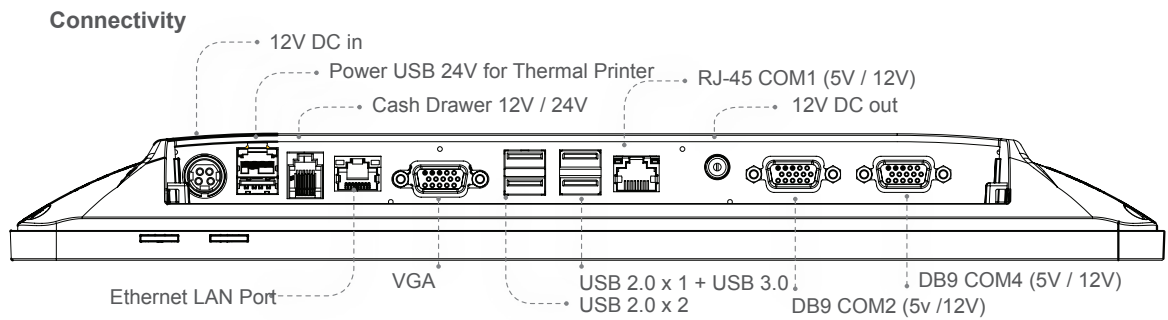
## Features

-  Windows 7, 8.1 and 10 compatible
-  Ultra-slim, small footprint design
-  Silent fanless operation
-  Bezel free 15" P-CAP or Resistive touch screen
-  Rich I/O and a wide range of integrated peripherals
-  Easy to replace storage and peripheral options
-  Flexible counter, wall or pole mounting options

Cielo PX-150		
Motherboard	Processor	Intel Celeron J1900 (Bay Trail) 2.4GHz (fanless)
	RAM	1 x DDR3L-1333 4GB (8GB max)
	Storage	128GB SSD
	Graphic Engine	Intel HD
Touch Panel	Size/Type	15" TFT-LED
	Touch Screen	5-wire Resistive or 10 point P-CAP
	Brightness	350cd/m2
	Resolution	1024 x 768
Expansion	Mini PCI-E Socket	1 (Internal/USB + PCI-E x 1)
I/O Ports	USB	1 x USB3.0, 4 x USB2.0 Additional 2 x USB2.0 (optional)
	Powered USB	1 x 24V Additional 2 x 12V without 12V DC Jack (optional)
	Serial	1 x COM1 RJ45 with RI/5V/12V Selectable Additional COM2 & COM4 (DB9) available with RI/5V/12V Selectable (optional)
	LAN	1 x RJ45 Gigabit LAN
	Cash Drawer	1 x RJ11 (12V/24V)
	Video	1 x VGA
	DC Jack	1 x 12V DC Jack 2.5mm
	Audio	Internal Speaker
Power	Power Adapter	150W/12V
Peripherals (optional)	MSR	3-Track MSR (USB) - also available as a Combo Reader with iButton, Fingerprint or RFID capabilities
	iButton	iButton (USB) - also available as a Combo Reader with MSR capabilities
	Fingerprint	Fingerprint Reader (USB) - also available as a Combo Reader with MSR capabilities
	RFID	RFID Reader (USB) - also available as a Combo Reader with MSR capabilities
	Secondary Displays	Integrated LCM Pole Type LCM / VFD / 2nd Monitor - 2 x 20, 8.4" and 10.4" options
Weight and Dimensions	Weight (kg)	4.9kg (with base), 3.2kg (without base)
	Dimensions (W x H x D)	366 x 334 x 220 mm (with base), 366 x 293 x 40 mm (without base)
Operating Systems	Supported OS	All variants of: Windows 7, Windows 8.1 and Windows 10



Features and Accessories



For more information visit [www.happypos.co.uk](http://www.happypos.co.uk)  
 or to place an order contact:  
[sales@happypos.co.uk](mailto:sales@happypos.co.uk)