



VariPAD

Detail Make
the Difference

W PLUS





Detail features

- Energy saving CPU: Intel® Atom X7-Z8750
- 7" & 10.1" P-Cap touch screen with IP 54 waterproof certification
- Windows OS/ Android Available
 - Real-time data transmission by WiFi/ Bluetooth
 - 8,000mAh swappable battery for heavy work operations
 - Built-in Integrated MSR, 8MP camera, NFC Module
 - Optional Modules Available: Smart Card Reader, Fingerprint reader, 1D/2D QR Code Scanner
 - PB45 I/O Expansion Cradle gives additional connectivity
 - Hand strap and holster to ensure security
 - Satisfies 1.2m Drop Test
 - Lightweight – Only 0.66kg (W1) or 0.93kg (W2)



Android 4.4.4 / Windows OS



Features

Dual OS Support

Available with either Windows or Android platforms.



Built to Last

VariPAD W Plus was developed for durability with IP54 rated protection against liquid & dust ingress and impact resistance to survive the 1.2 m drop.



Scan, Sell & Assist Customers Directly

A Mobile Sales Assistant for direct interaction with customers on the shop floor/ Inventory/Stock-taking Device with integrated 1D/2D Scanner; or an Order Entry Device.



Long Life Swappable Battery for 24/7 Operations

VariPAD W's 8,000mAh Battery Pack provides long operation and is swappable for 24/7 operations.



Peripheral Products

VariPAD W1 2nd Cradle
Vari / Tori Series



Charging Dock



Docking Station



Docking Station with Pole



Holst
7" only



Hand Strap



5 in 1 Charging Cradle

Ordering Information

VariPAD W Plus

- VariPAD W1 Plus
- VariPAD W2 Plus
- VariPAD W1a Plus
- VariPAD W2a Plus

7" 1280 x 800 LCD, Intel® Atom X7-Z8750 Quad-Core 1.6GHz (up to 2.56GHz), Windows 10 IoT 2016
10.1" 1920 x 1200 LCD, Intel® Atom X7-Z8750 Quad-Core 1.6GHz (up to 2.56GHz), Windows 10 IoT 2016
7" 1280 x 800 LCD, Intel® Atom X7-Z8750 Quad-Core 1.6GHz (up to 2.56GHz), Android 7.0
10.1" 1920 x 1200 LCD, Intel® Atom X7-Z8750 Quad-Core 1.6GHz (up to 2.56GHz), Android 7.0



Atom X7-Z8750



Windows 10 IoT



Android 7.0



Wireless LAN



Rugged Design



1.2m Resistant Drops



Fingerprint



Bluetooth



NFC



Specification

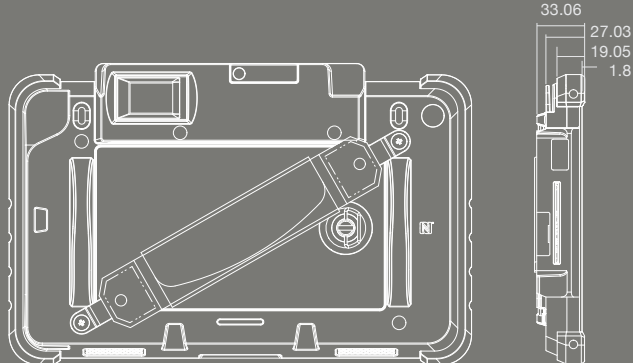
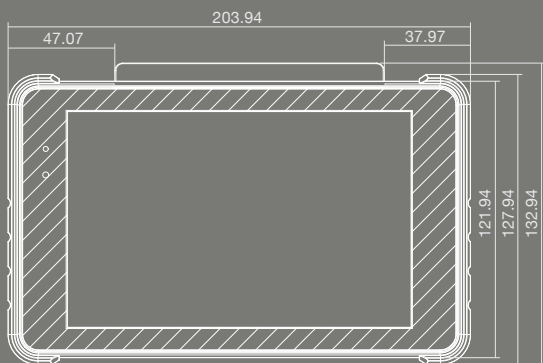
Model Name		● VariPAD W1 Plus	● VariPAD W2 Plus
Main Board	CPU	Intel® Atom X7-Z8750 Quad-Core 1.6GHz (up to 2.56GHz)	
	System Memory	4GB LPDDR3	
	Flash Memory	64GB eMMC	
LCD Touch Panel	LCD Size	7"	10.1"
	Resolution/Brightness	1280 x 800 (WXGA), 300 nits	1920x1200 (WUXGA), 380nits AUO
	Touch Screen	P-CAP 5 points Multi-touch (EETI)	
Wireless Networking	Wireless LAN	802.11 a/b/g/n, ac 2.4G / 5GHz (Realtek WU-A101B-S)	
	Bluetooth	4.0+LE, Class 2 (Bluetooth® Low Energy)	
	NFC	Yes	
Expansion I/O Ports	Micro SD Socket (Optional)	NA	
	DC input	6 pin	
Audio	Speaker	1W x 1 Speaker	1W x 2 Speaker
Control / Indicator	Power Button	1	
	Sensor	G-sensor, Ambient Light Sensor	
	Vibration	Built-in vibrating motor	
	LED Indicator	1 (Battery status indicator)	
Peripheral / Interface	Camera	8M pixel (Rear side)	
	MSR	3 Tracks MSR USB	
	Barcode scanner	1D/2D Barcode Scanner USB honeywell	
	Holster	Holster (Optional)	
	Combo Module	Smart IC Card Reader (Idtech/mini smart II)+ 1D/2D Barcode Scanner (Combo Module Optional)	
Cradle*6	USB Port	USB 2.0 x 1 (OTG)	
	Power Adapter	12W / 5V	
Battery & Power	Battery	8000 mAh, 3.7V, 29.6 Wh	
Certificate		FCC Class B / CE Mark	
		CE, FCC, RoHS	
Environmental Condition	Sealing	IP54 (display side)	
	Fall Security	1.2 M drop, 1 drop per side at 25 °C	
	Storage Temperature	0° ~ 40°C (32° ~104°F,Not in charging mode), 0° ~ 35°C (32° ~ 95°F,running charging mode)	
	Operating Humidity	20% ~ 80% RH non-condensing	
	Storage Humidity	20% ~ 80% RH non-condensing	

Model Name		● VariPAD W1 Plus	● VariPAD W2 Plus
Dimension (W x H x D mm)		204 x 128 x 35.3 mm	268 x 176 x 35.6 mm
Weight		665g (1.47lbs) / Max 690g (1.52lbs) (with all peripherals)	930g (2.05lbs) / Max 990g (2.18lbs) (with all peripherals)
Operating System		Win10 2016 (64bit), Android 7.0	
2nd display Cradle	USB Port	micro-USB 2.0 x 1	micro-USB 2.0 x 1
	Application Model	Vari / Tori seires	Vari / Tori seires
Carton		L 400 x W 220 x H100 mm	

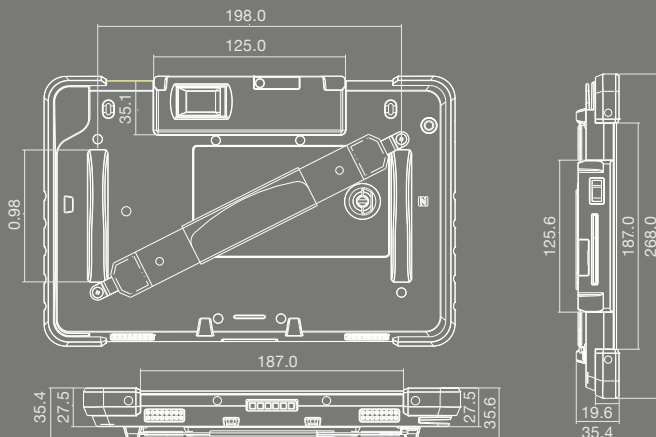
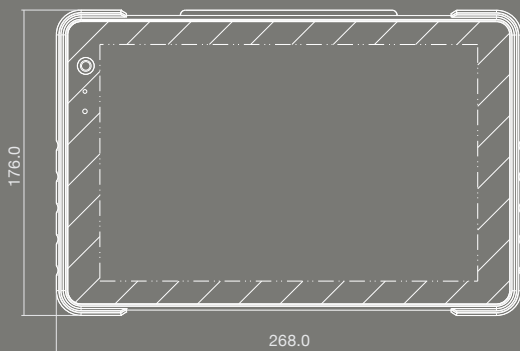
* The right has been reserved to change the specification without prior notice

Dimensions

VariPAD W1



VariPAD W2





sales@happypos.co.uk

www.happypos.co.uk