

ZEO

INFINITELY CLEVER



CONFIGURATIONS



ZEO190B



ZEO190W



Black



White

ZEO190

Cooling	FANLESS
Touch panel	14" True Flat Multi-Touch (PCAP)

SPECIFICATIONS

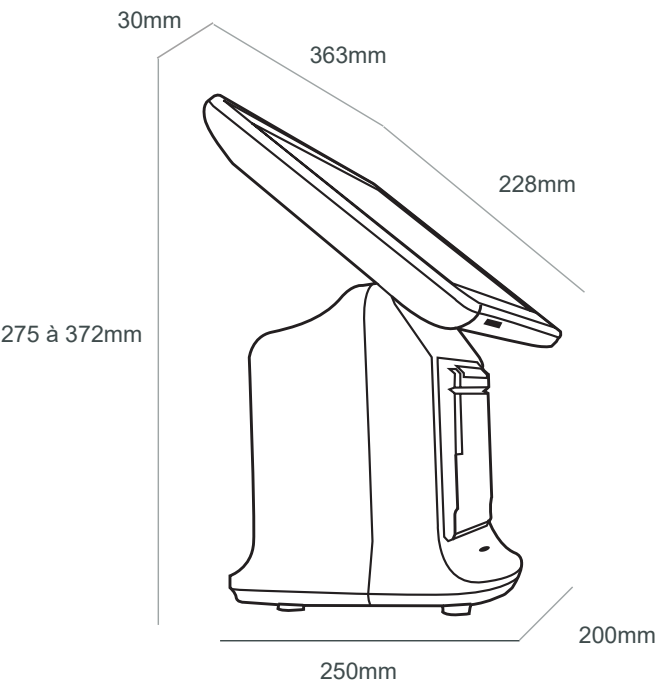
Processor	Intel Bay Trail Quad Core J1900
Graphic controller	Intel HD
Network controller	Realtek PCIe GBE
I/O controller	Winbond NCT6106D
Graphic memory	Shared
RAM memory	1 x DDR3 4Go SO DIMM ~ 8Go FSB1333/1666Mhz
SSD	60GB Half-Slim
Screen	14" Wide 16/9 LED
Resolution	1366 x 768
I/O button	Tranche de l'écran
24V output	1 (Auto power printer ticket)

INPUT/OUTPUT

Network	1 x 1 Gb
USB 2.0 in front	1
USB 2.0	4
Serial COM RS232	3 x COM (COM3 RJ48 COM+5V/+12V)
Cash drawer	1 x 12V/24V
LED Power	1
External power	100~240AC (50~60Hz) 19VDC 3.42A 120W

OPTIONS

Integrated Customer Display	
ISO 1/2/3 Magnetic Stripe Readers	
Dallas reader (I-BUTTON)	
2 nd screen 10"	
Storage	Half-Slim 120
Integration slot reader	2
NFC reader	1



VARIOUS

Dimensions l x L x H	363 x 228 x 275 à 375mm
Embase	250x200mm
Weight	5,75kg
Colours	black or white
Setup	Horizontale de 0° à 75°
Certifications	FCC/CE Class A, LVD
Operating temperature	0°C ~ 35°C
Storage temperature	-10°C ~ 50°C
Humidity	20% ~ 85% without condensation

PACKAGING

Unit	1
Dimensions l x L x H	400 x 500 x 340mm
Weight	8.3kg

OS COMPATIBLES

PosReady 7 (32 bit/64 bit) - Win 7 Pro (32 bit/64 bit)
Win 10 ENTRY (32 bit/64 bit)

TP85

Print method	Thermal
Effective print width	72mm
Print speed	250mm/s 59 lines/s
Points	203DPI
Paper loading	automatic
Emulation	Esc / Pos

For more information: TP85 product sheet

OPTIONS



Specifications are subject to change without notice. © OXHOO 2020

Distributed by



Happy POS

www.happypos.co.uk
sales@happypos.co.uk
01298 445100

OXHOO UK Ltd
14 Seymour Ct, Runcorn WA7 1UZ, United Kingdom
Phone: +44 1928 579824
contact@oxhoo.com - www.oxhoo.com

