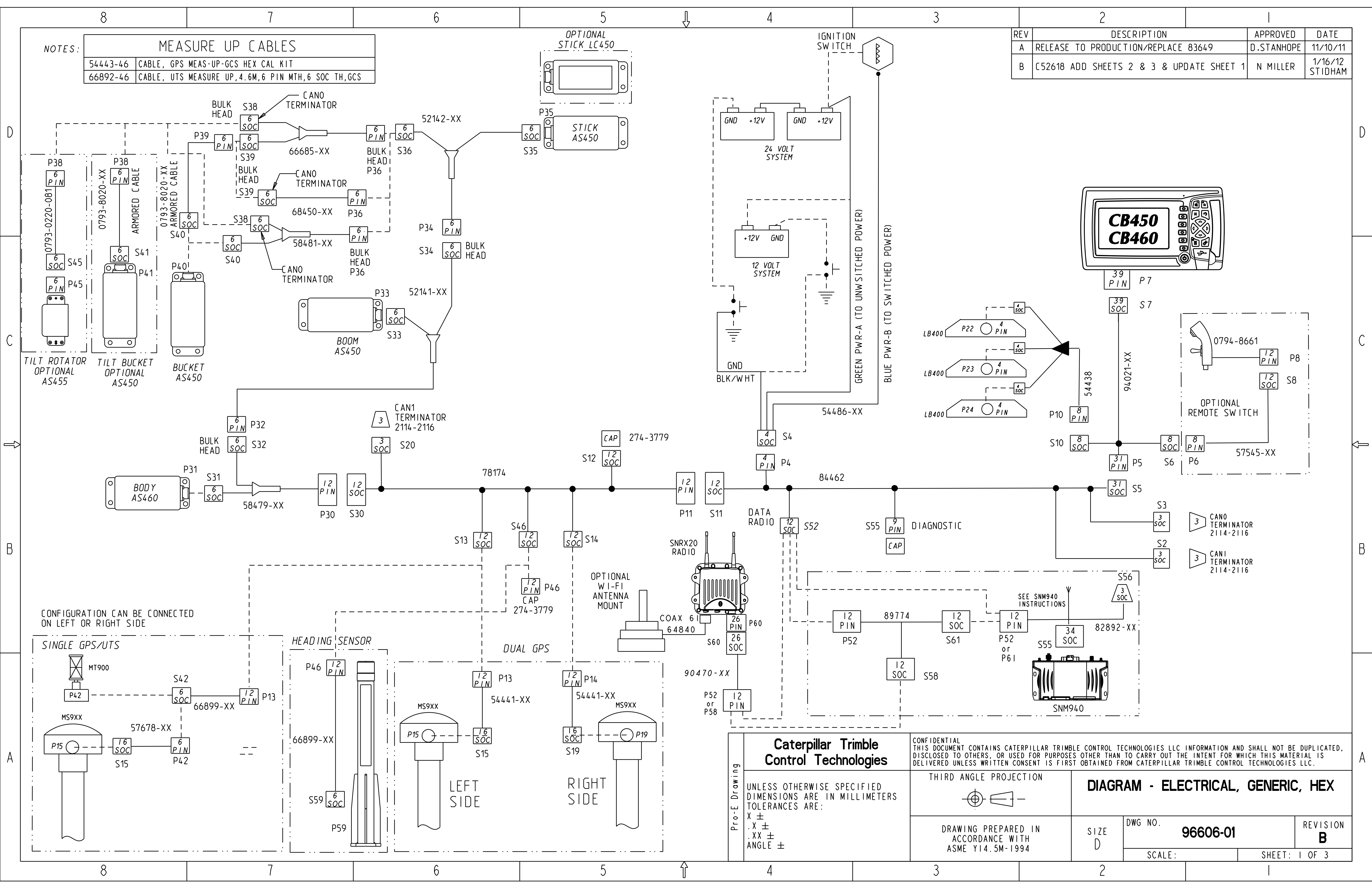


REV	DESCRIPTION	APPROVED	DATE
A	RELEASE TO PRODUCTION/REPLACE 83649	D.STANHOPE	11/10/11
B	C52618 ADD SHEETS 2 & 3 & UPDATE SHEET 1	N MILLER	1/16/12 STIDHAM

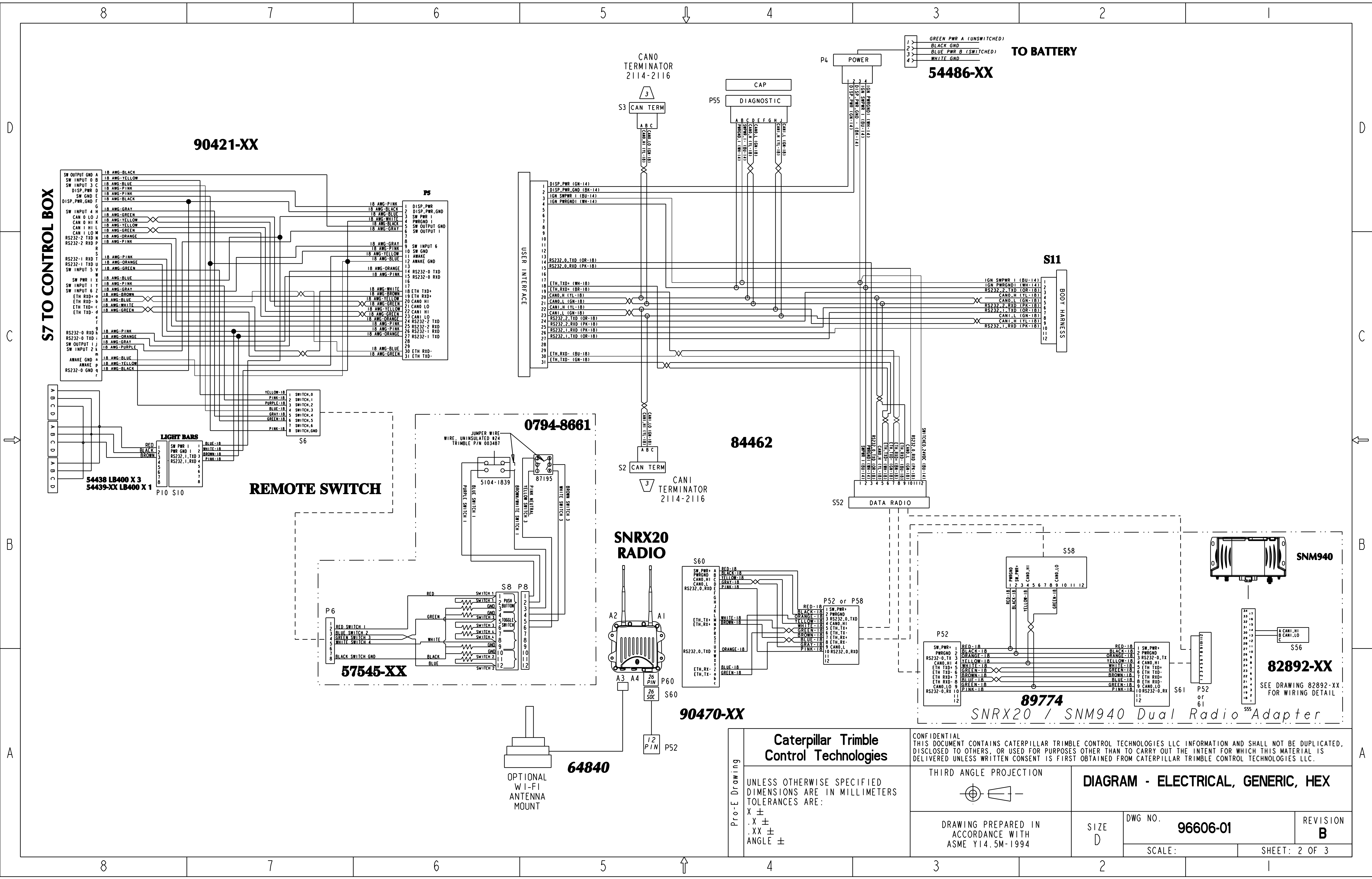
NOTES:

MEASURE UP CABLES	
54443-46	CABLE, GPS MEAS-UP-GCS HEX CAL KIT
66892-46	CABLE, UTS MEASURE UP, 4.6M, 6 PIN MTH, 6 SOC TH, GCS



CONFIGURATION CAN BE CONNECTED ON LEFT OR RIGHT SIDE

Pro-E Drawing	Caterpillar Trimble Control Technologies		CONFIDENTIAL THIS DOCUMENT CONTAINS CATERPILLAR TRIMBLE CONTROL TECHNOLOGIES LLC INFORMATION AND SHALL NOT BE DUPLICATED, DISCLOSED TO OTHERS, OR USED FOR PURPOSES OTHER THAN TO CARRY OUT THE INTENT FOR WHICH THIS MATERIAL IS DELIVERED UNLESS WRITTEN CONSENT IS FIRST OBTAINED FROM CATERPILLAR TRIMBLE CONTROL TECHNOLOGIES LLC.	
	UNLESS OTHERWISE SPECIFIED DIMENSIONS ARE IN MILLIMETERS TOLERANCES ARE: X ± .X ± .XX ± ANGLE ±		THIRD ANGLE PROJECTION 	DIAGRAM - ELECTRICAL, GENERIC, HEX
	DRAWING PREPARED IN ACCORDANCE WITH ASME Y14.5M-1994		SIZE D	DWG NO. 96606-01
		SCALE:	SHEET: 1 OF 3	



S7 TO CONTROL BOX

D

C

B

A

D

C

B

A

90421-XX

CAN0 TERMINATOR
2114-2116

GREEN PWR A (UNSWITCHED)
BLACK GND
BLUE PWR B (SWITCHED)
WHITE GND
54486-XX
TO BATTERY

S11

REMOTE SWITCH

0794-8661

84462

SNRX20 RADIO

90470-XX

64840

SNM940

82892-XX

89774

SNRX20 / SNM940 Dual Radio Adapter

**Caterpillar Trimble
Control Technologies**

CONFIDENTIAL
THIS DOCUMENT CONTAINS CATERPILLAR TRIMBLE CONTROL TECHNOLOGIES LLC INFORMATION AND SHALL NOT BE DUPLICATED,
DISCLOSED TO OTHERS, OR USED FOR PURPOSES OTHER THAN TO CARRY OUT THE INTENT FOR WHICH THIS MATERIAL IS
DELIVERED UNLESS WRITTEN CONSENT IS FIRST OBTAINED FROM CATERPILLAR TRIMBLE CONTROL TECHNOLOGIES LLC.

Pro-E Drawing
UNLESS OTHERWISE SPECIFIED
DIMENSIONS ARE IN MILLIMETERS
TOLERANCES ARE:
X ±
.X ±
.XX ±
ANGLE ±

THIRD ANGLE PROJECTION

DIAGRAM - ELECTRICAL, GENERIC, HEX

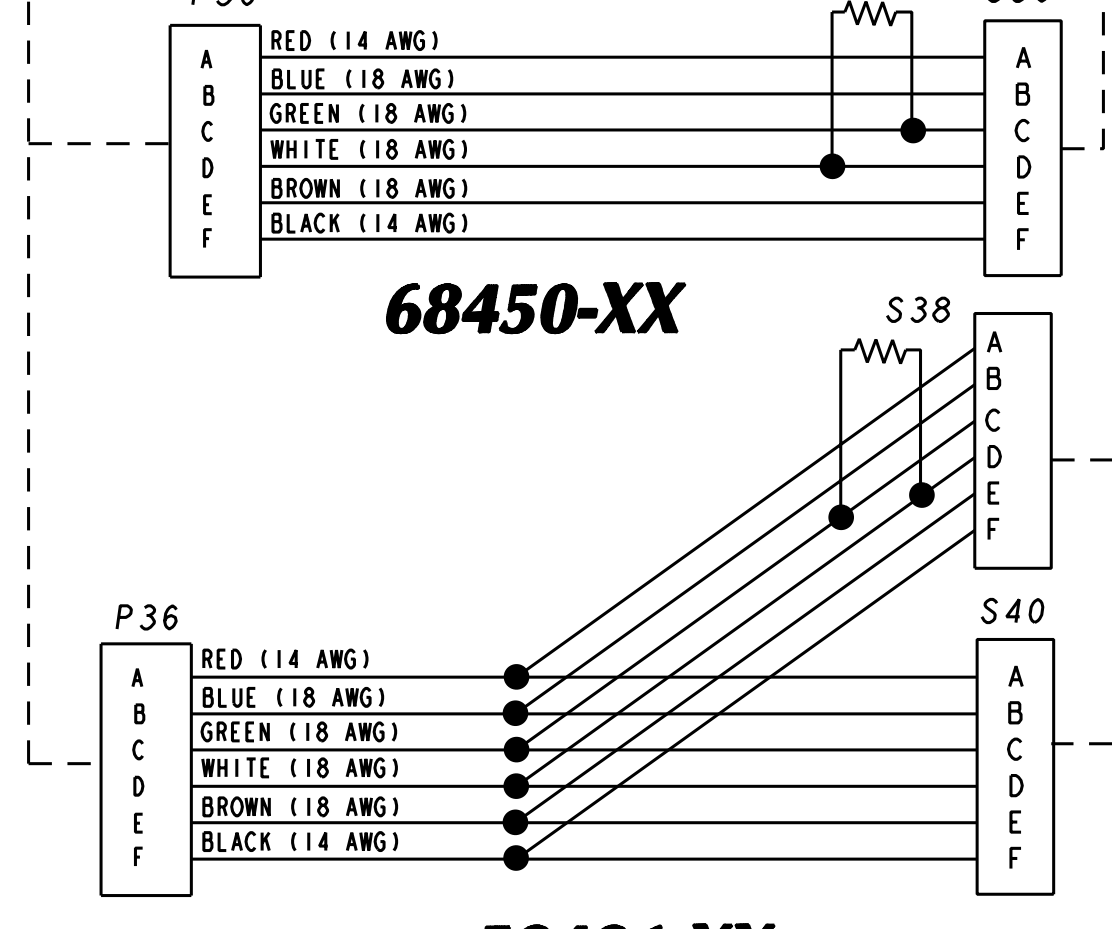
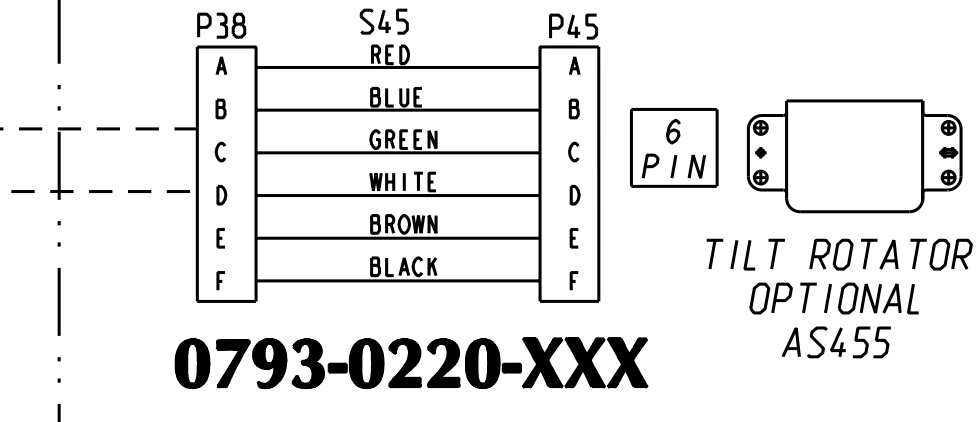
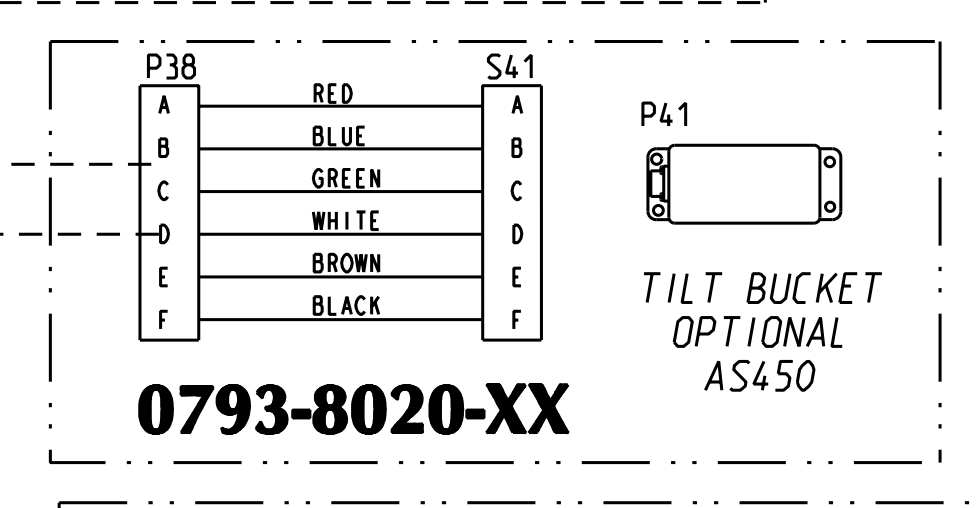
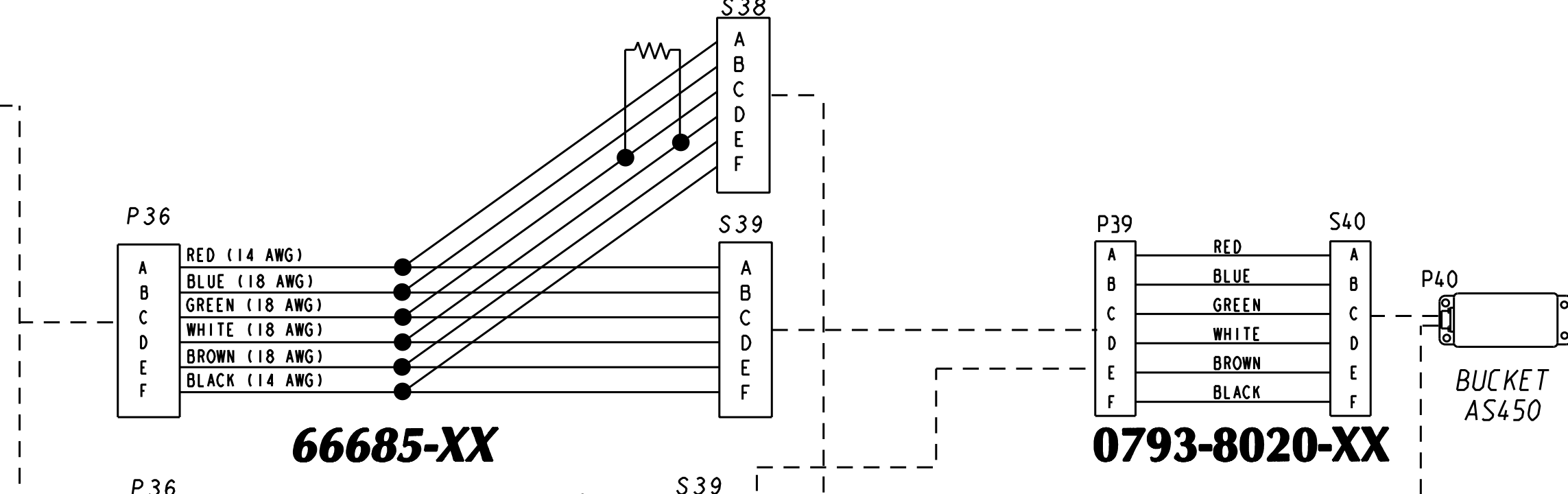
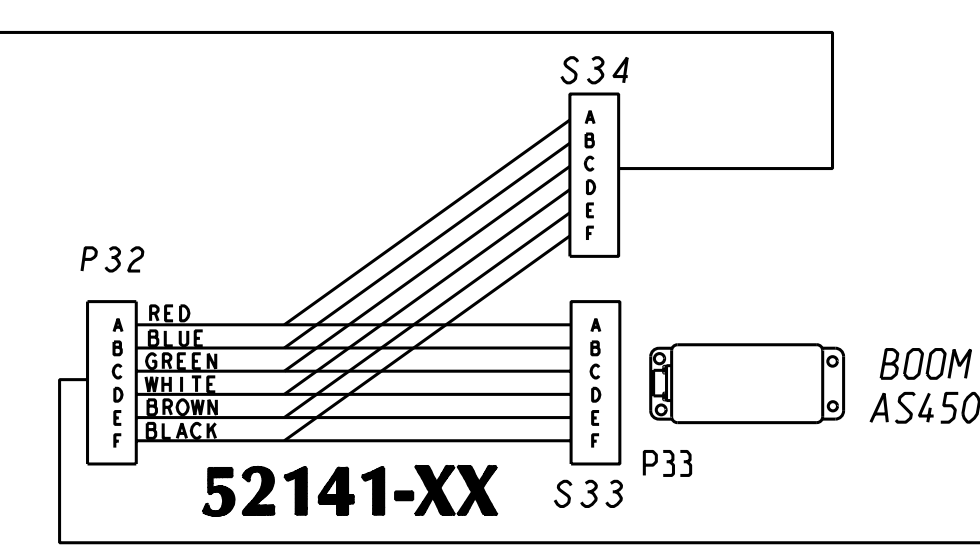
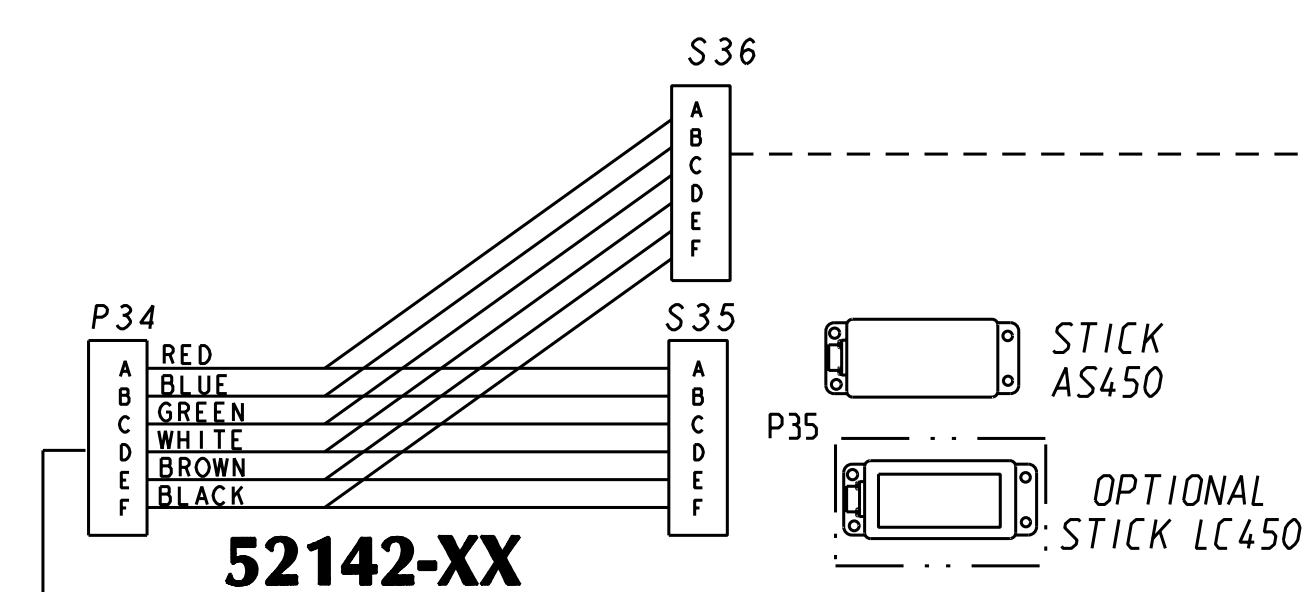
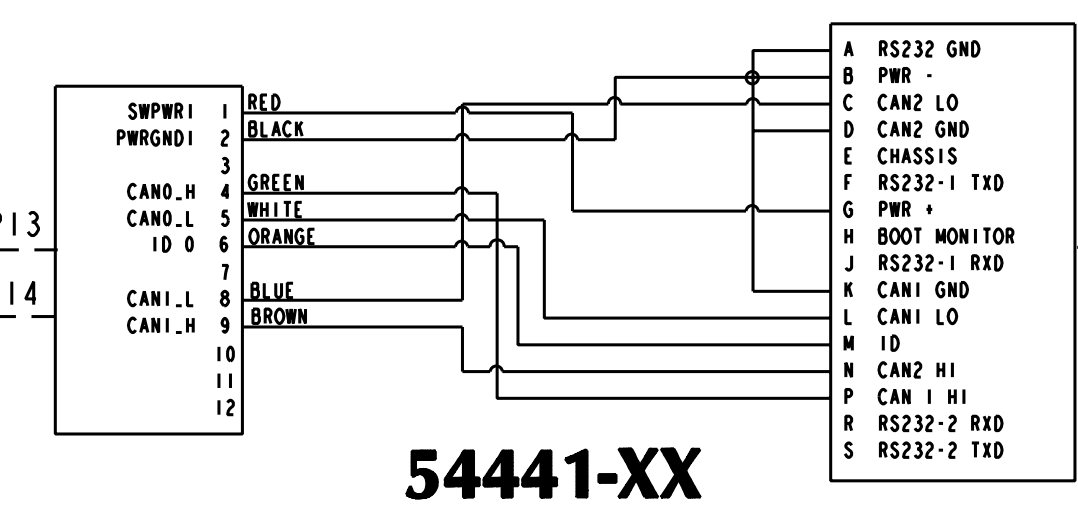
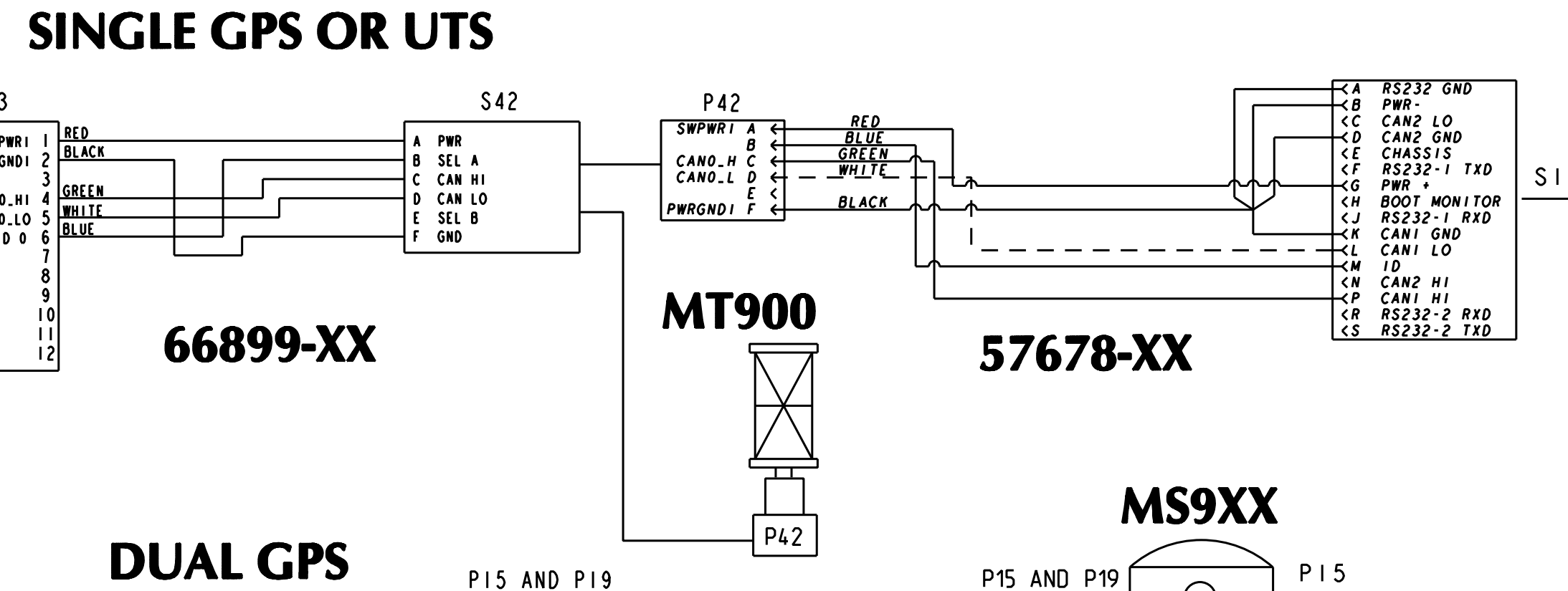
DRAWING PREPARED IN
ACCORDANCE WITH
ASME Y14.5M-1994

SIZE D	DWG NO. 96606-01	REVISION B
SCALE:	SHEET: 2 OF 3	

HEADING SENSOR

SINGLE GPS OR UTS

DUAL GPS



66899-XX

66899-XX

54441-XX

52142-XX

52141-XX

66685-XX

0793-8020-XX

0793-8020-XX

0793-0220-XXX

68450-XX

58479-XX

58481-XX

78174

**Caterpillar Trimble
Control Technologies**

CONFIDENTIAL
THIS DOCUMENT CONTAINS CATERPILLAR TRIMBLE CONTROL TECHNOLOGIES LLC INFORMATION AND SHALL NOT BE DUPLICATED,
DISCLOSED TO OTHERS, OR USED FOR PURPOSES OTHER THAN TO CARRY OUT THE INTENT FOR WHICH THIS MATERIAL IS
DELIVERED UNLESS WRITTEN CONSENT IS FIRST OBTAINED FROM CATERPILLAR TRIMBLE CONTROL TECHNOLOGIES LLC.

Pro-E Drawing

UNLESS OTHERWISE SPECIFIED
DIMENSIONS ARE IN MILLIMETERS
TOLERANCES ARE:
X ±
.X ±
.XX ±
ANGLE ±

THIRD ANGLE PROJECTION

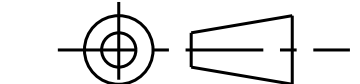


DIAGRAM - ELECTRICAL, GENERIC, HEX

DRAWING PREPARED IN
ACCORDANCE WITH
ASME Y14.5M-1994

SIZE
D

DWG NO. **96606-01**

REVISION
B

SCALE:

SHEET: 3 OF 3