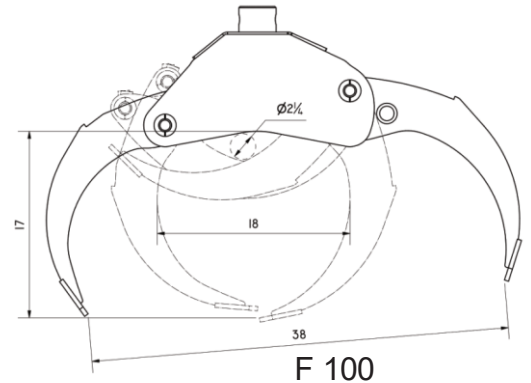


FROSTBITE GRAPPLES

Hydraulic Rotating Grapples – For Excavators, Skid Steers, and Tractors

Pricing Includes:

Grapple	Wiring Harness with Button &
Rotator	12V Cigarette Lighter Plug
Dampened Link	All Hydraulic Hoses
Pivot Plate	Two Flat Faced Couplers
Diverter Valve	Made with Hardox 450 (Except F11)
Diverter Valve Protector	<u>Three-Year Warranty</u>



MODELS:

F11 Dangling Grapple – \$3100

For small & mini excavators. Maximum opening 43". 2000 lb Capacity

F100 Dangling Grapple – \$3800

For excavators 3 tons & up. Maximum opening 38". 3000 lb Capacity

F120 Dangling Grapple – \$4500

For excavators 4 tons & up. Maximum opening 48". 4000 lb Capacity

F120E Dangling Grapple – \$4900

Open finger option. For excavators 4 tons & up. Maximum opening 48". 4000 lb Capacity

F120 Fixed Grapple – \$5990

For excavators 4 tons & up. Massive Rotator. Maximum opening 48". 4000 lb Capacity

F120E Fixed Grapple – \$6390

Open finger option. Excavators 4 tons & up. Massive Rotator. Max opening 48". 4000 lb Capacity

F130 Dangling Grapple – \$5100 - Heaviest duty grapple, 35 lbs heavier than the F120.

For excavators 4 tons & up. Maximum opening 51". 4000 lb Capacity.

F130 Fixed Grapple – \$6400 - Heaviest duty grapple, 35 lbs heavier than the F120.

For excavators 4 tons & up. Massive Rotator. Maximum opening 51". 4000 lb Capacity.

Skid Steer/Tractor Mounted F100 Grapple - \$5850

Mounts to skid steers, tractors, and telehandlers. Complete kit with F100 grapple and 5-foot jib. 3000 lb Capacity. 3-Year Warranty.

Skid Steer/Tractor Mounted F120E Grapple – \$6950 Complete kit with F120E grapple and

5-foot jib. 4000 lb capacity. 3-Year Warranty.

WWW.FROSTBITEFOREST.COM

Windy Ridge Corporation - Since 1985

603-323-232