



AMERICAN HONDA MOTOR CO., INC.
100 WEST ALONDRA BOULEVARD, GARDENA, CALIFORNIA 90247

WARNING

WARNING

WARNING

WARNING

SET-UP AND PRE-DELIVERY SERVICE MUST BE PERFORMED BY AN AUTHORIZED HONDA MOTORCYCLE DEALER. Proper set-up and pre-delivery service is essential to rider safety and reliability of the motorcycle. When a customer takes delivery of his brand new motorcycle, he expects it to be in excellent running condition. There are few things that will cause greater customer dissatisfaction than poor preparation of a new motorcycle. An error or oversight made by the mechanic assembling and servicing a new unit can easily result in faulty operation, damage to the machine, or even injury to the rider.

THIS ISSUE OF THE ATC110 SET-UP INSTRUCTIONS REPLACES THE 1979-1981 MODELS ATC110 SET-UP INSTRUCTIONS DATED 10/80. REMOVE AND DESTROY SUPERSEDED SET-UP INSTRUCTIONS.

1982 MODEL SHOWN; 1980 AND 1981 MODELS SIMILAR



NOTE: The black vertical bars near the edge of the pages as shown here indicate changes. Read carefully.

- NOTES:
- All steps apply to the 1980-1982 Models unless otherwise noted.
 - Right and left are determined from the rider's view.

SET-UP INSTRUCTION REVISED PAGES

Pages Affected	Orig. Issue Date	Rev. Date
1 through 28	7/81	Original
1, 2, and 18	7/81	2/82

Remove and destroy superseded pages.

Pay special attention to warnings, cautions, and notes.

WARNING means hazards or unsafe practices which could cause severe personal injury or death.

CAUTION: means hazards or unsafe practices which could cause minor personal injury or product or property damage.

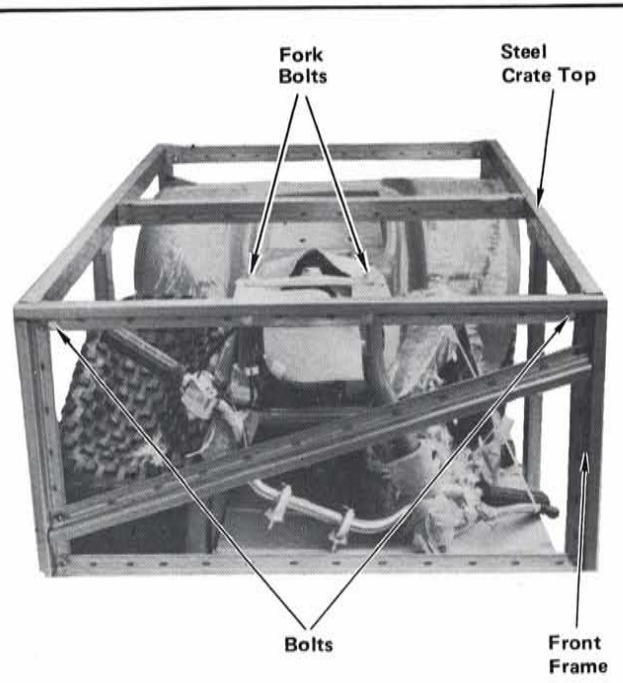
NOTE: gives helpful information.

This page supersedes page 2 dated 7/81. Remove and destroy superseded page.

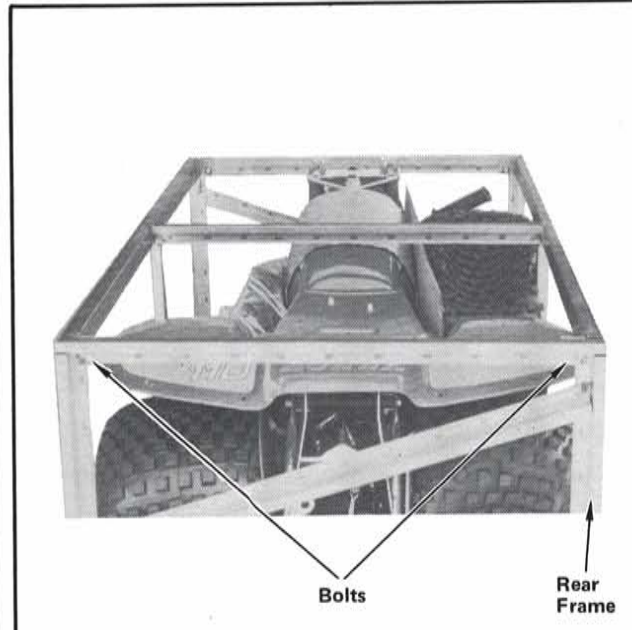
Rev. 2/82



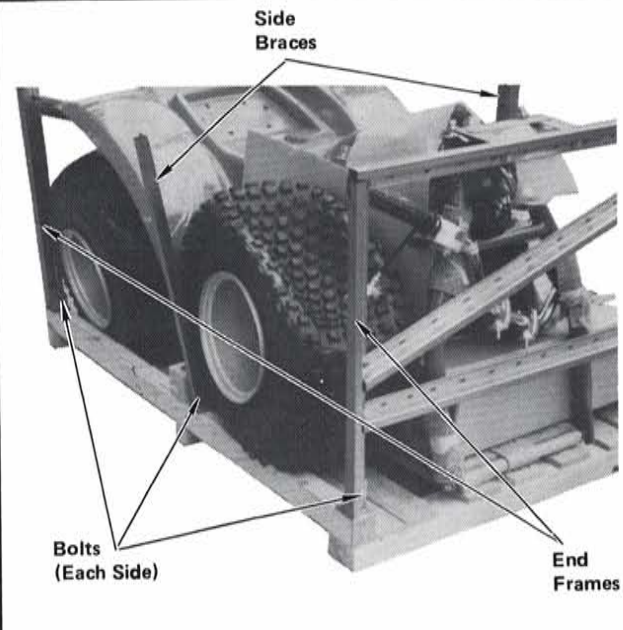
STEP 1—Cut straps and remove carton cover by lifting the cover off. Remove wooden crate top.



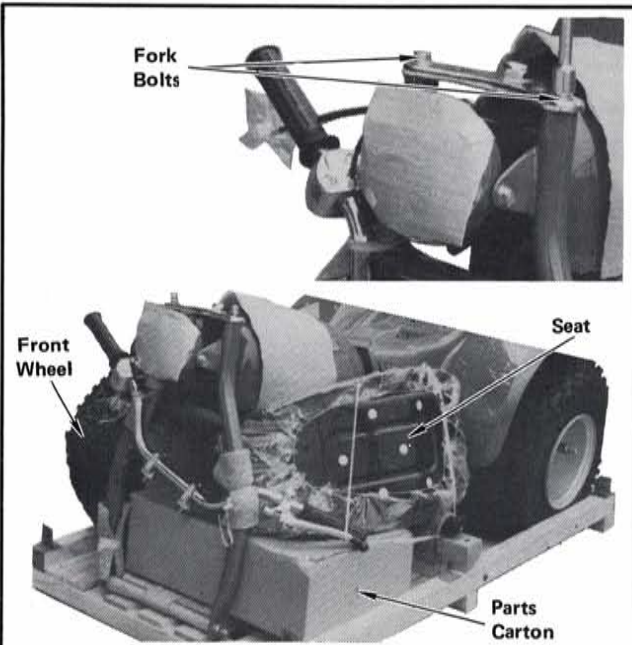
STEP 2—Remove two bolts attaching crate front frame to steel crate top. Discard bolts. Loosen fork bolts to release shipping braces.



STEP 3—Remove two bolts attaching crate rear frame to steel crate top. Discard bolts. Carefully remove steel crate top from side braces and discard.

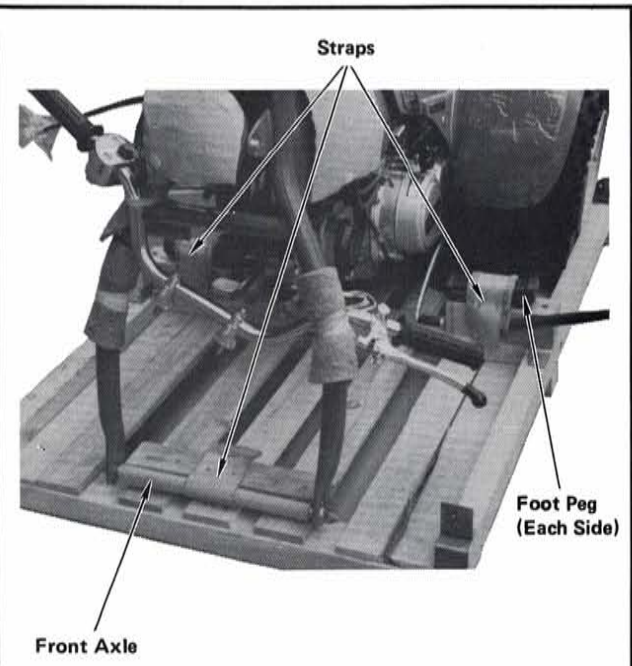


STEP 4—Remove six bolts attaching the crate frames and side braces to crate base. Discard frames, braces, and bolts.

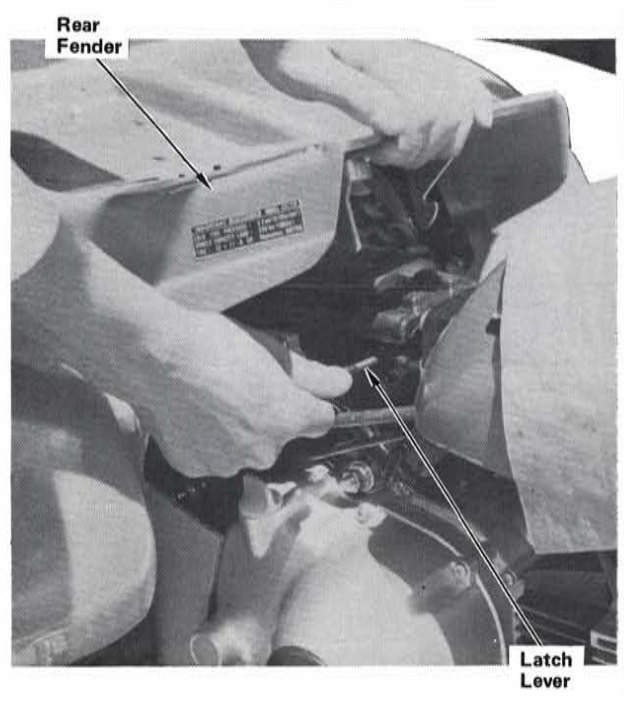


STEP 5—Remove front wheel and seat. Remove parts carton from behind front forks. Tighten fork bolts to specified torque.

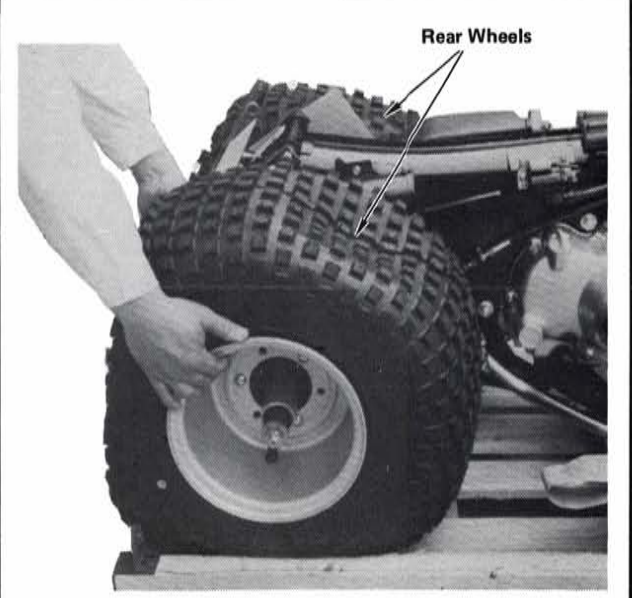
Torque specifications:
 4.4 kg-m (32 lb-ft) 1980
 6.0 kg-m (43 lb-ft) 1981, 1982



STEP 6—Remove straps holding front axle and foot pegs to crate base, by removing nails.

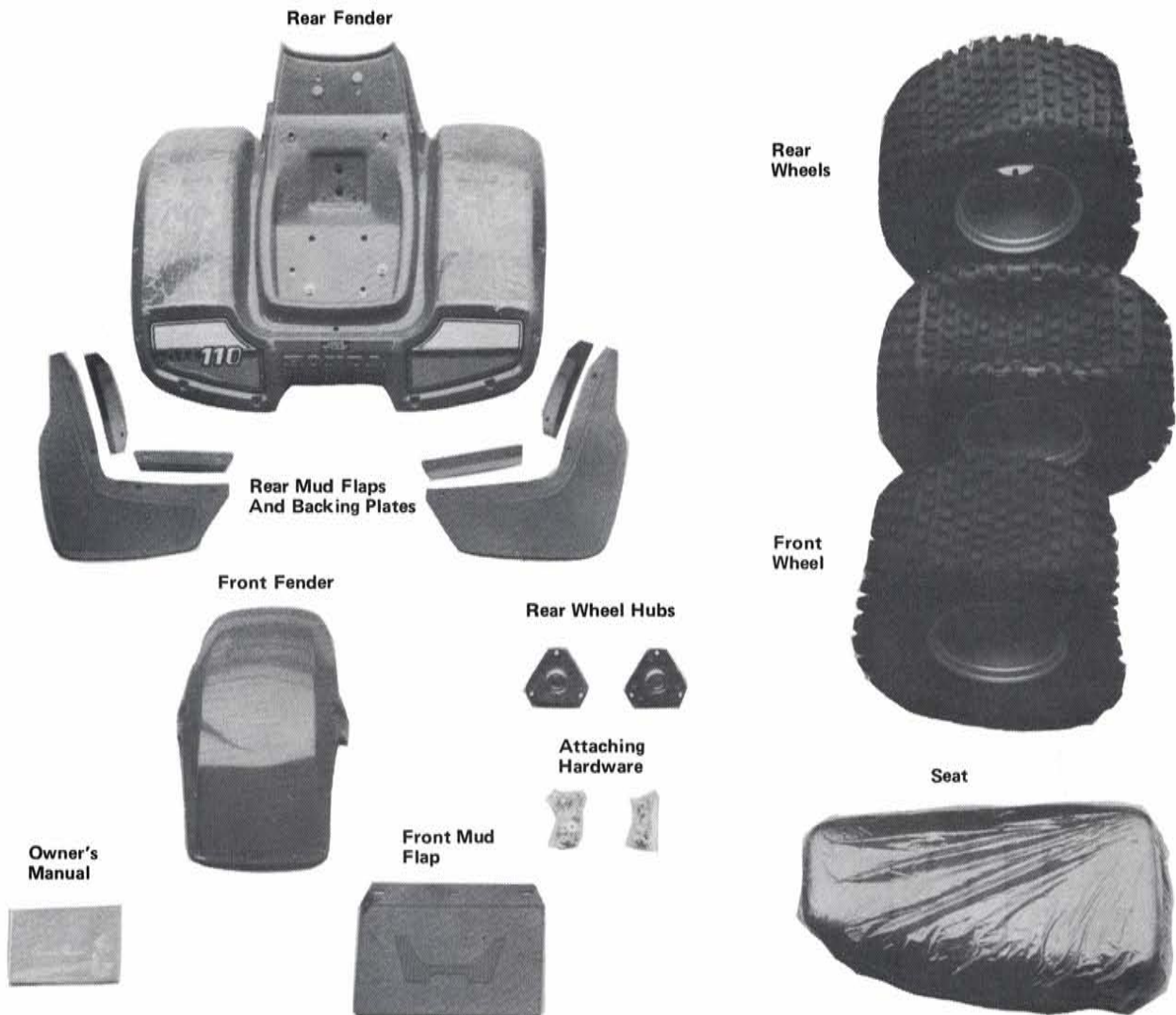


STEP 7—Push rear fender latch lever towards the rear to release rear fender. Remove rear fender.



STEP 8—Lift rear of vehicle as shown and remove rear wheels.

1980 PARTS SHOWN, 1981 AND 1982 PARTS SIMILAR



STEP 9—Unpack remaining loose parts and check against this illustration. Report any damaged or missing parts immediately to American Honda Motor Co., Inc., 100 West Alondra Blvd., Gardena, California 90247.

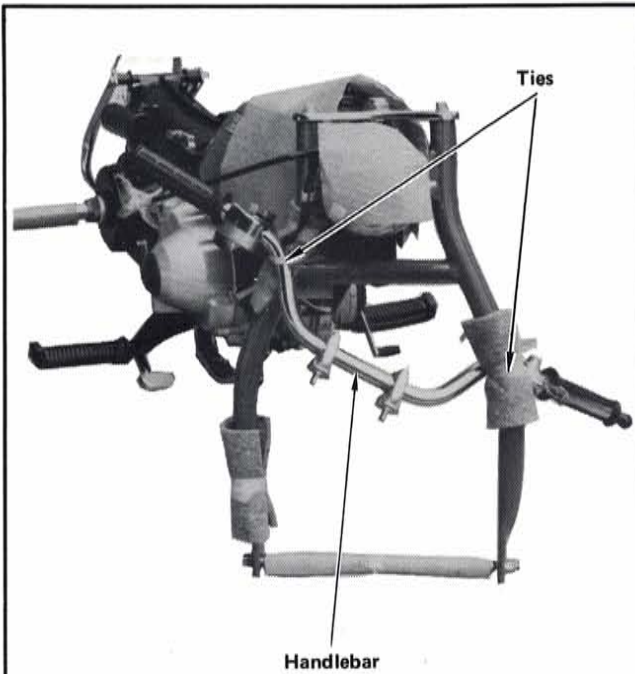
Damaged or Missing Parts

Identify missing parts by referring to the "Loose Parts List" at the end of the set-up. Order parts through normal parts ordering procedures.

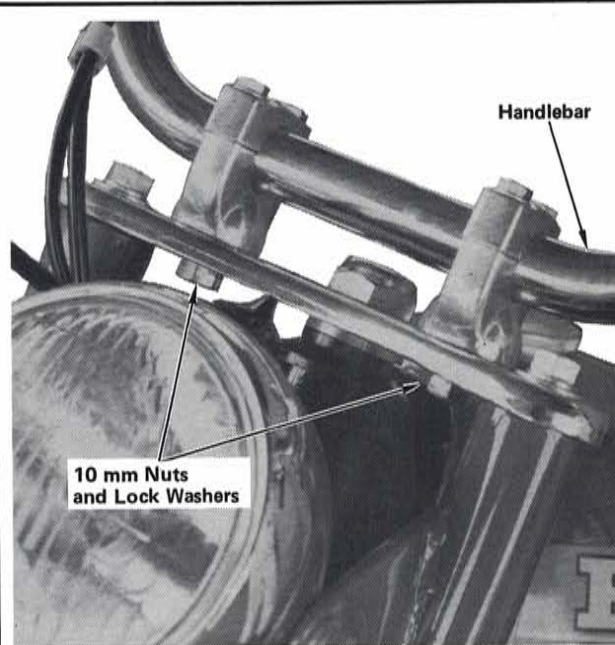
It is necessary to differentiate between parts lost or damaged in transit, and parts left out by the factory.

- For parts lost or damaged in transit, file a SHIPPING DAMAGE CLAIM.
- For parts left out by the factory, file a WARRANTY CLAIM W.O.2.

Refer to the Warranty Policy and Procedures Manual (SO 945) under **Shipping Damage and Crate Shortage** for further information.

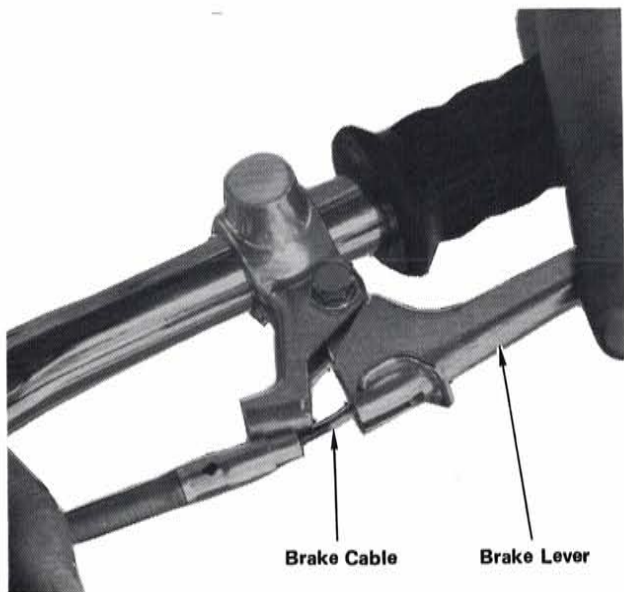


STEP 10—Remove ties holding handlebar to front forks. Remove all protective wrappings from front forks, headlight, and fuel tank.

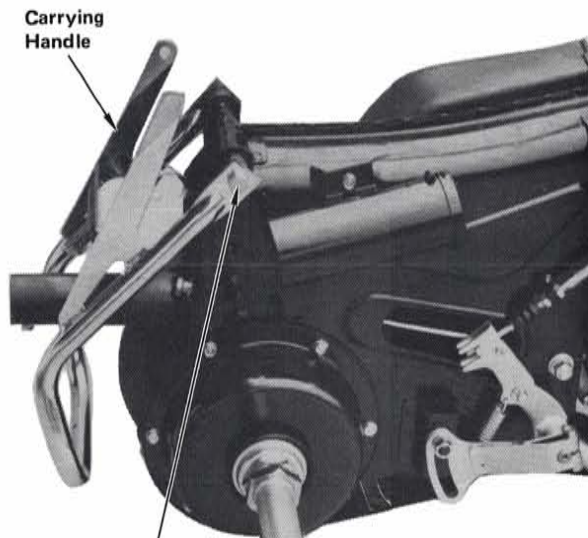


STEP 11—Install handlebar as shown using two 10 mm nuts and lock washers. Tighten nuts to specified torque.

Torque specification:
4.4 kg-m (32 lb-ft)

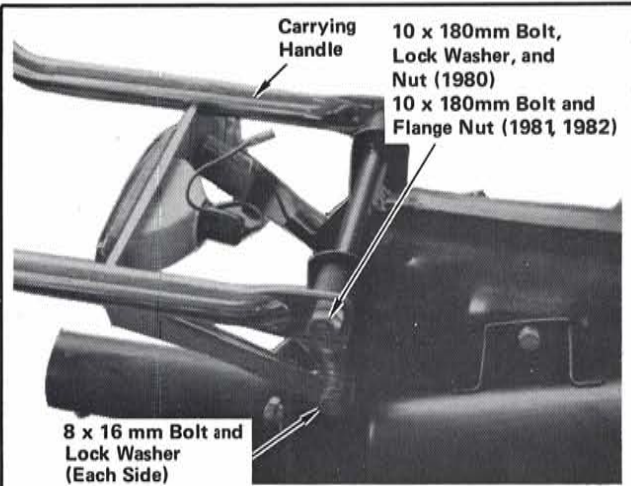


STEP 12—Insert end of brake cable into slot in brake lever. Pull cable back through slot in bracket. (Pressing rear brake pedal provides slack.) Adjust brake as described in Step 47.



10 x 180mm Bolt, Nut, Lock Washer (1980)
10 x 180mm Bolt and Flange Nut (1981, 1982)

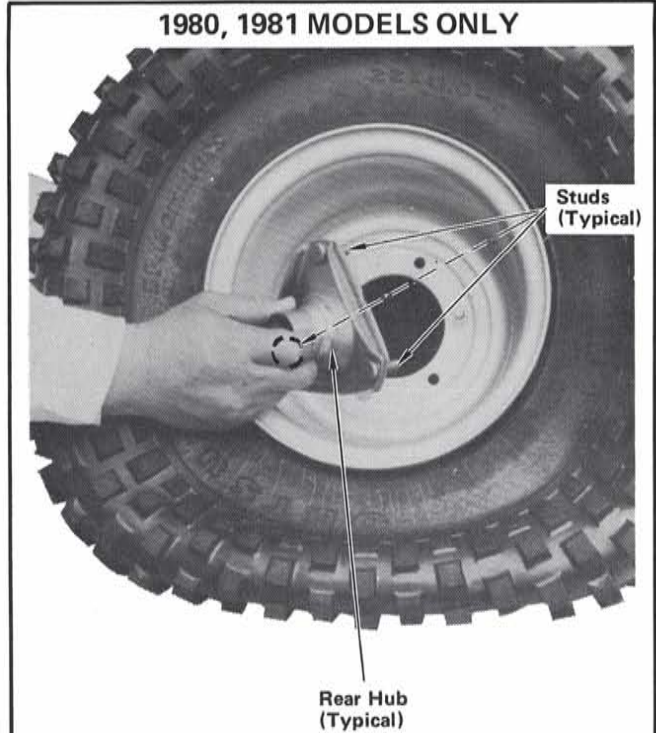
STEP 13—Remove and retain 10 x 180 mm bolt, nut, and lock washer (bolt and flange nut 1981, 1982) attaching carrying handle to frame.



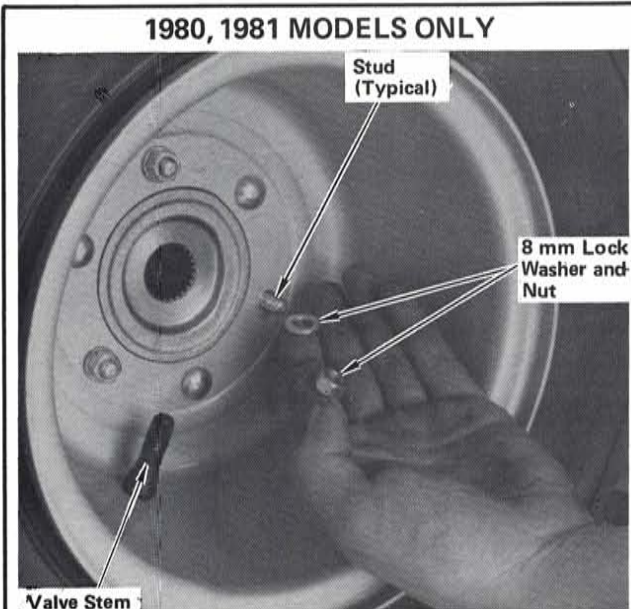
STEP 14—Position carrying handle with curve up as shown and reinstall using the 10 x 180 mm bolt, lock washer and nut (bolt and flange nut 1981, 1982) retained from previous step, and two 8 x 16 mm bolts and lock washers. Tighten bolts to specified torque. Check that taillight wires are still connected color-to-color.

Torque specifications:

- 8 mm bolts: 2.2 kg-m (16 lb-ft)
- 10 mm nut: 4.4 kg-m (32 lb-ft)

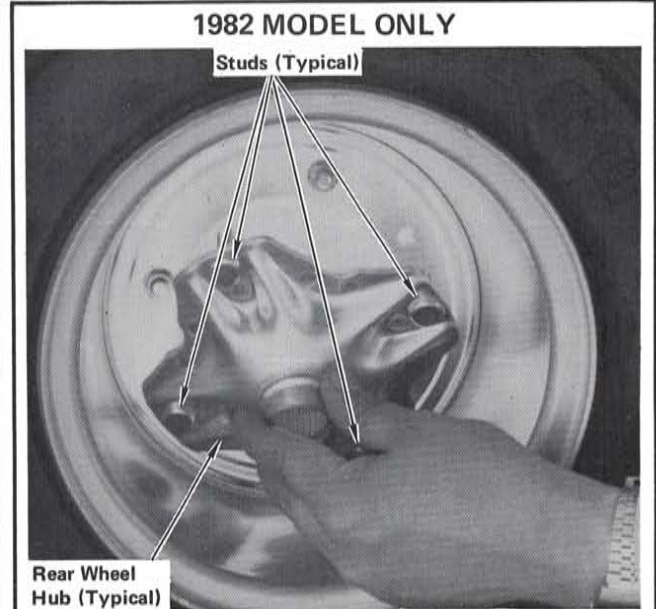


STEP 15—Insert studs of rear wheel hubs through rear wheels from side opposite valve stem.



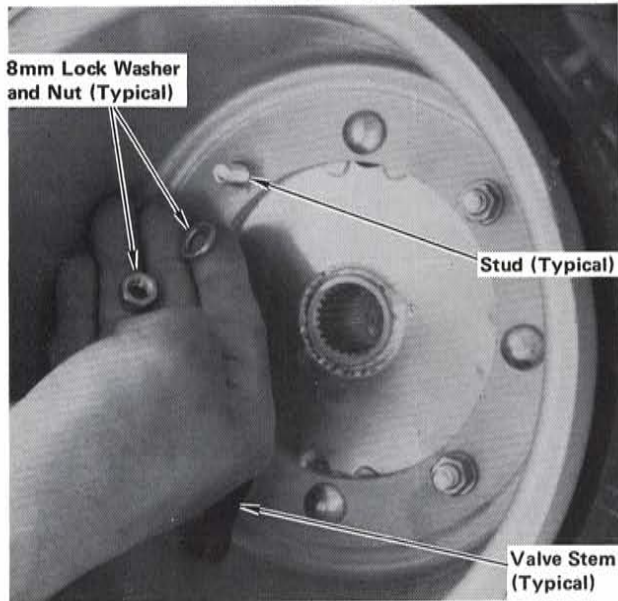
STEP 16—Install each rear wheel hub using three 8 mm lock washers and nuts on side of wheel having valve stem. Repeat for other wheel. Tighten nuts to specified torque.

Torque specification:
2.2 kg-m (16 lb-ft)



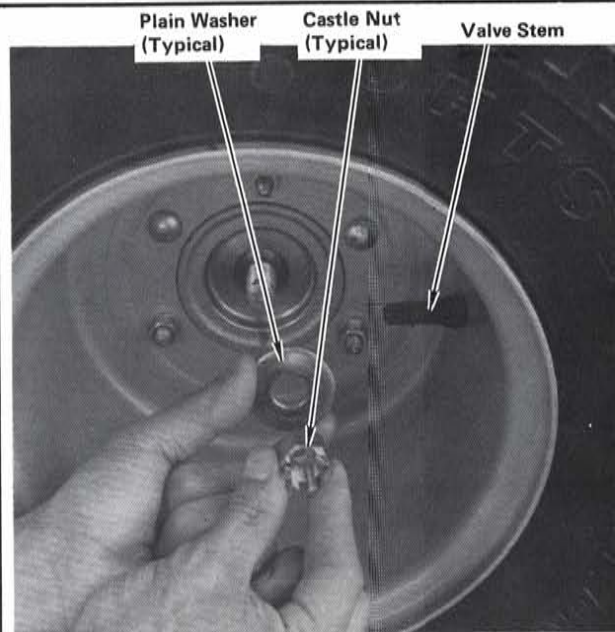
STEP 17—Insert studs of rear wheel hubs through rear wheels from side opposite valve stem.

1982 MODEL ONLY

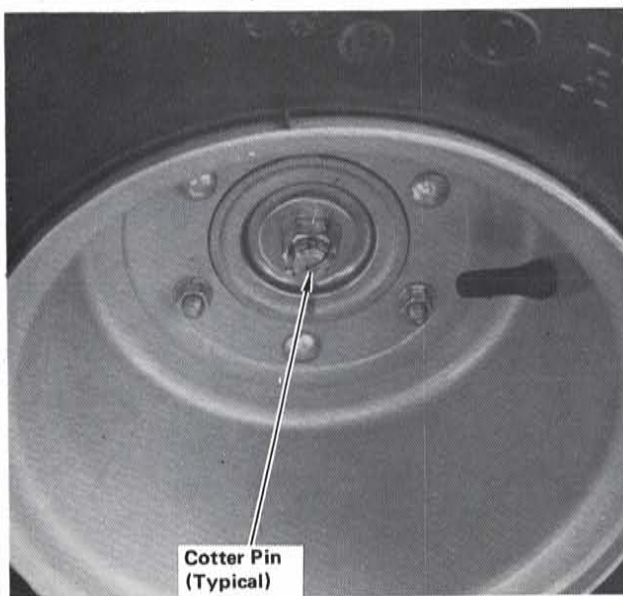


STEP 18—Install each rear wheel hub using four 8 mm lock washers and nuts on side of wheel having valve stem. Repeat step for other wheel. Tighten nuts to specified torque.

Torque specification:
2.2 kg-m (16 lb-ft)



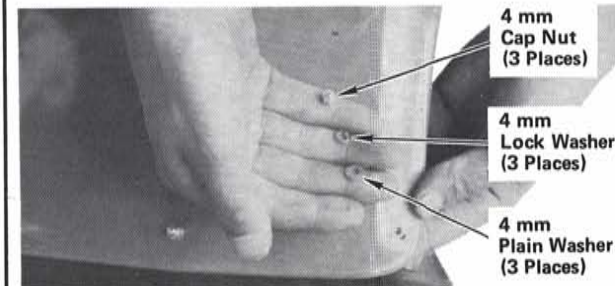
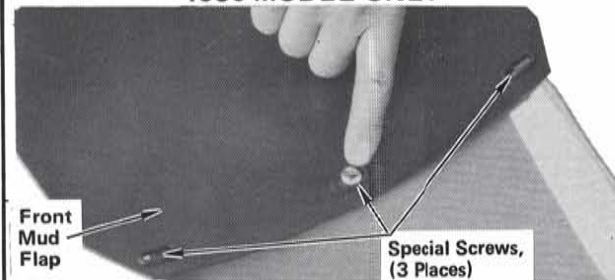
STEP 19—Remove and retain castle nuts and plain washers from rear axle. Grease axle splines. Remove plastic guard and install rear wheels, with valve stems to the outside, using same plain washers and castle nuts removed.



STEP 20—Tighten both rear axle nuts to specified torque and install a cotter pin in each. Spread ends of cotter pin as shown.

Torque specification:
7 kg-m (51 lb-ft)

1980 MODEL ONLY



STEP 21—Install front fender mud flap under fender using three special screws inserted through mud flap and fender, with plain washers, lock washers, and cap nuts on fender side. Tighten nuts securely.

1981, 1982 MODELS ONLY

Front Fender
Special Nuts
Special Screws
Front Mud Flaps
Special Nut (3 places)
Mud Flap

STEP 22—Install front fender mud flap under fender using three special screws inserted through fender and mud flap, with special nuts on mud flap side. Tighten screws securely.

Flanged Washers (Typical)
Front Fender
Plain Washers (Typical)
6 x 16 mm Bolts (Typical)

STEP 23—Install front fender using four 6 x 16 mm hex bolts, plain washers, and flanged washers. (Flanged washers go between the fender and forks.) Tighten bolts to specified torque. Check that clearance between fender and engine head bolt is between 5 to 10 mm with handlebar turned full right or left.

Torque specification:
1.0 kg-m (8 lb-ft)

1980, 1981 MODELS **1982 MODEL**

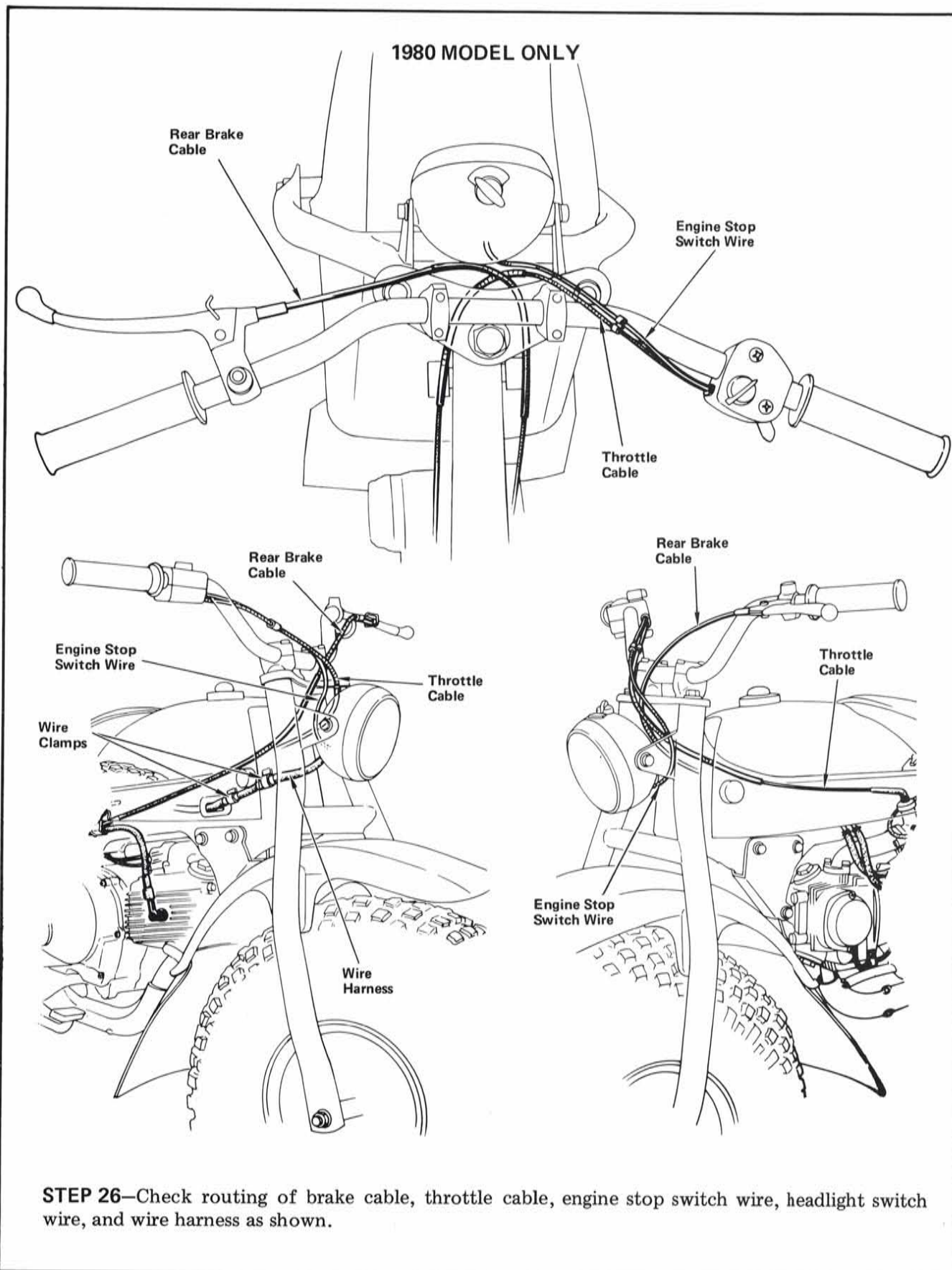
Grease Seal (Each Side)
Axle Spacer
Front Axle
Axle Spacer (Each Side)

STEP 24—Insert front axle in front wheel hub. Grease front wheel hub seals and slip an axle spacer over each end of axle and into grease seal.

Collar (Each Side)
Castle Nut (Each Side)
Cotter Pin (Each Side)

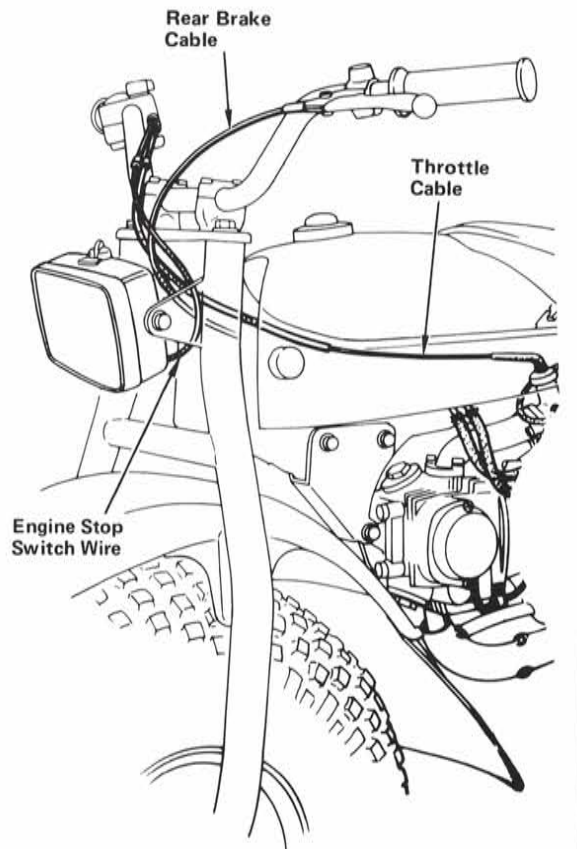
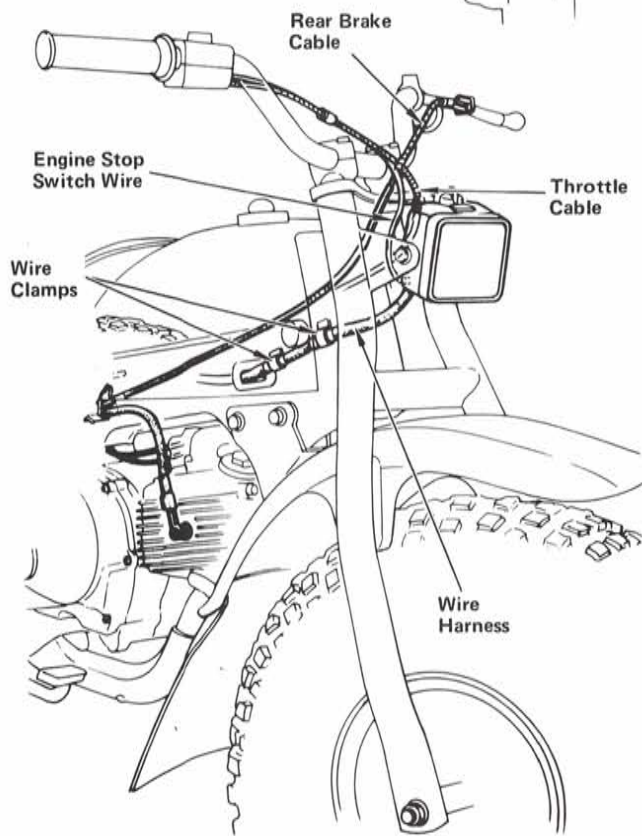
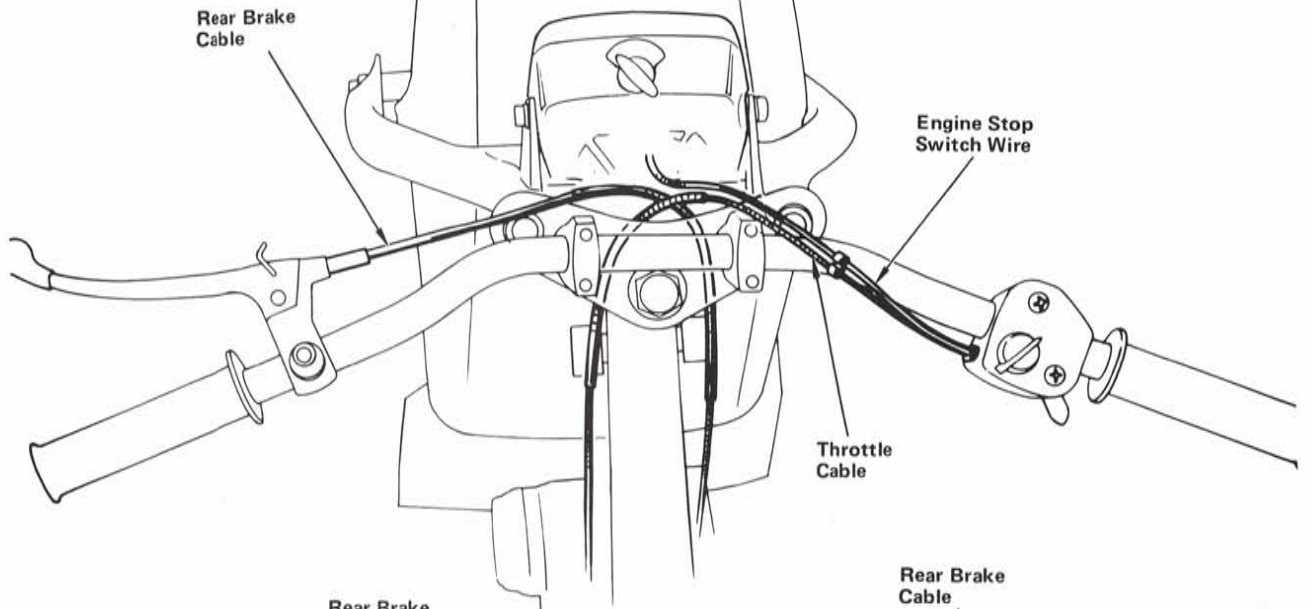
STEP 25—Install front wheel, using two collars and castle nuts. Tighten both axle nuts to specified torque and install a cotter pin in each. Spread ends of cotter pins as shown.

Torque specification:
7 kg-m (51 lb-ft)



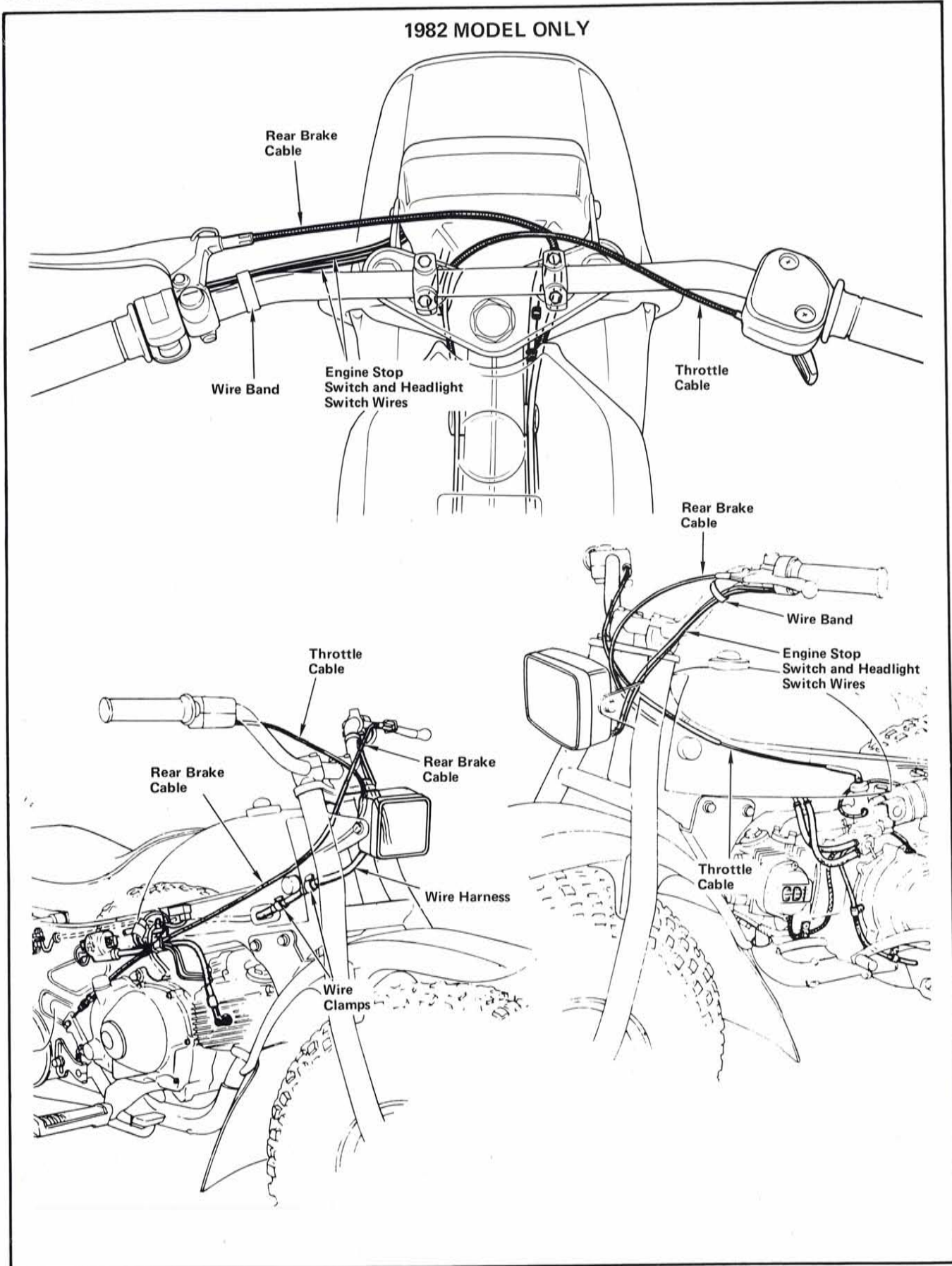
STEP 26—Check routing of brake cable, throttle cable, engine stop switch wire, headlight switch wire, and wire harness as shown.

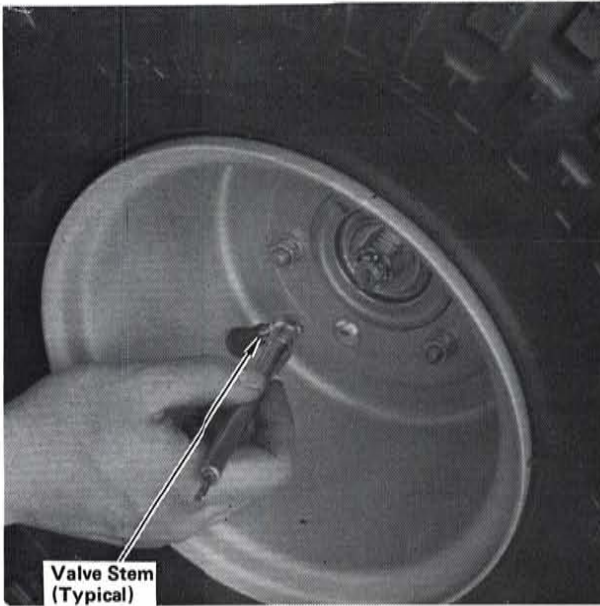
1981 MODEL ONLY



STEP 26-Continued.

1982 MODEL ONLY





Valve Stem
(Typical)

STEP 27—Inflate all tires and check tire pressure.

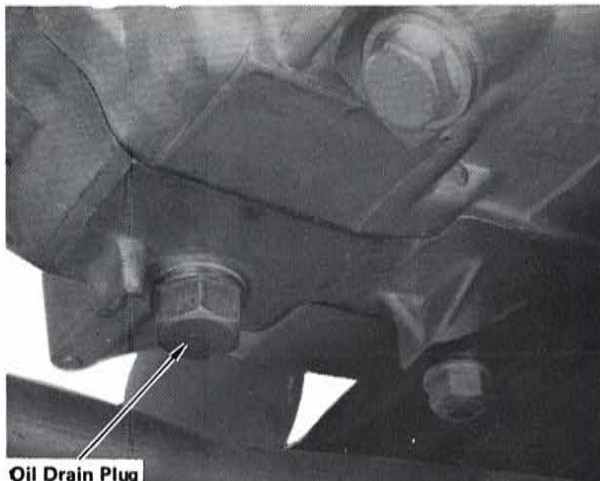
All tires: 2.2 psi.



8 mm
Bolt
(Typical)

Aligning
Marks

STEP 28—Loosen 8 mm headlight mounting bolts and align punch mark on headlight case with aligning mark on headlight bracket. Retighten headlight mounting bolts securely. Check that wires are connected.



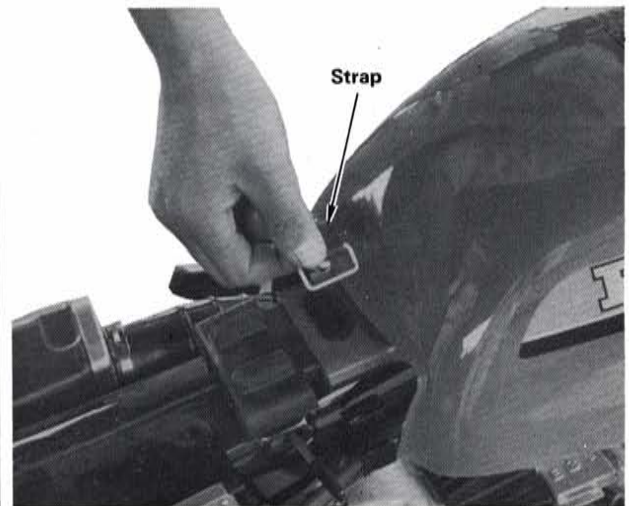
Oil Drain Plug

STEP 29—Remove crankcase drain plug and drain engine oil. Reinstall and tighten drain plug.

NOTE: Not required if less than 4 months have elapsed since date of manufacture shown on identification plate on steering head.

Refill crankcase with recommended oil as described in the owner's manual or shop manual.

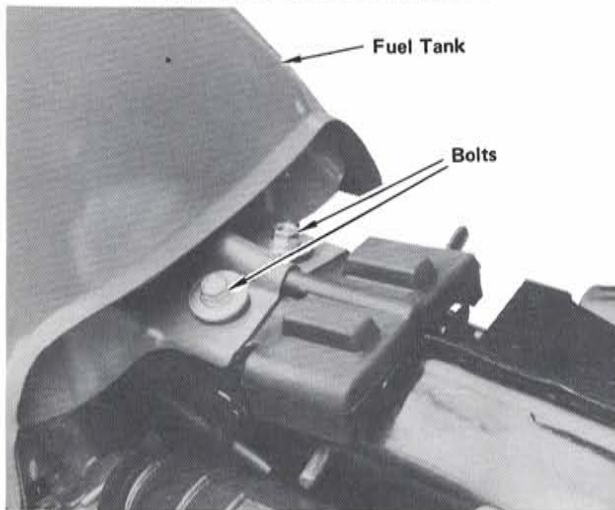
1980 MODEL ONLY



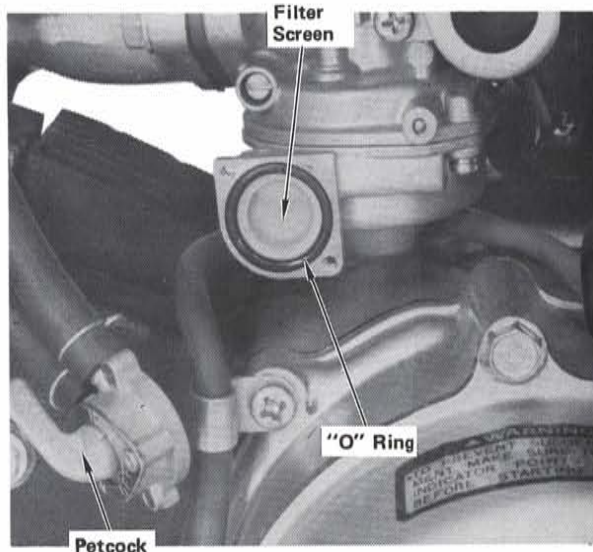
Strap

STEP 30—Drain fuel tank as described in the Owner's manual. Remove fuel tank by disconnecting fuel lines and releasing tank strap. Inspect and flush tank. Reinstall fuel tank, connect fuel lines and hook tank strap.

1981, 1982 MODELS ONLY

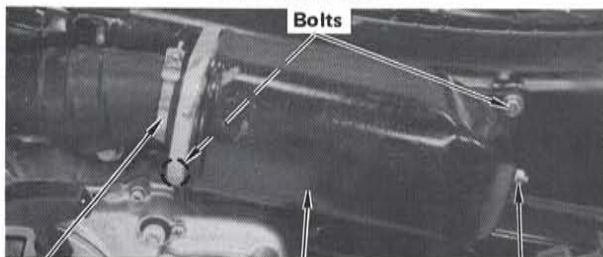


STEP 31—Drain fuel tank as described in owner’s manual. Remove fuel tank by disconnecting fuel lines and removing two bolts at rear of the tank. Inspect and flush tank. Reinstall fuel tank using the two bolts removed, and connect fuel lines. Tighten bolts securely.



STEP 32—Turn fuel petcock to “OFF” and remove two screws holding petcock. Remove petcock, “O” ring, and filter screen. Wash screen in non-flammable or high flash point solvent. Reinstall filter screen, “O” ring, and petcock. Tighten screws securely. Fill tank, turn fuel petcock to “ON”, “RES”, and check for leaks.

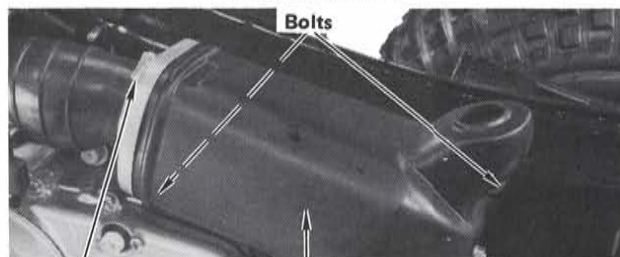
1980 MODEL



Tube Clamp Air Cleaner Case Element Attaching Nut



1981 MODEL

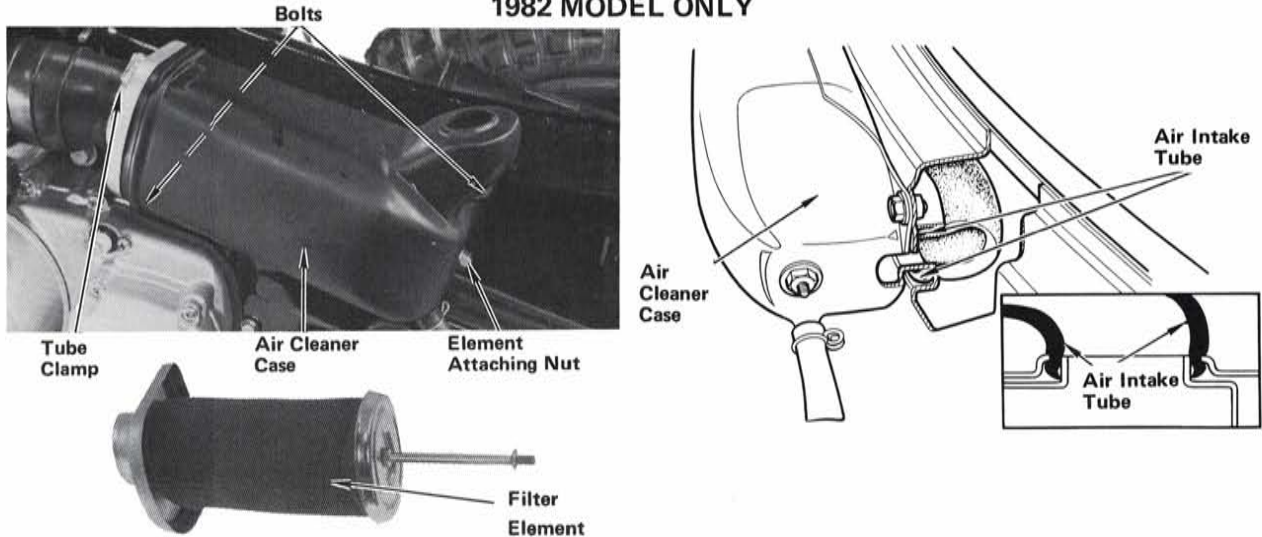


Tube Clamp Air Cleaner Case Element Attaching Nut



STEP 33—Remove air cleaner case mounting bolts and loosen air cleaner tube clamp. Remove air cleaner case. Remove air filter attaching nut and withdraw filter from case. Remove filter element, wash it in non-flammable or high flash point solvent and allow filter to dry thoroughly. Soak filter element in clean gear oil (SAE 80-90) until saturated, then squeeze out excess oil. Check that drive chain guide screws are tight, then reinstall filter element, filter, air cleaner case, and tube clamp. Tighten all bolts, nuts, and screws securely.

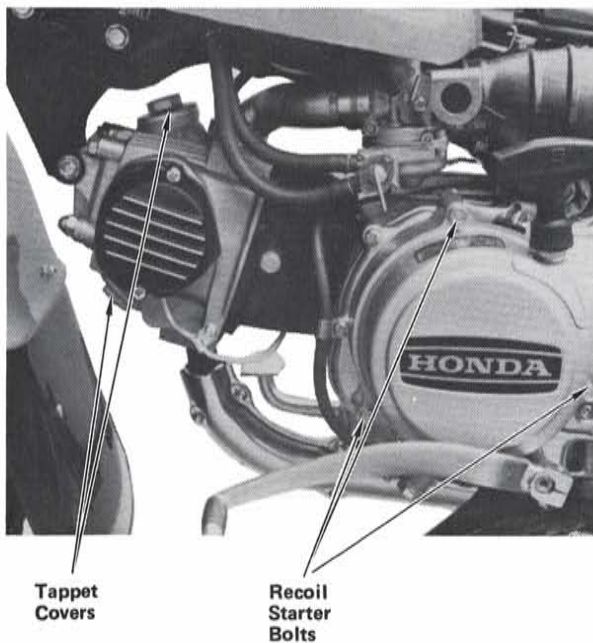
1982 MODEL ONLY



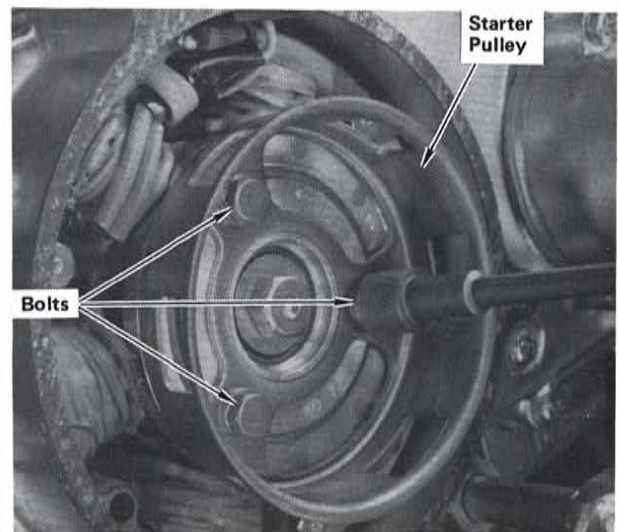
STEP 34—Remove air cleaner case mounting bolts and loosen air cleaner tube clamp. Remove air cleaner case. Remove air filter attaching nut and withdraw filter from case. Remove filter element, wash it in non-flammable or high flash point solvent and allow filter to dry thoroughly. Soak filter element in clean gear oil (SAE 80-90) until saturated, then squeeze out excess oil. Check that drive chain guide screws are tight, then reinstall filter element, filter, air cleaner case, and tube clamp. Be sure air intake tube is positioned as shown. Tighten all bolts, nuts, and screws securely.

CAUTION: Do not pinch air intake tube between air cleaner case and frame.

1980 MODEL ONLY

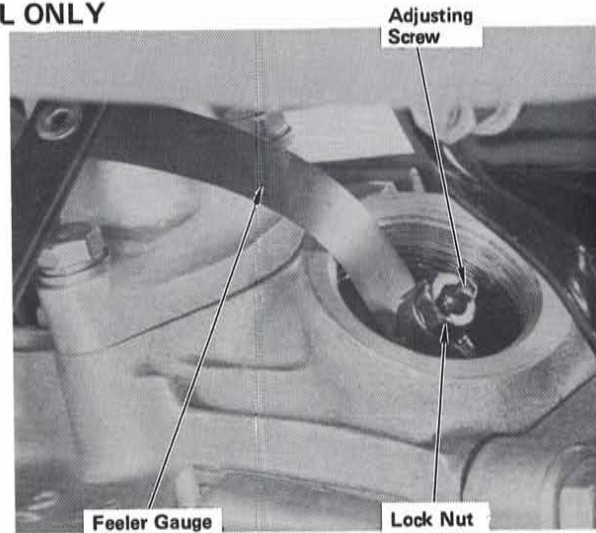
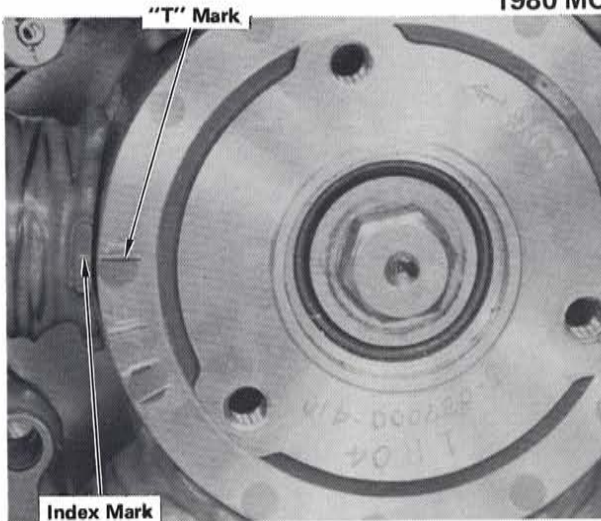


STEP 35—Remove recoil starter and tappet covers.



STEP 36—Remove starter pulley by removing three 6 mm hex bolts and lock washers.

1980 MODEL ONLY

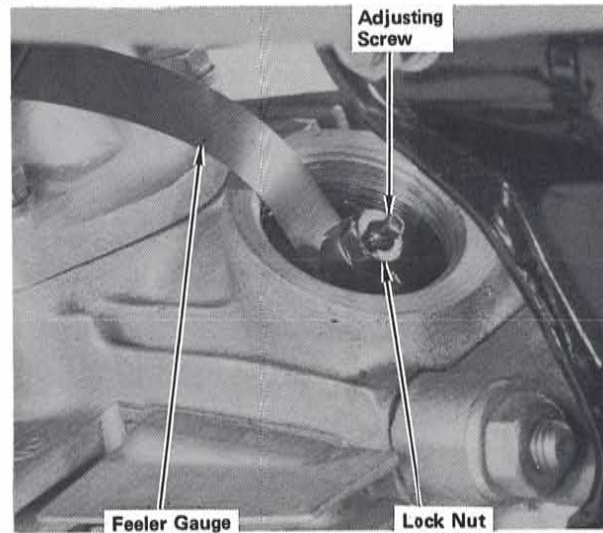
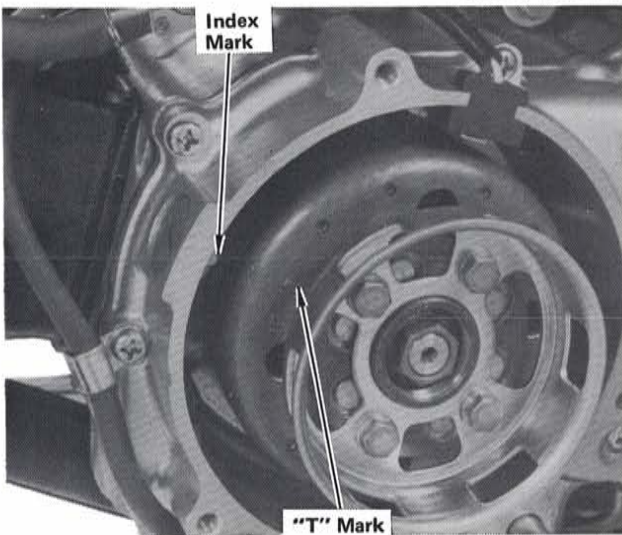


NOTE: Valve clearance adjustment must be done while engine is cold (below 35° C; 95° F).

STEP 37—Turn crankshaft counterclockwise and align "T" mark on rotor with index mark, when piston is on compression stroke. Check intake and exhaust valve clearance by inserting a feeler gauge between adjusting screw and valve stem. If adjustment is necessary, loosen lock nut and turn adjusting screw as required to obtain a slight drag on feeler gauge. After adjustment, hold adjusting screw and tighten lock nut. Recheck valve clearance. Reinstall tappet covers.

Intake and exhaust valve clearance: 0.07 mm (0.003 in.)

1981, 1982 MODELS ONLY



NOTE: Valve clearance adjustment must be done while engine is cold (below 35° C; 95° F).

STEP 38—Turn crankshaft counterclockwise and align "T" mark on rotor with index mark, when piston is on compression stroke. Check intake and exhaust valve clearance by inserting a feeler gauge between adjusting screw and valve stem. If adjustment is necessary, loosen lock nut and turn adjusting screw as required to obtain a slight drag on feeler gauge. After adjustment, hold adjusting screw and tighten lock nut. Recheck valve clearance. Reinstall tappet covers and recoil starter.

Intake and exhaust valve clearance: 0.07 mm (0.003 in.)

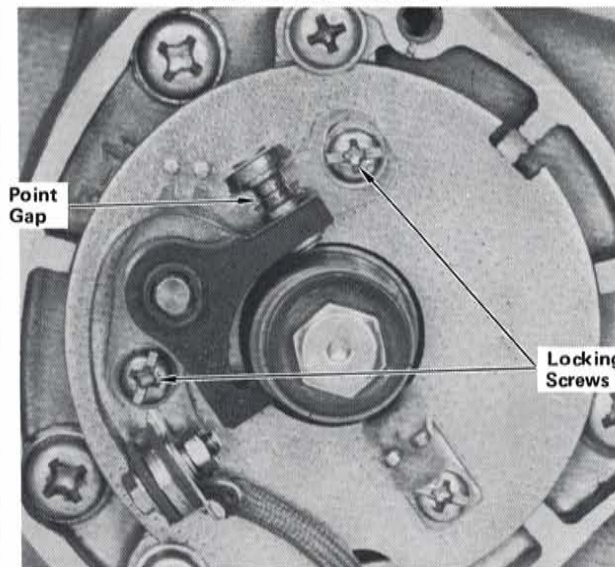
1980 MODEL ONLY



Point Cover

STEP 39—Remove point cover.

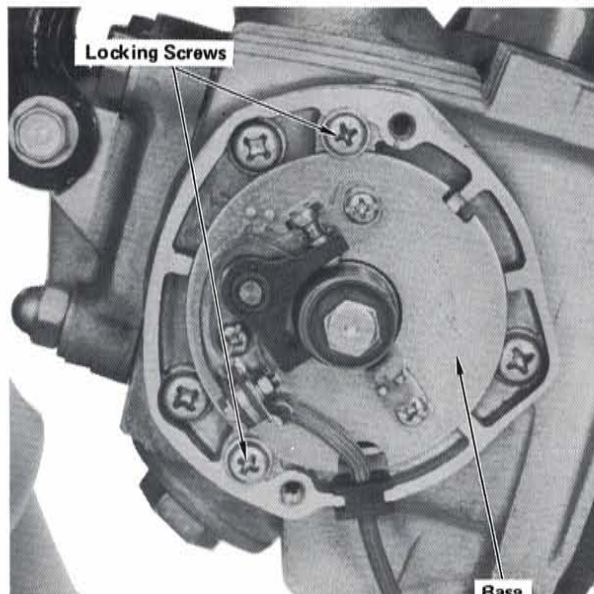
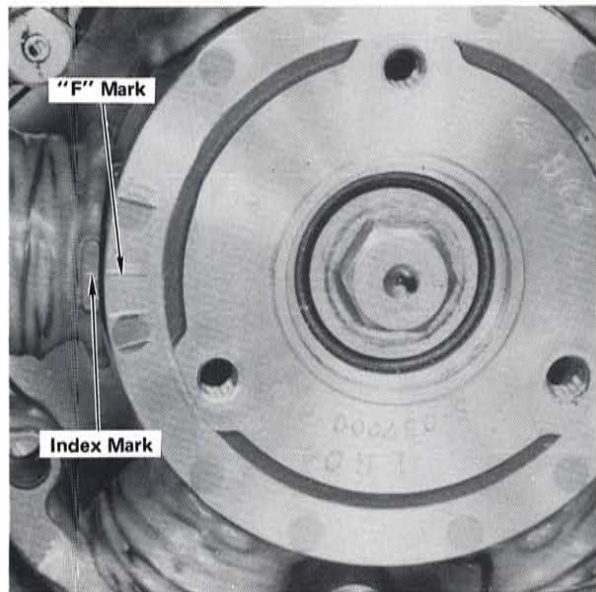
1980 MODEL ONLY



STEP 40—Turn crankshaft counterclockwise until contact points are open to their maximum gap. Check point gap. If adjustment is necessary, loosen point plate locking screws and adjust point gap.

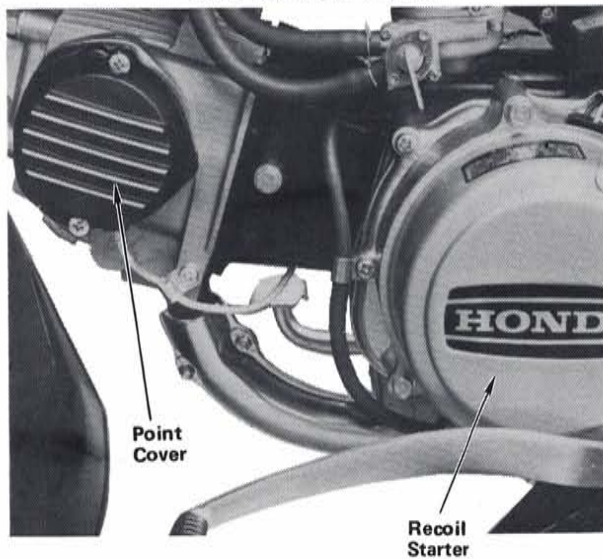
Point Gap: 0.3-0.4 mm (0.012-0.016 in.)

1980 MODEL ONLY



STEP 41—Turn crankshaft counterclockwise and align "F" mark on rotor with index mark, when piston is on compression stroke. Check that points are just beginning to open. If adjustment is necessary, loosen two base plate locking screws and move base plate. Move base plate clockwise to advance timing or counterclockwise to retard timing. After adjustment, tighten base plate locking screws. Recheck timing and point gap.

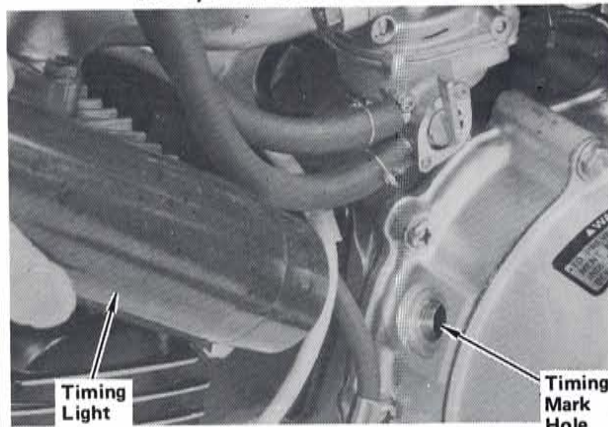
1980 MODEL ONLY



STEP 42—Reinstall starter pulley and recoil starter. Tighten hex bolts to specified torque. (The lock washers are used on the starter pulley.) Reinstall point cover.

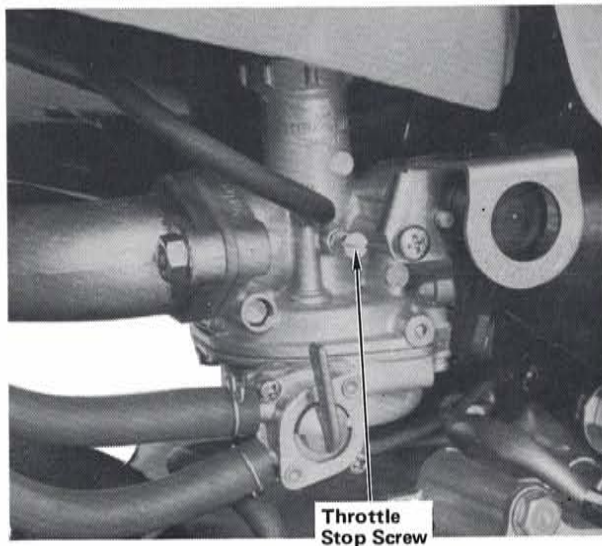
Torque specification:
1.0 kg-m (8 lb-ft)

1981,1982 MODELS ONLY

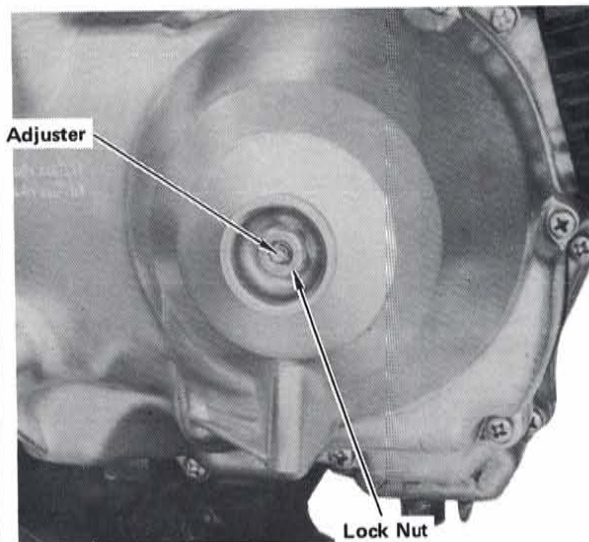


STEP 43—Remove timing hole cap. Connect a stroboscopic timing light and check transmission in neutral. Start engine and allow it to idle. Aim timing light at timing mark hole and check that "F" mark is aligned with index mark at idle. Reinstall timing hole cap. Remove timing light.

NOTE: The C.D.I. (Capacitor Discharge Ignition) system is factory preset and cannot be adjusted. If timing is incorrect, check C.D.I. units as described in shop manual.



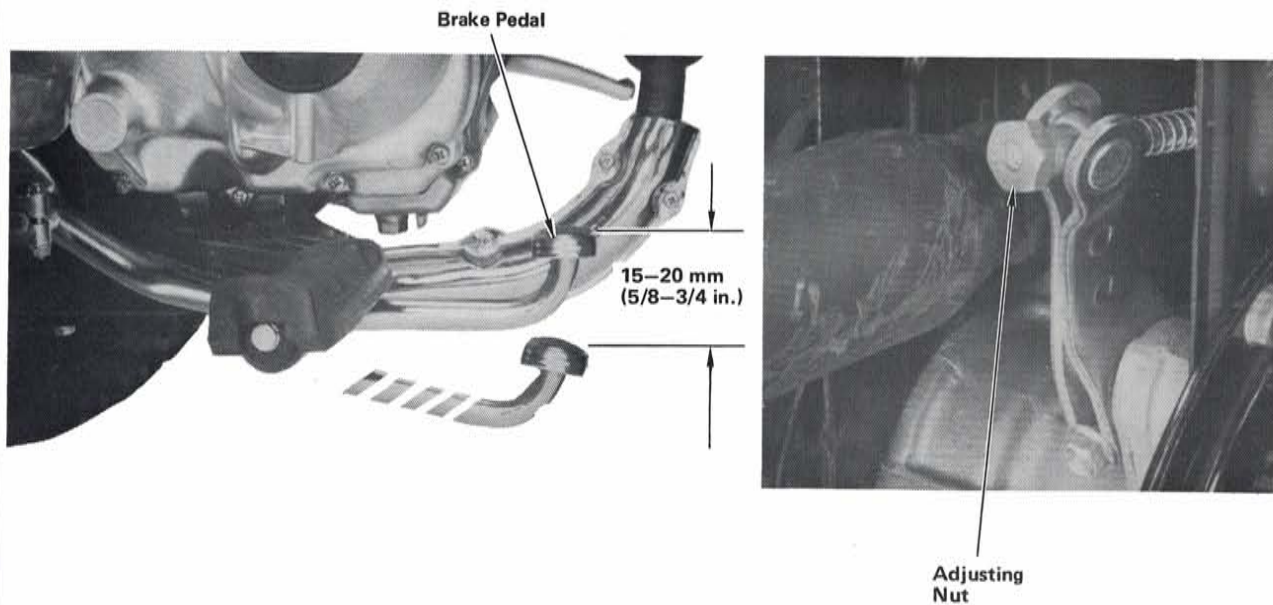
STEP 44—Connect a tachometer. Start engine and warm it up to operating temperature. Adjust idle speed to 1,700 rpm using throttle stop screw. Stop engine and disconnect the tachometer.



STEP 45—Check clutch operation. If adjustment is necessary, use the following procedure. Loosen lock nut and turn clutch adjuster clockwise until resistance is felt, then turn clutch adjuster 1/8 turn counterclockwise and tighten lock nut. Recheck clutch operation.

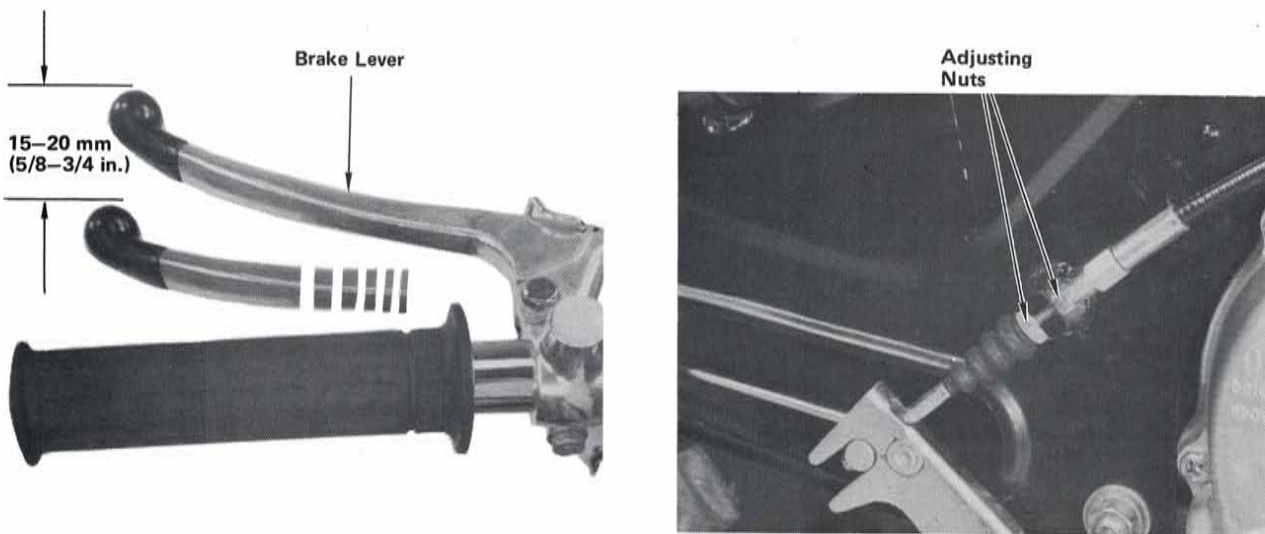
This page supersedes page 18 dated 7/81. Remove and destroy superseded page.

Rev. 2/82



STEP 46—Check brake pedal free play. If adjustment is necessary, turn adjusting nut on brake rod at rear of frame.

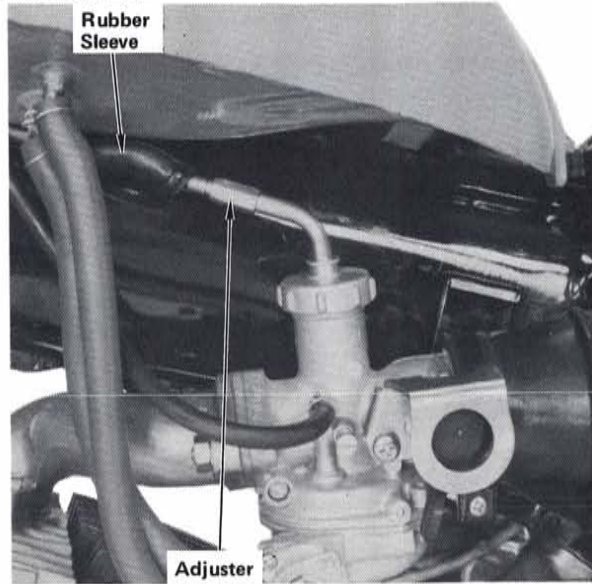
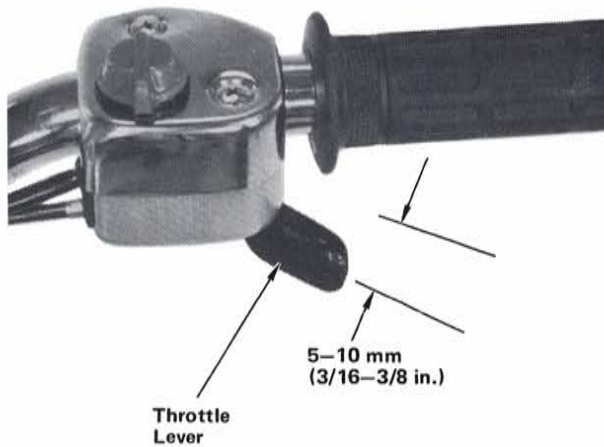
Free Play: 15-20 mm (5/8-3/4 in.)



STEP 47—Check brake lever free play. If adjustment is necessary, turn adjusting nuts on brake cable on right side of frame just behind engine.

Free Play: 15-20 mm (5/8-3/4 in.)

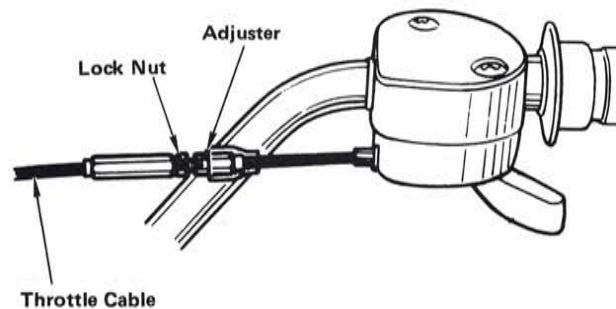
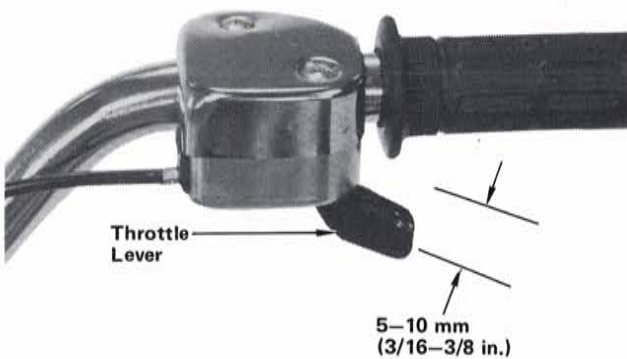
1980, 1981 MODELS ONLY



STEP 48—Check throttle lever free play. If adjustment is necessary, slide rubber sleeve forward and turn throttle cable adjuster as necessary. Slide rubber sleeve back over adjuster.

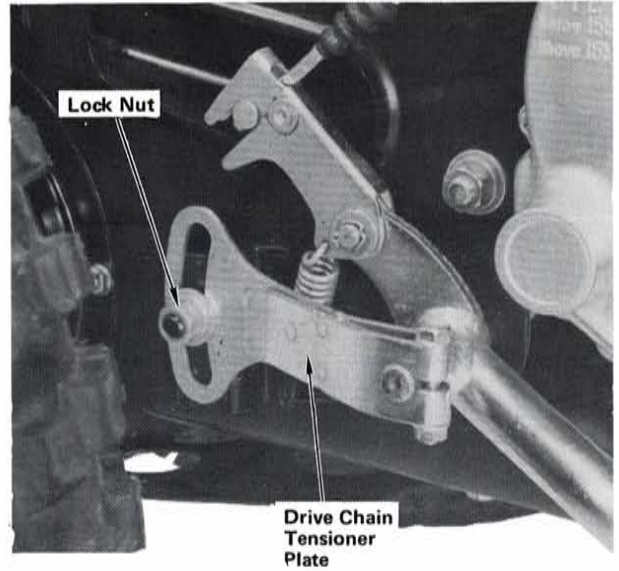
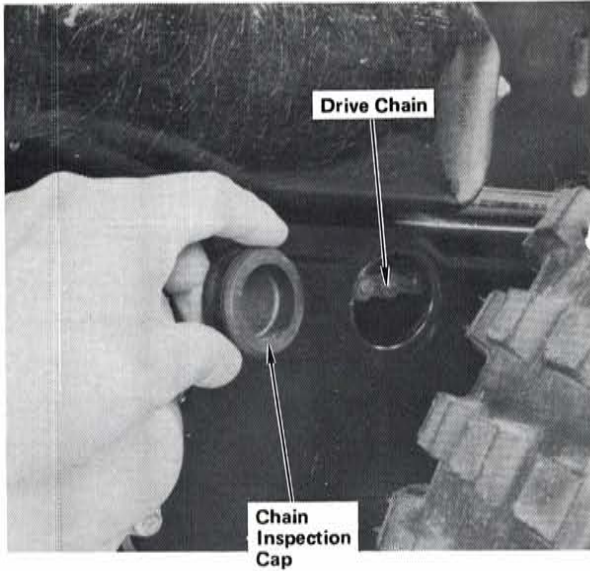
Throttle lever free play: 5-10 mm (3/16-3/8 in.)

1982 MODEL ONLY



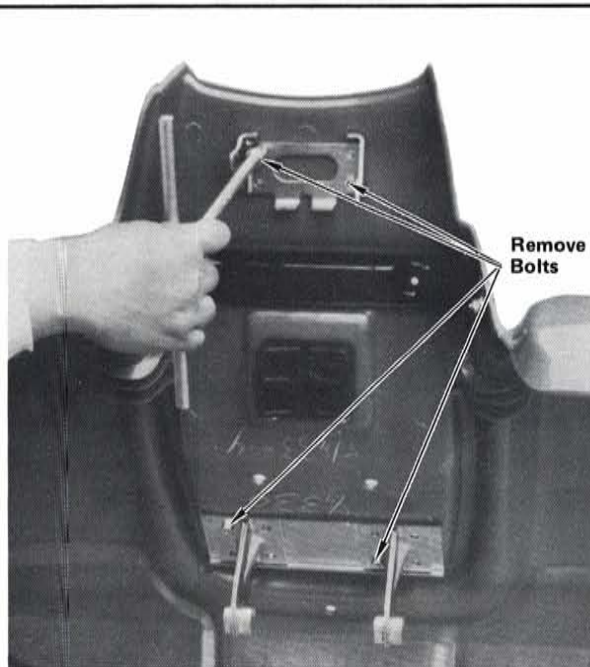
STEP 49—Check throttle lever free play. If adjustment is necessary, loosen lock nut and turn adjuster to obtain correct free play.

Throttle lever free play: 5-10 mm (3/16-3/8 in.)

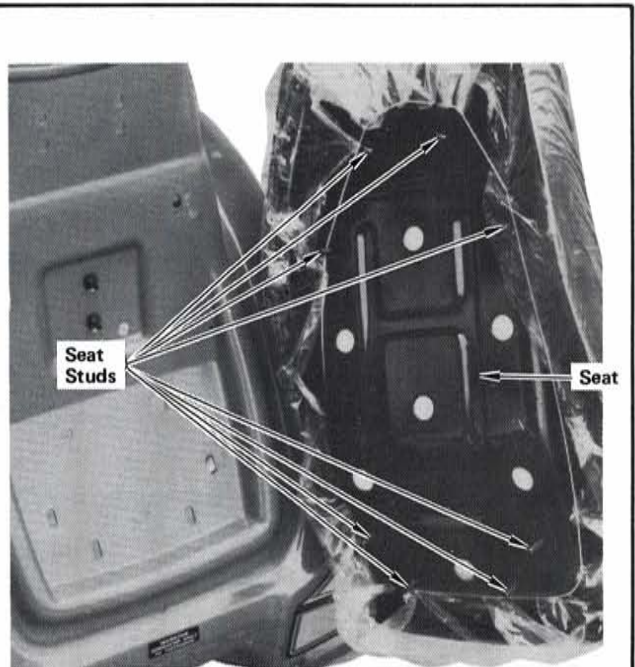


STEP 50—Remove drive chain inspection cap and check chain slack. If adjustment is necessary, loosen lock nut and move chain tensioner plate as required to obtain correct slack. After adjustment, tighten lock nut and recheck chain slack. Lubricate drive chain and reinstall chain inspection cap.

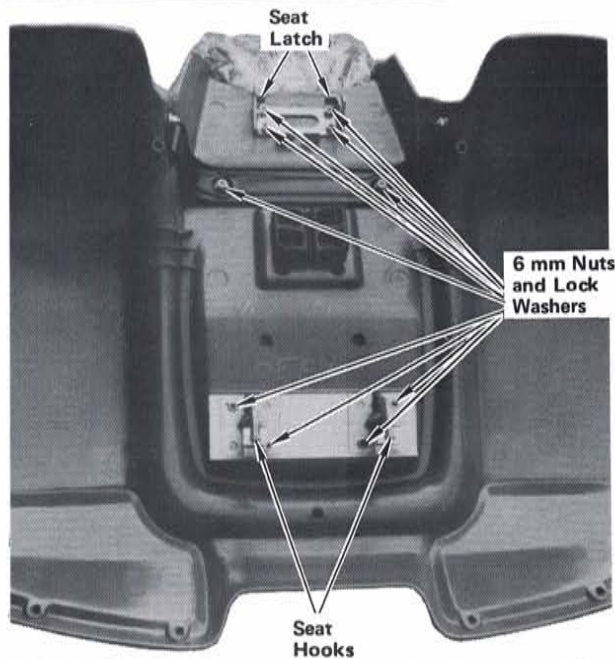
Drive chain slack: 10-20 mm (3/8-3/4 in.)



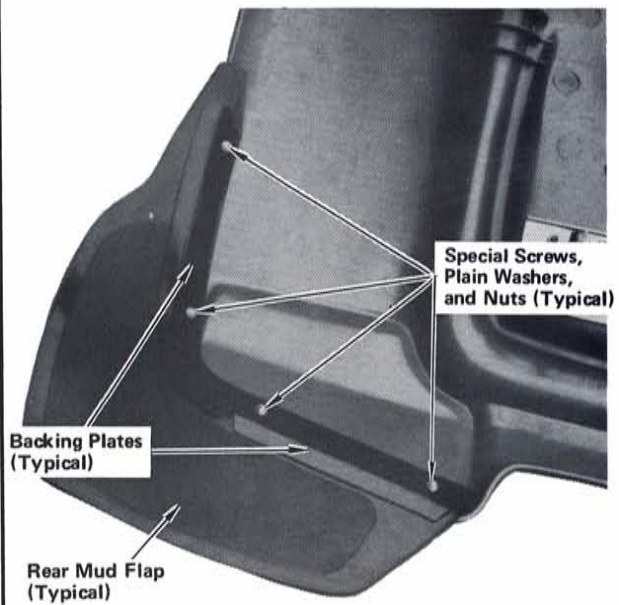
STEP 51—Remove the four 6 x 16 mm bolts, washers and nuts attaching rear fender hook and latch to fender. Discard bolts, washers and nuts.



STEP 52—Insert seat studs down through applicable holes in rear fender.



STEP 53—Position hook and latch assemblies over seat studs as shown, and install seat using ten 6 mm nuts and lock washers. Tighten nuts securely.



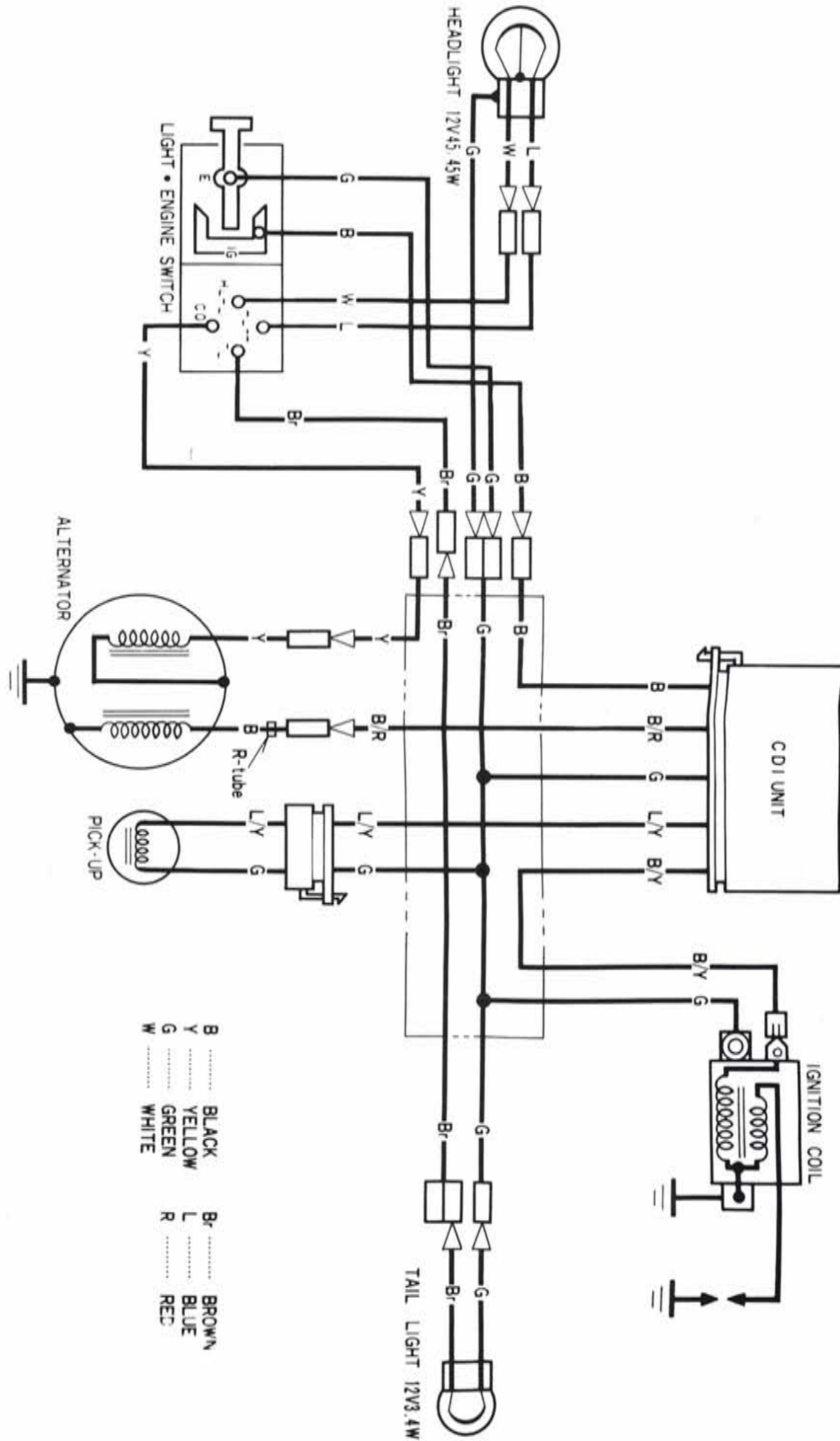
STEP 54—Install right and left rear mud flaps under fender using four special screws inserted through fender, mud flap, and backing plates, with plain washers and nuts on backing plate side. Tighten nuts securely.



STEP 55—Install and latch rear fender.

CAUTION: Use care to avoid damaging fuel tank with latches.

1982 MODEL ONLY



B BLACK
 Y YELLOW
 G GREEN
 W WHITE
 Br BROWN
 L BLUE
 R RED

LIGHT SWITCH CONTINUITY

OFF	HL-L	Co	TL	HL-H
LO	○	○	○	○
(N)	○	○	○	○
HI	○	○	○	○
COLOR	W	Y	Br	L

ENGINE SWITCH CONTINUITY

OFF	IG	E
ON	○	○
COLOR	B	G

TORQUE TABLE

ITEM	SIZE	TORQUE
Front fork bolts	10 mm (1980)	4.4 kg-m (32 lb-ft)
	12 mm (1981, 1982)	6.0 kg-m (43 lb-ft)
Handlebar holder nuts Carrying handle bolts	10 mm	4.4 kg-m (32 lb-ft)
	8 x 16 mm	2.2 kg-m (16 lb-ft)
Rear wheel flange nuts	10 x 180 mm	4.4 kg-m (32 lb-ft)
	8 mm	2.2 kg-m (16 lb-ft)
Rear axle nuts	14 mm	7.0 kg-m (51 lb-ft)
Front axle nuts	12 mm	7.0 kg-m (51 lb-ft)
Recoil starter bolts	6 x 16 mm	1.0 kg-m (8 lb-ft)
Recoil starter pulley bolts	6 x 16 mm	1.0 kg-m (8 lb-ft)
Front fender bolts	6 x 16 mm	1.0 kg-m (8 lb-ft)

NOTE: Check all items listed on the following Pre-delivery Service Check List. Refer to owner's manual for specifications and detailed procedures. Always test ride the unit to make sure that it is functioning properly.

PRE-DELIVERY SERVICE CHECK LIST

- | | |
|------------------------------------------------------------------------------------------------------------------------------------------------------------------------------------------------------------------------------------------------------------------------------------------------------------------------------------------------------------------------------------------------------------------------------------------------------------------------------------------------------------------------------------------------------------------------------------------------------------------------------------------------------------------------------------------------------------------------------------------------------------------------------------------------------------------------------------------------------------------------------------------------------------------------------------------------------------------------------------------------------------------------------------------------------------------------------------|--------------------------------------------------------------------------------------------------------------------------------------------------------------------------------------------------------------------------------------------------------------------------------------------------------------------------------------------------------------------------------------------------------------------------------------------------------------------------------------------------------------------------------------------------------------------------------------------------------------------------------------------------------------------------------------------------------------------------------------------------------------------------------------------------------------------------------------------------------------------------------------------------------------------------------------------------------------------------------------------------------------------------------------------------------------------------------------------------------------------------------------------------------------------------------------------------------------------------------------|
| <ul style="list-style-type: none"> <input type="checkbox"/> Adjust rear brake, check cable routing and check operation. <input type="checkbox"/> Drain oil from crankcase (if necessary). Re-fill crankcase with recommended oil. <input type="checkbox"/> Remove and inspect fuel tank, drain and flush. <input type="checkbox"/> Check valve clearance; adjust if necessary. <input type="checkbox"/> Reinstall fuel tank, fill, turn on petcock, and check for leaks. <input type="checkbox"/> Clean and check contact points and ignition timing; adjust if necessary. (1980) <input type="checkbox"/> Check ignition timing. (1981, 1982) <input type="checkbox"/> Adjust idle speed. <input type="checkbox"/> Adjust idle speed. <input type="checkbox"/> Check throttle lever free play, cable routing, and operation in all steering positions. <input type="checkbox"/> Adjust and lubricate drive chain. <input type="checkbox"/> Check tire pressure. | <ul style="list-style-type: none"> <input type="checkbox"/> Inspect electrical components for proper operation and adjustment. <ul style="list-style-type: none"> • Headlight switch. • Headlight: Adjust high and low beam aim. • Taillight. • Engine stop switch. <input type="checkbox"/> Check security of all nuts, bolts, and other fasteners. <input type="checkbox"/> Check to ensure that all applicable recall and product update campaigns are complied with. <input type="checkbox"/> TEST RIDE: Check performance, handling, and operation. <ul style="list-style-type: none"> • Transmission: high-low gear range selector, and clutch: Ease of shifting, clutch operation, etc. • Acceleration: Smoothness, etc. • Cruising: Smoothness, etc. • Handling: Stability and cornering. • Brakes: Smoothness and stopping power. • Idling: Smoothness, throttle response, and return to idle. • Recheck idle speed after 10 minutes of stop and go operation. • Upon completion of test ride, check for fuel and oil leaks. |
|------------------------------------------------------------------------------------------------------------------------------------------------------------------------------------------------------------------------------------------------------------------------------------------------------------------------------------------------------------------------------------------------------------------------------------------------------------------------------------------------------------------------------------------------------------------------------------------------------------------------------------------------------------------------------------------------------------------------------------------------------------------------------------------------------------------------------------------------------------------------------------------------------------------------------------------------------------------------------------------------------------------------------------------------------------------------------------|--------------------------------------------------------------------------------------------------------------------------------------------------------------------------------------------------------------------------------------------------------------------------------------------------------------------------------------------------------------------------------------------------------------------------------------------------------------------------------------------------------------------------------------------------------------------------------------------------------------------------------------------------------------------------------------------------------------------------------------------------------------------------------------------------------------------------------------------------------------------------------------------------------------------------------------------------------------------------------------------------------------------------------------------------------------------------------------------------------------------------------------------------------------------------------------------------------------------------------------|

1980 LOOSE PARTS LIST

The following is a list of items contained in the parts carton and loose parts in the crate.

DESCRIPTION	QTY	H/C	PART NUMBER
Front fender	1	072387	61100-942-000TR
Washer, plain	4	072388	94103-06000
Washer, front cover setting	4	072389	64348-086-000
Bolt, hex head, 6 x 16 mm	4	072390	92000-06016-OH
Front mud guard	1	072391	61111-942-000
Screw, 4 x 12 mm	3	072392	90164-357-000
Washer, plain, 4 mm	3	072393	94101-04000
Nut, cap, 4 mm	3	072394	94021-04000-OS
Front wheel	1	-----	-----
Rear fender	1	072395	80100-943-003ZA
Seat	1	072396	77100-943-003
Washer, lock, 6 mm	10	072397	94111-06800
Nut, hex head, 6 mm	10	072398	94001-06080
Rear mud guard	2	072399	80111-942-010
Backing plates, rear fender	2	072400	80113-943-000
Backing plates, body cover	2	072401	80112-942-000
Screw, 4 x 12 mm	8	072402	90164-357-000
Washer, plain, 4 mm	8	072403	94101-04800
Nut, hex head, 4 mm	8	072404	94001-04080-OS
Washer, lock	2	072405	94111-10800
Nut, hex head, 10 mm	2	072406	94001-10080-OS
Rear wheel	2	-----	-----
Washer, lock, 8 mm	6	072407	94111-08000
Nut, hex head, 8 mm	6	072408	94001-08000-OS
Hub, rear wheel	2	072409	42410-943-000
Pin, cotter, 3.0 x 25 mm	4	072410	94201-30250
Owner's manual (1980)	1	-----	3194301

1981 LOOSE PARTS

DESCRIPTION	QTY	H/C	PART NUMBER
Washer, lock, 10 mm	2	033092	94111-10800
Nut, hex, 10 mm	2	056212	94001-10080-OS
Hub complete, rear wheel	2	070793	42410-943-000
Washer, lock, 8 mm	6	005898	94111-08000
Nut, hex, 8 mm	6	016733	94001-08000-OS
Washer, 14 mm	2	070793	42322-943-000
Nut, castle, 14 mm	2	005842	94201-30256
Seat, complete	1	096602	77100-943-023
Fender, rear	1	-----	80100-943-0138
Catch, rear fender	1	070815	80101-943-000
Bracket, fender support	1	070817	80106-943-000
Hinge, complete, rear fender	1	070816	80102-943-000
Nut, flange	10	061268	94050-06080
Mud guard, rear	2	070917	80111-942-010

1981 LOOSE PARTS LIST (Continued)

DESCRIPTION	QTY	H/C	PART NUMBER
Plate, body cover, rear	2	096596	80112-943-000
Plate, fender side	2	070818	80113-943-000
Screw, 4 x 12 mm	8	032208	90164-357-000
Nut, hex, 4 mm	8	056211	94001-04080-OS
Washer, plain, 4 mm	8	033146	94101-04800
Fender, front	1	-----	61100-943-010Z
Mud guard, front	1	096603	61111-943-000
Washer, front cover	4	029937	64348-086-000
Bolt, hex, 6 x 16 mm	4	062380	92000-0601-OH
Washer, plain, 6 x 20 mm	4	019149	90512-300-000
Nut, special	3	080239	01304-162-003
Screw, special, 6 x 7 mm	3	081065	90102-673-003
Collar, front axle	2	023386	44302-918-000
Collar	2	039875	44311-942-000
Axle, front wheel	1	039874	44301-942-010
Nut, castle, 12 mm	2	023401	94011-12000-OS
Pin, cotter, 3.0 x 25 mm	4	005842	94201-30250
Carrying handle	1	070819	81200-943-000
Bolt, hex, 10 x 180 mm	1	026307	90196-918-000
Nut, flange, 10 mm	1	096662	94050-10800
Bolt-washer, 8 x 16 mm	2	067726	93492-08016-08
Owner's manual (1981)	1	094859	3194302

1982 LOOSE PARTS

The following is a list of items contained in the parts carton and loose parts.

DESCRIPTION	QTY	H/C	PART NUMBER
Handlebar assy	1	-----	-----
Washer, lock 10 mm	2	033092	94111-10800
Nut, hex, 10 mm	2	-----	94001-10080
Rear wheel assy	2	-----	-----
Washer, lock, 8 mm	8	005898	94111-08000
Nut, hex, 8 mm	8	005803	94001-08000
Hub complete, rear wheel	2	107554	42410-958-670
Washer, 14 mm	2	107432	42322-950-000
Nut, cattle, 14 mm	2	005842	94201-30250
Seat assy	1	-----	-----
Fender assy, rear	1	-----	-----
Catch, rear fender	1	070815	80101-943-000
Bracket, fender support	1	070817	80106-943-000
Nut, flange, 6 mm	10	061268	94050-06080
Hinge, complete, rear fender	1	070816	80102-943-000
Mud guard, rear	2	070917	80111-942-010
Plate, fender side	2	070818	80113-943-000
Plate, rear	2	096596	80112-943-000
Bolt, screw, 4 x 12 mm	8	032208	90164-357-000
Washer, plain, 4 mm	8	033146	94101-04800

1982 LOOSE PARTS (Continued)

DESCRIPTION	QTY	H/C	PART NUMBER
Nut, flange, 4 mm	8	056211	94001-04080-0S
Fender, front	1	096604	61100-943-010ZA
Washer, 6 x 20 mm	4	019149	90512-300-000
Washer, front, cover	4	029937	64348-086-000
Bolt, hex, 6 x 16 mm	4	062380	92000-06016-04
Mud guard, front	1	096603	61111-943-000
Nut, set	3	080239	61304-162-003
Screw, special, 6 x 7 mm	3	081065	90102-673-003
Wheel assy, front	1	-----	-----
Collar, axle, front	2	-----	44302-958-000
Collar, front side	2	084233	44312-958-000
Axle, front wheel	1	100270	44301-958-670
Nut, special, 12 mm	2	095562	90305-169-000
Pipe complete, carrier	1	070819	81200-943-000
Bolt, hex, 10 x 180 mm	1	026307	90196-918-000
Nut, flange, 10 mm	1	096662	94050-10800
Bolt, washer, 8 x 16 mm	2	-----	93492-08016-0S
O-ring, 13.5 x 1.4 mm	2	034790	91307-611-000
Owner's manual	1	106994	3194303

(

(

(

(

(

(

(

READ THIS READ THIS READ THIS

HONDA

MODIFICATIONS WHICH YOU HAVE MADE, OR SHOULD MAKE IN THE FUTURE, TO ANY HONDA MOTORCYCLE, SHALL BE DEEMED BY OUR COMPANY TO HAVE BEEN PERFORMED AT YOUR SOLE RISK AND RESPONSIBILITY, AND WITHOUT OUR COMPANY'S OR THE MANUFACTURER'S APPROVAL OR CONSENT, IMPLIED OR EXPRESSED. WE FURTHER DISCLAIM ANY AND ALL LIABILITY, OBLIGATION, OR RESPONSIBILITY FOR ANY DEFECTS OF MODIFIED PARTS OR OF THE MODIFIED MOTORCYCLE, AND FOR ANY CLAIMS, DEMANDS, OR CAUSES OF ACTION FOR DAMAGE TO PROPERTY OR FOR PERSONAL INJURIES RESULTING FROM THE MODIFICATION OF SAID HONDA MOTORCYCLE.

READ THIS READ THIS READ THIS

READ THIS READ THIS READ THIS