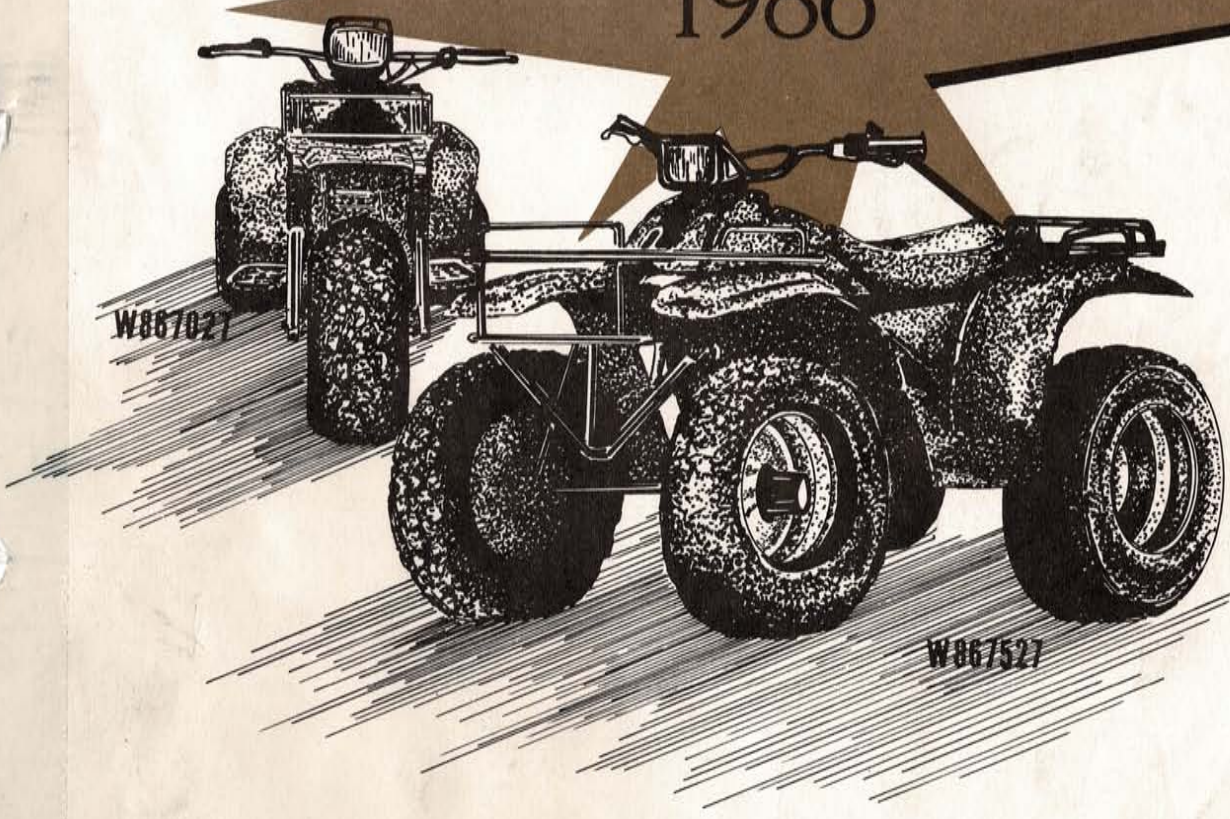


POLARIS

DARK Blue

1986



***ATV* PARTS MANUAL**

CONTENTS

VISUAL INDEX	iii
CATALOG SECTION	1
Figure 1. Body Assembly	2
List	3
Figure 2. Frame Assembly with Racks-Trail Boss	4
List	5
Figure 3. Frame Assembly with Racks-Scrambler	6
List	7
Figure 4. Engine and Muffler Mounting	8
List	9
Figure 5. Front Fender-Scrambler	10
List	10
Figure 6. Head Light Assembly	11
List	11
Figure 7. Fuel Tank Assembly-Trail Boss	12
List	13
Figure 8. Fuel Tank Assembly-Scrambler	14
List	15
Figure 9. Steering Assembly-Trail Boss	16
List	17
Figure 10. Hand Control Cables	18
List	19
Figure 11. Front Fork Assembly-Scrambler	20
List	21
Figure 12. Steering Assembly-Scrambler	22
List	23
Figure 13. Strut Assembly-Trail Boss	24
List	25
Figure 14. Front Wheel Assembly-Trail Boss	26
List	27
Figure 15. Rear Wheel Drive Assembly	28
List	29
Figure 16. Front Wheel and Brake Assembly	30
List	30
Figure 17. Air Box Assembly	31
List	31
Figure 18. Swing Arm Weldment and Rear Shock Assembly	32
List	33
Figure 19. Clutch Cover Assembly	34
List	34
Figure 20. Drive Clutch Assembly	35
List	35
Figure 21. Driven Clutch Assembly	36
List	36
Figure 22. Right Hand Gearcase & Brake Mounting	37
List	37
Figure 23. Gearcase Assembly	38
List	39
Figure 24. Wire Harness	40
List	41
Figure 25. Crankcase and Cylinder Assembly	42
List	43
Figure 26. Crankshaft and Piston Assembly	44
List	45
Figure 27. Oil Pump Assembly	46
List	47
Figure 28. Carburetor Assembly	48
List	49
Figure 29. Starting Motor Assembly	50
List	51
Figure 30. Magneto Assembly	52
List	53
Figure 31. Recoil Starter Assembly	54
List	55
Figure 32. Tool Kit Assembly	56
List	56

1947

1947

1947

1947

1947

1947

1947

1947

1947

1947

1947

1947

1947

1947

1947

1947

1947

1947

1947

1947

1947

1947

1947

1947

1947

1947

1947

1947

1947

1947

1947

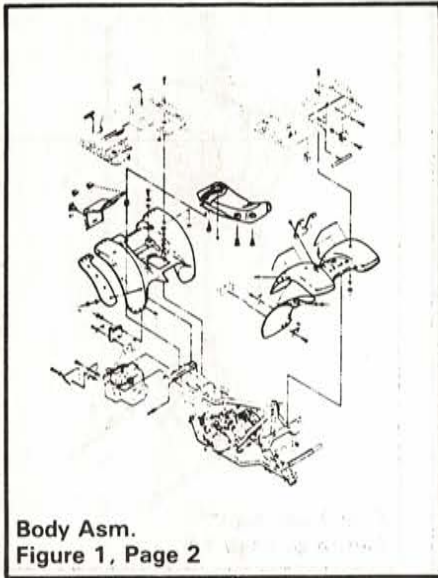
1947

1947

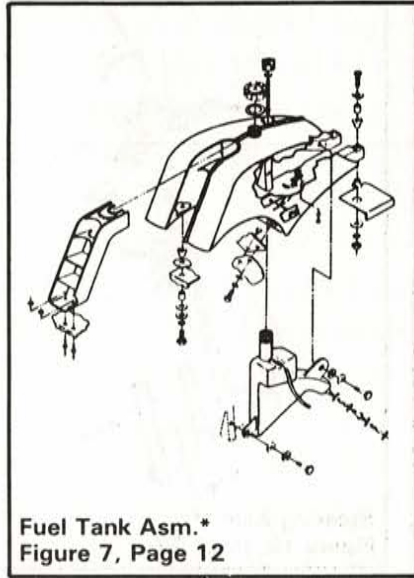
1947

1947

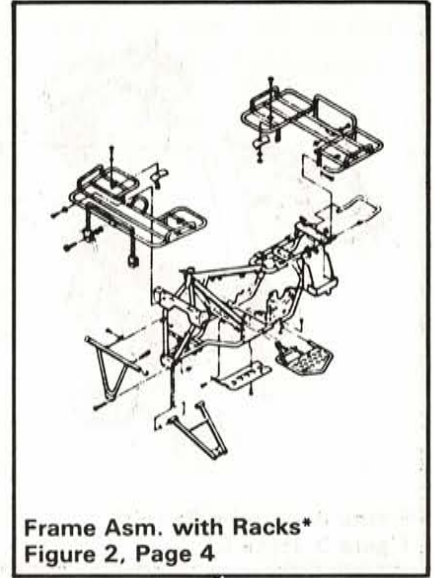
Visual Index I



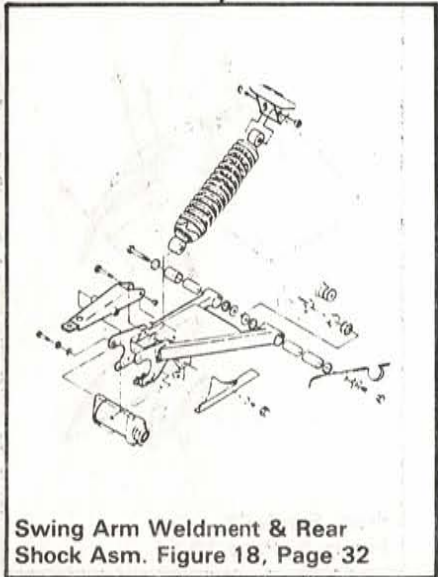
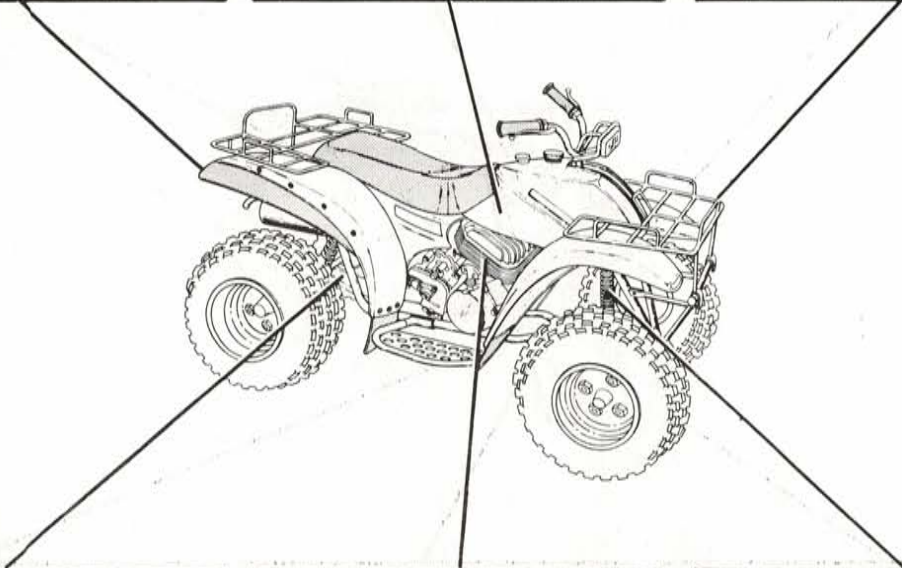
Body Asm.
Figure 1, Page 2



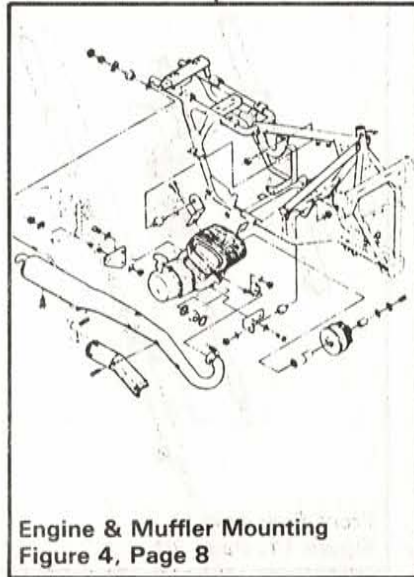
Fuel Tank Asm.*
Figure 7, Page 12



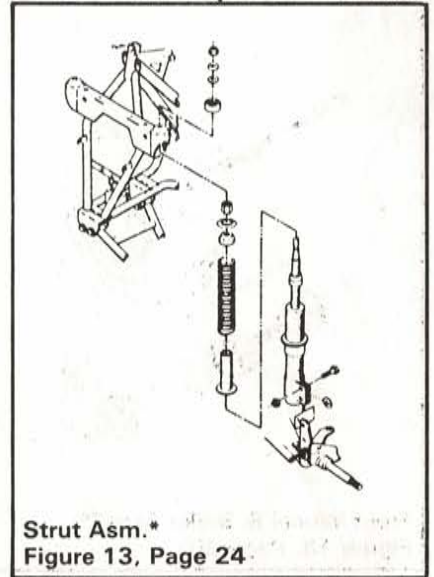
Frame Asm. with Racks*
Figure 2, Page 4



Swing Arm Weldment & Rear
Shock Asm. Figure 18, Page 32



Engine & Muffler Mounting
Figure 4, Page 8

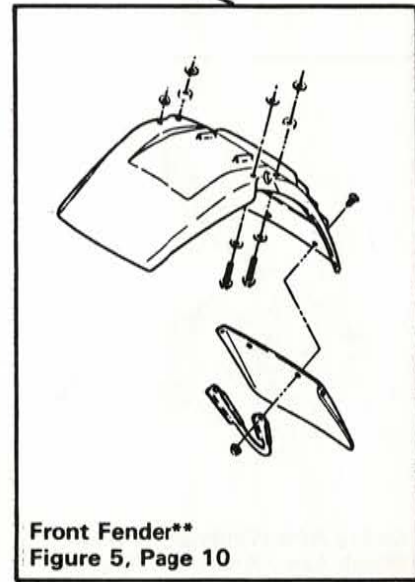
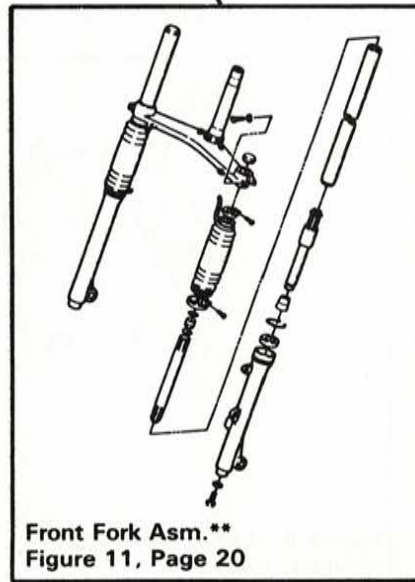
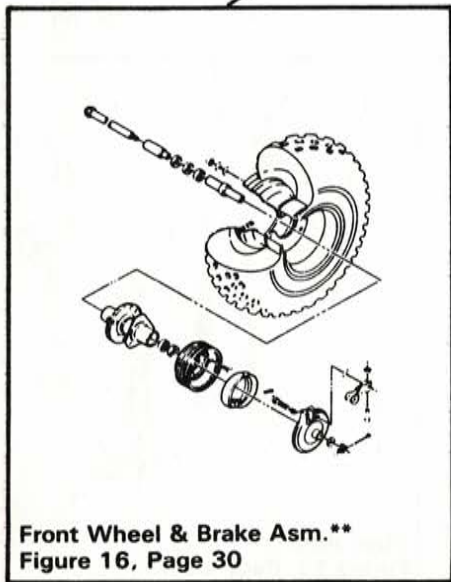
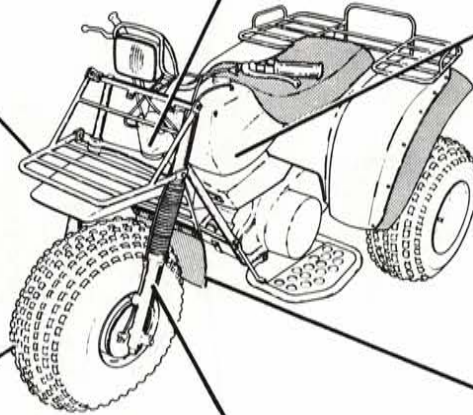
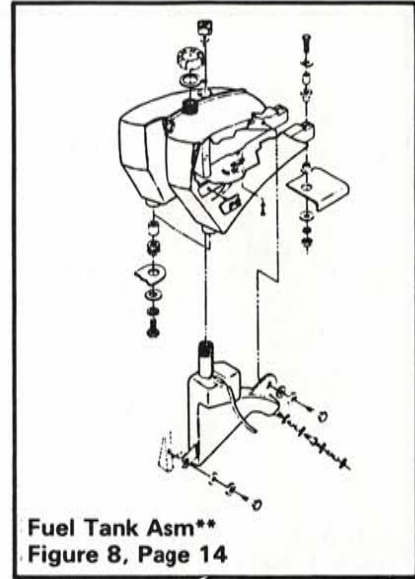
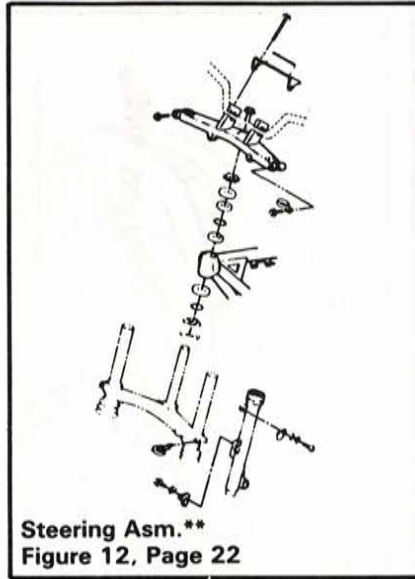
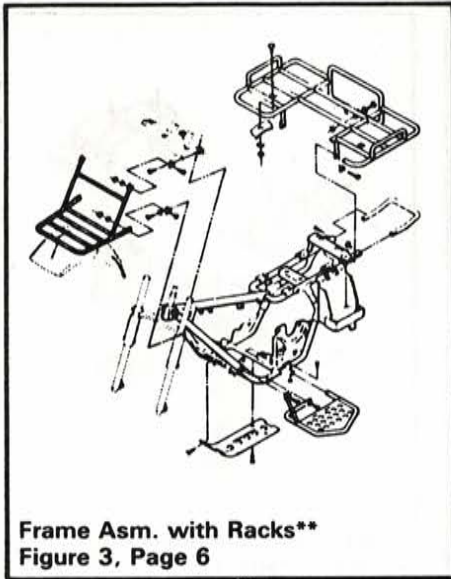


Strut Asm.*
Figure 13, Page 24

*USED ON TRAIL BOSS ONLY

**USED ON SCRAMBLER ONLY

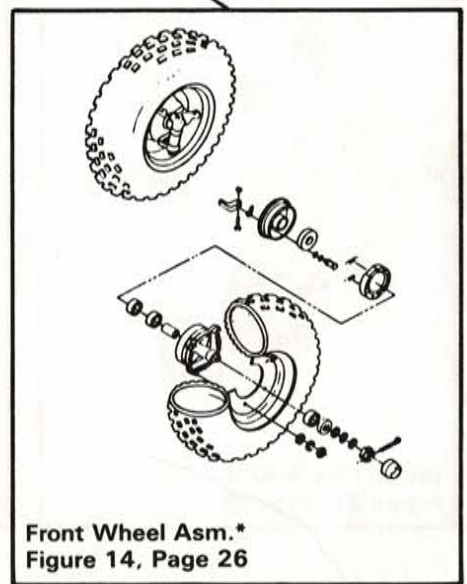
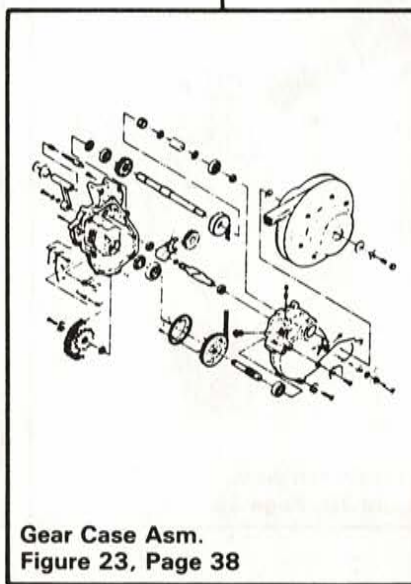
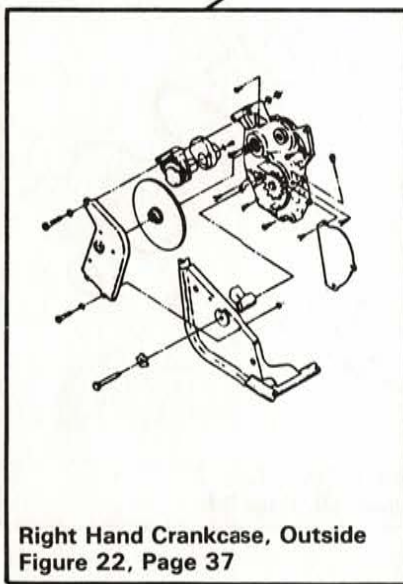
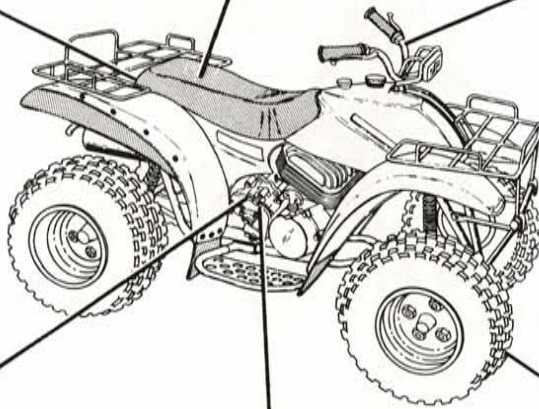
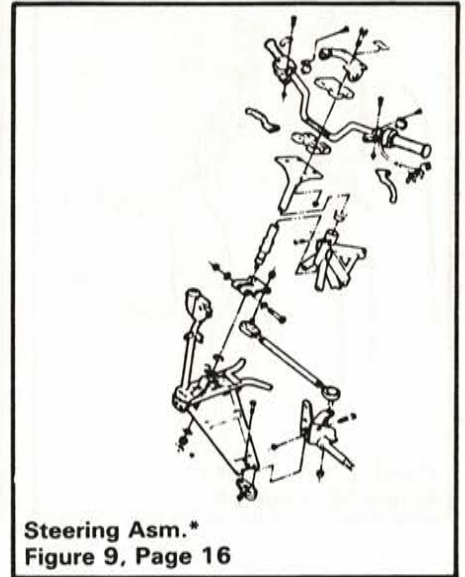
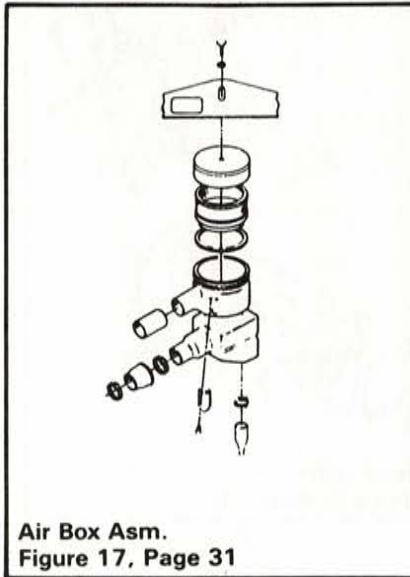
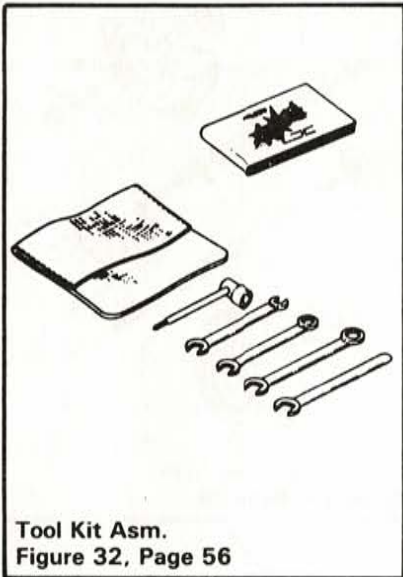
Visual Index II



*USED ON TRAIL BOSS ONLY

**USED ON SCRAMBLER ONLY

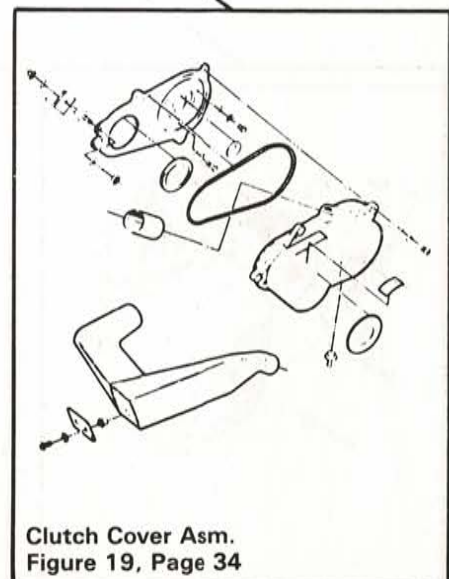
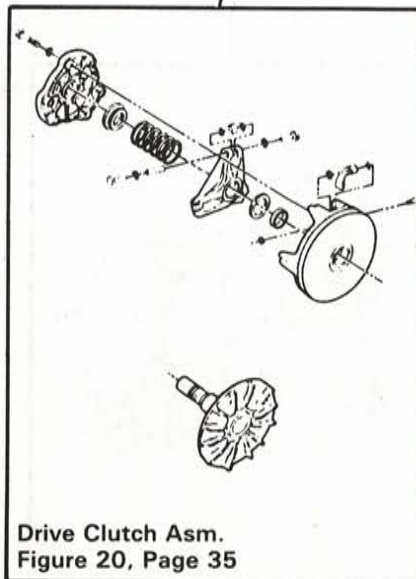
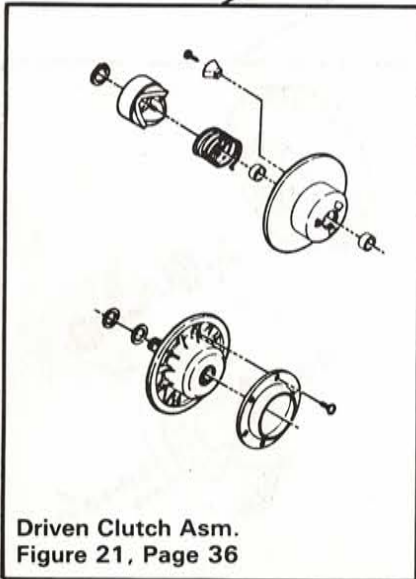
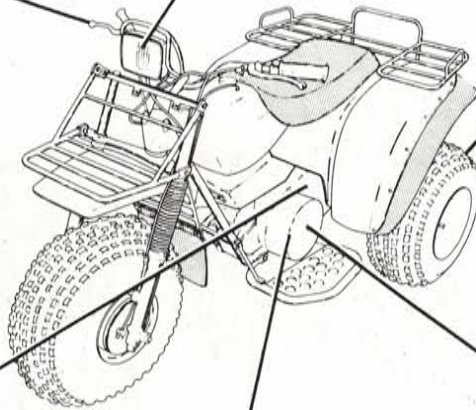
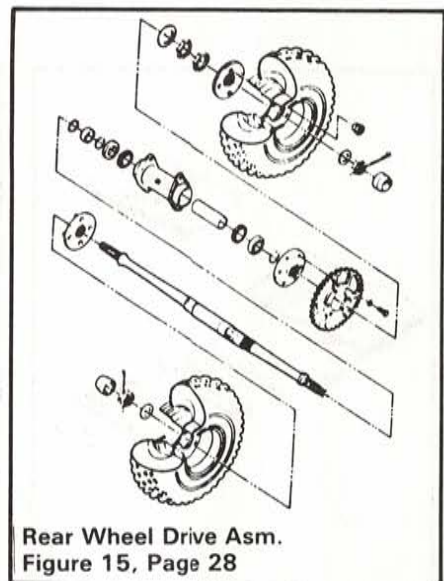
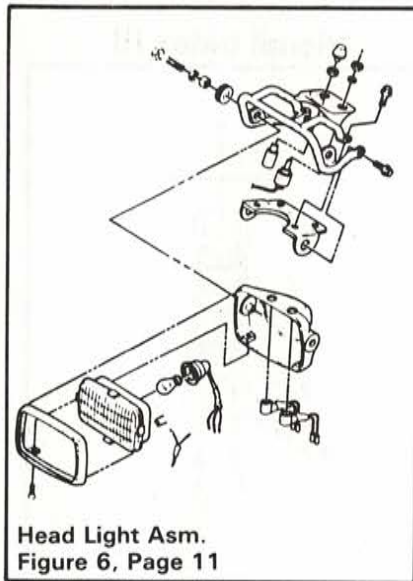
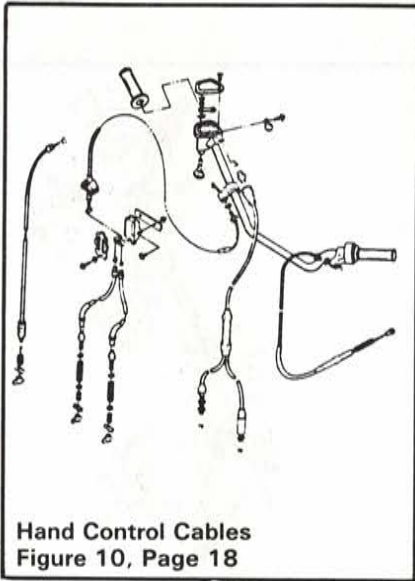
Visual Index III



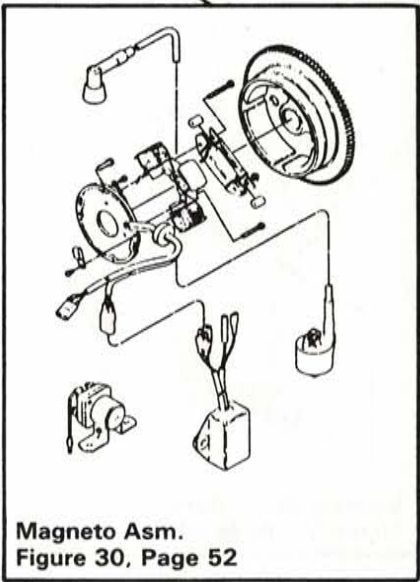
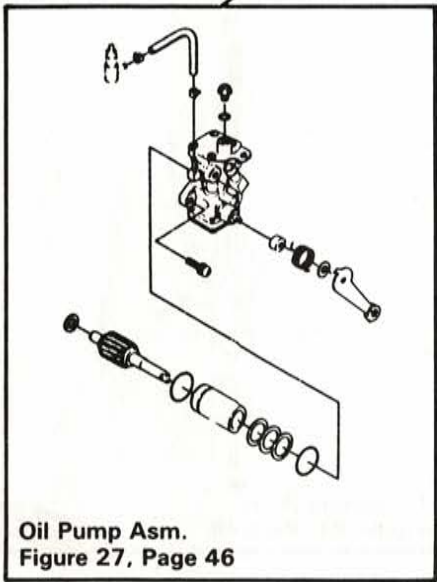
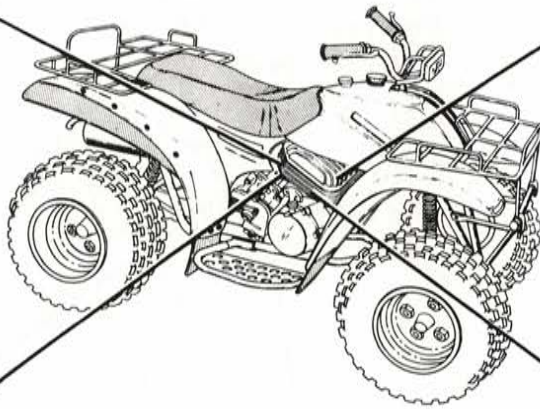
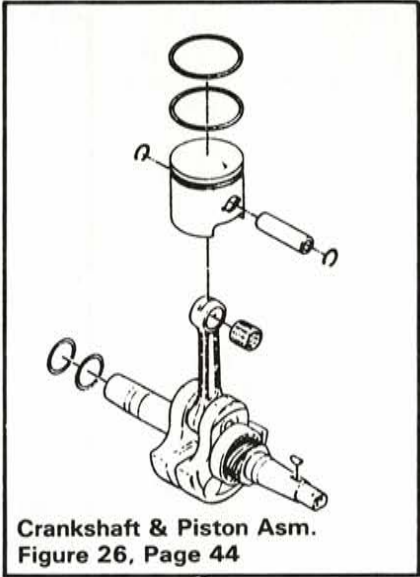
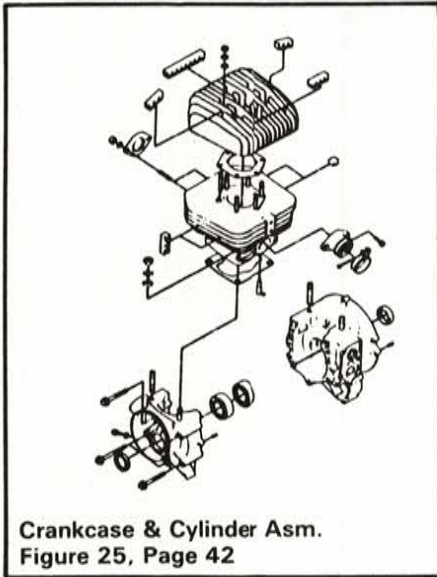
*USED ON TRAIL BOSS ONLY

**USED ON SCRAMBLER ONLY

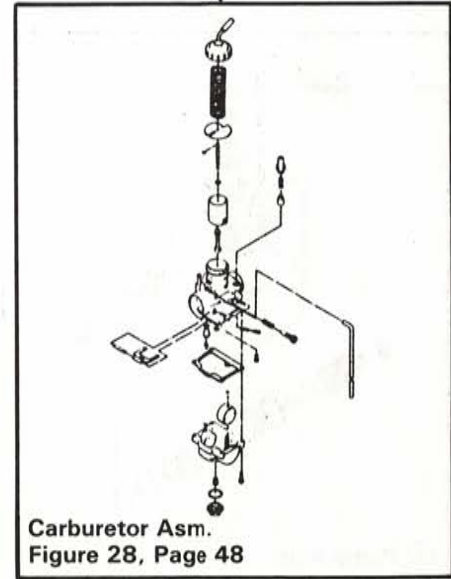
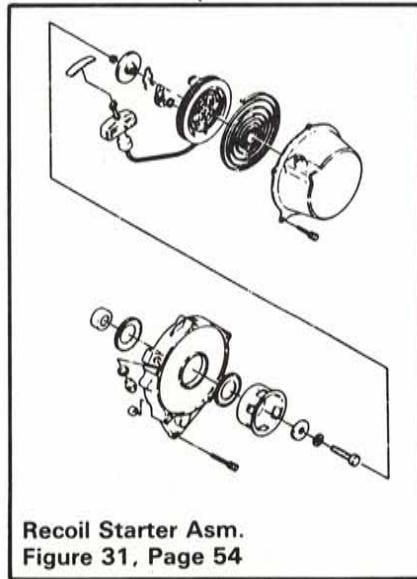
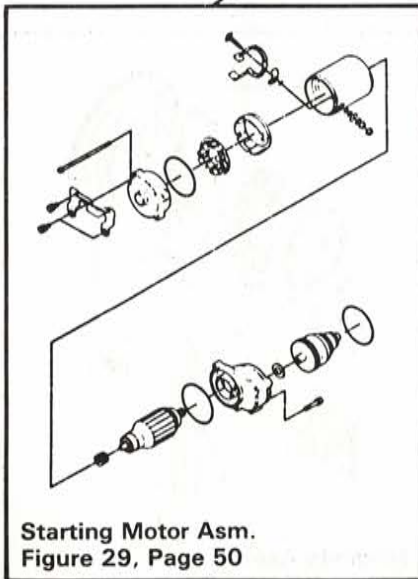
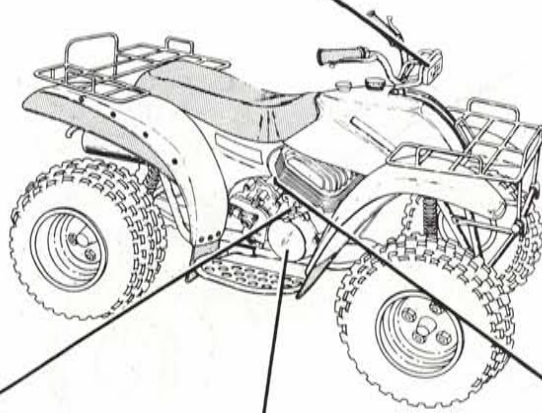
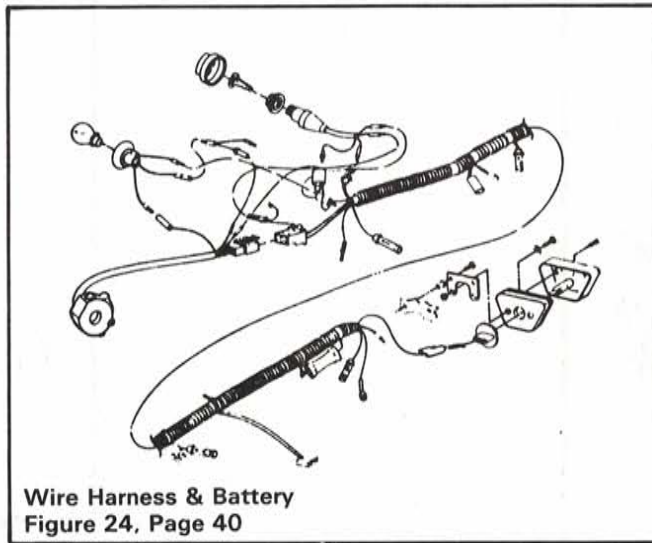
Visual Index IV



Visual Index V



Visual Index VI



FIELD OR SCRAMBLER
AND TRAIL HOSE

CATALOG SECTION

**USED ON SCRAMBLER
AND TRAIL BOSS**

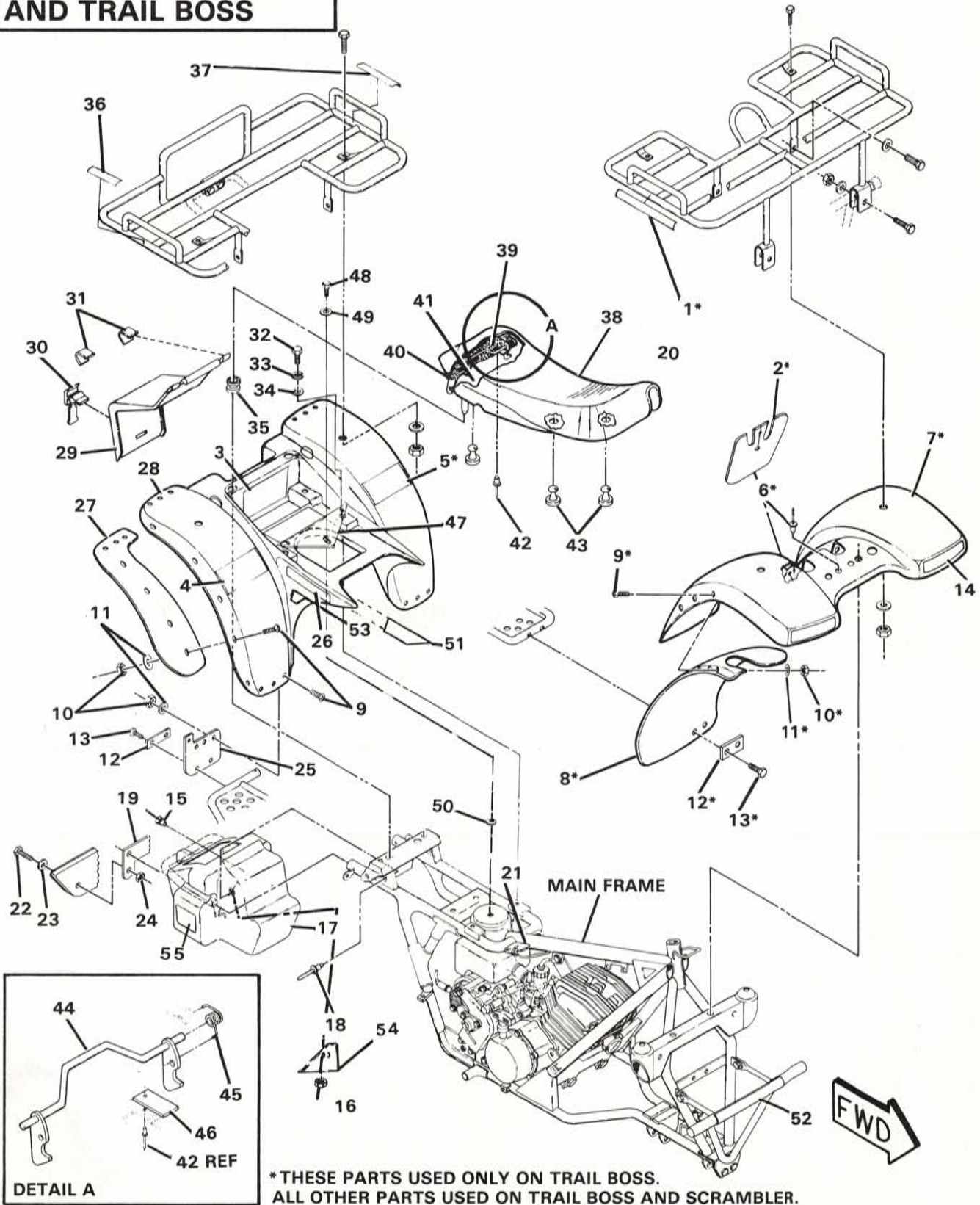


Figure 1. Body Assembly. See List 1.

Body Assembly

Ref. No.	Part No.	Qty.	Description
1	7072238*	1	Decal
2	5850070*	1	Flap, Splash Guard
3	7072247*	1	Decal, Spec (Trail Boss)
3	7072235	1	Decal, Spec (Scrambler)
4	7072276	1	Decal, Warning (French)
4	7072277	1	Decal, Warning (Spanish)
4	7072282	1	Decal, Warning, Lt. Blue (French)
4	7072281	1	Decal, Warning, Red (French)
5	7072275	1	Decal, Warning (English)
5	7072284	1	Decal, Warning, Lt. Blue (English)
5	7072283	1	Decal, Warning, Red (English)
6	7621457*	2	Pop Rivet
7	5430756*	1	Cab Front
7	5430836	1	Cab Front, Red
7	5430835	1	Cab Front, Lt. Blue
8	5850071*	1	Mud Flap, Front, L.H.
8	5850072*	1	Mud Flap, Front, R.H.
9	7512273	30	Bolt
10	7542122	30	Nut
11	7558301	30	Washer
12	5211020	4	Bracket, Mud Flap
13	7512232	8	Bolt
14	7072255*	1	Decal
15	7621462	4	Pop Rivet
16	7558212	4	Rivet Burr
17	5430774	1	Compartment, Tool Box
18	7621457	2	Pop Rivet
19	5210985	1	Bracket, Tail Light
20	2681240	1	Seat Assy. (Incl. 38-43)
21	7080272	1	Strap, Blk. Weather Resistant
22	7511930	2	Bolt
23	7558203	2	Washer
24	7541925	2	Nut

Ref. No.	Part No.	Qty.	Description
25	5850062	1	Mud Flap, Rear, L.H.
25	5850066	1	Mud Flap, Rear, R.H.
26	7072271*	2	Decal (Trail Boss)
26	7072232	2	Decal (Scrambler)
26	7072279	1	Decal (Trail Boss) Lt. Blue
26	7072280	1	Decal (Trail Boss) Red
27	5850060	1	Mud Flap, Rear, L.H.
27	5850061	1	Mud Flap, Rear, R.H.
28	5430757	1	Cab, Rear, Midnight Blue
28	5430838	1	Cab, Rear, Red
28	5430837	1	Cab, Rear, Lt. Blue
29	5430769	1	Lid, Tool Box
30	5410425	1	Strap, Rubber
31	7670050	2	Clip, Lid Hinge
32	7512111	2	Bolt
33	7552801	2	Lock Washer
34	7558301	2	Washer
35	5410413	2	Grommet
36	7072237	1	Decal
37	7072238	1	Decal
38	2681241	1	Covering, Seat
39	5430803	1	Foam Bun, Seat
40	N/A	AR	Staple
41	5430773	1	Base, Seat
42	7621403	2	Pop Rivet
43	5410414	6	Bumper, Rubber
44	1011558	1	Weldment, Seat Latch
45	7041158	1	Spring, Latch
46	5211033	2	Bracket, Lever Retainer
47	5220560	1	Bracket, Air Box
48	7512307	1	Bolt
49	7552901	1	Washer
50	7555716	1	Washer
51	5810309	1	Foil Tape
52	7072233*	1	Decal
53	7072229	1	Decal
54	5810314	2	Flap
55	5810310	1	Foil Tape

*THESE PARTS USED ONLY ON TRAIL BOSS.

ALL OTHER PARTS USED ON TRAIL BOSS AND SCRAMBLER.

**USED ONLY ON
TRAIL BOSS**

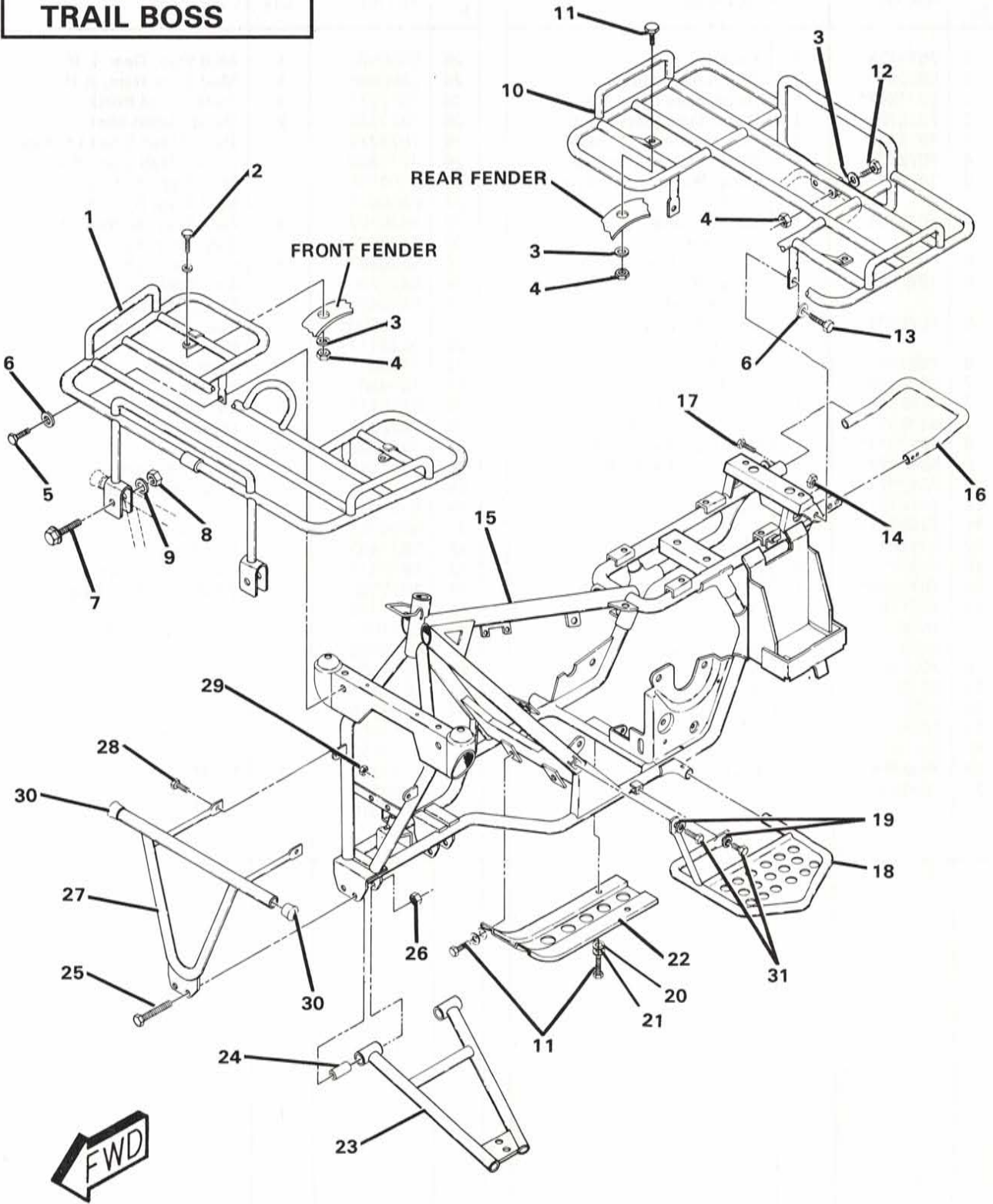


Figure 2. Frame Assembly with Racks—Trail Boss. See List 2.

Frame Assembly with Racks—Trail Boss

Ref. No.	Part No.	Qty.	Description
1	2670088	1	Weldment, Rack, Front
2	7512269	2	Bolt
3	7558302	6	Washer
4	7542124	6	Nut
5	7512310	2	Bolt
6	7558403	2	Washer
7	7515319	2	Bolt
8	7542327	2	Nut
9	7558403	2	Washer
10	2670089	1	Weldment, Rack, Rear
11	7512269	6	Bolt
12	7512270	2	Bolt
13	7512310	2	Bolt
14	7542327	2	Nut
15	1011562	1	Weld, Frame
16	5224262	1	Bumper, Rear
17	7512232	4	Bolt

Ref. No.	Part No.	Qty.	Description
18	1040109	1	Foot Rest, L.H.
18	1040110	1	Foot Rest, R.H.
19	7552901	4	Lock Washer
20	7558302	4	Washer
21	7552801	4	Washer
22	5220615	1	Rock Guard
23	1580001	1	Weld, A Frame, L.H.
23	1580002	1	Weld, A Frame, R.H.
24	5332801	4	Bushing
25	7512548	4	Bolt
26	7542503	4	Nut
27	2670086	1	Bumper
28	7515481	2	Bolt
29	7542439	2	Nut
30	5430823	2	Cap
31	7512315	4	Bolt

**USED ONLY ON
SCRAMBLER**

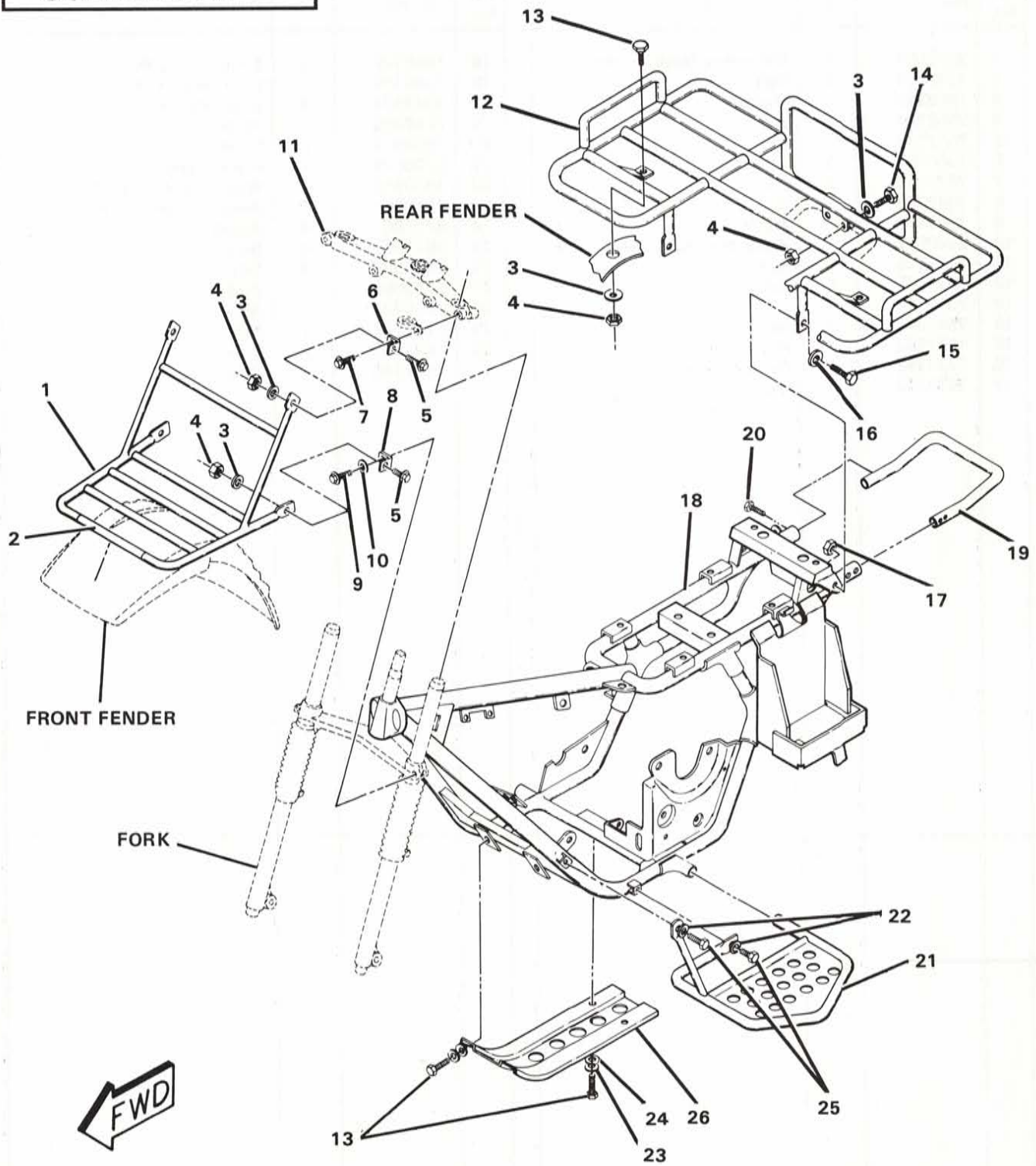


Figure 3. Frame Assembly with Racks—Scrambler. See List 3.

Frame Assembly with Racks—Scrambler

Ref. No.	Part No.	Qty.	Description
1	2670087	1	Weldment, Rack, Front
2	7072238	2	Decal, Warning
3	7558302	8	Washer
4	7542124	8	Nut
5	7512216	4	Bolt
6	5220473	2	Bracket, Upper
7	1844009	2	Bolt, Flange
8	5220465	2	Bracket, Lower
9	1844025	2	Bolt
10	1844026	2	Spring Washer
11	1844008	1	Crown, Handle
12	2670089	1	Weldment, Rack, Rear
13	7512269	6	Bolt
14	7512270	2	Bolt

Ref. No.	Part No.	Qty.	Description
15	7512310	2	Bolt
16	7558403	2	Washer
17	7542327	2	Nut
18	1011561	1	Weld, Frame
19	5224262	1	Bumper, Rear
20	7512223	4	Bolt
21	1040111	1	Foot Rest, L.H.
21	1040112	1	Foot Rest, R.H.
22	7552901	4	Lock Washer
23	7552801	4	Washer
24	7558302	4	Washer
25	7512315	4	Bolt
26	5220615	1	Rock Guard

**USED ON SCRAMBLER
AND TRAIL BOSS**

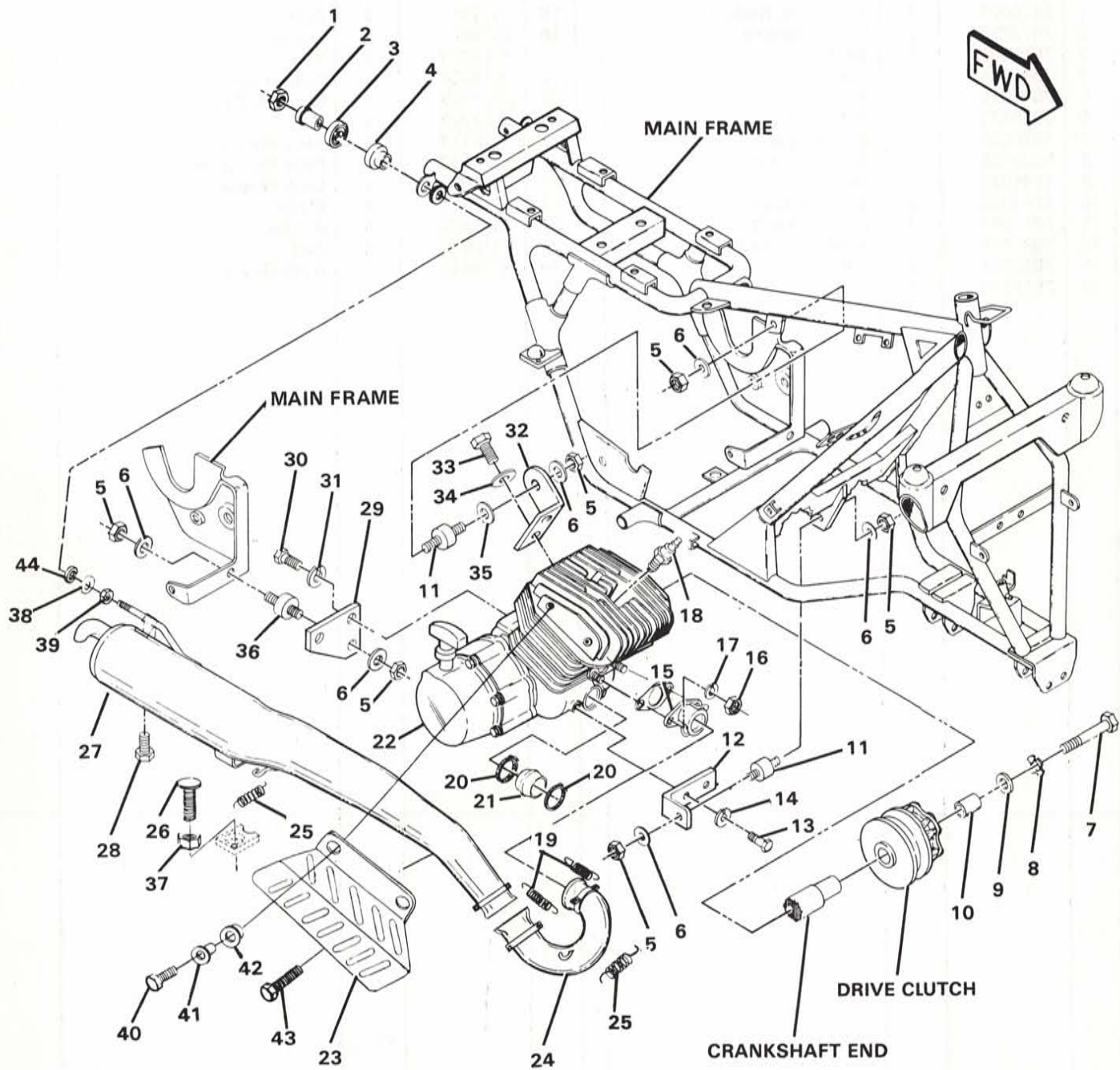


Figure 4. Engine and Muffler Mounting. See List 4.

Engine and Muffler Mounting

Ref. No.	Part No.	Qty.	Description
1	7542324	1	Nut
2	5020438	1	Bushing, Muffler Mtg.
3	5220630	1	Cap, Vibration Dampner
4	5410326	1	Dampner, Vibration
5	7542403	6	Nut
6	7555801	6	Washer
7	7512566	1	Bolt
8	7575202	1	Lock Washer
9	5210748	1	Washer
10	5430261	1	Bushing
11	3110026	2	Motor Mount
12	5220589	1	Plate, Front Mt.
13	7512490	2	Bolt
14	7553001	2	Lock Washer
15	1260509	1	Weldment, Manifold
16	3080285	2	Nut
17	3080530	2	Lock Washer
18	3070167	1	Spark Plug
19	3081078	4	Spring, Exhaust
20	7080272	2	Strap
21	5410421	1	Boot Clutch
22	1211444	1	Engine

Ref. No.	Part No.	Qty.	Description
23	5220671	1	Heat Shield, Muffler
24	1260511	1	Weld Headpipe
25	7042029	2	Spring, Exhaust
26	3110030	1	Support
27	1260510	1	Muffler
28	7512666	1	Bolt
29	5220588	1	Plate, Rear Mount
30	7512490	2	Bolt
31	7553001	2	Lock Washer
32	5220471	1	Engine Mount, Top
33	7515321	2	Bolt
34	7552901	2	Lock Washer
35	5430802	1	Insulator, Motor Mount
36	3110028	1	Motor Mount
37	7542401	1	Nut
38	7555716	1	Washer
39	7542301	1	Nut
40	3083730	2	Bolt & Washer Assy.
41	3083732	3	Collar
42	3083731	3	Mounting Rubber
43	3083729	1	Bolt & Washer Assy.
44	5410436	1	Washer

**USED ONLY ON
SCRAMBLER**

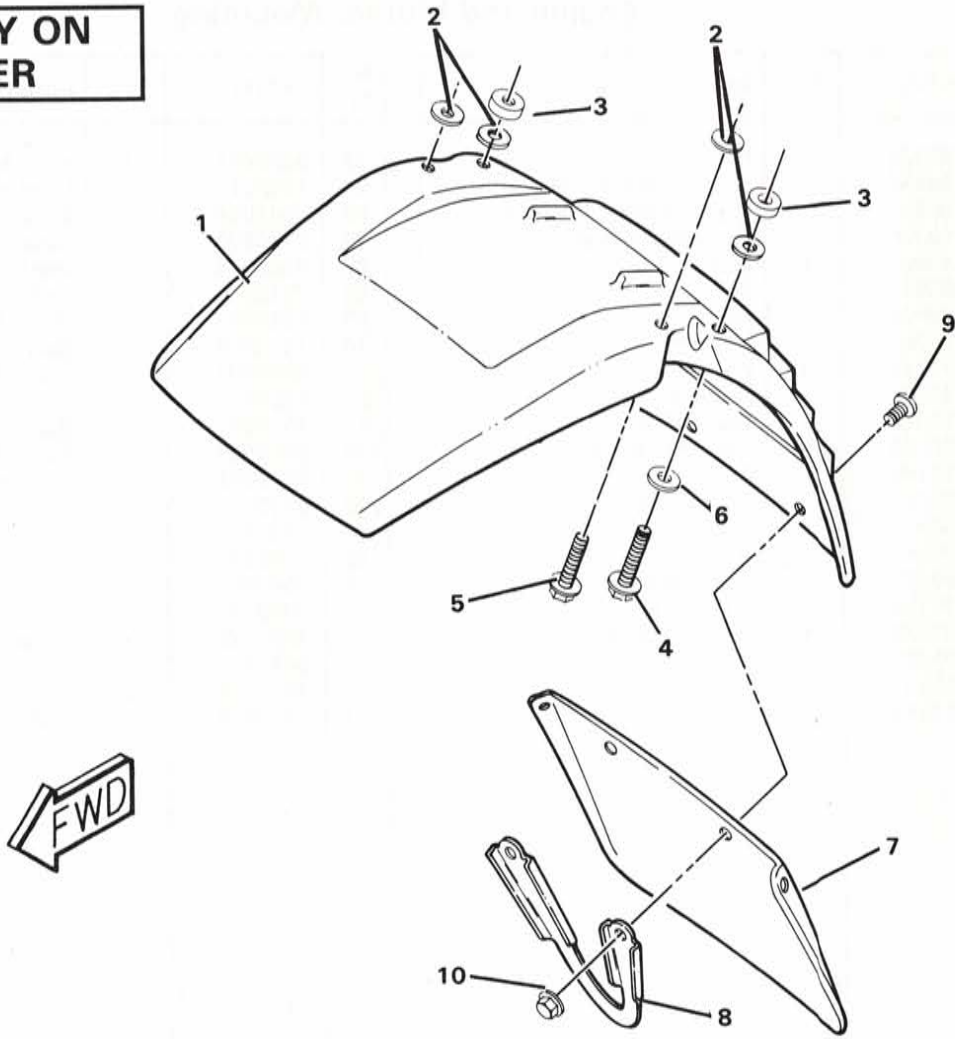


Figure 5. Front Fender–Scrambler. See List 5.

Ref. No.	Part No.	Qty.	Description
1	2640001	1	Fender, Front
2	2640003	4	Washer
3	5020445	2	Spacer, Front Fender
4	7516713	2	Bolt
5	2640005	2	Bolt with Washer

Ref. No.	Part No.	Qty.	Description
6	7558203	2	Washer
7	5850067	1	Mudflap, Front
8	2640006	1	Plate
9	2640007	4	Screw
10	2640008	4	Nut

**USED ON SCRAMBLER
AND TRAIL BOSS**

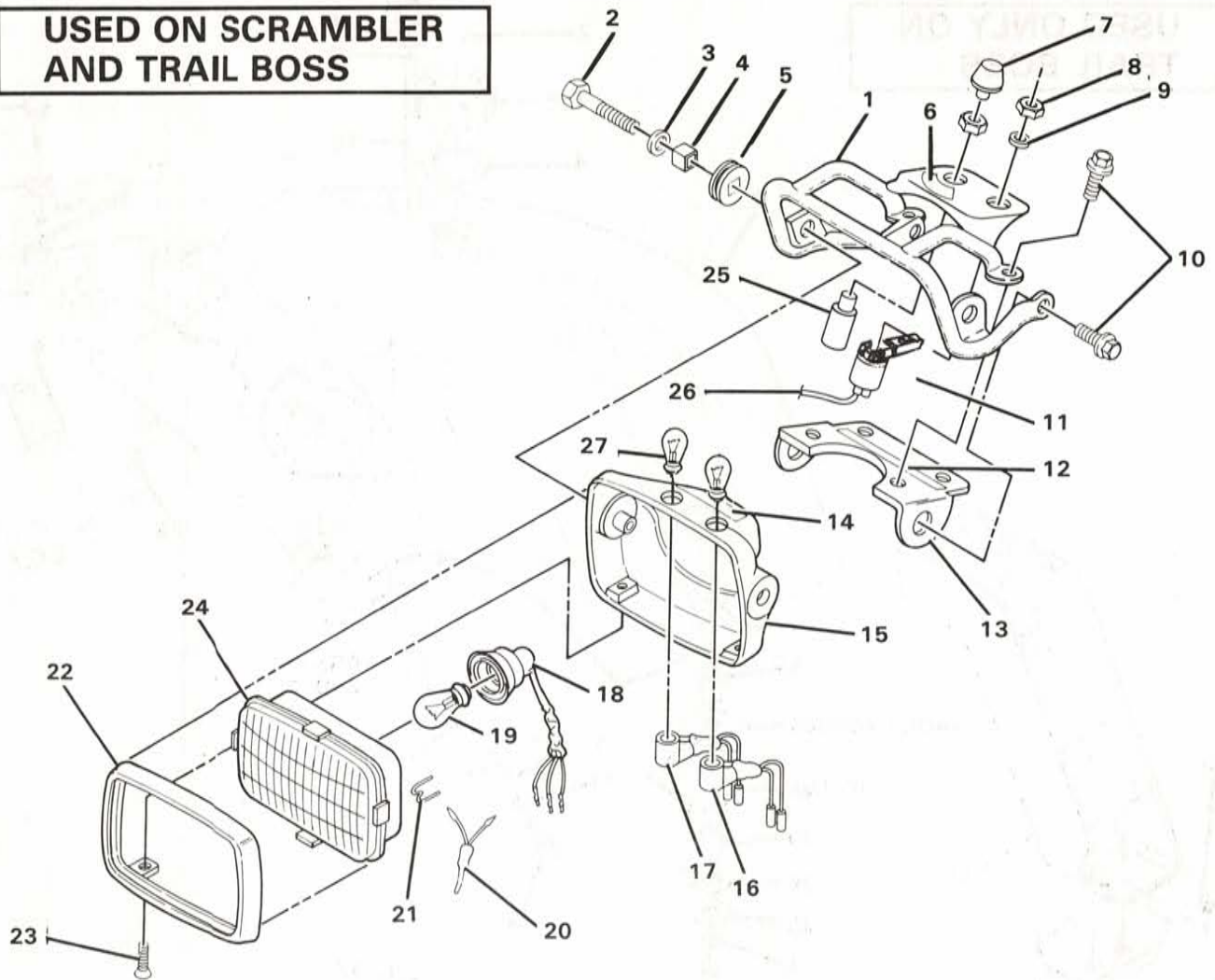


Figure 6. Head Light Assembly. See List 6.

Ref. No.	Part No.	Qty.	Description
1	4032006	1	Headlight Stay
2	4032024	2	Bolt
3	4032025	2	Washer
4	4032022	2	Collar
5	4032023	2	Damper Headlight
6	7072256	1	Decal, Ignition
7	5410433	1	Cover, Ignition Key
8	7080229	1	Choke Nut
9	5430816	1	Insert, Choke Mount
10	7512252	4	Screw
11	2200188	1	Lever Kit
12	7072244	1	Decal, Oil Level/Park
13	5220484	1	Bracket (Trail Boss)
13	5220487	1	Bracket (Scrambler)

Ref. No.	Part No.	Qty.	Description
14	7072257	1	Decal, Indicator Light
15	4032012	1	Headlight Body Assembly
16	4032027	1	Pilot Light, Hi/Lo
17	4032026	1	Pilot Light, Reverse
18	4032011	1	Socket Cord Assembly
19	4032007	1	Bulb, Headlight
20	2460248	1	Harness Highbeam Indicator
21	4032010	4	Spring, Reflector
22	4032009	1	Rim, Headlight
23	4032013	2	Screw
24	4032008	1	Lens Assembly
25	4110065	1	Ignition Switch and Key
26	7080296	1	Choke Cable
27	4030032	2	Bulb, Indicator Light

**USED ONLY ON
TRAIL BOSS**

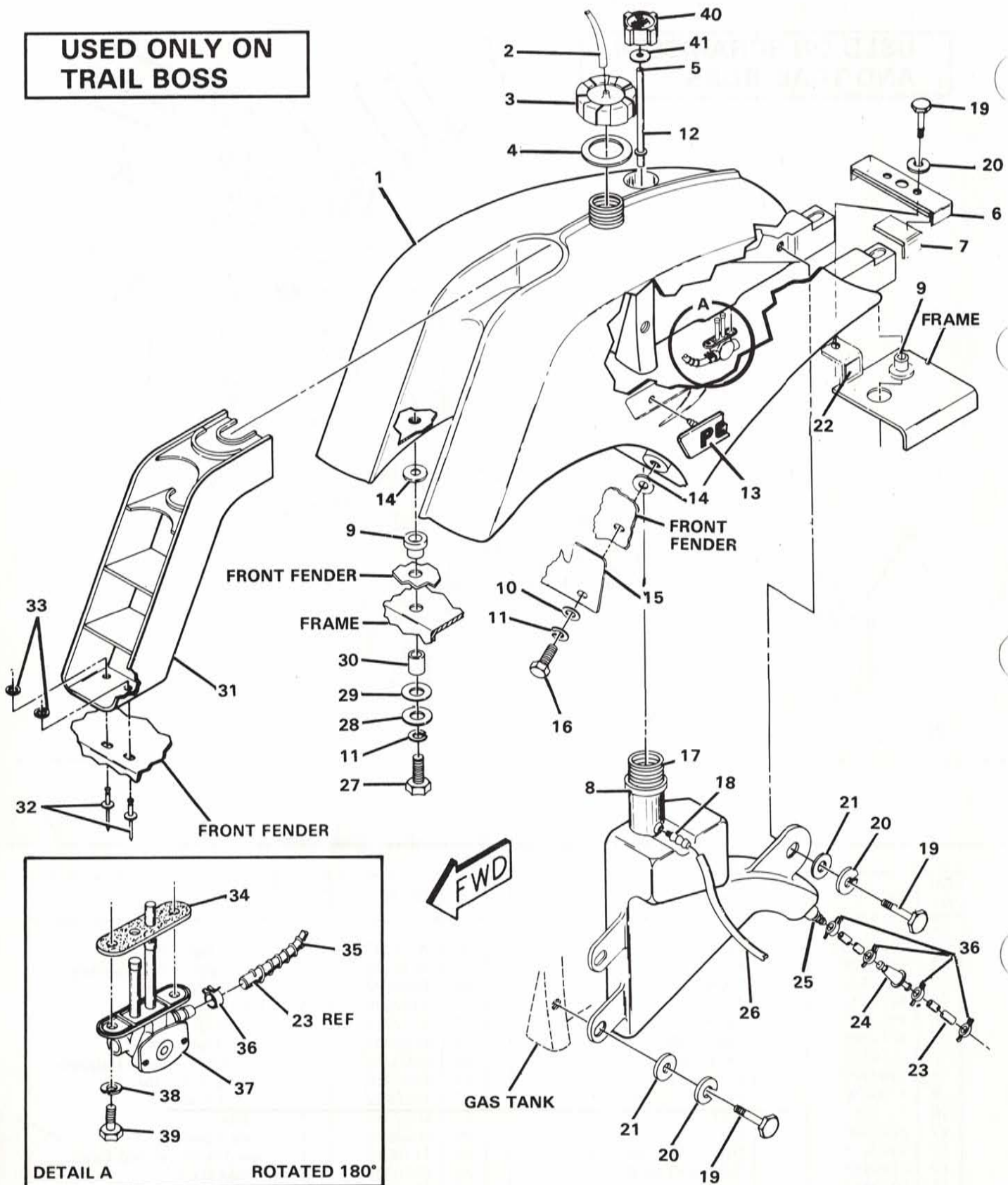


Figure 7. Fuel Tank Assembly—Trail Boss. See List 7.

Fuel Tank Assembly—Trail Boss

Ref. No.	Part No.	Qty.	Description
1	5430759	1	Tank, Gas
1	5430839	1	Tank, Gas, Lt. Blue
1	5430840	1	Tank, Gas, Red
2	5521154	1	Vent Line
3	5430799	1	Cap, Gas Tank
4	5810288	1	Gasket, Gas Cap
5	8570027	AR	Loc-tite
6	5220674	1	Plate, Rear Tank
7	5810317	2	Pad, Fuel Tank
8	5810311	1	Pad, Spout - Oil
9	5410428	4	Grommet, Fuel Tank
10	7558403	2	Flat Washer
11	7552901	4	Spring Lock Washer
12	5430801	1	Dipstick
13	2200241	2	Kit, Logo, Polaris
14	5410436	4	Rubber Washer
15	5850070	1	Flap, Splash Guard
16	7512310	2	Bolt
17	5430762	1	Tank, Oil
18	5430579	1	Vent, Oil Tank
19	7512113	4	Bolt
20	7552801	4	Spring Lock Washer

Ref. No.	Part No.	Qty.	Description
21	7558302	2	Washer, Wrought
22	5810318	2	Pad, Fuel Tank Mtg.
23	8450037	AR	Oil Line
24	2530009	1	Oil Filter
25	7052023	1	Outlet Fitting
26	2200190	AR	Vent Line
27	7512317	2	Bolt
28	7555716	2	Washer
29	5410430	2	Washer, Rubber
30	5330161	2	Spacer, Mounting
31	5430765	1	Louver, Air Intake
32	7621457	2	Rivet
33	7558212	2	Rivet Burr
34	5810308	1	Gasket, Fuel Valve
35	7042030	1	Spring, Fuel Line Protector
36	7080134	5	Clamp Hose
37	7052041	1	Valve, Fuel Tank
38	7552801	2	Spring Lock Washer
39	7512261	2	Bolt
40	5430779	1	Cap
41	5810141	1	Gasket

**USED ONLY ON
SCRAMBLER**

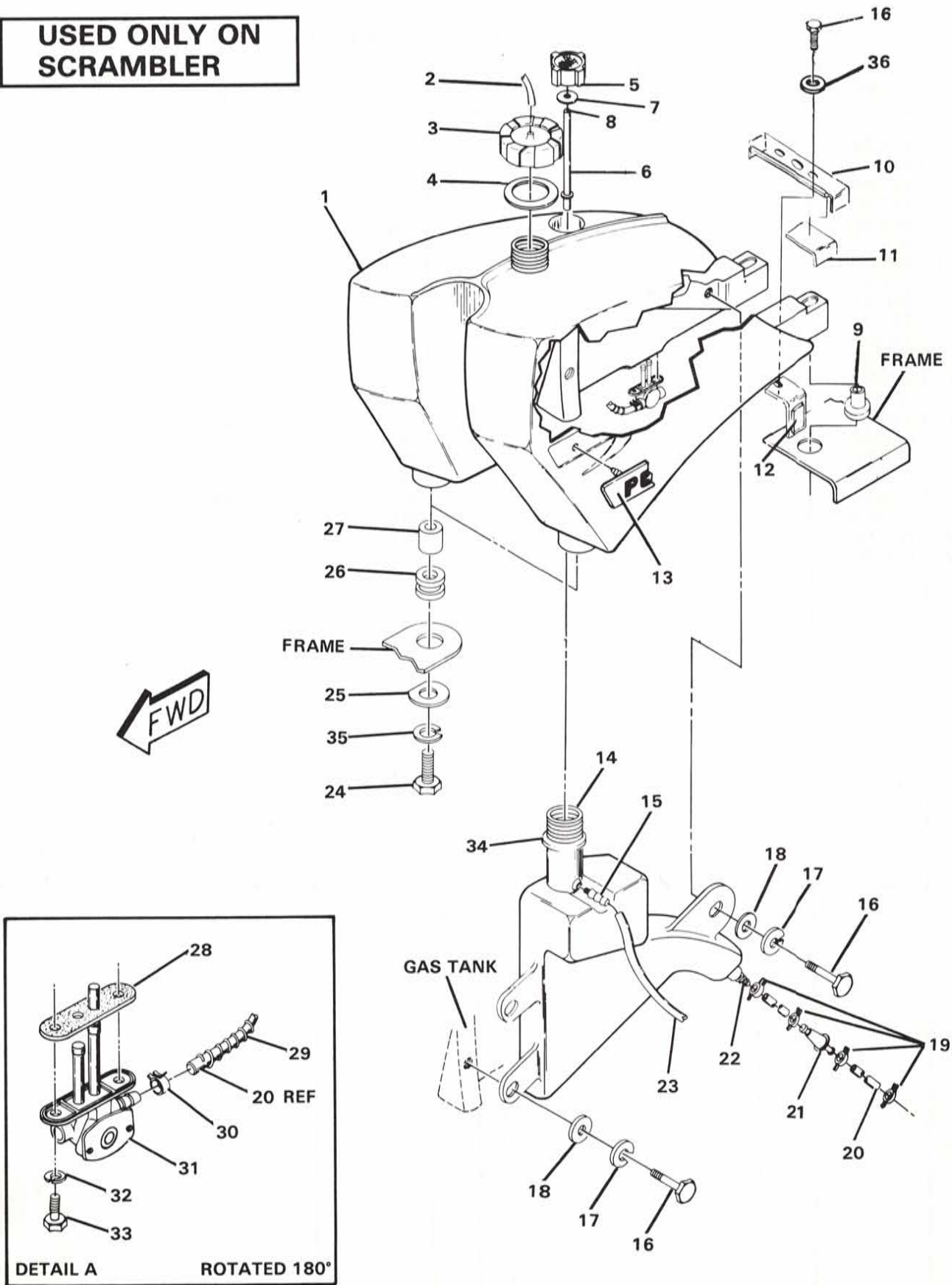


Figure 8. Fuel Tank Assembly—Scrambler. See List 8.

Fuel Tank Assembly—Scrambler

Ref. No.	Part No.	Qty.	Description
1	5430758	1	Tank, Gas
2	5521154	1	Vent Line
3	5430799	1	Cap, Gas Tank
4	5810288	1	Gasket, Gas Cap
5	5430779	1	Cap
6	5430801	1	Dipstick
7	5810141	1	Gasket
8	8570027	AR	Loc-tite
9	5410428	2	Grommet, Fuel Tank
10	5220674	1	Plate, Rear Tank Mt.
11	5810317	2	Pad, Brkt.
12	5810318	2	Pad Mount
13	2200240	2	Kit, Logo, Polaris
14	5430762	1	Tank, Oil
15	5430579	1	Vent, Oil Tank
16	7512113	4	Bolt
17	7552801	2	Spring Lock Washer
18	7558302	2	Washer, Wrought

Ref. No.	Part No.	Qty.	Description
19	7080134	4	Clamp, Hose
20	5521133	AR	Oil Line
21	2530009	1	Oil Filter
22	7052023	1	Outlet Fitting
23	2200190	AR	Vent Line
24	7512310	2	Bolt
25	7555716	2	Washer
26	5410419	2	Grommet, Rubber
27	5330159	2	Spacer, Front
28	5810308	1	Gasket, Fuel Valve
29	7041172	1	Spring, Fuel Line Protector
30	7080134	1	Clamp Hose
31	7052041	1	Valve, Fuel Tank
32	7552801	2	Spring Lock Washer
33	7512261	2	Bolt
34	5810311	1	Pad, Spout - Oil
35	7552901	2	Washer
36	7552801	2	Washer

**USED ONLY ON
TRAIL BOSS**

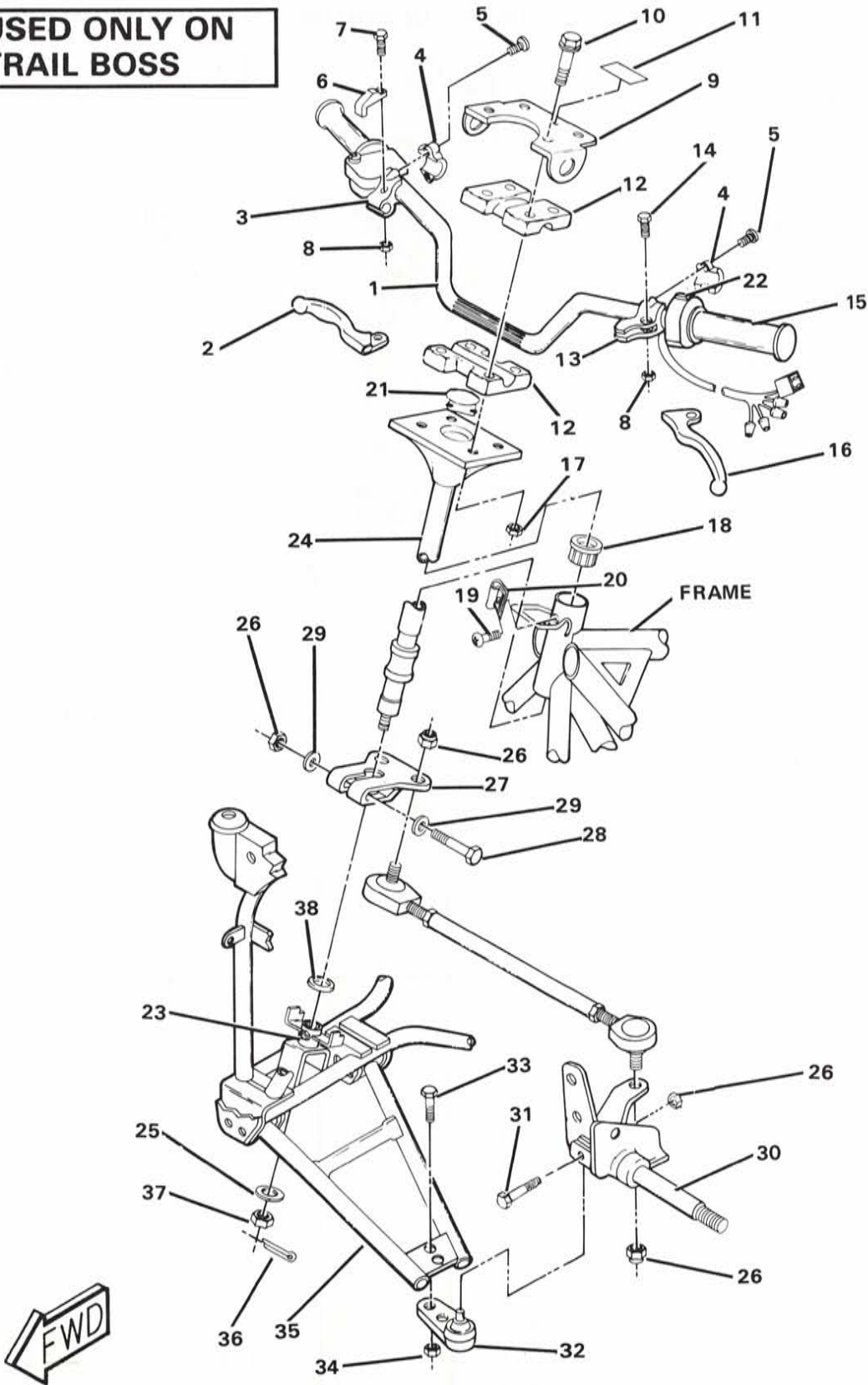


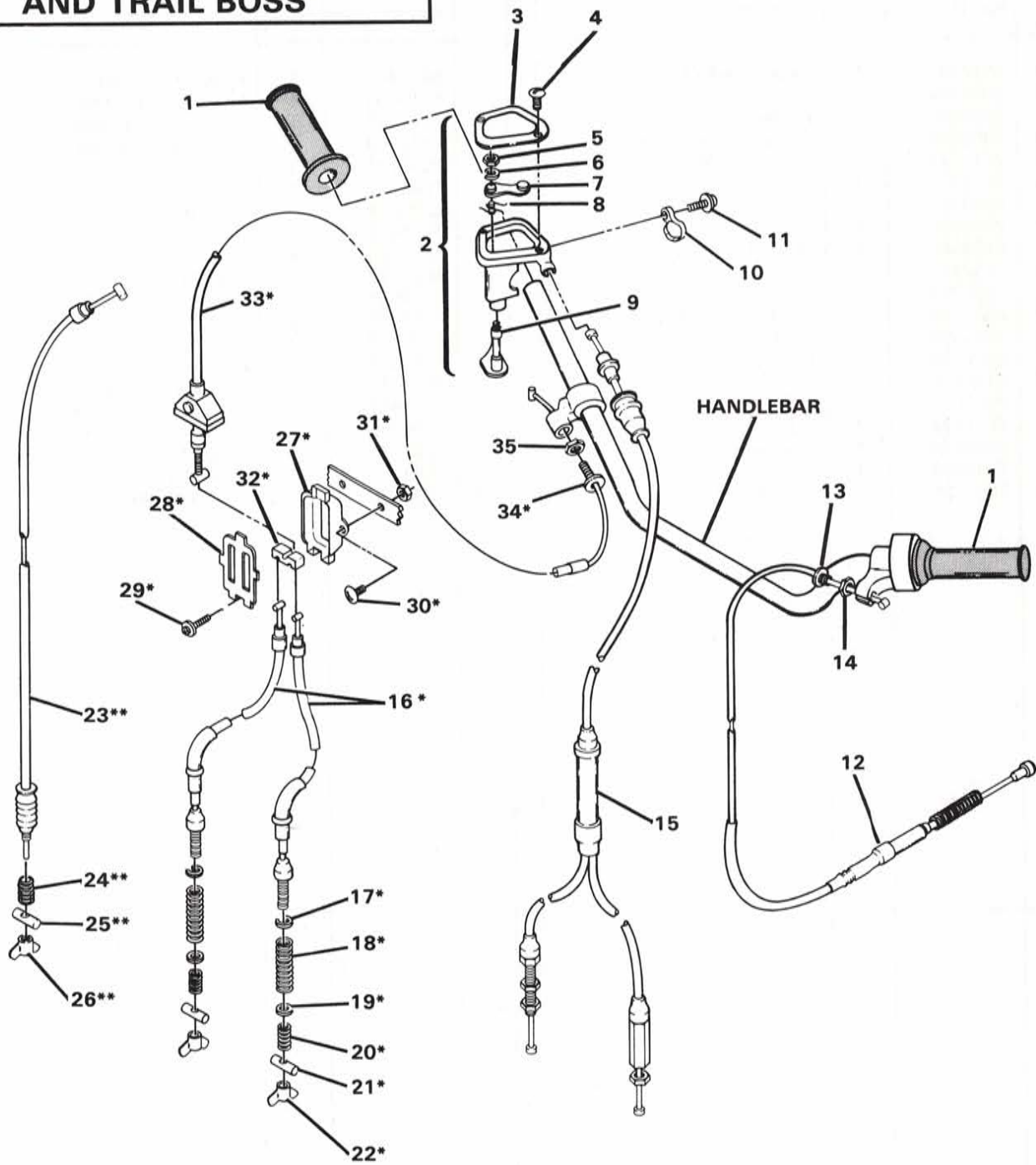
Figure 9. Steering Assembly—Trail Boss. See List 9.

Steering Assembly—Trail Boss

Ref. No.	Part No.	Qty.	Description
1	5224261	1	Tube, Handle Bar
2	2050004	1	Lever 2
3	2050002	1	Holder, Lever 2
4	2050005	2	Holder, Lever, Lower
5	2010047	2	Screw with Washer
>6	2050037	1	Lever Lock
7	2050021	1	Bolt
8	2050009	2	Nut
9	5220484	1	Bracket Headlight Mount
10	7512272	4	Bolt
11	7072244	1	Decal, Oil Level
12	5630187	2	Block, Handle Bar
13	2050020	1	Holder, Lever 1
14	2050008	1	Bolt
15	5410416	2	Grip, Handle Bar
16	2050019	1	Lever 1
17	7542122	4	Nut
18	5430770	1	Bushing, Steering
19	7510503	1	Screw
20	7080325	1	Clamp, Loop

Ref. No.	Part No.	Qty.	Description
21	5430841	1	Plug, Handle Bar
22	4110063	1	Switch, Hi/Lo/Start
23	7080220	1	Fitting, Lubrication
24	1843003	1	Weld, Steering Post
25	7555721	1	Washer
26	7542403	7	Nut
27	5220546	1	Steering Frog
28	7515433	1	Bolt
29	7555720	2	Washer
30	1821023	1	Weld Spindle, L.H.
30	1821024	1	Weld Spindle, R.H.
31	7515425	2	Bolt
32	7060133	2	Ball Joint
33	7515458	4	Bolt
34	7542449	4	Nut, Flange Lock
35	1580001	1	Weldment, "A" Frame, L.H.
35	1580002	1	Weldment, "A" Frame, R.H.
36	7661207	1	Cotter Pin
37	7542712	1	Castle Nut
38	7556306	1	Machinery Bushing

**USED ON SCRAMBLER
AND TRAIL BOSS**



*USED ON TRAIL BOSS ONLY.
 **USED ON SCRAMBLER ONLY.
 ALL OTHER PARTS USED ON SCRAMBLER AND TRAIL BOSS.

Figure 10. Hand Control Cables—Both. See List 10.

Hand Control Cable Assembly

Ref. No.	Part No.	Qty.	Description
1	5410416	2	Grip, Handle Bar
2	2010045	1	Throttle Lever Assembly
3	5430804	1	Cover, Throttle (Incl. 3-9)
4	2010054	2	Screw
5	2010053	1	Nut
6	2010052	1	Washer
7	2010051	1	Arm
8	2010050	1	Spring
9	2010049	1	Lever
10	2050005	1	Holder, Lower
11	2010047	1	Screw With Washer
12	7080305	1	Cable, Brake, Rear
13	2050023	1	Bolt
14	2050024	1	Nut
15	7080298	1	Cable, Throttle Control
16	2050027*	2	Brake Cable, Lower
17	2050035*	2	Circle Clip
18	2050033*	2	Spring, Compression

Ref. No.	Part No.	Qty.	Description
19	2050034*	2	Washer
20	2050015*	2	Spring, Compression
21	2050016*	2	Pin
22	2050014*	2	Wing Nut
23	2050013**	1	Brake Cable, Front
24	2050015**	1	Spring, Compression
25	2050016**	1	Pin
26	2050014**	1	Wing Nut
27	2050029*	1	Housing, Brake Link
28	2050031*	1	Plate
29	2050032*	2	Screw With Washer
30	7511989*	2	Bolt
31	7541925*	2	Nut
32	2050030*	1	Joint, Cable
33	2050028*	1	Brake Cable, Upper
34	2050023	1	Bolt
35	2050024	1	Nut

*USED ON TRAIL BOSS ONLY.
 **USED ON SCRAMBLER ONLY.

ALL OTHER PARTS USED ON SCRAMBLER AND TRAIL BOSS.

**USED ONLY ON
SCRAMBLER**

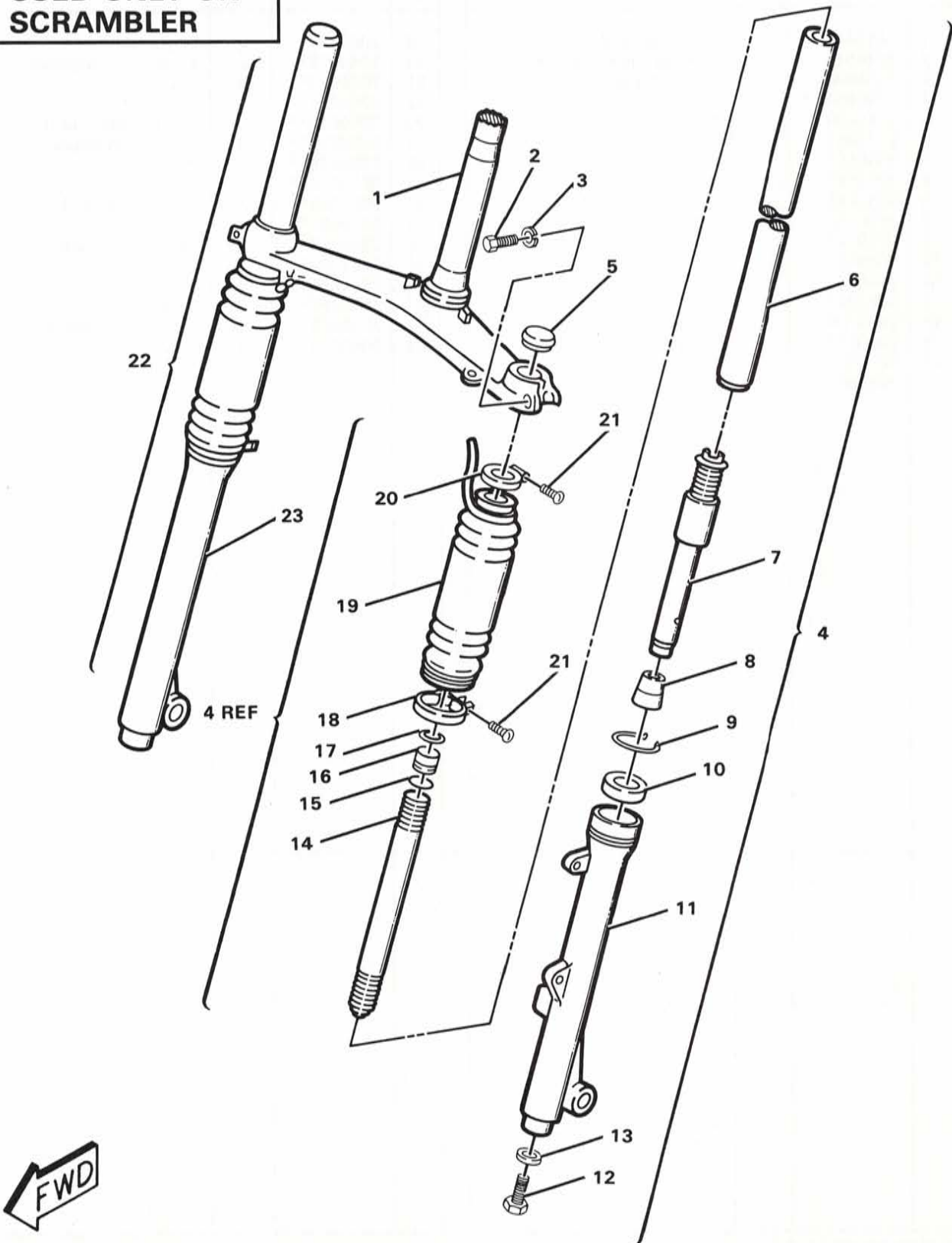


Figure 11. Front Fork Assembly—Scrambler. See List 11.

Front Fork Assembly-Scrambler

Ref. No.	Part No.	Qty.	Description
1	1844024	1	Under Bracket Compl.
2	1844025	2	Bolt
3	1844026	2	Spring Washer
4	1843001	1	Front Fork Asm., L.H. (Incl. 5-21)
5	1844037	2	Plug, Inner Tube
6	1844027	2	Inner Tube Compl. 1
7	1844028	2	Cylinder Compl.
8	1844038	2	Spindle, Taper
9	1844032	2	Circle Clip
10	1844031	2	Oil Seal
11	1844029	1	Outer Tube, Compl., L.H.
12	1844040	2	Bolt

Ref. No.	Part No.	Qty.	Description
13	1844039	2	Plate Washer
14	1844033	2	Spring, Front Fork
15	1844035	2	"O" Ring
16	1844034	2	Bolt, Cap
17	1844036	2	Circle Clip
18	1844042	2	Band
19	1844041	2	Boot Compl.
20	1844043	2	Band 2
21	1844044	4	Screw, Pan Head
22	1843002	1	Front Fork Asm., R.H. (Incl. 23) Breakdown Same as L.H. Tube
23	1844030	1	Outer Tube Compl., R.H.

**USED ONLY ON
SCRAMBLER**

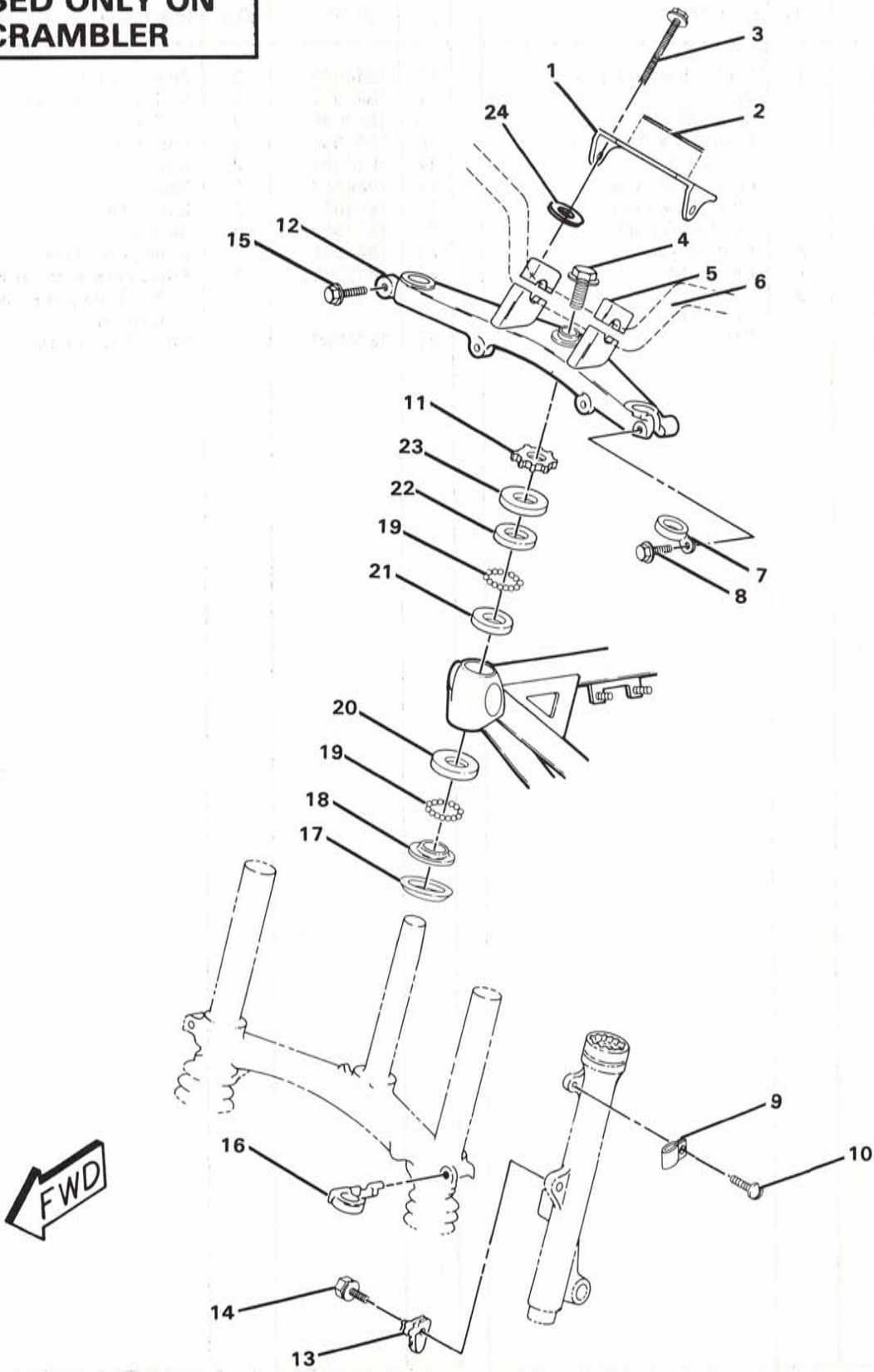


Figure 12. Steering Assembly—Scrambler. See List 12.

Steering Assembly-Scrambler

Ref. No.	Part No.	Qty.	Description
1	5220487	1	Bracket, Headlight Mount
2	7072257	1	Decal
3	1844011	4	Bolt, Flange
4	1844007	1	Bolt, Washer Based
5	1844010	2	Holder, Handle, Upper
6	5224259	1	Tube, Handle Bar
7	1844012	1	Holder, Cable
8	1844009	2	Bolt, Flange
9	1844016	1	Holder, Cable 2
10	1844017	1	Screw, Pan Head
11	1844006	1	Nut
12	1844008	1	Crown, Handle

Ref. No.	Part No.	Qty.	Description
13	1844021	1	Holder, Adjusting
14	1844022	1	Bolt
15	1844009	2	Bolt, Flange
16	1844020	1	Guide, Cable
17	1844001	1	Seal, Steering
18	1844002	1	Race, Ball 1
19	1844004	38	Ball
20	1844003	1	Race, Ball 2
21	1844046	1	Race, Ball 2
22	1844045	1	Race, Ball 1
23	1844005	1	Cover, Ball Race 1
24	7555725	4	Spacer

**USED ONLY ON
TRAIL BOSS**

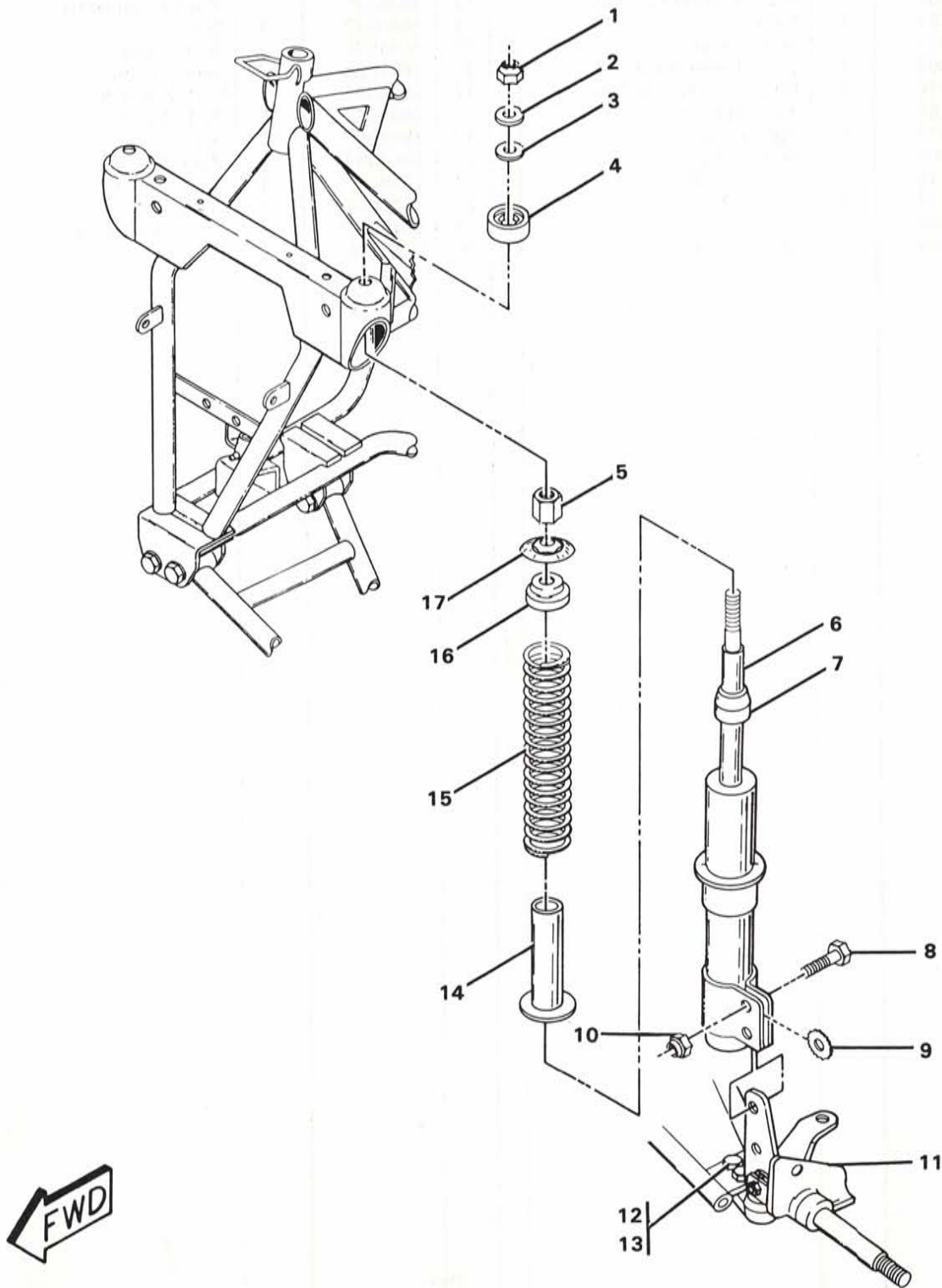


Figure 13. Strut Assembly—Trail Boss. See List 13.

Strut Assembly–Trail Boss

Ref. No.	Part No.	Qty.	Description
1	7542507	2	Nut, Flex Loc
2	7555749	2	Washer
3	5810291	2	Spacer, Rubber
4	5430806	2	Pivot, Ball Top
5	5130585	2	Spacer, Threaded
6	1843004	2	Weldment, Strut Tube
7	5410429	2	Bumper, Rubber
8	7512516	4	Bolt
9	7571612	4	Washer, In/External

Ref. No.	Part No.	Qty.	Description
10	7542522	4	Nut, Flange
11	1821023	1	Weld, Spindle, L.H.
11	1821024	1	Weld, Spindle, R.H.
12	7515458	4	Bolt
13	7542449	4	Nut, Flange Lock
14	5430808	2	Sleeve Spring
15	7041181	2	Coil Spring, Front Shock
16	5220602	2	Retainer, Spring, Top
17	5430807	2	Pivot, Ball, Bottom

Front Wheel Assembly—Trail Boss

Ref. No.	Part No.	Qty.	Description
1	1525010	1	Lever, Camshaft, R.H.
1	1525016	1	Lever, Camshaft, L.H.
2	1525020	2	Bolt
3	1525021	2	Nut
4	1525011	2	Indicator Plate
5	1525006	1	Plate, Brake Shoe, R.H.
5	1525014	1	Plate, Brake Shoe, L.H.
6	1525013	2	Oil Seal
7	1525012	4	"O" Ring
8	1525009	2	Camshaft
9	1525008	4	Spring, Tension
10	1525007	4	Brake Shoe Compl.
11	1525017	2	Valve, Rim
12	1525003	2	Bearing

Ref. No.	Part No.	Qty.	Description
13	1525004	2	Oil Seal
14	1525022	2	Collar
15	1525005	4	Bearing
16	7555721	2	Wrought Washer
17	7542712	2	Castle Nut
18	5410404	2	Dust Cover, Hub
19	7661203	2	Cotter Pin
20	1525024	8	Nut
21	1525026	8	Washer, Spring
22	1525025	8	Washer, Plain
23	1525019	2	Rim, Front
24	5410408	2	Tire, Front
25	1525001	2	Hub, Front
26	1525002	2	Spacer Bearing

**USED ON SCRAMBLER
AND TRAIL BOSS**

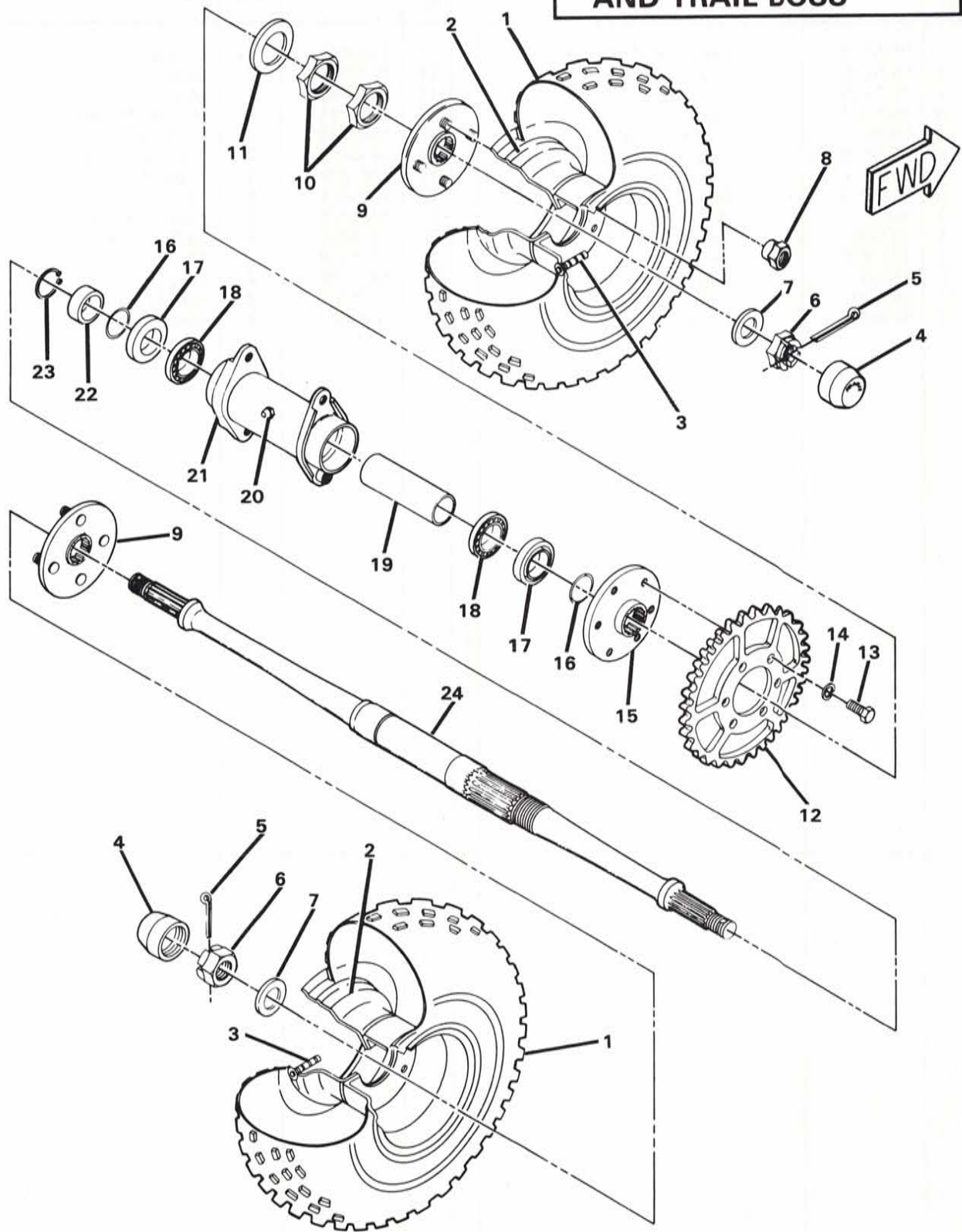


Figure 15. Rear Wheel Drive Assembly. See List 15.

Rear Wheel Drive Assembly

Ref. No.	Part No.	Qty.	Description
1	5410406	2	Tire, Rear
2	1520103	2	Rim, Rear
3	1525017	2	Valve, Rim
4	5410404	2	Dust Cover, Hub
5	7661404	2	Cotter Pin
6	7543005	2	Castle Nut
7	7555745	2	Washer, Flat
8	7542714	8	Lug Nut
9	1520102	2	Wheel Weldment, Hub
10	7543801	2	Jam Nut
11	7555747	1	Washer
12	3223009	1	Sprocket, Rear

Ref. No.	Part No.	Qty.	Description
13	7512492	6	Bolt
14	7553001	6	Lock Washer
15	1011559	1	Weld, Hub Sprocket
16	5410415	2	"O" Ring
17	3610013	2	Seal, Rear Axle
18	3515501	2	Bearing, Rear Axle
19	5010204	1	Tube, Bearing Spacer
20	7080306	1	Fitting, Lubrication
21	1011556	1	Weldment, Axle Housing
22	5010206	1	Spacer, Bearing
23	7710405	1	Snap Ring
24	5020434	1	Axle, Rear

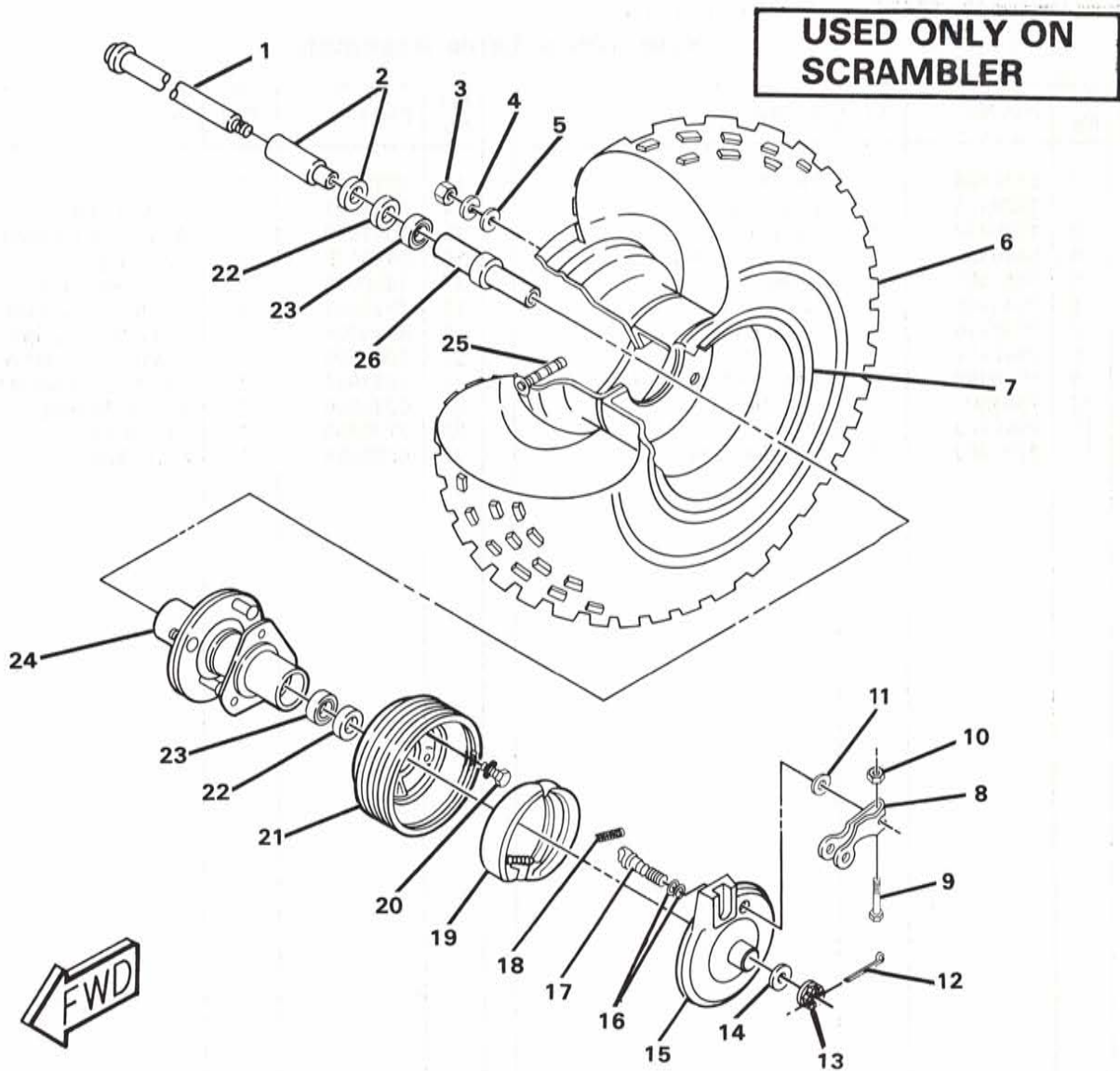


Figure 16. Front Wheel and Brake Assembly. See List 16.

Ref. No.	Part No.	Qty.	Description
1	1525033	1	Wheel, Axle, Front
2	1525048	1	Collar/Hub Cover
3	1525043	3	Nut
4	1844026	3	Washer, Spring
5	1525045	3	Washer, Plain
6	5410407	1	Tire, Front
7	1525018	1	Rim, Front
8	1525030	1	Lever, Camshaft
9	1525020	1	Bolt
10	1525021	1	Nut
11	1525031	1	Indicator Plate
12	1525035	1	Cotter Pin
13	1525034	1	Castle Nut

Ref. No.	Part No.	Qty.	Description
14	1525037	1	Plate Washer
15	1525028	1	Plate, Brake Shoe
16	1525032	2	"O" Ring
17	1525029	1	Camshaft
18	1525008	2	Spring, Tension
19	1525007	2	Brake Shoe Compl.
20	1525047	3	Bolt/Washers
21	1525027	1	Drum, Brake
22	1525004	2	Oil Seal
23	1525003	2	Bearing
24	1525038	1	Hub, Front
25	1525017	1	Valve, Rim
26	1525039	1	Spacer Bearing

**USED ON SCRAMBLER
AND TRAIL BOSS**

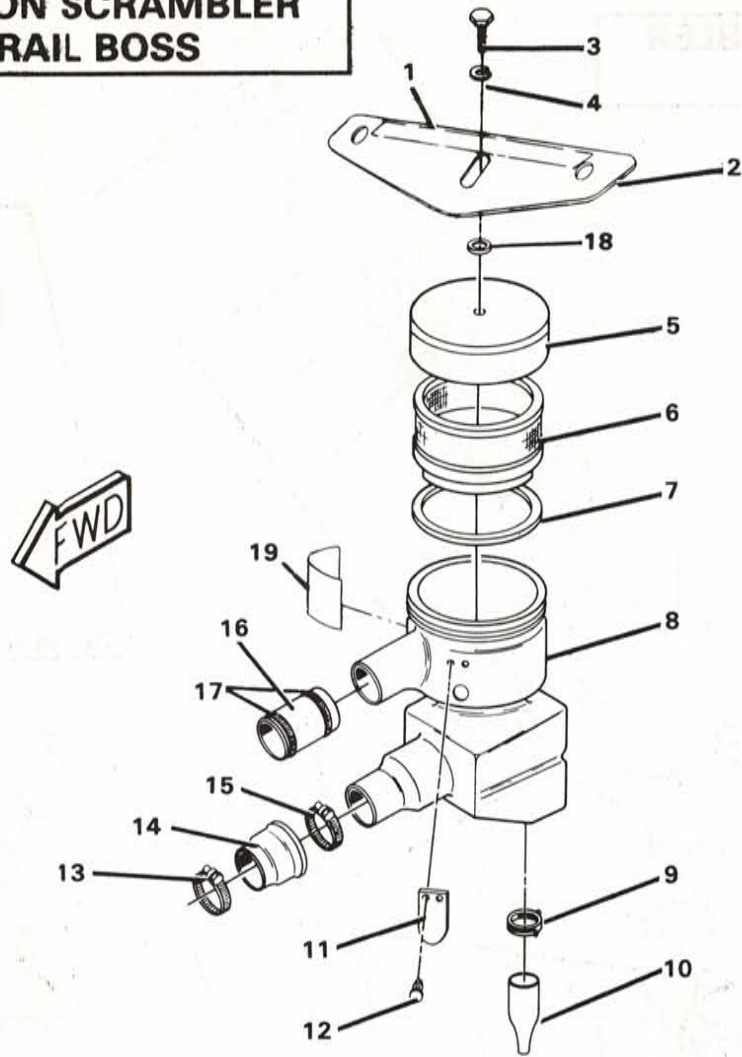


Figure 17. Air Box Assembly. See List 17.

Ref. No.	Part No.	Qty.	Description
1	7072241	1	Decal, Air Filter
2	5220560	1	Bracket, Air Box
3	7512307	1	Bolt
4	7552901	1	Lock Washer
5	5430764	1	Cover, Air Box
6	7080291	1	Filter, Air Intake
7	5810316	1	Gasket
8	5430831	1	Box, Air Intake
9	7080304	1	Clamp
10	5410435	1	Hose, Drain Outlet

Ref. No.	Part No.	Qty.	Description
11	5810315	1	Cover, Pressure Relief
12	7080324	2	Clip
13	7080140	1	Clamp
14	5410420	1	Boot, Carburetor
15	7080136	1	Clamp
16	5410423	1	Boot, Intake
17	7080272	2	Strap, Blk, Weather Resistant
18	7555716	1	Washer
19	5810310	1	Foil Tape

**USED ON SCRAMBLER
AND TRAIL BOSS**

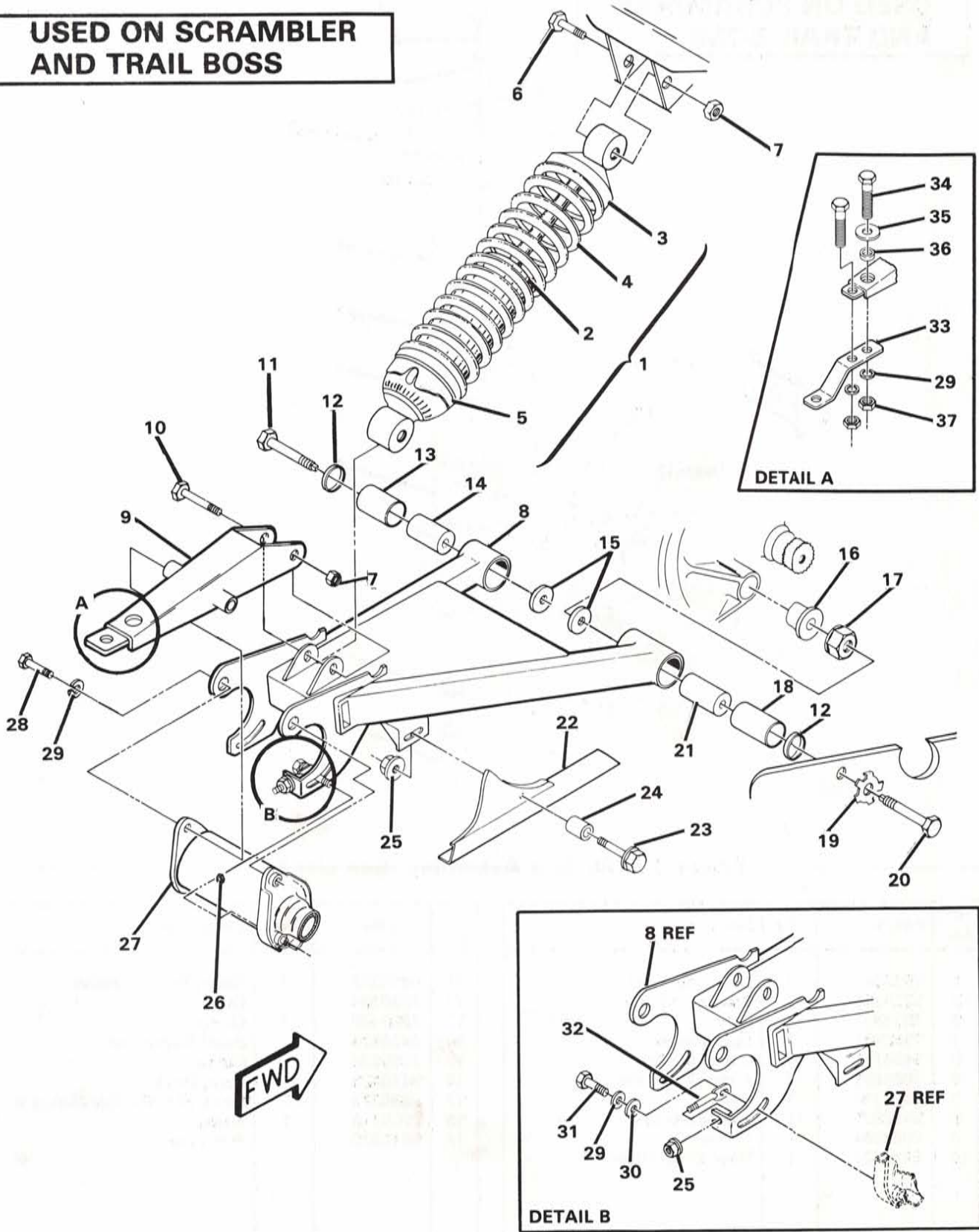


Figure 18. Swing Arm Weldment and Rear Shock Assembly. See List 18.

Swing Arm Weldment and Rear Shock Assembly

Ref. No.	Part No.	Qty.	Description
	2870675		Duel Shock Kit
1	1580004	1	Rear Shock Assy. (Incl. 2-5)
2	7041156	1	Shock
3	5220631	1	Retainer, Upper
4	7041159	1	Spring
5	5610092	1	Retainer, Lower
6	7515415	1	Bolt
7	7542439	2	Nut
8	1580003	1	Weldment, Swing Arm
9	1040108	1	Weldment, Hitch
10	7515417	1	Bolt
11	7512664	1	Shoulder Bolt
12	7555752	2	Machinery Bushing
13	3576505	1	Bearing
14	5010207	1	Bushing, L.H.
15	7555749	2	Washer
16	5630267	2	Bushing, Swing Arm Mount
17	7542703	2	Lock Nut
18	3576506	1	Bearing
19	5220611	2	Plate, Bolt Lock
20	7512665	1	Shoulder Bolt
21	5010208	1	Bushing, R.H.

Ref. No.	Part No.	Qty.	Description
22	5430776	1	Guard Chain
23	7515304	1	Bolt, Flange
24	5332828	1	Bushing
25	7542321	2	Flanged Lock Nut
26	7080306	1	Fitting with Ball Check
27	1011556	1	Axle Housing
28	7512661	1	Bolt
29	7553201	3	Lock Washer
30	7555721	2	Washer
31	7512662	2	Bolt
32	1011583	1	Adjustment Bolt
	2870657		Kit - Hitch (Optional) Must be added if ball hitch is used.
33	5220650	1	Plate, Hitch Kit
34	7512662	2	Bolt
35	7555721	2	Washer, Wrought
36	5332840	1	Spacer, Hitch Kit
37	7542711	2	Jam Nut

**USED ON SCRAMBLER
AND TRAIL BOSS**

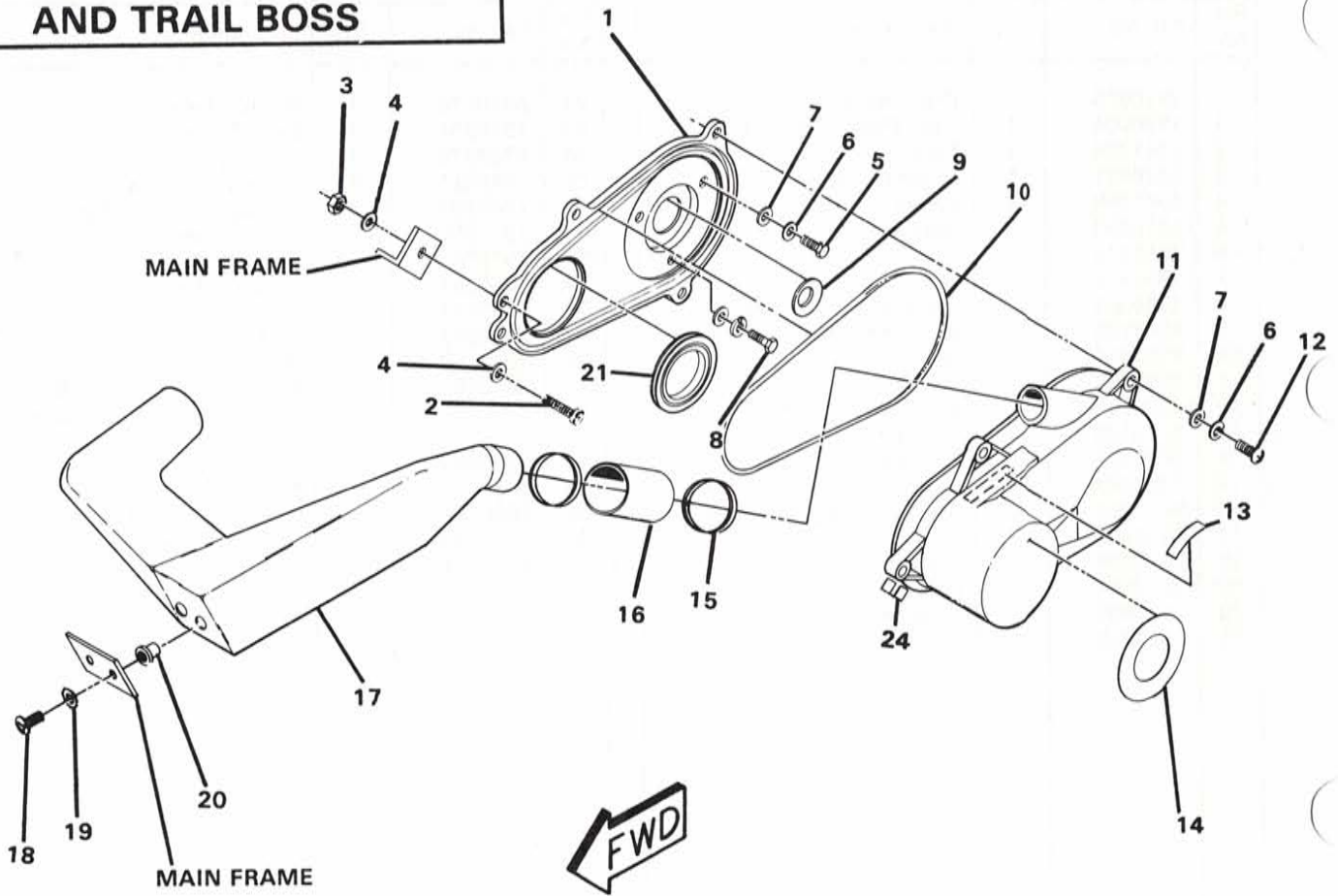


Figure 19. Clutch Cover Assembly. See List 19.

Ref. No.	Part No.	Qty.	Description
1	5430772	1	Cover, Clutch, Rear
2	7512222	1	Bolt
3	7542122	1	Lock Nut
4	7558203	1	Washer
5	7512277	2	Bolt
6	7552605	7	Lock Washer
7	7555748	8	Washer, Rubber Backed
8	7512276	1	Bolt
9	5410410	1	Seal, Cover Case
10	5521160	1	Seal, Clutch Cover
11	5430771	1	Clutch Cover, Front
12	7512239	4	Bolt
13	7072246	1	Decal

Ref. No.	Part No.	Qty.	Description
14	5430829	1	Logo
15	7080272	2	Strap, Blk. Weather Resistant
16	5410423	1	Boot
17	5430749	1	Duct, Air Outlet
18	7512279	2	Bolt
19	7552604	2	Washer, Ext. Lock
20	7541923	2	Well Nut
21	5410411	1	Seal, Cover Engine
22	2870660	—	Seal to Engine (Black Max.)
23	2870661	—	Seal to Rear Cover
24	7670051	1	Cup, Clutch Cover

USED ON SCRAMBLER
FOR PART 1314

**USED ON SCRAMBLER
AND TRAIL BOSS**

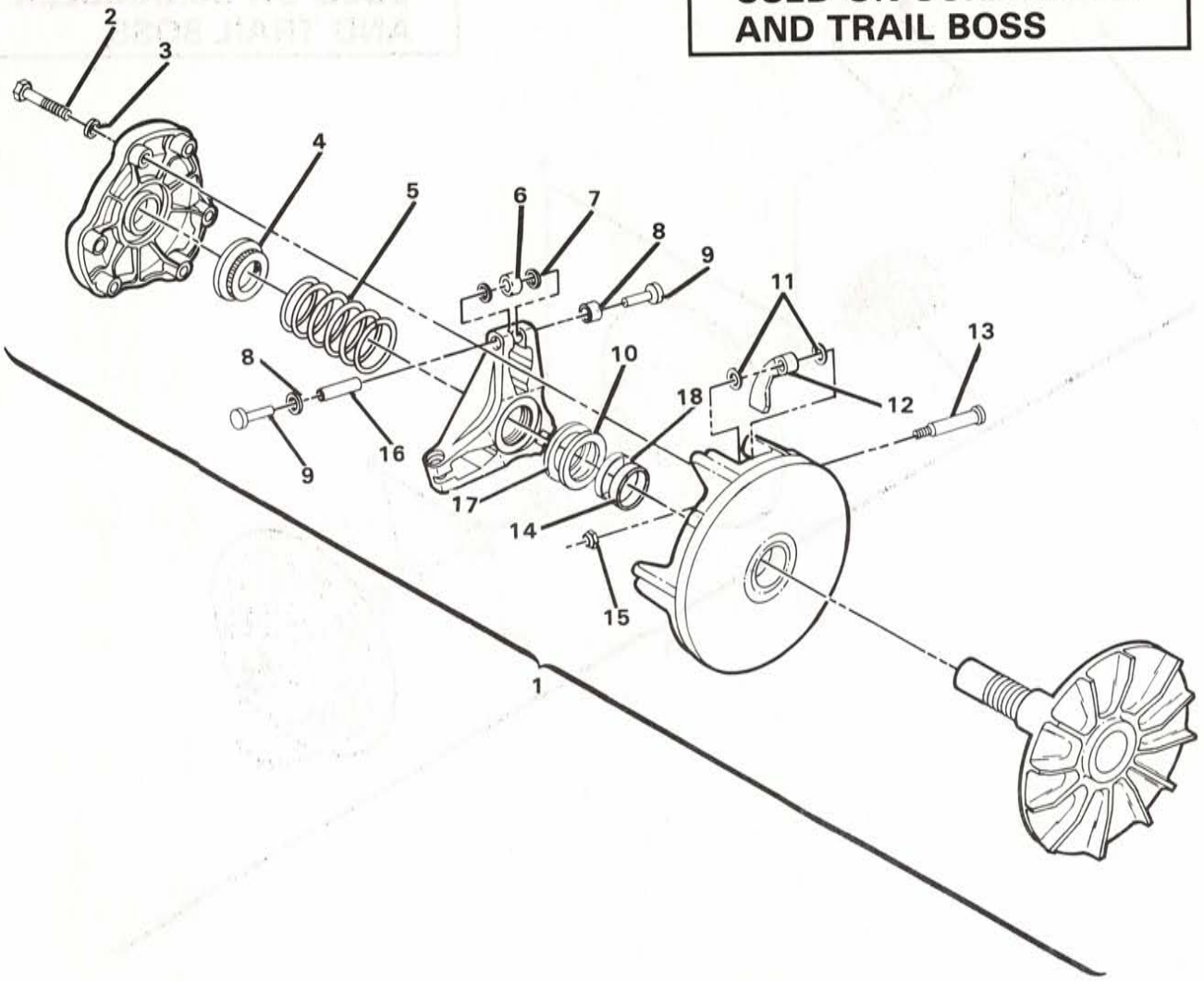


Figure 20. Drive Clutch Assembly. See List 20.

Ref. No.	Part No.	Qty.	Description
1	1321476	1	Drive Clutch Assembly
2	7512265	6	Bolt
3	7552801	6	Lock Washer
4	5010189	1	Bushing, Clutch Cover
5	7041157	1	Spring, Clutch
6	1321457	3	Roller and Bushing Asm. ✓
7	5430702	6	Washer, Roller
8	5410374	6	Seal, O-Ring
9	5430768	6	Button, Guide
10	5210754	1	Spacer

Ref. No.	Part No.	Qty.	Description
11	7555744	6	Washer
12	5630279	3	Weight, Shift
13	7512266	3	Bolt
14	5430748	1	Bearing, Sleeve
15	7541906	3	Lock Nut
16	5020436	3	Pin, Spider
17	2870654		Tool Clutch Alignment
18	5210752	2	Spacer
	5010218	1	Insert, Moveable

**USED ON SCRAMBLER
AND TRAIL BOSS**

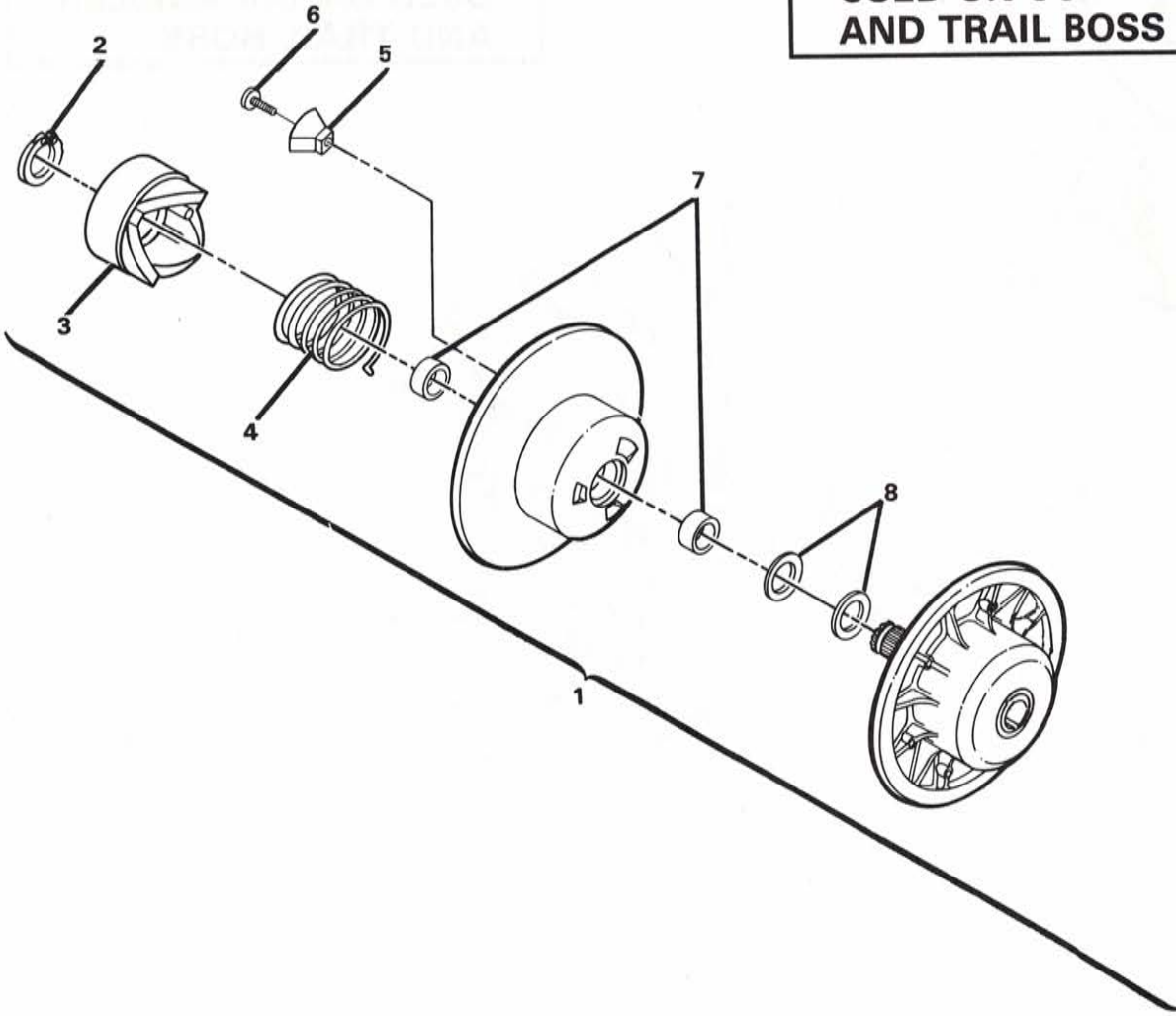


Figure 21. Driven Clutch Assembly. See List 21.

Ref. No.	Part No.	Qty.	Description
1	1322112	1	Driven Clutch Assembly
2	7714401	1	Retaining Ring
3	5630256	1	Ramp, Stationary
4	7041038	1	Spring, Clutch

Ref. No.	Part No.	Qty.	Description
5	5430766	3	Button, Ramp
6	7511854	3	Bolt
7	3576504	2	Bushing, Driven
8	7556804	2	Washer

**USED ON SCRAMBLER
AND TRAIL BOSS**

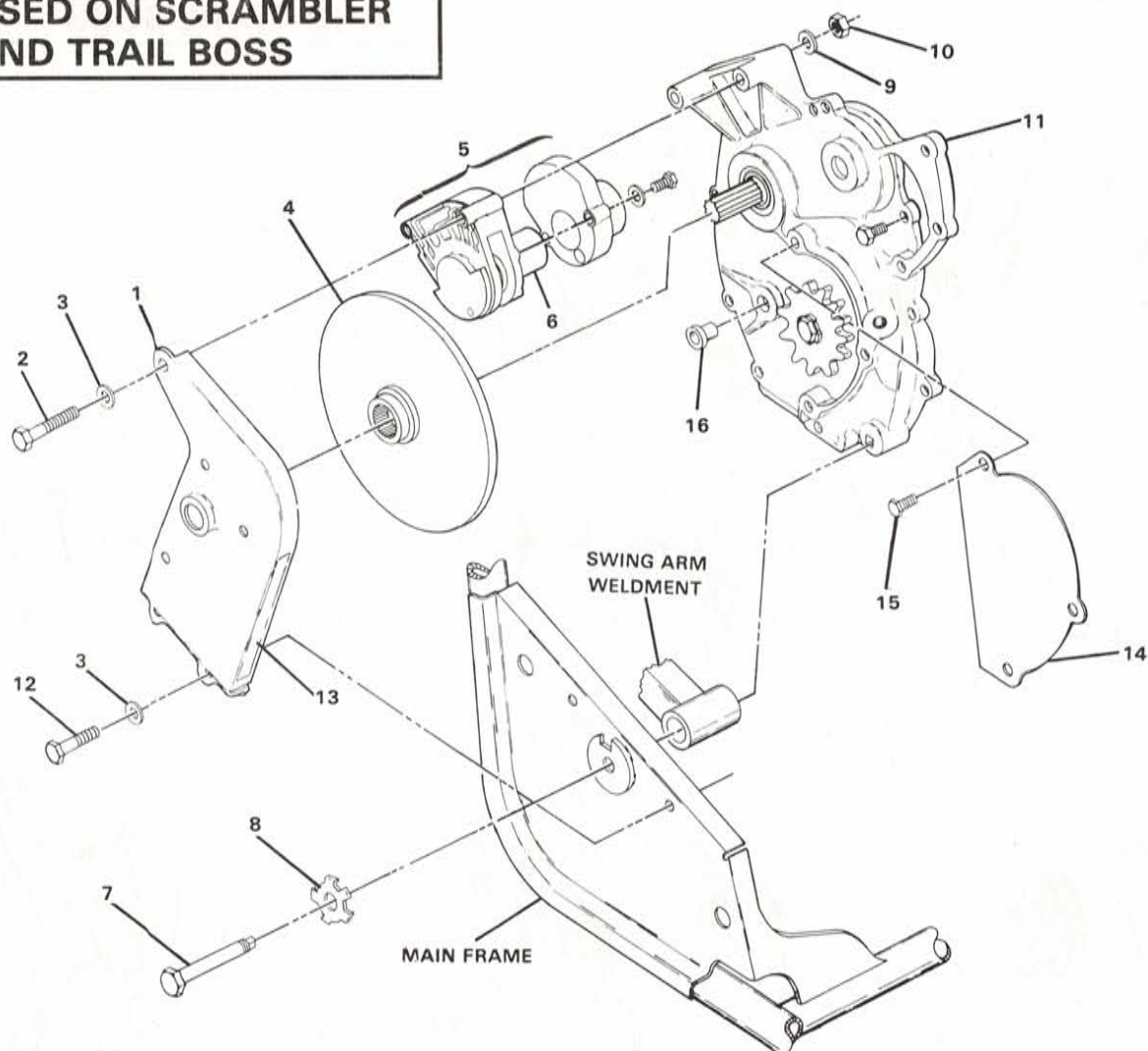


Figure 22. Right Hand Gearcase & Brake Mounting. See List 22.

Ref. No.	Part No.	Qty.	Description
1	5220598	1	Cover, Brake Disc
2	7515320	2	Bolt
3	7558302	4	Washer, Wrought
4	1910021	1	Weld, Brake Disc
5	1910026	1	Brake Caliper Asm.
6	2200231	1	Kit, Replacement Pucks
7	7512665	1	Shoulder Bolt
8	5220611	2	Plate, Bolt Lock

Ref. No.	Part No.	Qty.	Description
9	7558302	2	Washer, Wrought
10	7542324	2	Nut, Lock
11	1341027	1	Gearcase Asm.
12	7512307	2	Bolt
13	7072242	1	Decal, Brake Shield
14	5220644	1	Guard, Sprocket
15	7512208	3	Bolt
16	5630267	2	Bushing, Swing Arm Mt.

**USED ON SCRAMBLER
AND TRAIL BOSS**

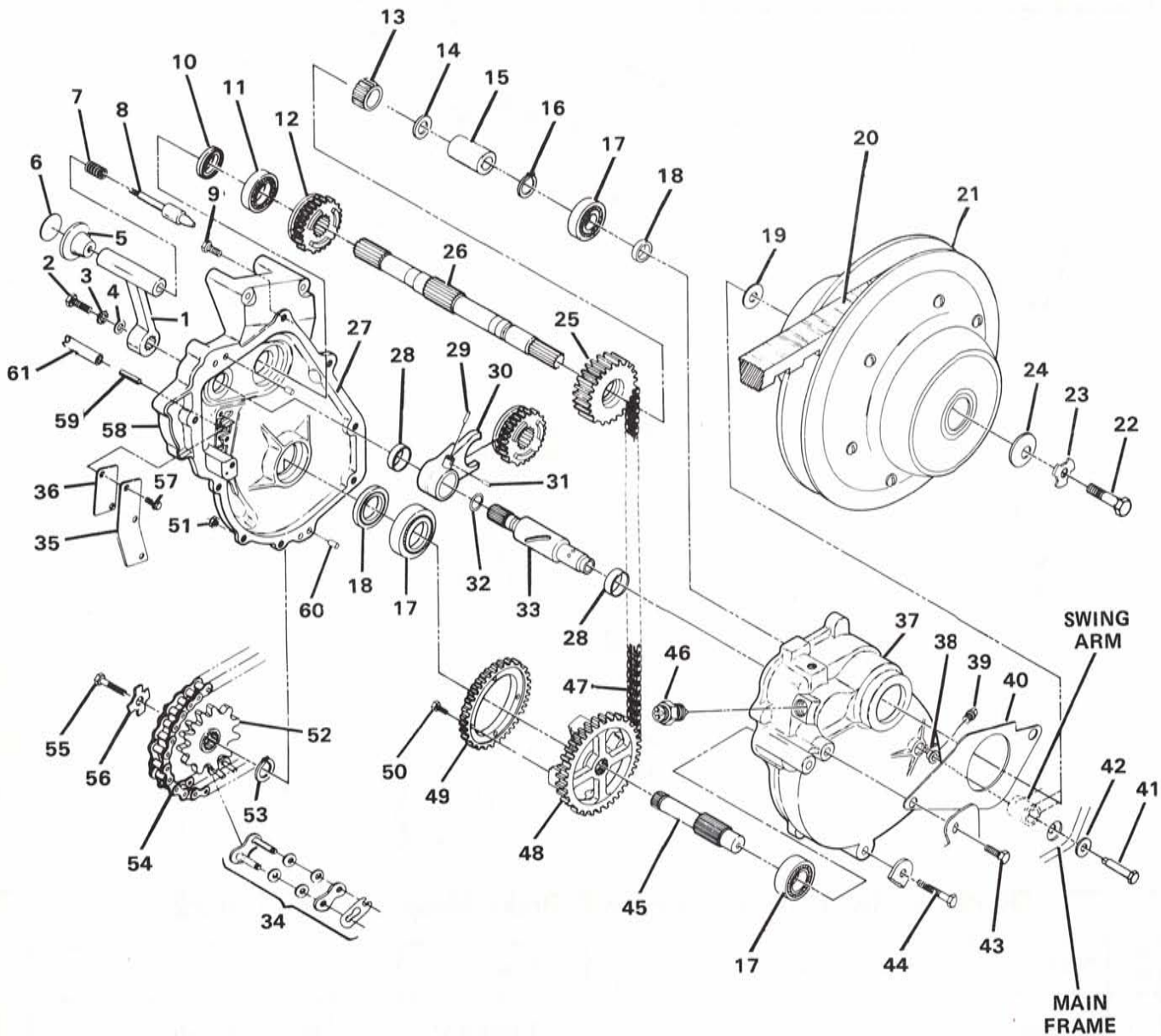


Figure 23. Gearcase Assembly. See List 23.

Gearcase Assembly

Ref. No.	Part No.	Qty.	Description
1	1341024	1	Shift Lever
2	7512111	1	Hex Bolt
3	7552604	1	Washer, Ext. Tooth
4	7558221	1	Washer
5	7030006	1	Knob
6	7072234	1	Decal
7	7041170	1	Spring, Shift Lever
8	5020442	1	Shaft, Shift Lever
9	7512242	4	Screw
10	3610014	1	Seal, Oil
11	3514001	1	Bearing, Ball
12	5130592	1	Pinion, Reverse
13	3554502	1	Bearing, Needle
14	7555751	1	Washer, Thrust
15	5010210	1	Spacer, Input Shaft
16	7710411	1	Retaining Ring
17	3514304	3	Bearing, Ball
18	3610015	2	Oil Seal
19	5211041	1	Spacer, Driven Mtg.
20	3211048	1	Belt, Drive
21	1322112	1	Driven Clutch Asm.
22	7515318	1	Bolt
23	7577901	1	Washer, Shakeproof
24	5220646	1	Washer, Domed
25	5130593	1	Gear, Forward
26	5020439	1	Shaft, Input
27	2870587	AR	Gasket Eliminator
28	3574209	2	Bushing, Sleeve
29	7661819	1	Dowel Pin
30	5130594	1	Fork, Shift
31	7661206	1	Spring Pin
32	5410440	1	"O" Ring

Ref. No.	Part No.	Qty.	Description
33	5130595	1	Shaft, Shift
34	3225024	1	Connector Link
35	5211036	1	Plate, Vent
36	5810305	1	Gasket, Vent
37	5130610	1	Gearcase, L.H.
38	5630267	2	Bushing, Swing Arm Mount
39	7051512	1	Pipe Plug, Magnetic
40	5220636	1	Retainer, Bulkhead, L.H.
41	7512664	1	Shoulder Bolt
42	7555749	1	Washer
43	7515458	1	Bolt
44	7515472	1	Bolt
45	5020457	1	Shaft, Output
46	4110062	1	Switch, Reverse Indicator
47	3224035	1	Chain, Silent
48	5130614	1	Gear, Forward
49	5130590	1	Ring Gear, Reverse
50	7512247	4	Bolt
51	7542403	2	Nut
52	3221041	1	Sprocket, 13T Drive
52	3221043		Sprocket, 11T (Opt.)
52	3221044		Sprocket, 12T (Opt.)
53	7710410	1	Retaining Ring
54	3224034	1	Chain Drive
55	7512391	1	Hex Bolt
56	7577902	1	Lockwasher
57	7512208	6	Screw
58	5130611	1	Gearcase, R.H.
59	7661505	1	Spiral Pin
60	7661904	2	Dowel Pin
61	2200190	AR	Vent Tube
	2870464		Gearcase Oil

**USED ON SCRAMBLER
AND TRAIL BOSS**

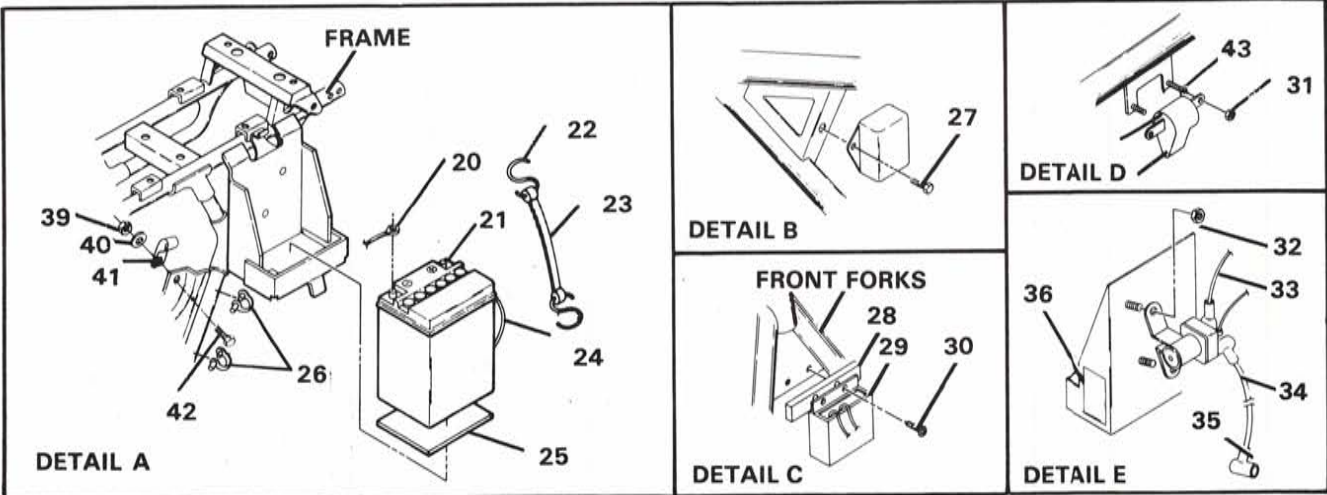
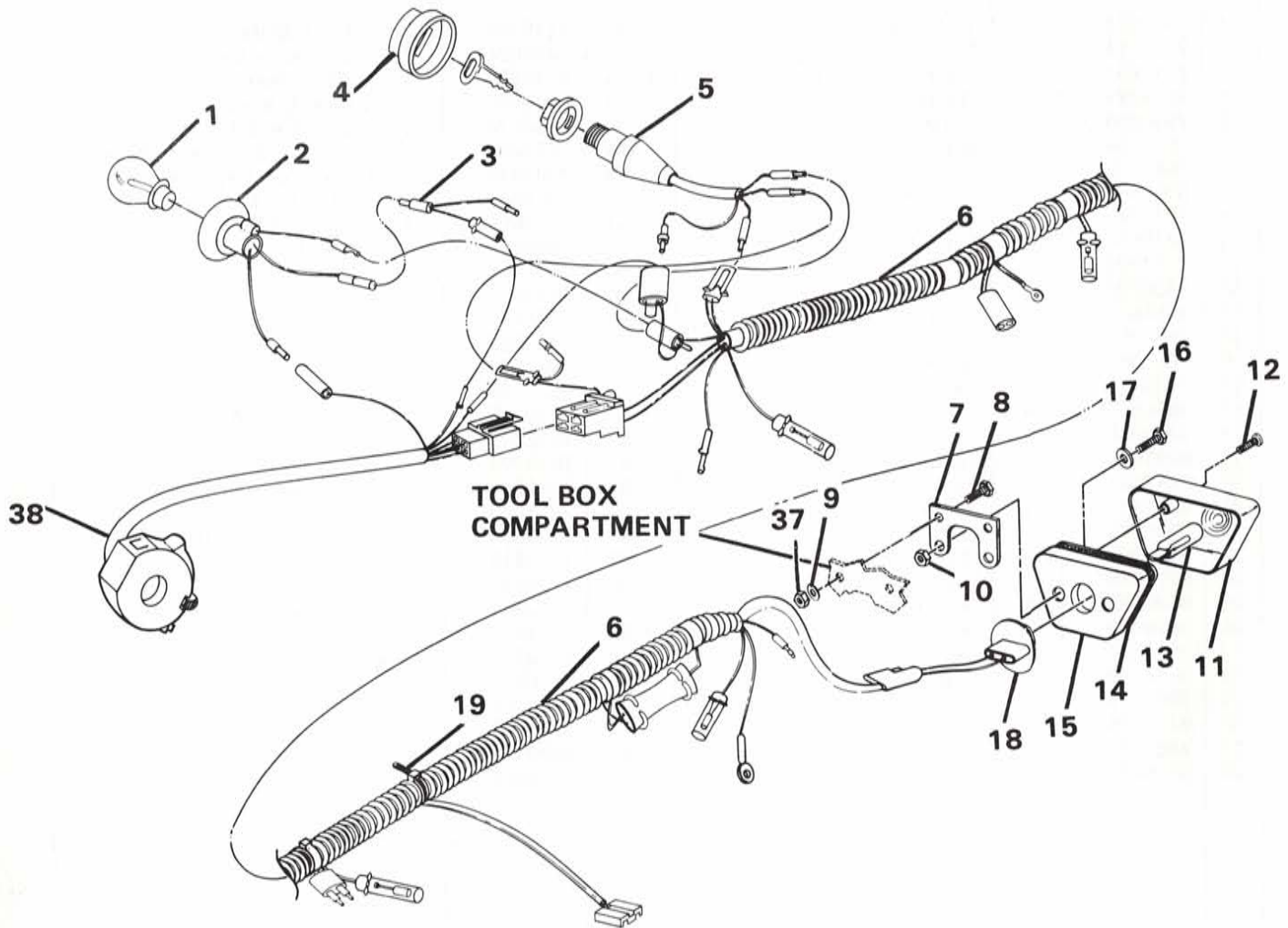


Figure 24. Wire Harness. See List 24.

Wire Harness

Ref. No.	Part No.	Qty.	Description
1	4032007	1	Bulb, Headlight
2	4032011	1	Socket Cord Assembly
3	2460248	1	Harness High Beam Ind.
4	5410433	2	Cover, Ignition Key
5	4110065	1	Switch, Ignition
6	2460236	1	Main Wire Harness
7	5210985	1	Bracket, Taillight
8	7512261	2	Bolt
9	7558301	2	Washer
10	7541925	2	Nut
11	4032030	1	Lens, Taillight
12	4032029	2	Screw, Taillight
13	4030040	1	Bulb, Taillight
14	4032031	1	Gasket, Taillight
15	4032032	1	Backing, Taillight
16	7511930	2	Bolt
17	7558203	2	Washer
18	4032033	1	Socket Taillight Asm.
19	7080272	10	Strap, Blk., Weather Resistant
20	4010066	1	Cable, Battery/Engine
21	4140006	1	Battery

Ref. No.	Part No.	Qty.	Description
22	7010032	2	Hook, Battery Strap
23	5410424	1	Strap, Battery Hold Down
24	5521133	1	Vent, Battery
25	5810290	3	Battery Pad
26	7080303	2	Polyclamp, Hold On Hose
27	7512232	2	Bolt
28	5210650	1	Heatsink
29	4060077	1	Regulator/Rectifier
30	7522015	2	Screw
31	7541925	2	Nut
32	7541925	2	Nut
33	4010065	1	Cable, Battery/Solenoid
34	4010064	1	Cable, Solenoid/Starter
35	5410346	4	Insulator, Cable
36	7072245	1	Decal, Battery Box
37	7542122	2	Nut
38	4110063	1	Switch, Hi/Lo/Start
39	7542439	1	Nut
40	7555720	1	Washer
41	7080326	1	Clamp, Cable
42	7512491	1	Capscrew
43	7571602	2	Washer

**USED ON SCRAMBLER
AND TRAIL BOSS**

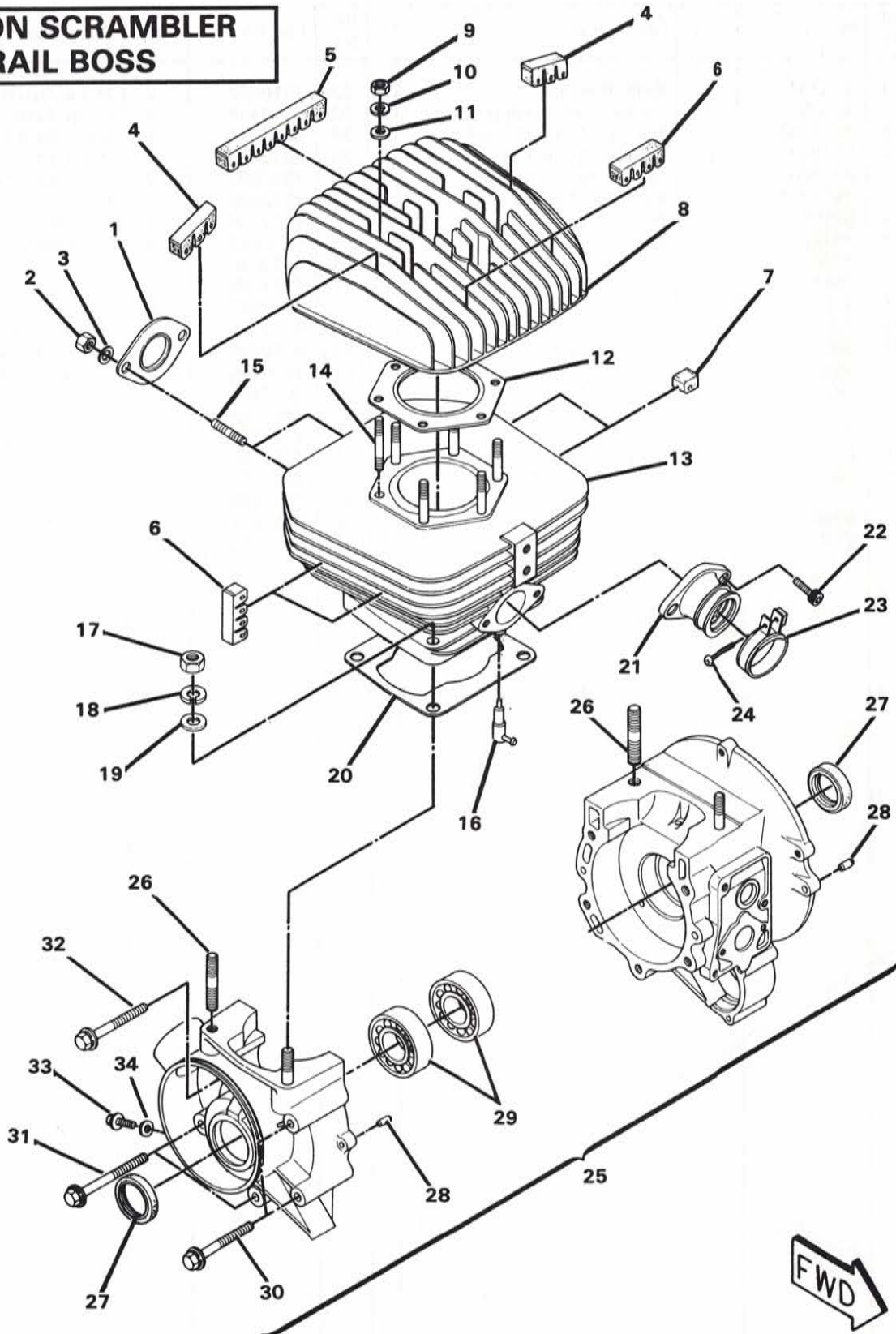


Figure 25. Crankcase and Cylinder Assembly. See List 25.

Crankcase and Cylinder Assembly

Ref. No.	Part No.	Qty.	Description
1	3082510	1	Gasket, Exhaust
2	3080285	2	Nut
3	3080530	2	Spring Washer
4	3083624	2	Fin Damper 4
5	3083623	1	Fin Damper 3
6	3083261	4	Fin Damper 1
7	3083622	2	Fin Damper 2
8	3083620	1	Cylinder Head
9	3080119	6	Nut
10	3083572	6	Spring Washer
11	3082673	6	Washer
12	3083676	1	Gasket, Head
13	3083617	1	Cylinder Compl. (Incl. 14-16)
14	3083618	6	Stud
15	3080016	2	Stud
16	3083337	1	Check Valve
17	3080047	4	Nut
18	3080281	4	Spring Washer

Ref. No.	Part No.	Qty.	Description
19	3080356	4	Washer
20	3083733	1	Gasket, Cylinder
21	3083412	1	Adapter
22	3081330	2	Bolt
23	3082257	1	Band Assembly (Incl. 24)
24	3081497	1	Screw
25	3083614	1	Crankcase Assembly (Incl. 26-34)
26	3080746	4	Stud
27	3082162	2	Oil Seal
28	3080103	4	Dowel Pin
29	3080004	2	Ball Bearing
30	3080739	2	Bolt & Washer Assembly
31	3083615	2	Bolt & Washer Assembly
32	3082096	1	Bolt & Washer Assembly
33	3083616	1	Flange Bolt, Drain
34	3082758	1	Gasket, Aluminum

**USED ON SCRAMBLER
AND TRAIL BOSS**

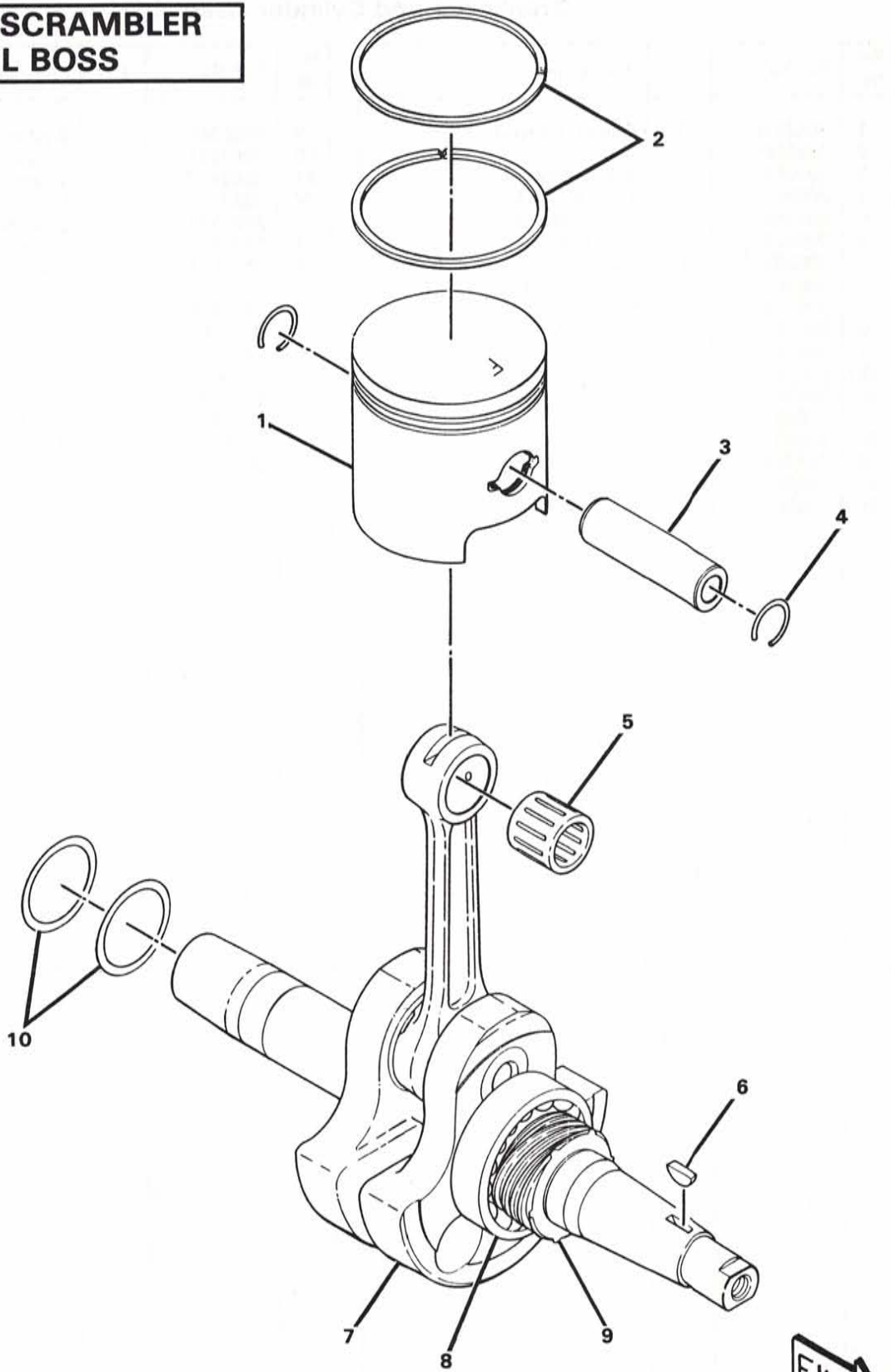


Figure 26. Crankshaft and Piston Assembly. See List 26.

Crankshaft and Piston Assembly

Ref. No.	Part No.	Qty.	Description
1	3083627	1	Piston, Std.
1	3083677	1	Piston, .010 Oversized
1	3083717	1	Piston, .020 Oversized
2	3083546	2	Piston Ring, Std.
2	3083678	2	Piston Ring, .010 Oversized
2	3083680	2	Piston Ring, .020 Oversized
3	3083512	1	Piston Pin
4	3083628	2	Clip, Piston Pin

Ref. No.	Part No.	Qty.	Description
5	3083626	1	Small End Bearing
6	3081543	1	Woodruff Key
7	3083625	1	Crankshaft Assembly (Incl. 8 & 9)
8	3080004	1	Ball Bearing
9	3083414	1	Crankshaft Gear, O/I
10	3083629	AR	Spacer 1, 0.2 mm
10	3083630	AR	Spacer 3, 0.1 mm

**USED ON SCRAMBLER
AND TRAIL BOSS**

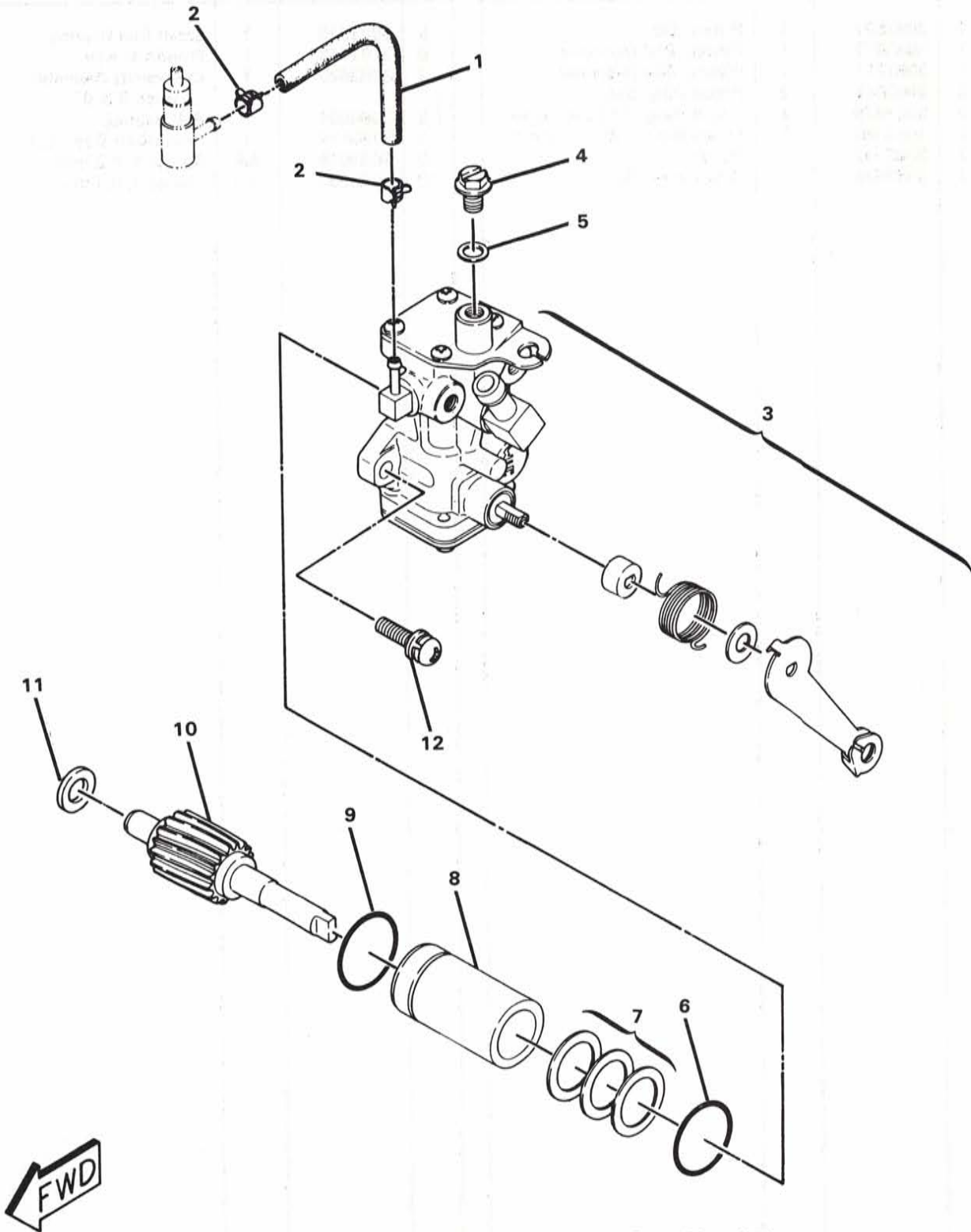


Figure 27. Oil Pump Assembly. See List 27.

Oil Pump Assembly

Ref. No.	Part No.	Qty.	Description
1	3083140	1	Rubber Pipe 3
2	3083141	2	Hose Clamp
3	3083746	1	Oil Pump Assembly (Incl. 4-6)
4	3083125	1	Air Vent Screw
5	3083126	1	Packing
6	3083127	1	"O" Ring
7	3083671	AR	Spacer 1, 0.15 mm

Ref. No.	Part No.	Qty.	Description
7	3083672	AR	Spacer 2, 0.3 mm
7	3083673	AR	Spacer 3, 0.6 mm
8	3083674	1	Bush, Oil Pump
9	3083129	1	"O" Ring
10	3083429	1	Small Gear
11	3083428	1	Spacer
12	3083558	2	Screw & Washer Assembly

Carburetor Assembly

Ref. No.	Part No.	Qty.	Description
1	3130353	1	Carburetor Assembly
2	3130363	1	Cap
3	3130354	1	Spring, Throttle
4	3130002	1	Plate, Throttle
5	3130003	1	"E" Ring
6	3130356	1	Jet Needle
7	3130355	1	Washer
8	3130357	1	Throttle Valve
9	3130358	1	Needle Jet
10	3130359	1	Plunger Cap
11	3130006	1	Plunger Spring
12	3130328	1	Starter Plunger Assembly
13	3130010	1	Spring, Throttle Adjuster
14	3130324	1	Throttle Stop Screw
15	3130362	1	Hose

Ref. No.	Part No.	Qty.	Description
16	3130233	1	Air Screw
17	3130012	1	Air Adjuster
18	3130331	1	Pilot Jet, No. 30
19	3130014	1	Washer, Main Jet
20	3130025	4	Screw & Washer Assembly
21	3130321	1	Cap, Main Jet
22	3130239	1	"O" Ring
23	3130114	1	Main Jet, No. 155
24	3130021	2	Float Assembly
25	3130237	2	Cap
26	3130020	1	Float Chamber Packing
27	3130360	1	Needle Valve, 2.5
28	3130018	1	Float Arm
29	3130361	1	Float Pin
30	3130017	1	Packing, Needle Valve

**USED ON SCRAMBLER
AND TRAIL BOSS**

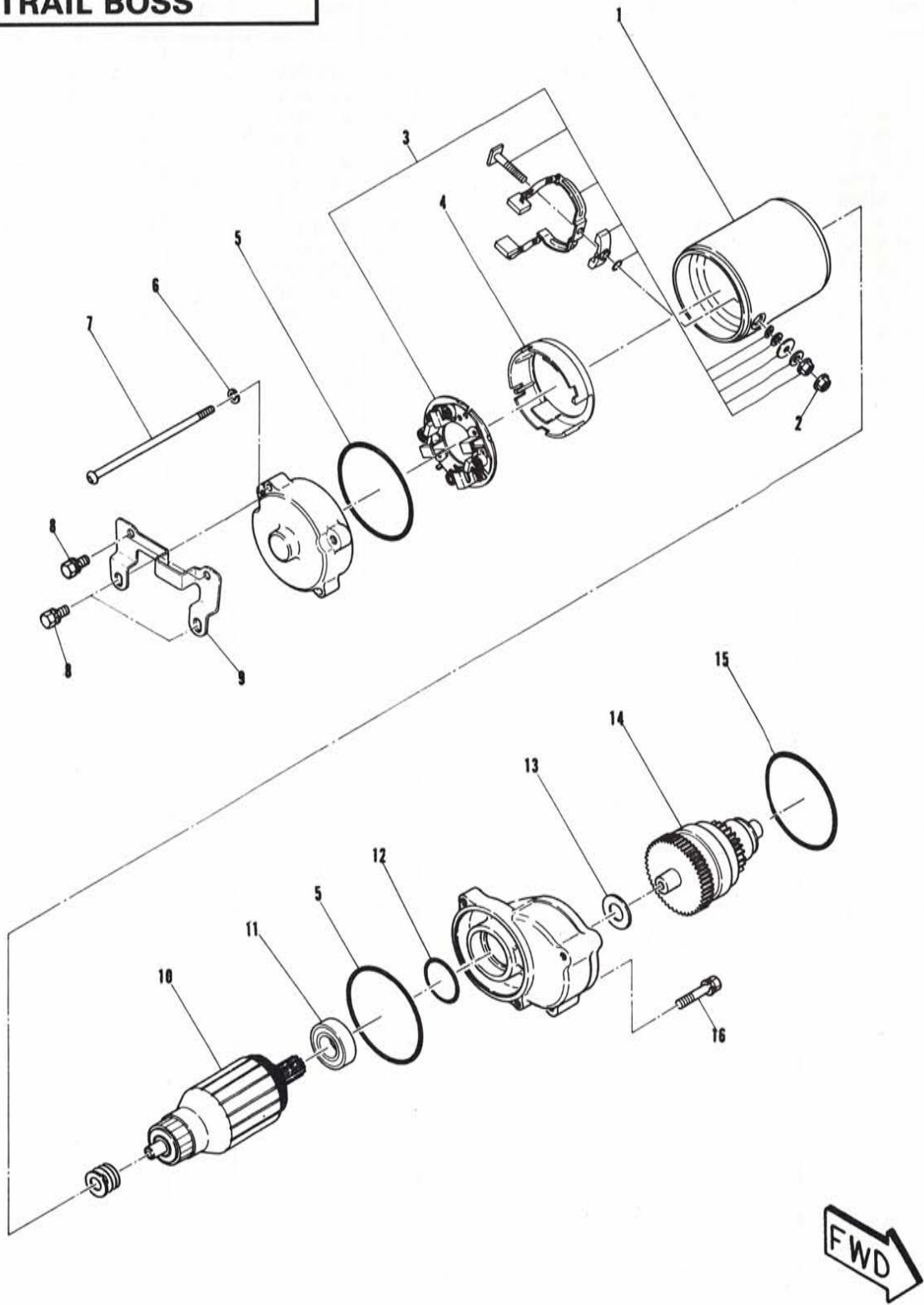


Figure 29. Starting Motor Assembly. See List 29.

Starting Motor Assembly

Ref. No.	Part No.	Qty.	Description
1	3083748	1	Starter Assembly (Incl. 3-7, 10-12)
2	3083649	1	Flange Nut
3	3083728	1	Brush Compl.
4	3083740	1	Brush Holder
5	3083738	2	Rubber Ring
6	3083133	2	Spring Washer
7	3083739	2	Through Bolt
8	3083651	4	Bolt & Washer Assembly

Ref. No.	Part No.	Qty.	Description
9	3083650	1	Bracket
10	3083749	1	Armature Assembly (Incl. 11)
11	3513505	1	Ball Bearing
12	3083741	1	"O" Ring
13	3083737	1	Washer (Gear Shaft)
14	3083647	1	Gearshaft Assembly (Incl. 13)
15	3083648	1	"O" Ring
16	3081663	2	Bolt & Washer Assembly

**USED ON SCRAMBLER
AND TRAIL BOSS**

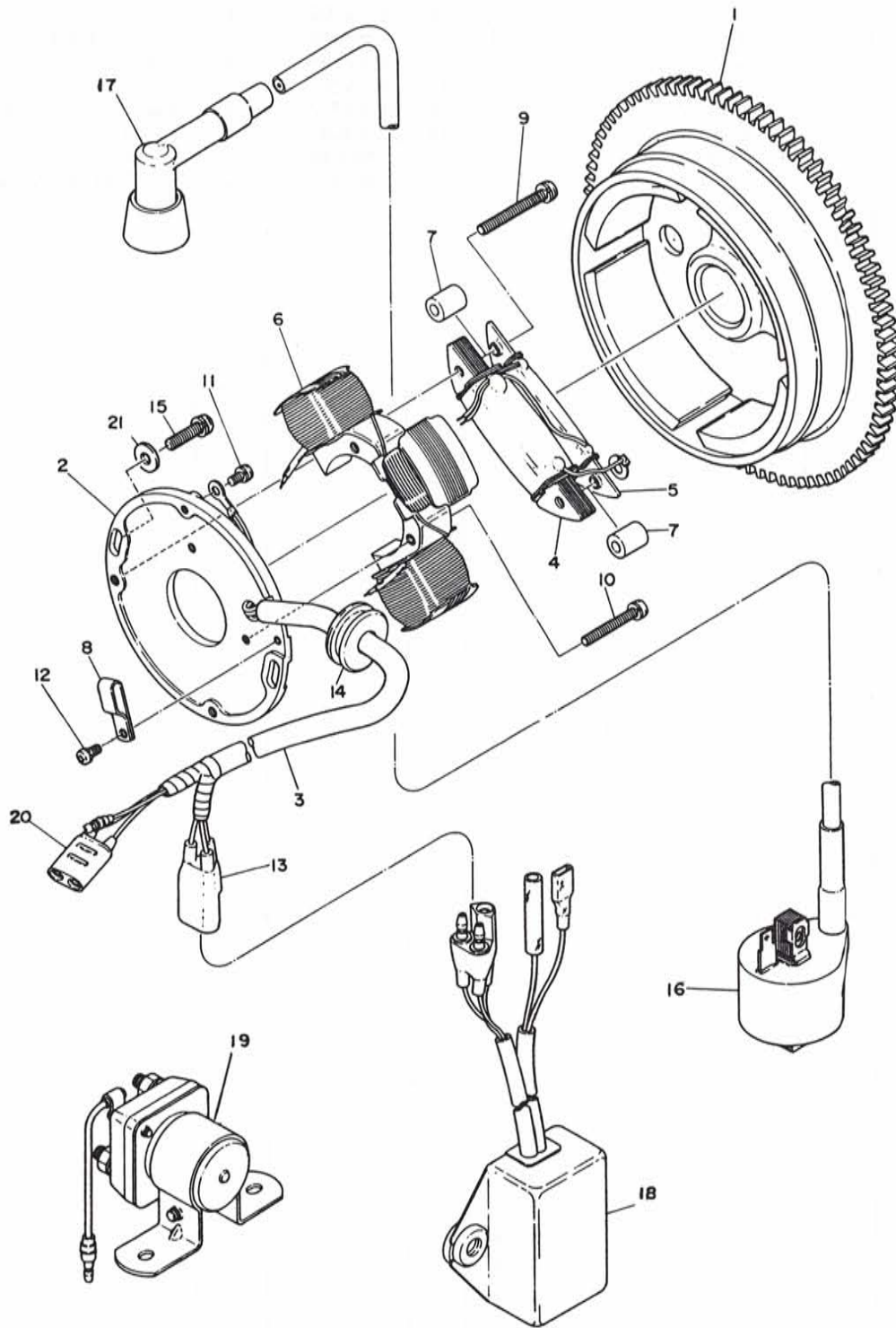


Figure 30. Magneto Assembly. See List 30.

Magneto Assembly

Ref. No.	Part No.	Qty.	Description
1	3083632	1	Flywheel, w/Ring Gear
	3083751	1	Plate Assembly
2	3083634	1	Coil Plate
3	3083734	1	Wire Harness
4	3083636	1	Exciting Coil Compl.
5	3083637	1	Pulser Coil Compl.
6	3083638	1	Lighting Coil Compl.
7	3083639	2	Collar
8	3081146	1	Clamp
9	3081588	2	Screw & Washer Assembly
10	3083736	2	Screw & Washer Assembly

Ref. No.	Part No.	Qty.	Description
11	3081256	1	Screw & Washer Assembly
12	3081260	1	Screw & Washer Assembly
13	3083150	1	3P Coupler
14	3083641	1	Grommet
15	3083558	2	Screw & Washer Assembly
16	3083642	1	Ignition Coil Compl.
17	3083282	1	Spark Plug Cap
18	3083643	1	C.D.I. System Compl.
19	3083211	1	Magnetic Switch Compl.
20	3083644	1	Coupler (2P)
21	3083357	2	Washer

**USED ON SCRAMBLER
AND TRAIL BOSS**

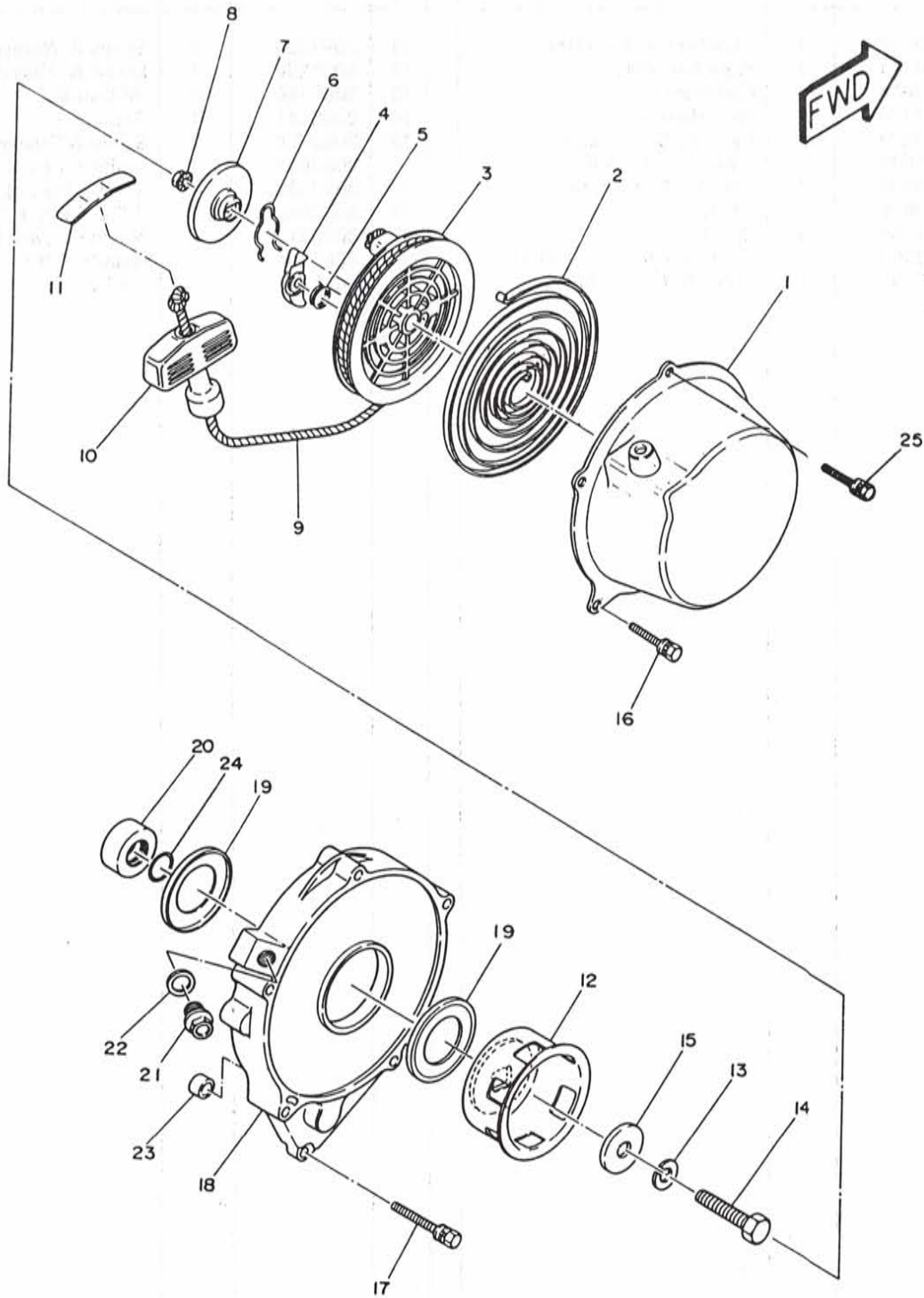


Figure 31. Recoil Starter Assembly. See List 31.

Recoil Starter Assembly

Ref. No.	Part No.	Qty.	Description
	3083653	1	Recoil Starter Compl. (Incl. 1-11)
1	3083654	1	Starter Case Compl.
2	3083376	1	Spiral Spring
3	3083377	1	Reel Compl.
4	3083378	1	Ratchet
5	3083463	1	Return Spring
6	3083379	1	Friction Spring
7	3083464	1	Friction Plate
8	3083381	1	Flange Nut
	3083657	1	Rope Assembly (Incl. 9-11)
9	3083658	1	Starter Rope
10	3083659	1	Starter Knob Compl.
11	3083660	1	Knob Cap
12	3083661	1	Starting Pulley Unit

Ref. No.	Part No.	Qty.	Description
13	3080281	1	Spring Washer
14	3083662	1	Bolt
15	3083663	1	Washer
16	3083664	4	Bolt & Washer Assembly
17	3083665	1	Bolt & Washer Assembly
18	3083752	1	Housing Compl. (Incl. 19,23) (Magneto)
19	3083742	2	Oil Seal
20	3083743	1	Collar
21	3083453	1	Plug
22	3082717	1	Gasket (Aluminum)
23	3083669	1	Bush (Starter)
24	3083744	1	"O" Ring
25	3083729	1	Bolt & Washer Assembly

**USED ON SCRAMBLER
AND TRAIL BOSS**

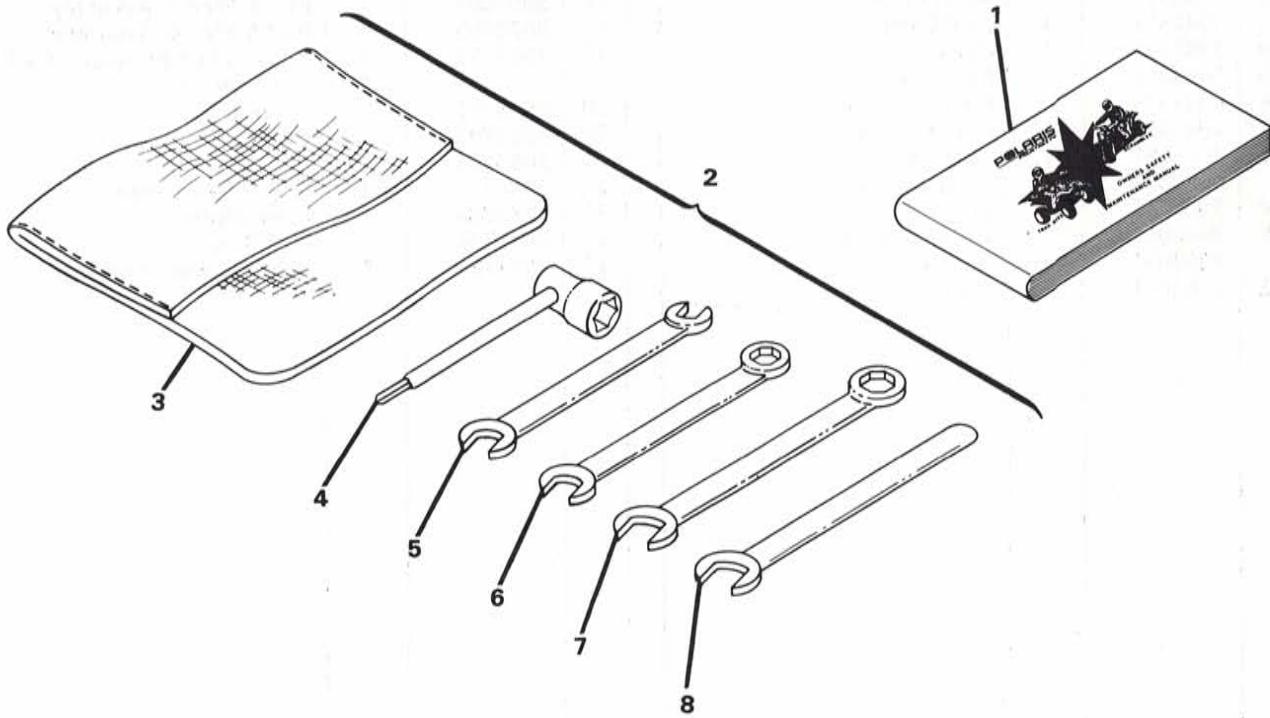


Figure 32. Tool Kit Assembly. See List 32.

Ref. No.	Part No.	Qty.	Description
1	9911167	1	Operator Manual
2	2870638	1	Tool Kit Assembly
3	2690016	1	Tool Kit Pouch
4	3083612	1	Box Wrench, Special

Ref. No.	Part No.	Qty.	Description
5	3083613	1	Wrench, 10-12 Spanner
6	7080299	1	Wrench, 7/16" Box/Open
7	7080301	1	Wrench, 1/2" Box/Open
8	7080302	1	Wrench, 3/4 Open

219109

POLARIS
INDUSTRIES INC.

August, 1985



Parts Catalog Number 9911170
Roseau, MN 56751
218-463-2312