

HONDA

PARTS CATALOG

ATC350X'85•'86

How To Use This Catalog

This parts catalog is to be used when ordering replacement parts for the model (s) specified on the microfiche strip.

CATALOG PAGE BREAKDOWN

MODEL(S)	MODEL APPLICATION								AREA CODE	ENGINE SERIAL NUMBER	QTY REQ	PART NUMBER	HONDA CODE	
	1	1	1	1	1	1	1	1						
REF. NO.	BLOCK NO.	E-1	4	5	6	7	4	5	6	7	FROM	TO		
	DESCRIPTION		4	5	6	7	4	5	6	7				



1. **REF NO.** — Reference number corresponding with the reference numbers on the illustrations. * All illustrations are representative only and do not necessarily correspond exactly to the actual part. "NI" signifies the part is not illustrated.

2. **DESCRIPTION** — Describes the part for the related part number.

Abbreviations:

ASSY	- Assembly	L (100L)	- Link (100 Links)
COMP	- Complete	A.C.	- Alternating Current
R.	- Right	D.C.	- Direct Current
L.	- Left	IN	- Inlet
STD	- Standard	EX	- Exhaust
MM	- Millimeter	FR	- Front
G	- Gram	RR	- Rear
T (22T)	- Tooth (22 Teeth)	HEX	- Hexagonal
A	- Ampere	A.M	- Attaching Mark
V	- Volt	T.M	- Transcript Mark
W	- Watt	C.D.I.	- Capacitive Discharge Ignition
KPH	- Kilometer Per Hour	WL	- With Labeling
MPH	- Miles Per Hour	WOL	- Without Labeling

3. **MODEL APPLICATION** — Model application for the various models listed within the catalog. Single model applications will not require this section.

3a. **MODEL YEAR GUIDE** — A guide to the part application. (prior to 1976 the guide reference is the model designation i.e., K0, K1, etc... For 1976 and above the guide reference is the last digit of the model year i.e., 1976=6, 1977=7, 1985=5 etc...)

4. **AREA CODE** — Area codes for parts that are unique to a particular area. Area codes are defined in the Serial Number application chart when applicable. This column will not be used in catalogs which do not include unique area codes.

5. **SERIAL NUMBER** — Applies to Engine or Frame serial numbers depending on the section. The serial number of the vehicle (frame, engine, carburetor) should be checked prior to ordering parts for a specific unit. In cases where a part has been modified, the serial number of the vehicle bearing the modification is listed in the 'SERIAL NUMBER' column. The modification parts are controlled by each pertinent serial number below.

Engine serial number — Engine group parts (Block numbers beginning with 'E').

Carburetor identification number — Carburetor component parts.

Frame serial numbers — Frame group parts (Block numbers beginning with 'F'). Serial number application chart and Serial number locations are provided.

Note: Some models may be controlled by one serial number only.

Decision for 'R' or 'L'.
 'R' or 'L' in the description of a part stands for the Right hand side or the Left hand side which is decided by the forward direction of travel of the vehicle.

How To Use This Catalog

6. **QTY REQ** — Quantity required per unit as specified.
 A "N" in place of the quantity indicates AS REQUIRED.
 B "()" or "()" by the quantity required indicates "optional".

7. **PART NUMBER** — Part number corresponding to the reference numbers and application. Several part numbers may be listed under one (1) reference number. For your convenience the current supersede chain, as of print date, has been listed for you. Supersede chains are subject to change without notice.

MAKE-UP OF PART NUMBERS
 All parts are classified into two groups consisting of "GENERAL PARTS" and "STANDARD PARTS". All parts are numbered in accordance with system described below:

General Parts
 Example: Fork comp. Part No. 51105-GR1-700ZA
 Function No. 51
 Component No. 105
 Parts Classification No. -GR1-
 Classification No. 700
 *Color Code ZA

Standard Parts
 Example: 8 x 8 Hex., Bolt Part No. 92000-08018-1A
 Function No. 92
 Type No. 000
 Dimensions -08018-
 ISO Standard Designation 1
 Chemical Surface Treatment A

* The color code at the end of a General Part's part number indicate the color. However, color codes such as ZA, ZB, ZC onward except ZZ, do not indicate the color directly but refer to the notes ** in the Description Column of this Parts Catalog Microfiche. If the color description is not indicated in the text, refer to the color table.

8. **HONDA CODE** — The Honda Code is listed to the right of each Part Number.

A. **ADDITIONAL INFORMATION** — The table of contents located at the right of each microfiche grid lists sectioned titles in alphabetical order. Some microfiche will require separate tables of contents for the Engine and Frame sections which will be noted in a sub-heading. The introduction section (Row "A") of these microfiche will have the contents of the Engine Section on even number grids and the contents of the Frame Section on odd number grids.

NOTE:

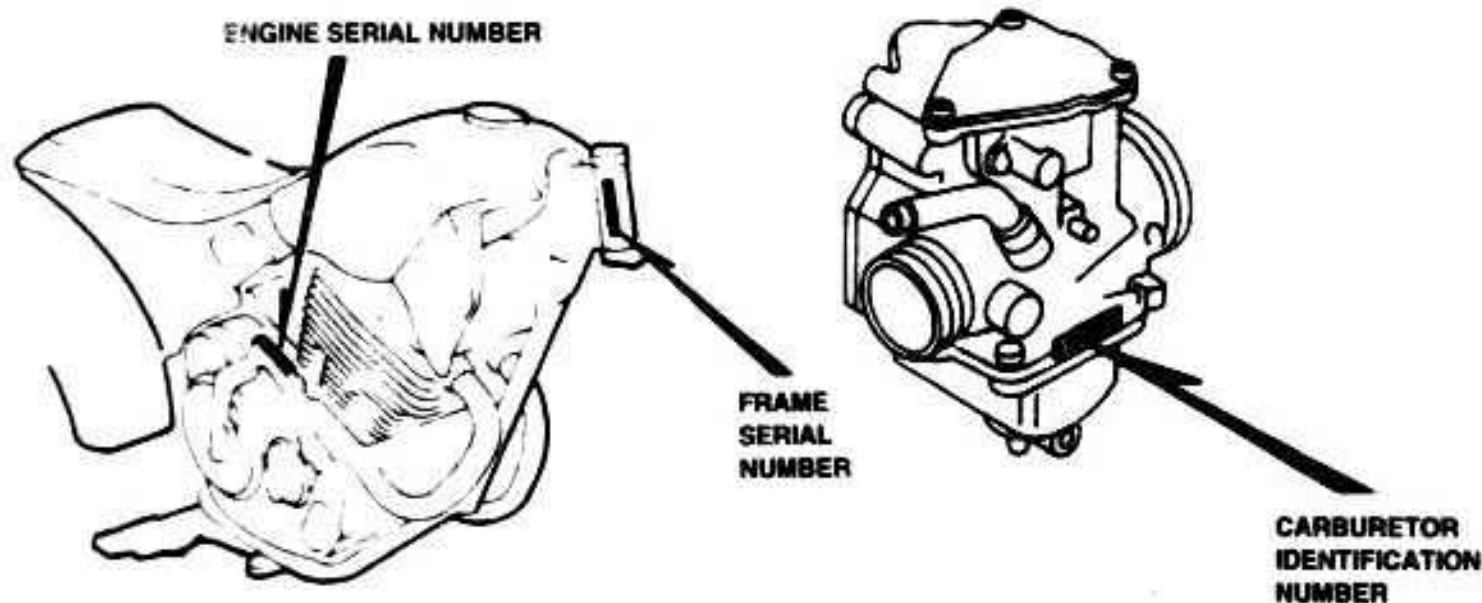
1. The Block No. listed in the upper right hand corner of the Description heading refers to a complete illustration page and it's text, and should not be confused with the GRID NO. when using microfiche.
2. Rear view mirrors are standard equipment on all street legal models.

Serial Numbers

Models and applicable serial numbers

Models and applicable serial Nos. given in this parts catalog can be identified as follows.

Model	Area Code	Applicable Engine Serial No.	Applicable Frame Serial No.	Applicable Carburetor Identification No.
ATC350x '85	A	TE08E-5000042 To 5025557	TE080- FM000032 To FM025531	QA05A <u>A</u>
ATC350x '86	A	TE08E-5100010 To SUBS	TE080- GM100008 To SUBS	QA05A <u>B</u>



Construction of Vehicle Identification Number (V.I.N.)

(Example) **W.M.I.** JH2 **V.D.S.** RC040 • **B** **M** **V.I.S.** 200001

V.M. ... World manufacturer identifier
 V ... Vehicle descriptor section
 V.I.S. ... Vehicle indicator section

Sequential Production number

Plant representation

- A ... OHIO factory in U.S.A
- B ... AALST factory in BELGIUM
- C ... SAITAMA factory in JAPAN
- D ... GUADALAJARA factory in MEXICO
- E ... MONTESA factory in SPAIN
- F ... ATESSA factory in ITALY
- K ... KUMAMOTO factory in JAPAN
- M ... HAMAMATSU factory in JAPAN
- R ... MANAUS factory in BRAZIL
- S ... SUZUKA factory in JAPAN
- T ... TOCHIGI factory in JAPAN

Model year

(Example)

B .. 1981 C .. 1982 D .. 1983 X .. 1999

<Except I.O.Q.U>

Check digit

This code is used to detect errors in the V.I.N. and consists of a single-digit number (0-9) or a letter "X". It has no direct bearing upon the V.D.S. and V.I.S.

Vehicle description code

(Example) RC040 ... CB750F NC030 ... CB400T
 Refer to: SERIAL NUMBERS

Make and Type of vehicle

- JH2 ... HONDA, Motorcycle (Manufactured in JAPAN)
- 1HF ... HONDA, Motorcycle (Manufactured in U.S.A.)
- YC1 ... HONDA, Motorcycle (Manufactured in BELGIUM)
- 9C2 ... HONDA, Motorcycle (Manufactured in BRAZIL)
- 3H1 ... HONDA, Motorcycle (Manufactured in MEXICO)
- VTM ... HONDA, Motorcycle (Manufactured in SPAIN)
- ZDC ... HONDA, Motorcycle (Manufactured in ITALY)
- JH3 ... HONDA, All terrain vehicle (Manufactured in JAPAN)
- 478 ... HONDA, All terrain vehicle (Manufactured in U.S.A.)

Any change or modification of parts is directly related to the V.D.S. and V.I.S.
 A V.I.S. number will appear in the "Serial No." column of the Parts Catalog if a part is changed or modified.

COMMENT:

This example is generic and applies to 1981 and newer vehicles. 1980 models and prior are referred to as "FRAME NUMBERS" and the constructor is designed by using the model designation or code followed by a sequential number.

Color Tables

Color Chart

- (WL) = Stripes and labels other than caution labels are included in parts whose part name end in (WL).
- (WOL) = Stripes and labels are not included in parts whose part name end in (WOL).

COLOR CODE TABLE (Color Descriptions omitted from the main text of the catalog)

TYPE OF PARTS	COLOR CODE	COLOR DESCRIPTION
PAINTED PARTS	A	WHITE
	B	BLACK
	C	SCARLET
	E	ROYAL BLUE
	N	DARK BLUE
	Q	MARJEM BLUE
	R	IVORY YELLOW
	S	DARK SILVER
	T	METALLIC SILVER
	XW	CHROME
	Z	PRIMER
	ZZ	PRIMER
	VINYL PARTS	A
B		BLUE
D		LIGHT BLUE
E		SCARLET
G		DARK ROSE
N		ELEPHANT GRAY & IVORY
Q		WHITE
V		IVORY

Manuals

DESCRIPTION	MANUAL NUMBER	H/C
ATC350X '85-'86 SERVICE MANUAL	61HA501	2142487

Model ID Photo



ATC350X'85 ALL TERRAIN CYCLE



ATC350X'86 ALL TERRAIN CYCLE

Specifications

SECTION/SUBJECT	ATC350X'85	ATC350X'86
ENGINE		
Cylinder	One Cylinder	One Cylinder
Strokes	4-Stroke	4-Stroke
Cooling	Air Cooled	Air Cooled
Camshaft	SOHC	SOHC
Valves per cylinder	4-Valve	4-Valve
Displacement	350cc	350cc
Lubrication system	Wet Sump	Wet Sump
Carburetor	C.V. QA05A 31mm	C.V. QA10A 31mm
Main jet	# 138	# 138
Slow jet	# 42	# 45
TRANSMISSION		
Transmission type	Manual	Manual
Transmission speeds	6-Speed	6-Speed
Clutch	Manual	Manual
Shift pattern	1-N-2-3-4-5-6	1-N-2-3-4-5-6
CHASSIS		
Fuel tank capacity (Std)	2.6gal	2.6gal
Fuel tank capacity (Res)	0.5gal	0.4gal
Air filter type	Foam	Foam
Foam filter oil - Pro Honda	P/N 08207-0001	P/N 08207-0001
Countershaft sprocket	13T	13T
Rear wheel sprocket	40T	40T
Drive chain	520	520
Drive chain	90L	90L
Front Brake	Disc	Disc
Rear Brake	Disc	Disc
Front tire	23.5x8-11	23.5x8-11
Tire pressure	4.0PSI	4.0PSI
Rear tire	22X10-9	22X10-9
Tire pressure	3.0PSI	3.0PSI
SERVICE/TUNING		
Valve clearance:		
Intake	0.08mm (0.003")	0.08mm (0.003")
Exhaust	0.08mm (0.003")	0.08mm (0.003")
Ignition type	CDI	CDI
Spark plug gap	0.6-0.7mm (0.024-0.028")	0.6-0.7mm (0.024-0.028")
LUBRICATION		
Recommended fuel	86+Octane	86+Octane

(Continued)

Model ID Photo



ATC350X'85 ALL TERRAIN CYCLE



ATC350X'86 ALL TERRAIN CYCLE

Specifications

SECTION/SUBJECT	ATC350X'85	ATC350X'86
LUBRICATION (continued)		
Engine oil - Pro Honda GN4 10W40 GN4 20W50 Engine oil capacity After draining After reassembly	P/N 08206-0001 P/N 08206-0002 1.9qts 2.4qts	P/N 08206-0001 P/N 08206-0002 1.9qts 2.4qts
Chain lubricant Pro Honda chain lube	P/N 08209-0002	P/N 08209-0002
Fork oil Pro Honda Viscosity Capacity after draining	P/N 08208-0010 10W 290cc	P/N 08208-0010 10W 290cc
Brake fluid - Pro Honda DOT 4	P/N 08203-0004	P/N 08203-0004

Bulk Hose

BULK HOSE CROSS REFERENCE CHART

To convert a cut hose part number to the equivalent of roll hose simply match the two part numbers using the following chart, cutting the required length indicated by the cut hose part number.

FUEL HOSE		VACUUM HOSE	
CURRENT CATALOG LISTING	BULK HOSE PART NUMBER	CURRENT CATALOG LISTING	BULK HOSE PART NUMBER
95001-35 --- 2 ---	95001-35003-20M	95005-35 --- 2 ---	95005-35008
95001-35 --- 4 ---	95001-35003-40M	95005-35 --- 3 ---	
95001-45 --- 2 ---	95001-45003-20M	95005-35 --- 1 ---	
95001-45 --- 4 ---	95001-45008-40M	95005-45 --- 2 ---	95005-45008-10M
95001-55 --- 2 ---	95001-55008-20M	95005-45 --- 3 ---	
95001-55 --- 4 ---	95001-55008-40M	95005-50 --- 3 ---	95005-50003-30M
95001-75 --- 4 ---	95001-75008-40M	95005-55 --- 2 ---	95005-55003-20M
		95005-70 --- 3 ---	95005-70003-30M
		95005-75 --- 1 ---	95005-75003-10M
		95005-75 --- 2 ---	
		95005-80 --- 1 ---	95005-80008-10M
		95005-80 --- 2 ---	
		95005-80 --- 3 ---	
		95005-12 --- 2 ---	95005-12003-10M

ORDERING INFORMATION

FUEL HOSE

PART NUMBER	H/C	INSIDE DIAMETER	ROLL LENGTH
95001-35003-20M	2380533	3.5 mm	3M (9.9ft)
95001-35003-40M	2380541	3.5 mm	3M (9.9ft)
95001-45003-20M	2380558	4.5 mm	3M (9.9ft)
95001-45008-30M	2324986	4.5 mm	8M (26.4ft)
95001-55008-20M	2386134	5.3 mm	8M (26.4ft)
95001-55008-30M	2385896	5.3 mm	8M (26.4ft)
95001-75003-20M	2385094	7.5 mm	3M (9.9ft)
95001-75003-30M	2385904	7.5 mm	3M (9.9ft)

VACUUM HOSE

PART NUMBER	H/C	INSIDE DIAMETER	ROLL LENGTH
95005-35008-10M	2325058	3.5 mm	8M (26.4ft)
95005-45008-10M	2325082	4.5 mm	8M (26.4ft)
95005-50003-30M	2380608	5.3 mm	3M (9.9ft)
95005-55008-10M	2386886	5.5 mm	8M (26.4ft)
95005-65003-20M	2380624	6.5 mm	3M (9.9ft)
95005-75003-10M	2380640	7.3 mm	3M (9.9ft)
95005-80008-10M	2325108	8.0 mm	8M (26.4ft)
95005-12003-10M	2380657	12.0 mm	3M (9.9ft)
95005-14003-20M	2380665	14.0 mm	3M (9.9ft)

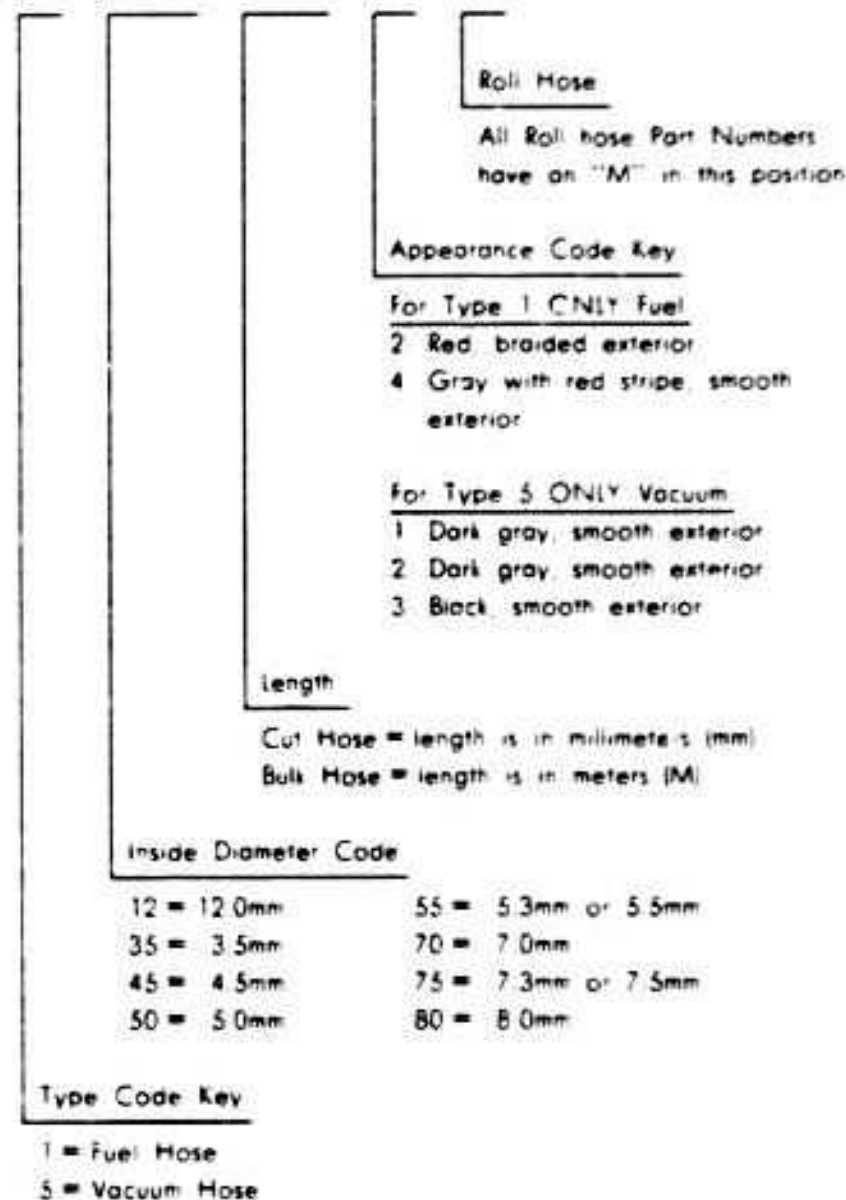
CAUTION: Damage to vacuum hose will result from contact with fuel. Do not use vacuum hose in place of fuel hose.

Bulk Hose

CONSTRUCTION OF FUEL AND VACUUM HOSE PART NUMBER

Part Number
(Example)

9 5 0 0 1 - 7 5 0 0 8 - 4 0 M



CAUTION: Damage to vacuum hose will result from contact with fuel. Do not use vacuum hose in place of fuel hose.

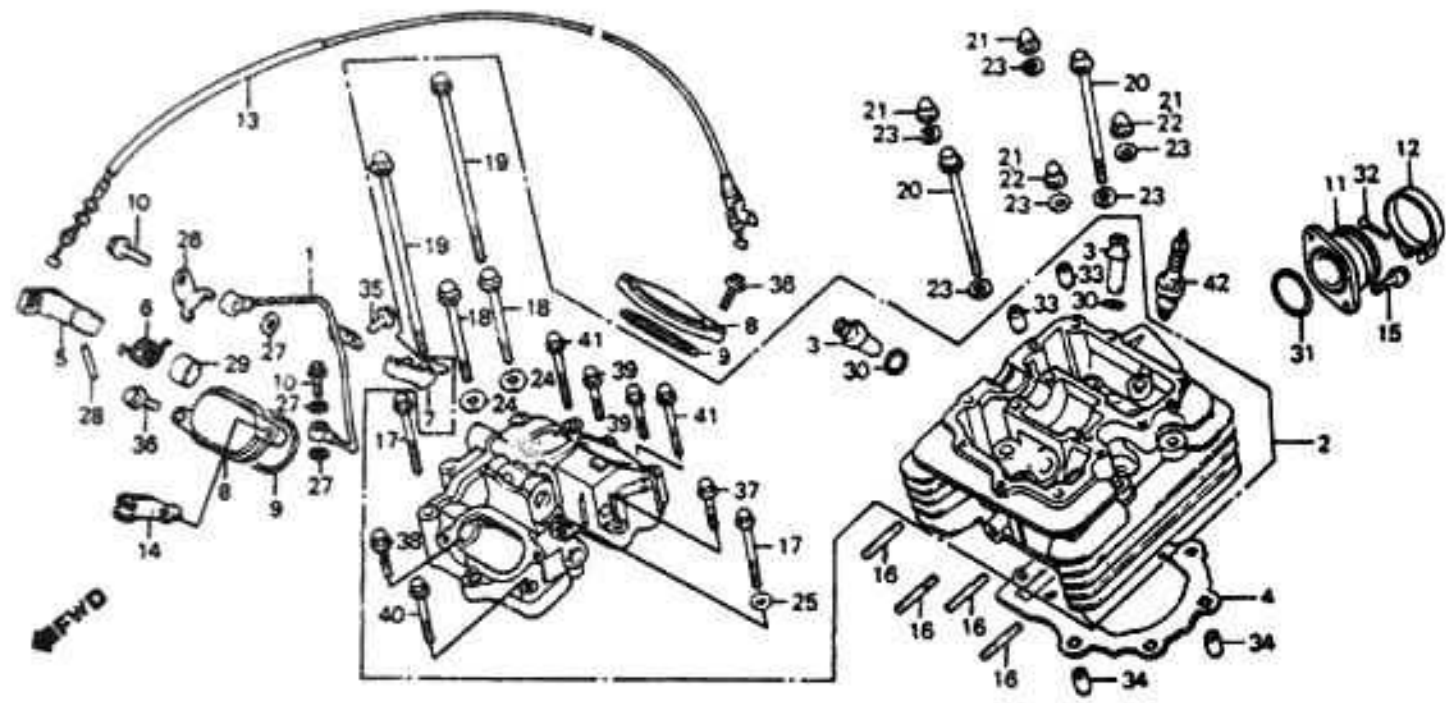
COMMONLY REQUIRED REPLACEMENT PARTS

5 = ATC350X'85 6 = ATC350X'86		A T C 3 5 0 X 8 5	A T C 3 5 0 X 8 6	SERIAL NUMBER		Q T Y R E Q	PART NUMBER	HONDA CODE
Ref. No.	DESCRIPTION			5	6			
	BULB, HEADLIGHT	5	6	-----	-----	2	34901-GJ1-003	2020311
	CHAIN, DRIVE	5	6	-----	-----	1	405W3-HB9-505	3514965
	CHAIN, DRIVE (RKS20HMX88RJ)	5	6	-----	-----	1	40530-HA5-006	2020766
	CHAIN, DRIVE (90L)	5	6	-----	-----	1	40530-HA5-003	2020758
	DISK, CLUTCH FRICTION	5	6	-----	-----	6	22201-HA5-670	2301539
	DISK, CLUTCH FRICTION	5	6	-----	-----	6	22201-KAE-000	3754421
	DISK, CLUTCH FRICTION	5	6	-----	-----	6	22201-KA3-712	1416429
	FILTER, AIR	5	—	-----	-----	1	17254-HA5-000	2018000
	GASKET SET	5	—	-----	-----	1	16010-HA5-004	2028132
	GASKET SET	5	6	-----	-----	1	16010-HA5-014	2062057
	GASKET SET	5	6	-----	-----	1	16010-HA5-305	3978749
	GRIP, HANDLE	5	6	-----	-----	2	53165-958-010	1274620
	HANDLEBAR	5	—	-----	-----	1	53100-HA5-000	2022390
	HANDLEBAR	—	6	-----	-----	1	53100-HA5-670	2149318
	HEADLIGHT UNIT (12V 35/36.5W) ...	5	6	-----	-----	2	33120-HA5-003	2020121
	LENS, TAILLIGHT	5	6	-----	-----	1	33302-965-003	1411883
	LEVER, THROTTLE	5	6	-----	-----	1	53145-HA0-000	1810373
	LEVER, THROTTLE	5	6	-----	-----	1	53145-HA0-770	2420032
	PLUG, SPARK (DR7ES NGK)	5	6	-----	-----	(1)	98069-57716	0961094
	PLUG, SPARK (DR7ES)	5	6	-----	-----	(1)	98069-57719	4093696
	PLUG, SPARK (DR8ES NGK)	5	6	-----	-----	(1)	98069-58716	0961110
	PLUG, SPARK (DR8ES)	5	6	-----	-----	(1)	98069-58719	4093704
	PLUG, SPARK (DR8ES-L NGK)	5	6	-----	-----	1	98069-38716	0905331
	PLUG, SPARK (DR8ES-L)	5	6	-----	-----	1	98069-38719	4093688
	PLUG, SPARK (X22ESR-UND)	5	6	-----	-----	(1)	98069-57726	0961102
	PLUG, SPARK (X24ESR-UND)	5	6	-----	-----	1	98069-58726	0905554
	PLUG, SPARK (X27ESR-UND)	5	6	-----	-----	(1)	98069-59726	0961128
	SPROCKET, DRIVE (13T)	5	6	-----	-----	1	23801-HA5-000	2019321

COMMONLY REQUIRED REPLACEMENT PARTS

5 = ATC350X'85 6 = ATC350X'86		A T C 3 5 0 X 8 5	A T C 3 5 0 X 8 6	SERIAL NUMBER		Q T Y R E Q	PART NUMBER	HONDA CODE
Ref. No.	DESCRIPTION			5	6			

CYLINDER HEAD



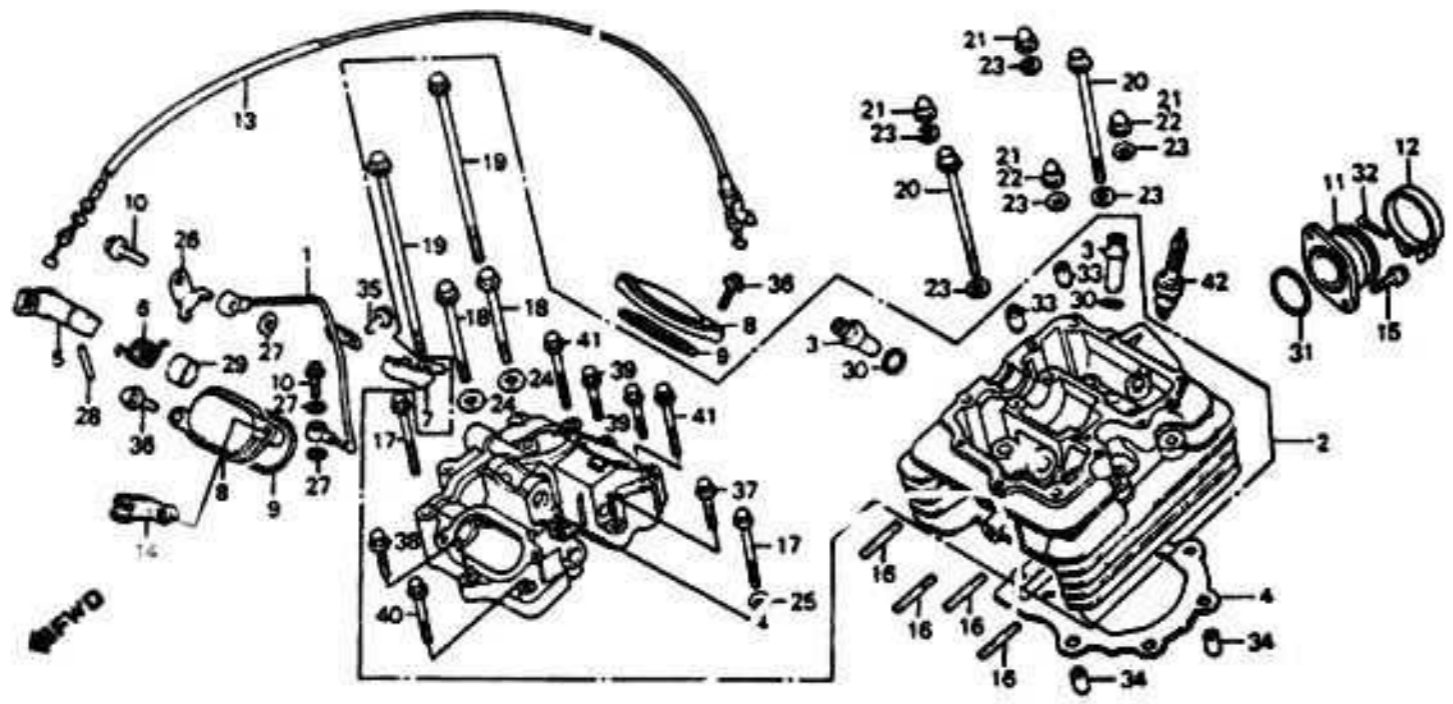
E14HA5F01

5 = ATC350X'85
6 = ATC350X'86

Ref No.	BLOCK NO. DESCRIPTION	E-1	ATC350X'85		ATC350X'86		QTY REQ	PART NUMBER	HONDA CODE
			5	6	FROM	TO			
1	PIPE COMP., OIL PASS		5	6	-----	-----	1	11335-HA5-000	2016699
2	HEAD ASSY., CYLINDER		5	--	-----	-----	1	12000-HA5-000	2016780
	HEAD ASSY., CYLINDER		5	--	-----	-----	1	12000-HA5-010	2049203
	HEAD ASSY., CYLINDER		5	6	-----	-----	1	12000-HA5-670	2148054
3	GUIDE, VALVE (O.S)		5	--	-----	-----	4	12232-HA0-305	1840453
	GUIDE, VALVE (O.S)		--	6	-----	-----	4	12233-HA5-305	2099398
4	GASKET, CYLINDER HEAD (NIPPON)		5	6	-----	-----	1	12251-HA5-004	2016871
	GASKET, CYLINDER HEAD (OS) (NIPPON)		5	6	-----	-----	(1)	12252-HA5-305	2049542
5	LIFTER COMP., VALVE		5	--	-----	-----	1	12319-HA5-000	2016897
	LIFTER COMP., VALVE		5	6	-----	-----	1	12319-HA5-670	2148070
6	SPRING, VALVE LIFTER		5	6	-----	-----	1	12321-HA5-000	2016905
7	RECEIVER, DECOMPRESSION CABLE		5	6	-----	-----	1	12323-HA5-000	2016913
8	COVER, TAPPET ADJUSTING HOLE		5	6	-----	-----	2	12351-428-000	0683607
9	GASKET, TAPPET COVER		5	6	-----	-----	2	12392-428-000	0683615
10	BOLT B, OIL CONTROL, 8X28		5	6	-----	-----	2	15532-ME5-015	1416379

Ref. No.	BLOCK NO. DESCRIPTION	E-1	ATC350X'85		ATC350X'86		QTY REQ	PART NUMBER	HONDA CODE
			5	6	FROM	TO			
	11 INSULATOR, CARBURETOR		5	--	-----	-----	1	16211-HA5-003	2017655
	INSULATOR, CARBURETOR		5	--	-----	-----	1	16211-HA5-671	2148203
	INSULATOR, CARBURETOR		--	6	-----	-----	1	16211-HA7-671	2251387
	12 BAND, INSULATOR		5	6	-----	-----	1	16219-422-000	0688796
	13 CABLE COMP., DECOMPRESSION		5	--	-----	-----	1	28291-HA5-003	2031300
	CABLE COMP., DECOMPRESSION		5	--	-----	-----	1	28291-HA5-671	2148716
	CABLE COMP., DECOMPRESSION		5	6	-----	-----	1	28291-HA7-671	2251395
	14 CLIP, HIGH TENSION CORD		5	6	-----	-----	1	32975-HA5-000	2020089
	15 BOLT, FLANGE, 6X22		5	--	-----	-----	2	90004-HA0-000	1824143
			--	6	-----	5112009	2	90004-HA0-000	1824143
	BOLT, FLANGE, 6X22		--	6	5112010	-----	2	96001-06022-00	2112191
	16 BOLT, STUD, 8X40		5	--	-----	-----	4	90005-HA0-003	1842277
			--	6	-----	5112009	4	90005-HA0-003	1842277
	BOLT, STUD, 8X22		--	6	5112010	-----	4	92900-08022-0B	1411610
	17 BOLT, FLANGE, 6X52		5	6	-----	-----	3	90009-HA0-000	1834670
	18 BOLT, FLANGE, 7X72		5	6	-----	-----	2	90051-HA5-000	2023356
	19 BOLT, FLANGE, 7X145		5	--	-----	-----	2	90052-HA5-000	2023364
	BOLT, FLANGE, 7X145		5	6	-----	-----	2	90052-HA5-670	2149557
	20 BOLT, SOCKET, 10X110		5	6	-----	-----	2	90064-HA5-000	2023372
	21 NUT, FLANGE CAP, 10MM		5	--	-----	-----	2	90201-HA0-000	2049757
			--	6	-----	-----	4	90201-HA0-000	2049757
	22 NUT, FLANGE CAP, 10MM		5	--	-----	-----	2	90201-HA0-000	2049757
	NUT, FLANGE CAP, 10MM		5	--	-----	-----	2	90202-HA0-000	2049765
	23 WASHER, 10MM		5	6	-----	-----	6	90410-HA0-000	2031409
	24 WASHER, SEALING, 7MM		5	6	-----	-----	2	90441-MC0-000	1117936
	25 WASHER, SEALING, 6MM		5	6	-----	-----	1	90441-706-000	0163600
	26 WASHER, LOCK, 8MM		5	--	-----	-----	1	90443-HA5-000	2023711
	WASHER, LOCK, 8MM		--	6	-----	-----	1	90443-HA5-003	2104990
	27 WASHER C, 8MM		5	6	-----	-----	3	90475-703-000	0341917
	28 PIN, DOWEL, 5X28		5	6	-----	-----	1	91101-428-000	0687194
	29 OIL SEAL, 17X27X5		5	6	-----	-----	1	91201-428-005	0684985
	OIL SEAL, 17X27X5 (KOYO)		5	6	-----	-----	1	91202-HC5-005	2728889
	30 O-RING, 10X1.6		5	6	-----	-----	4	91301-200-000	0022673

CYLINDER HEAD



E14HA5F01

5 = ATC350X'85
6 = ATC350X'86

ATC350X'85
ATC350X'86

ENGINE SERIAL NUMBER

QTY REQ

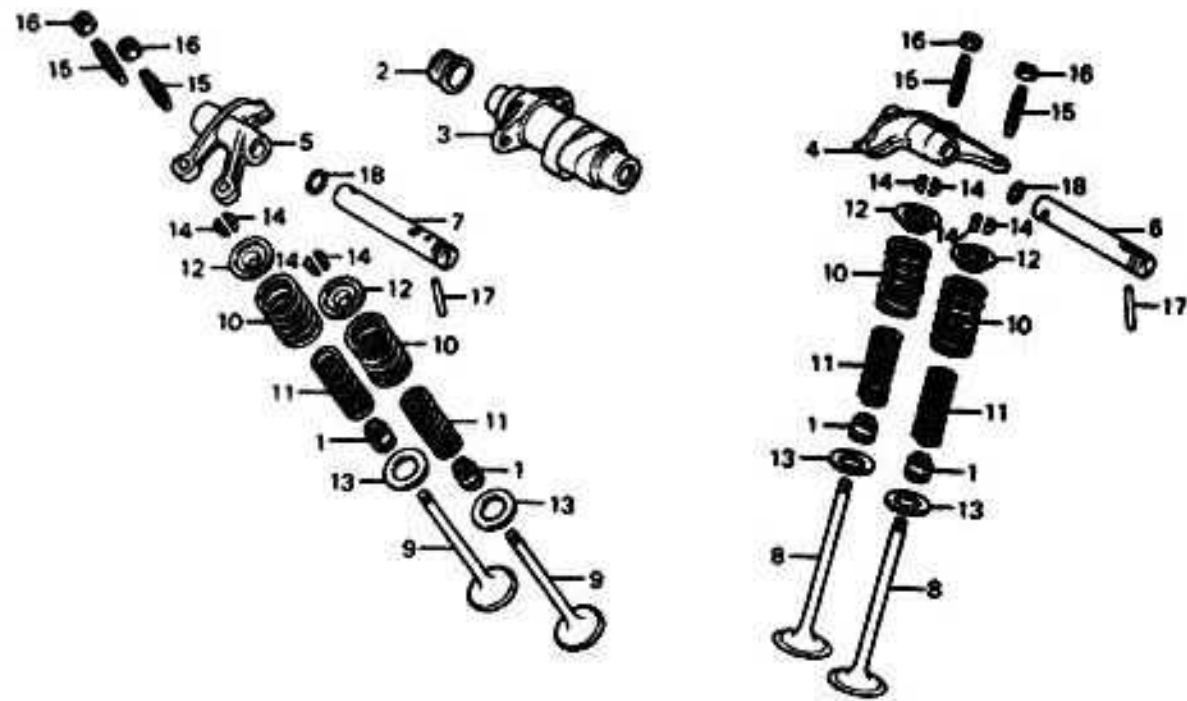
PART NUMBER

HONDA CODE

Ref. No.	BLOCK NO. DESCRIPTION	E-1	ENGINE SERIAL NUMBER		QTY REQ	PART NUMBER	HONDA CODE
			FROM	TO			
39	BOLT, FLANGE, 6X32	5	---	---	2	96001-06032-00	2106029
		--	---	5112009	2	96001-06032-00	2106029
40	BOLT, FLANGE, 6X40	5	---	---	1	96000-06040-00	0782870
		--	---	5112009	1	96000-06040-00	0782870
	BOLT, FLANGE, 6X40	5	---	---	1	96001-06040-00	2106037
		--	---	5112009	1	96001-06040-00	2106037
41	BOLT, FLANGE, 6X45	5	---	---	2	96000-06045-00	0807370
		--	---	5112009	2	96000-06045-00	0807370
	BOLT, FLANGE, 6X45	5	---	---	2	96001-06045-00	2106045
		--	---	5112009	2	96001-06045-00	2106045
42	PLUG, SPARK (DR8ES-L NGK)	5	---	---	1	98069-38716	0905331
	PLUG, SPARK (DR8ES-L)	5	---	---	1	98069-38719	4093688
	PLUG, SPARK (DR7ES NGK)	5	---	---	(1)	98069-57716	0961094
	PLUG, SPARK (DR7ES)	5	---	---	(1)	98069-57719	4093696
	PLUG, SPARK (X22ESR-U ND)	5	---	---	(1)	98069-57726	0961102
	PLUG, SPARK (DRBES NGK)	5	---	---	(1)	98069-58716	0961110
	PLUG, SPARK (DRBES)	5	---	---	(1)	98069-58719	4093704
	PLUG, SPARK (X24ESR-U ND)	5	---	---	1	98069-58726	0905554
	PLUG, SPARK (X27ESR-U ND)	5	---	---	(1)	98069-59726	0961128

Ref. No.	BLOCK NO. DESCRIPTION	E-1	ENGINE SERIAL NUMBER		QTY REQ	PART NUMBER	HONDA CODE
			FROM	TO			
	31 O-RING, 35.4X2.9		5	6	1	91305-HA5-000	2023893
	32 SCREW, PAN, 5X20		5	6	1	93500-05020-0G	0294181
	33 PIN A, DOWEL, 8X12		5	6	2	94301-08120	0069328
	34 PIN A, DOWEL, 12X20		5	6	2	94301-12200	0165324
	35 BOLT, FLANGE, 6X12		5	6	1	95700-06012-00	0487025
	BOLT, FLANGE, 6X12		5	6	1	95701-06012-00	2105799
	36 BOLT, FLANGE, 6X20		5	6	4	95700-06020-00	0488684
	BOLT, FLANGE, 6X20		5	6	4	95701-06020-00	2105815
	37 BOLT, FLANGE, 6X28		5	6	1	95700-06028-00	0483933
	BOLT, FLANGE, 6X28		5	6	1	95701-06028-00	2105849
	38 BOLT, FLANGE, 6X25		5	--	1	96000-06025-00	0782862
			--	6	1	96000-06025-00	0782862
	BOLT, FLANGE, 6X25		5	6	1	96001-06025-00	2105989
			--	6	1	96001-06025-00	2105989
	39 BOLT, FLANGE, 6X32		5	--	2	96000-06032-00	0807347
			--	6	2	96000-06032-00	0807347

CAMSHAFT • VALVE

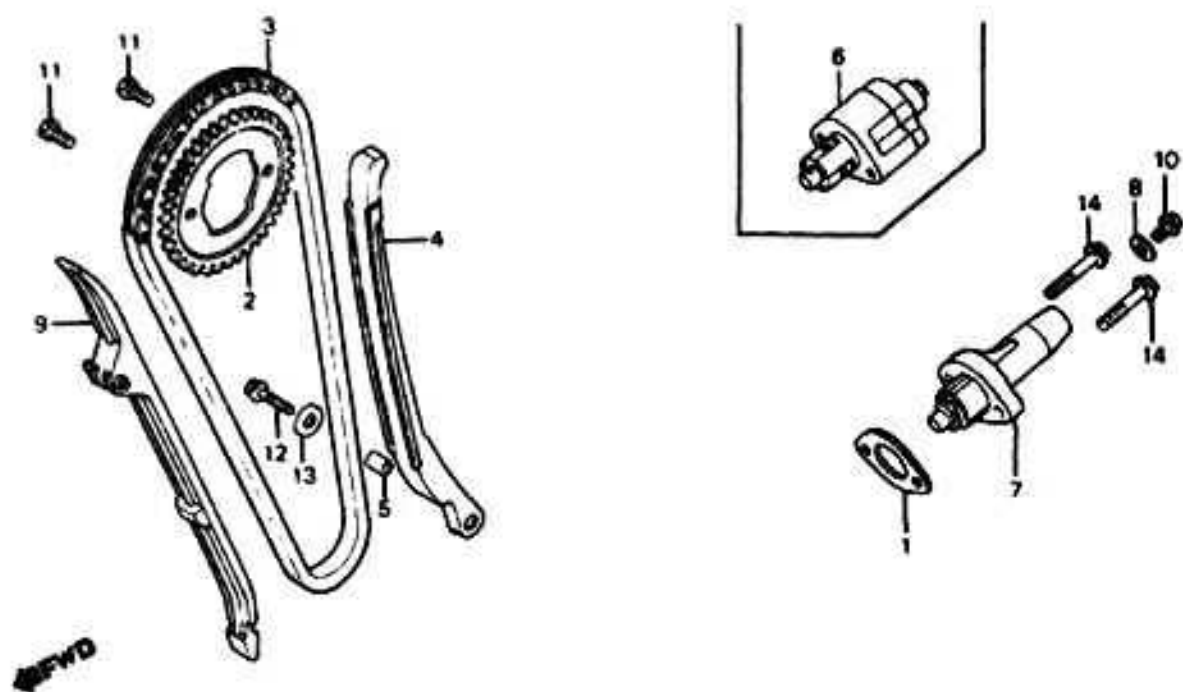


E14HA5F02

Ref. No.	BLOCK NO. DESCRIPTION	E-2	ENGINE SERIAL NUMBER		QTY REQ	PART NUMBER	HONDA CODE
			FROM	TO			
	5 = ATC350X'85 6 = ATC350X'86		ATC350X'85	ATC350X'86			
1	SEAL, VALVE STEM		5	6	4	12209-KL4-005	1777879
2	CAP, CYLINDER HEAD SIDE		5	6	1	12312-HA0-000	1819085
3	CAMSHAFT		5	6	1	14101-HA5-000	2017077
4	ARM, VALVE ROCKER		5	--	1	14431-HA5-000	2017143
	ARM, IN. VALVE ROCKER		5	6	1	14431-HA5-670	2148120
	ARM, IN. VALVE ROCKER		5	6	1	14431-HA7-670	2251361
	ARM, IN. VALVE ROCKER		5	6	1	14431-HA7-671	2495133
5	ARM, VALVE ROCKER		5	--	1	14441-HA5-000	2017150
	ARM, EX. VALVE ROCKER		5	6	1	14441-HA5-670	2148138
	ARM, EX. VALVE ROCKER		5	6	1	14441-HA7-670	2251379
	ARM, EX. VALVE ROCKER		5	6	1	14441-HA7-671	2495141
6	SHAFT, IN. ROCKER ARM		5	--	1	14455-HA5-000	2017168
	SHAFT, IN. ROCKER ARM		--	6	1	14455-HA7-670	2099505
7	SHAFT, EX. ROCKER ARM		5	--	1	14456-HA5-000	2017176
	SHAFT, EX. ROCKER ARM		--	6	1	14456-HA7-670	2099513
8	VALVE, IN.		5	6	2	14711-HA5-013	2095065

Ref. No.	BLOCK NO. DESCRIPTION	E-2	ENGINE SERIAL NUMBER		QTY REQ	PART NUMBER	HONDA CODE
			FROM	TO			
	5 = ATC350X'85 6 = ATC350X'86		ATC350X'85	ATC350X'86			
9	VALVE, EX.		5	6	2	14721-HA5-003	2017234
10	SPRING, VALVE OUTER		5	6	4	14751-HA5-003	2017259
	SPRING, VALVE OUTER		5	6	4	14751-HA5-004	2017267
11	SPRING, VALVE INNER		5	6	4	14761-HA5-003	2017275
	SPRING, VALVE INNER		5	6	4	14761-HA5-004	2017283
12	RETAINER, VALVE SPRING		5	6	4	14771-KE5-000	1819648
13	SEAT, VALVE SPRING		5	6	4	14775-KE5-000	1819655
14	COTTER, VALVE		5	6	8	14781-HA5-003	2049575
	COTTER, VALVE		5	6	8	14781-HB4-000	1416932
15	SCREW, TAPPET ADJUSTING		5	6	4	90012-415-000	0670570
16	NUT, TAPPET ADJUSTING		5	6	4	90205-300-000	0189035
	NUT, TAPPET ADJUSTING		5	6	4	90206-250-000	0040139
17	PIN, DOWEL, 5X38		5	6	2	91102-HA0-000	1824804
18	O-RING, 7.7X2.5		5	6	2	91303-428-003	0685016

CAM CHAIN • TENSIONER

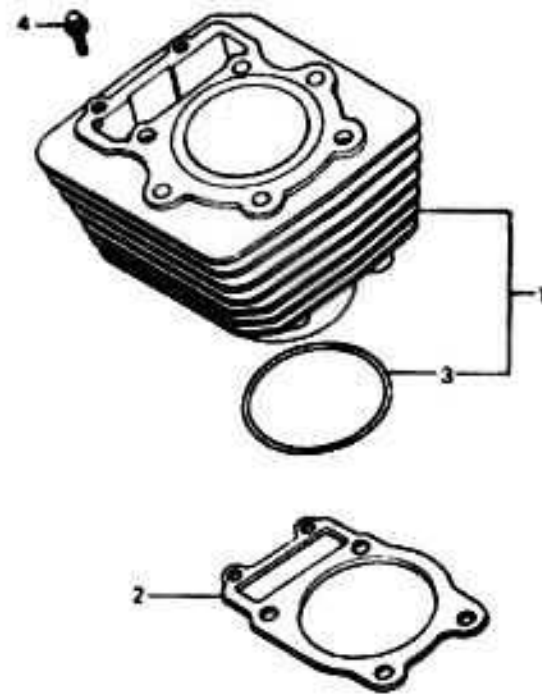


E14HA5F03

Ref. No.	BLOCK NO. DESCRIPTION	E-3	ENGINE SERIAL NUMBER		QTY REQ	PART NUMBER	HONDA CODE
			ATC350X85	ATC350X86			
5 = ATC350X'85 6 = ATC350X'86							
1	GASKET, TENSIONER HOLE		5	6	1	12194-HA0-000	1819051
2	SPROCKET, CAM (38T)		5	---	1	14321-HA0-000	1819473
	SPROCKET, CAM (38T)		5	6	1	14321-HA0-010	2087229
3	CHAIN, CAM (SC-0412H-114)		5	---	1	14401-HA5-003	2017135
	CHAIN, CAM (75-010M-114)		5	6	1	14401-HA7-671	2099497
4	TENSIONER, CAM CHAIN		5	6	1	14511-HA5-000	2017192
5	COLLAR, TENSIONER, 6X9		5	6	1	14515-KF0-000	1417070
6	LIFTER ASSY., TENSIONER		5	---	1	14520-HA6-000	1840636
7	LIFTER ASSY., TENSIONER		---	6	1	14520-HA7-671	2148146
8	GASKET, TENSIONER		---	6	1	14525-HA7-670	2111029
9	GUIDE, CAM CHAIN		5	6	1	14620-HA5-000	2017218
10	BOLT, FLANGE, 6X13		---	6	1	90002-HA7-670	2112019
11	BOLT, FLANGE KNOCK, 7X10.5		5	6	2	90082-HA0-000	1824291
12	BOLT, FLANGE, 6X25		5	---	1	90088-KF0-000	1417104
	BOLT, FLANGE, 6X25		---	6	1	95800-06025-00	1876051
	BOLT, FLANGE, 6X25		---	6	1	95801-06025-00	2105906

Ref. No.	BLOCK NO. DESCRIPTION	E-3	ENGINE SERIAL NUMBER		QTY REQ	PART NUMBER	HONDA CODE
			ATC350X85	ATC350X86			
5 = ATC350X'85 6 = ATC350X'86							
13	WASHER, DRUM STOPPER		5	6	1	90417-360-000	0341099
14	BOLT, FLANGE, 6X45		5	---	2	96000-06045-00	0807370
			---	6	2	96000-06045-00	0807370
	BOLT, FLANGE, 6X45		5	6	2	96001-06045-00	2106045
			---	6	2	96001-06045-00	2106045

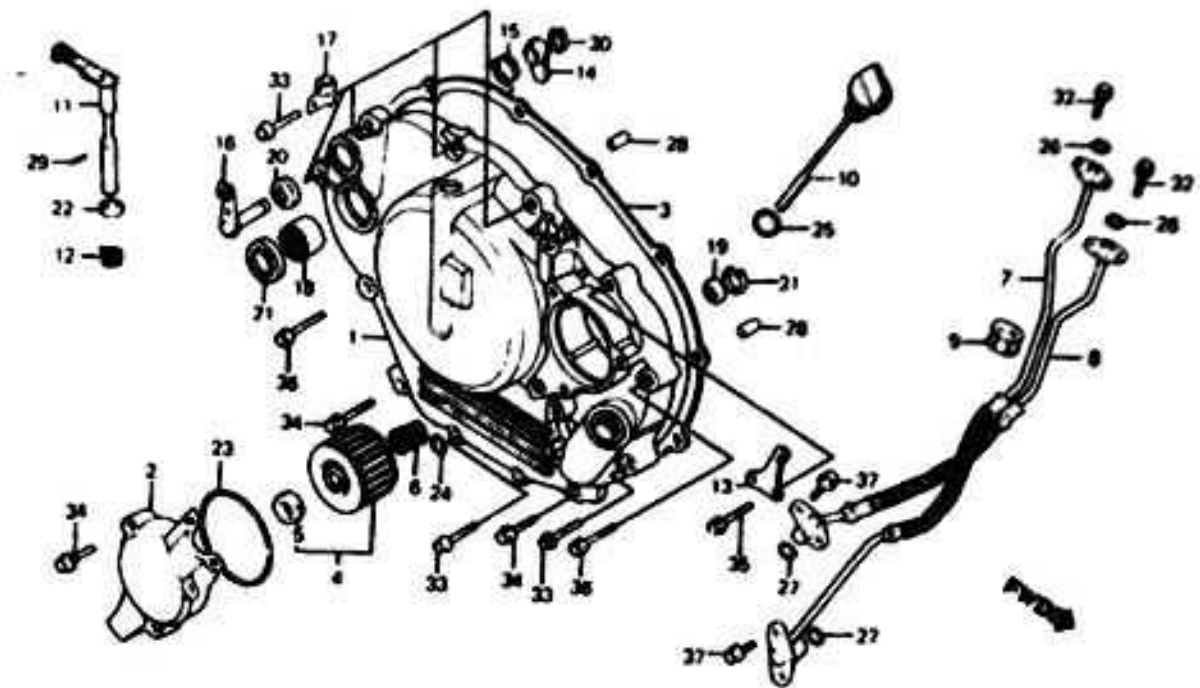
CYLINDER



E14HA5F04

Ref. No.	BLOCK NO. DESCRIPTION	E-4	ENGINE SERIAL NUMBER		QTY REQ	PART NUMBER	HONDA CODE
			ATC350X'85	ATC350X'86			
	5 = ATC350X'85 6 = ATC350X'86						
1	CYLINDER COMP.	5	---	---	1	12100-HA5-000	2016798
	CYLINDER COMP.	---	6	---	1	12100-HA7-670	2099364
2	GASKET, CYLINDER	5	6	---	1	12191-HA5-000	2016806
3	O-RING, 85.3X2	5	6	---	1	91302-HA5-003	2023877
4	BOLT, FLANGE, 6X28	5	6	---	2	96000-06028-00	0799072
	BOLT, FLANGE, 6X28	5	6	---	2	96001-06028-00	2106003

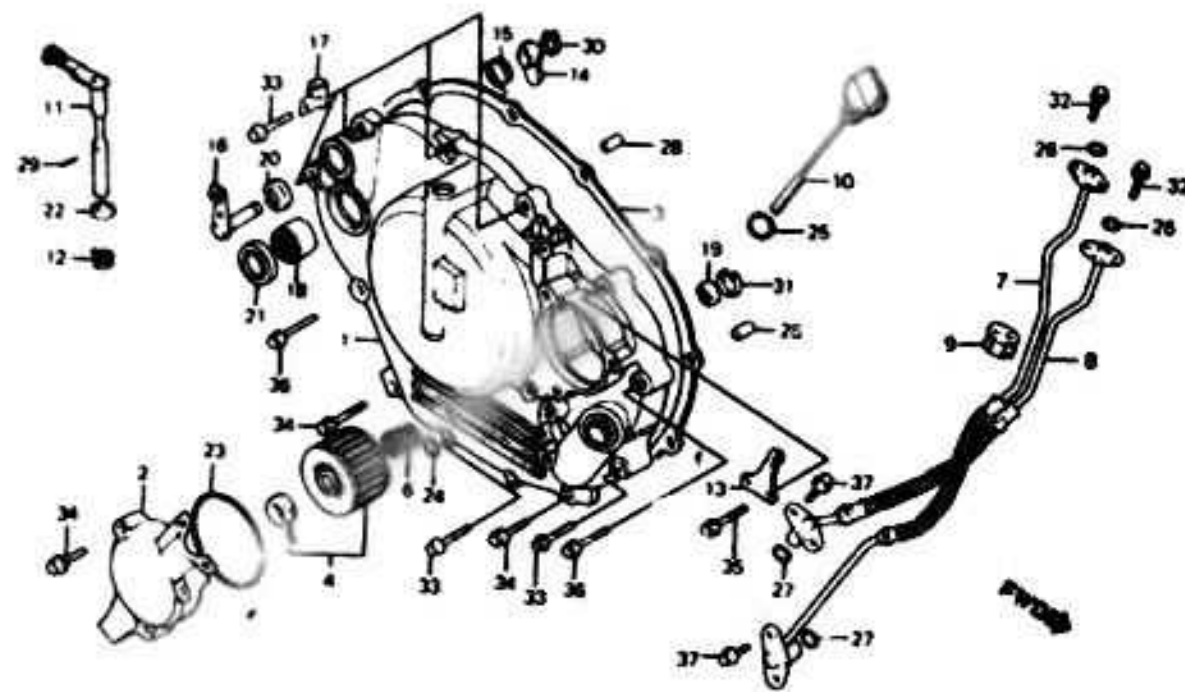
RIGHT CRANKCASE COVER



E14HA5F05

Ref. No.	BLOCK NO. DESCRIPTION	E-5	ENGINE SERIAL NUMBER		QTY REQ	PART NUMBER	HONDA CODE
			ATC350X'85	ATC350X'86			
	5 = ATC350X'85 6 = ATC350X'86						
1	COVER COMP., R. CRANKCASE	5	---	---	1	11330-HA5-000	2016665
	COVER COMP., R. CRANKCASE	5	6	---	1	11330-HA5-670	2148013
2	COVER, OIL FILTER	5	---	---	1	11333-HA5-000	2016681
	COVER COMP., OIL FILTER	5	6	---	1	11333-HA5-670	2148021
3	GASKET, R. CRANKCASE COVER	5	6	---	1	11394-HA0-000	1819002
	GASKET, R. CRANKCASE COVER	---	6	---	1	11394-HA8-000	1975630
4	ELEMENT, OIL FILTER	5	6	---	1	15410-KF0-305	3224896
	ELEMENT, OIL FILTER	5	6	---	1	15410-KF0-315	4082251
	ELEMENT, OIL FILTER	5	6	---	1	15412-KF0-010	1761378
5	RUBBER, FILTER	5	6	---	1	15413-MC8-000	1233907
6	SPRING, OIL FILTER ELEMENT SETTING	5	6	---	1	15414-KF0-000	1417229
7	HOSE COMP. A, OIL	5	---	---	1	15515-HA5-000	2017366
	HOSE COMP. A, OIL	5	---	---	1	15515-HA5-003	2061406
	HOSE COMP. A, OIL	5	6	---	1	15515-HA5-671	2148161
8	HOSE COMP. B, OIL	5	---	---	1	15517-HA5-003	2061414

RIGHT CRANKCASE COVER

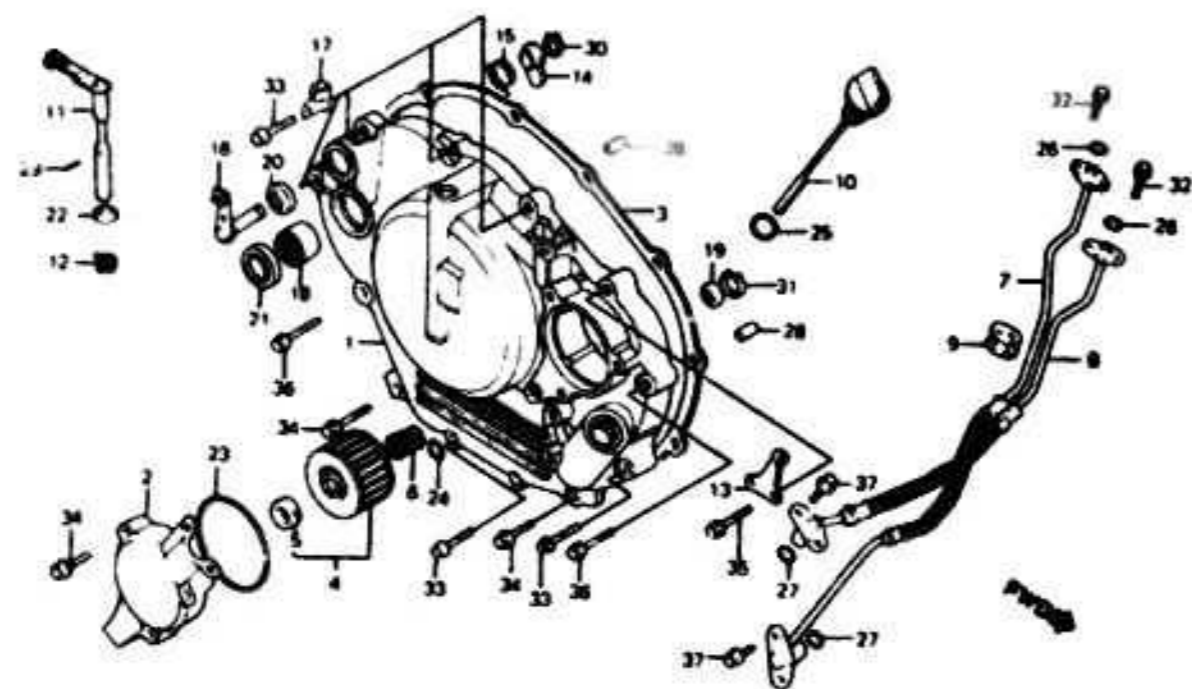


E14HA5F05

Ref. No.	BLOCK NO. DESCRIPTION	ENGINE SERIAL NUMBER		QTY REQ	PART NUMBER	HONDA CODE
		FROM	TO			
5 = ATC350X85 6 = ATC350X86		ATC350X85	ATC350X86			
8	HOSE COMP. B, OIL	5	6	1	15517-HA5-671	2148179
9	RUBBER, OIL HOSE MOUNTING	5	6	1	15519-HA5-000	2017382
10	GAUGE, OIL LEVEL	5	6	1	15650-HA5-000	2017424
11	LEVER COMP., CLUTCH	5	--	1	22810-HA5-000	2019032
	LEVER COMP., CLUTCH	--	6	1	22810-HA5-670	2148385
12	SPRING, CLUTCH LEVER	5	6	1	22815-HA5-000	2019057
13	HOLDER, CLUTCH WIRE	5	--	1	22838-HA5-000	2019065
14	FOLLOWER, CAM	5	6	1	28271-427-000	0711986
15	SPRING, FOLLOWER	5	6	1	28274-HA5-000	2019628
16	SHAFT COMP., FOLLOWER	5	6	1	28280-HA5-000	2019636
17	RECEIVER B, DECOMPRESSION	5	6	1	28287-HA5-000	2019644
18	BEARING, NEEDLE, 20X26X12	5	6	1	91106-KF0-008	1548635
19	OIL SEAL, 14X22X5 (ARAI)	5	6	1	91201-KF0-003	1491646
	OIL SEAL, 14X22X5 (NOK)	5	6	1	91201-KF0-004	1555606
	OIL SEAL, 14X22X5	5	6	1	91201-KF0-005	1458207
20	OIL SEAL, 12X22X5 (ARAI)	5	--	1	91203-MC8-003	1258797

Ref. No.	BLOCK NO. DESCRIPTION	ENGINE SERIAL NUMBER		QTY REQ	PART NUMBER	HONDA CODE
		FROM	TO			
5 = ATC350X85 6 = ATC350X86		ATC350X85	ATC350X86			
20	OIL SEAL, 12X22X5	5	6	1	91201-965-000	1404771
		5	--	1	91201-965-000	1404771
					5014558	
21	OIL SEAL, 20X28X5	5	6	1	91204-KF0-003	1824838
22	OIL SEAL, 12X18X5 (ARAI)	5	6	1	91204-KK0-003	1747773
23	O-RING, 54X2.4	5	6	1	91302-KF0-003	1490952
24	O-RING, 1.9X11	5	6	1	91301-671-671	0794099
	O-RING, 11X1.9 (ARAI)	5	6	1	91303-HA0-000	1824937
	O-RING, 11X1.9 (ARAI)	5	6	1	91303-HA0-003	1842376
	O-RING, 11X1.9 (NOK)	5	6	1	91303-HA0-004	1842384
25	O-RING, 18X3 (ARAI)	5	6	1	91307-KF0-003	1761766
26	O-RING, 9.6X2.4	5	6	2	91308-HA5-003	2028843
27	O-RING, 11.8X2.4	5	--	2	91320-HA5-000	2028850
	O-RING, 11.8X2.4	5	--	2	91320-HA5-003	2066090
		5	6	2	91320-HA5-003	2066090
	O-RING, 11.8X2.4	5	6	2	91302-ZE9-000	2280014
		5	--	2	91302-ZE9-000	2280014
	O-RING, 11.8X2.4	5	6	2	91302-ZE9-003	2461705
		5	--	2	91302-ZE9-003	2461705
	O-RING, 11.8X2.4	5	6	2	91320-MJ6-003	2023935
		5	--	2	91320-MJ6-003	2023935
					5019594	
28	PIN A, DOWEL, 8X14	5	6	2	94301-08140	0069310
29	PIN, SPRING, 3X10	5	6	1	94305-30102	0328831
30	CIRCLIP, EXTERNAL, 10MM	5	6	1	94510-10000	0156992
31	CIRCLIP, INTERNAL, 24MM	5	6	1	94520-24000	0112599
32	BOLT, FLANGE, 6X28	5	6	4	95700-06028-00	0483933
	BOLT, FLANGE, 6X28	5	6	4	95701-06028-00	2105849
33	BOLT, FLANGE, 6X28	5	6	7	96000-06028-00	0799072
	BOLT, FLANGE, 6X28	5	6	7	96001-06028-00	2106003
34	BOLT, FLANGE, 6X32	5	--	5	96000-06032-00	0807347
		--	6	5	96000-06032-00	0807347
					5112009	
	BOLT, FLANGE, 6X32	5	6	5	96001-06032-00	2106029
		--	6	5	96001-06032-00	2106029
					5112009	
35	BOLT, FLANGE, 6X35	5	6	1	96000-06035-00	0799080
	BOLT, FLANGE, 6X35	5	6	1	96001-06035-00	2112209
36	BOLT, FLANGE, 6X40	5	6	2	96000-06040-00	0782870

RIGHT CRANKCASE COVER

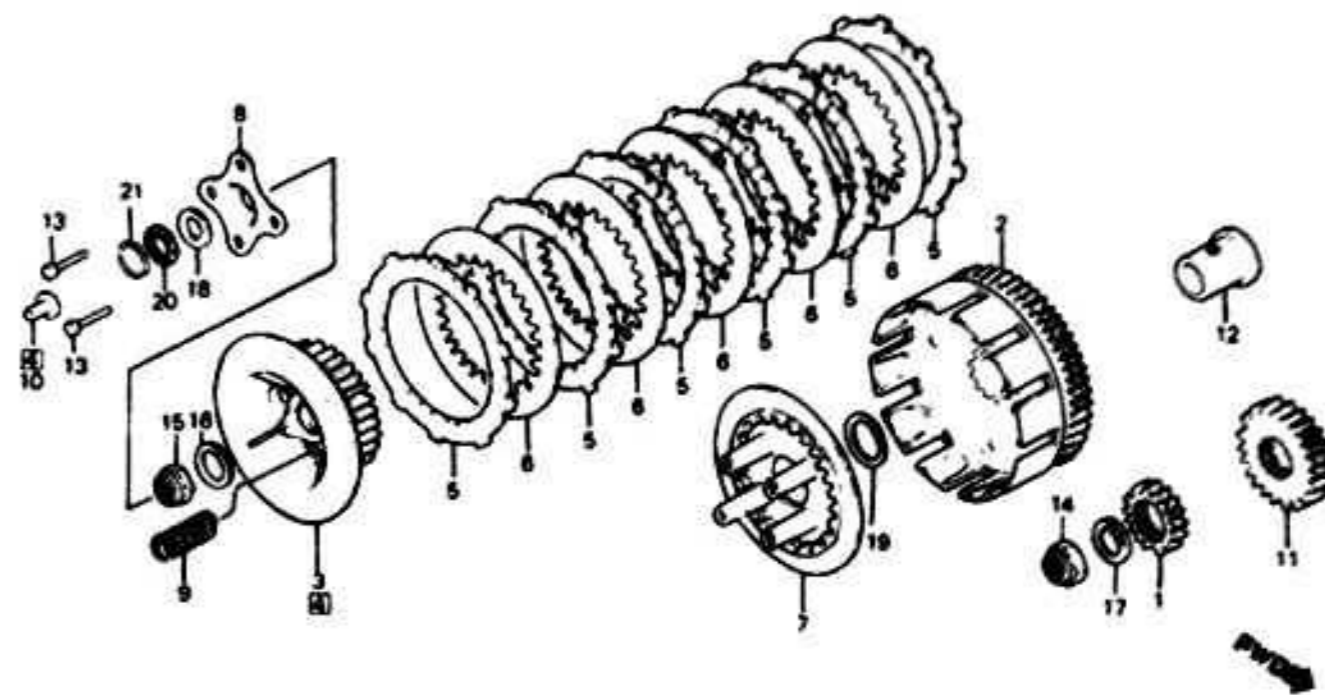


E14HA5F05

5 = ATC350X'85
6 = ATC350X'86

Ref. No.	BLOCK NO. DESCRIPTION	E-5	ENGINE SERIAL NUMBER		QTY REQ	PART NUMBER	HONDA CODE
			ATC350X'85 5	ATC350X'86 6			
	36 BOLT, FLANGE, 6X40		5	6	2	96001-06040-00	2106037
	37 BOLT, FLANGE, 6X16		5	6	4	96300-06016-00	1829886

CLUTCH

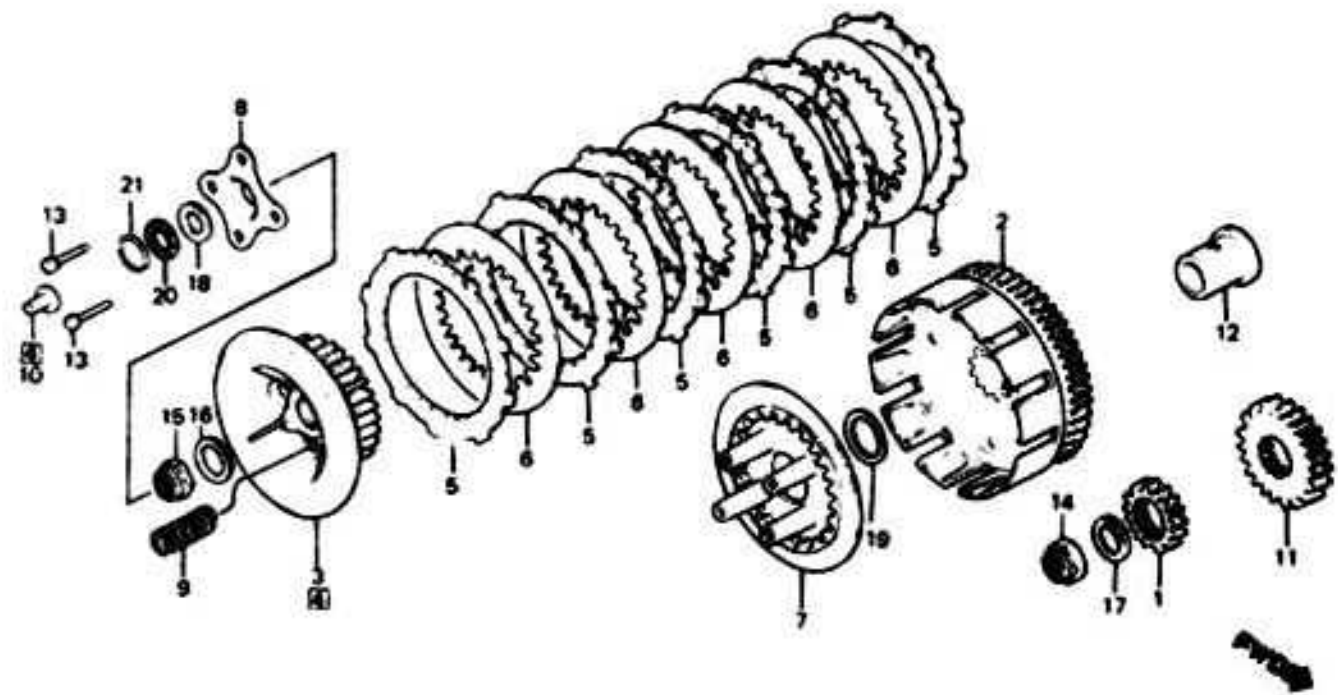


E14HA5F06

5 = ATC350X'85
6 = ATC350X'86

Ref. No.	BLOCK NO. DESCRIPTION	E-6	ENGINE SERIAL NUMBER		QTY REQ	PART NUMBER	HONDA CODE
			ATC350X'85 5	ATC350X'86 6			
	1 GEAR, OIL PUMP DRIVE (17T)		5	6	1	15130-KF0-000	1417393
	2 OUTER COMP., CLUTCH		5	6	1	22100-HA5-000	2018992
	OUTER COMP., CLUTCH		5	6	1	22100-HA5-010	2516144
	3 CENTER COMP., CLUTCH		5		1	22120-KF0-010	1554625
	CENTER COMP., CLUTCH			6	1	22120-KF0-010	1554625
	CENTER COMP., CLUTCH		5		1	22120-KN5-670	2935989
	CENTER COMP., CLUTCH			6	1	22120-KN5-670	2935989
	CENTER COMP., CLUTCH			6	1	22120-HA5-670	2418259
	4 PIN SET, CLUTCH LIFTER		5		(1)	22130-HA5-305	2418234
	4 PIN SET, CLUTCH LIFTER			6	(1)	22130-HA5-305	2418234
	5 DISK, CLUTCH FRICTION		5	6	6	22201-HA5-670	2301539
	DISK, CLUTCH FRICTION		5	6	6	22201-KAE-000	3754421
	DISK, CLUTCH FRICTION		5	6	6	22201-KA3-712	1416429
	6 PLATE, CLUTCH		5	6	5	22321-KF0-000	1417435
	PLATE, CLUTCH		5	6	5	22321-KF0-770	2448538
	7 PLATE, CLUTCH PRESSURE		5	6	1	22350-KF0-000	1417443
	PLATE, CLUTCH PRESSURE		5	6	1	22350-KW3-000	2906733

CLUTCH

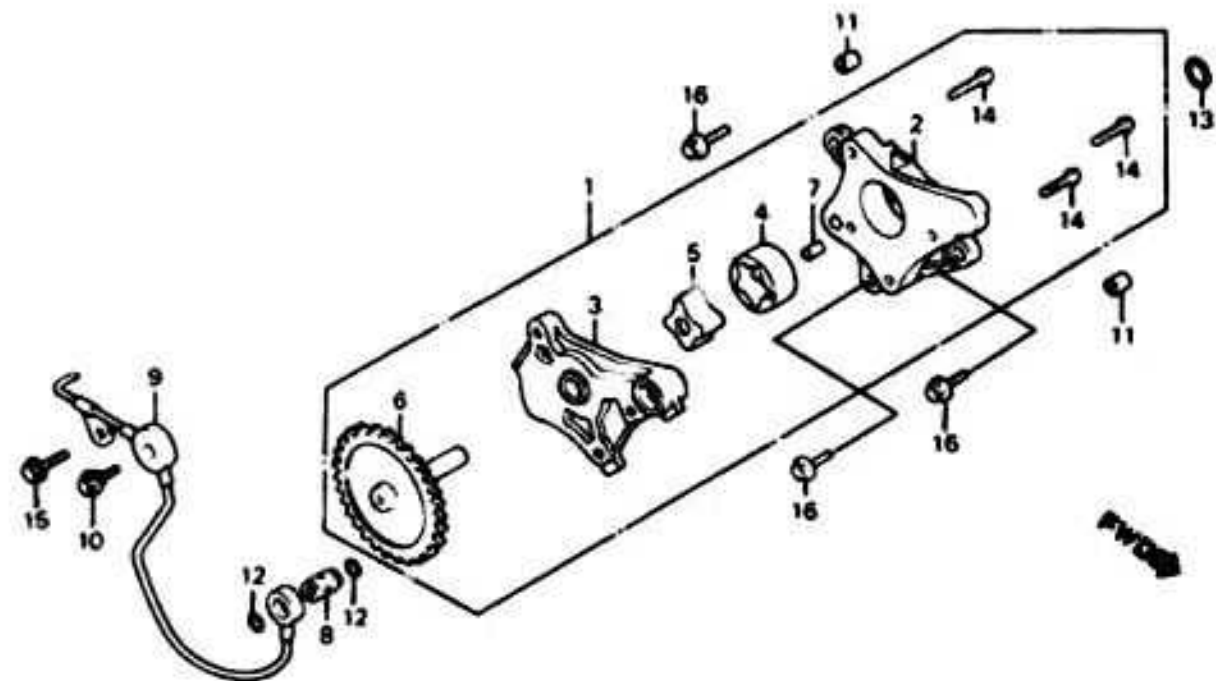


E14HASF06

Ref. No.	BLOCK NO DESCRIPTION	ENGINE SERIAL NUMBER		QTY REQ	PART NUMBER	HONDA CODE
		FROM	TO			
8	PLATE, CLUTCH LIFTER	5	6	1	22361-KF0-000	1417450
9	SPRING, CLUTCH	5	6	4	22401-HA5-003	2028397
10	PIN, CLUTCH LIFTER	5	---	1	22820-KF0-000	1417476
	PIN, CLUTCH LIFTER	---	6	1	22820-KF0-000	1417476
	PIN, CLUTCH LIFTER	---	6	1	22820-HA5-670	2418242
11	GEAR, PRIMARY DRIVE (24T)	5	6	1	23121-HA5-000	2019099
12	BUSH, 22MM	5	6	1	23213-HA5-000	2019115
13	BOLT, HEX., 6X28	5	6	4	90001-HA5-000	2031383
14	NUT, LOCK, 20MM	5	---	1	90235-HA5-000	2023620
	NUT, LOCK, 20MM	5	6	1	90235-HA5-670	2149631
15	NUT, LOCK, 18MM	5	6	1	90236-HA0-000	2023638
16	WASHER, 18MM	5	6	1	90432-KE5-000	2023703
17	WASHER, SPRING, 20MM	5	6	1	90432-426-000	1824515
18	WASHER, THRUST, 12MM (TOYO)	5	6	1	90452-147-003	0465575
19	WASHER, THRUST, 22X45X0.8	5	6	1	90458-KE8-000	1555531
20	BEARING, NEEDLE, 12MM	5	6	1	91001-147-003	1089549

Ref. No.	BLOCK NO DESCRIPTION	ENGINE SERIAL NUMBER		QTY REQ	PART NUMBER	HONDA CODE
		FROM	TO			
20	BEARING, NEEDLE, 12MM (TOMSON)	5	6	1	91001-147-006	0465625
21	CLIP, NEEDLE THRUST BEARING, 12MM	5	6	1	91012-KF0-000	1417526

OIL PUMP

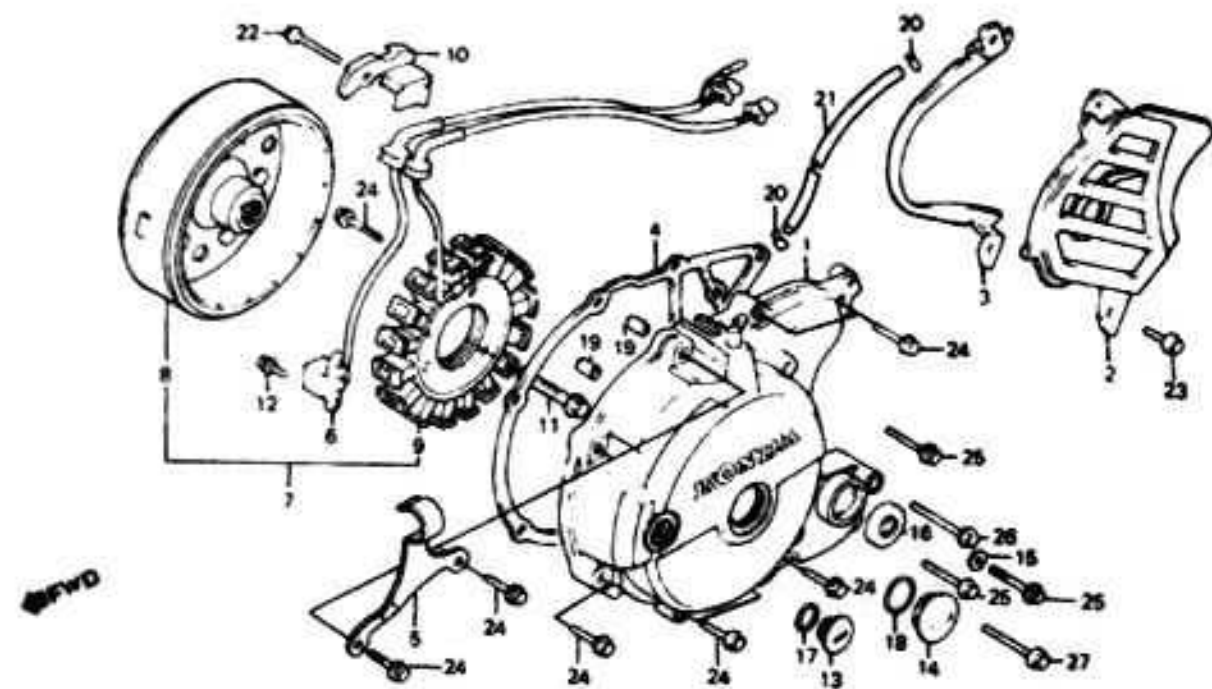


E14HA5F07

Ref. No.	BLOCK NO. DESCRIPTION	ATC350X		ENGINE SERIAL NUMBER		QTY REQ	PART NUMBER	HONDA CODE
		85	86	FROM	TO			
	5 = ATC350X'85 6 = ATC350X'86							
1	PUMP ASSY., OIL	5	6	-----	-----	1	15100-HA5-000	2017309
2	BODY, OIL PUMP	5	6	-----	-----	1	15111-HA5-000	2017325
3	COVER, OIL PUMP	5	6	-----	-----	1	15121-HA5-000	2017333
4	ROTOR, OIL PUMP OUTER	5	6	-----	-----	1	15122-429-000	0784819
5	ROTOR, OIL PUMP INNER	5	6	-----	-----	1	15123-429-000	0784827
6	GEAR, OIL PUMP DRIVEN	5	6	-----	-----	1	15140-HA5-000	2017341
7	ROLLER, 6X8	5	6	-----	-----	1	15141-KF0-000	1417617
8	PIN, DOWEL, 10X18	5	6	-----	-----	1	15142-KF0-000	1417625
9	PIPE COMP., OIL	5	6	-----	-----	1	15510-HA5-000	2017358
10	BOLT, FLANGE, 7X18.5	5	6	-----	-----	1	15532-HA0-000	1819713
11	PIN, DOWEL, 8X10	5	6	-----	-----	2	91103-429-000	0787416
12	O-RING, 10X2	5	6	-----	-----	2	91304-HA5-003	2028835
13	O-RING, 17.0X2.5 (ARAI)	5	6	-----	-----	1	91333-KE5-003	1873231
14	SCREW, PAN, 5X22	5	6	-----	-----	3	93500-05022-0A	0171801
15	BOLT, FLANGE, 6X12	5	6	-----	-----	1	95700-06012-00	0487025
	BOLT, FLANGE, 6X12	5	6	-----	-----	1	95701-06012-00	2105799

Ref. No.	BLOCK NO. DESCRIPTION	ATC350X		ENGINE SERIAL NUMBER		QTY REQ	PART NUMBER	HONDA CODE
		85	86	FROM	TO			
	5 = ATC350X'85 6 = ATC350X'86							
	16 BOLT, FLANGE, 6X22	5	6	-----	5112009	3	95700-06022-00	0483925
	BOLT, FLANGE, 6X22	5	6	-----	5112009	3	95701-06022-00	2105823

LEFT CRANKCASE COVER

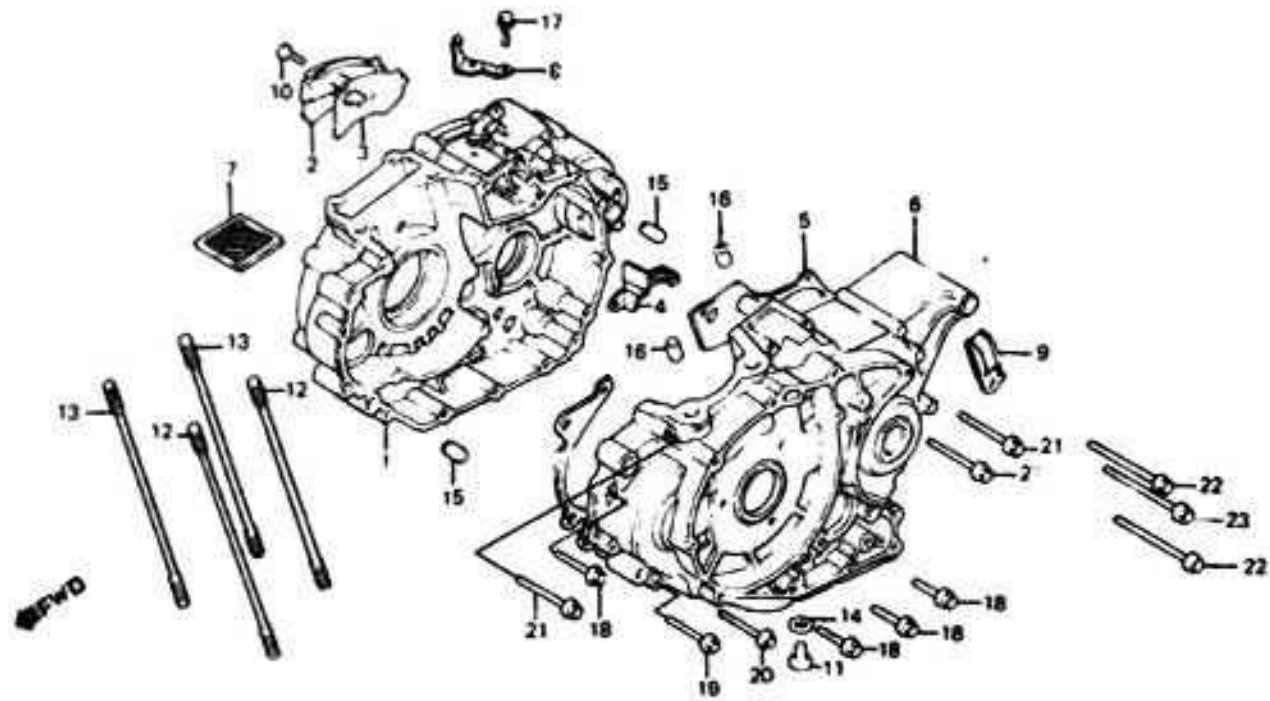


E14HASF08

Ref. No.	BLOCK NO. DESCRIPTION	E-8	ENGINE SERIAL NUMBER		QTY REQ	PART NUMBER	HONDA CODE
			FROM	TO			
5 = ATC350X'85 6 = ATC350X'86			ATC350X'85	ATC350X'86			
1	COVER, L. CRANKCASE		5	---	1	11341-HA5-000	2016715
	COVER, L. CRANKCASE		5	6	1	11341-HA5-670	2148039
2	COVER, L. CRANKCASE RR.		5	---	1	11351-HA5-000	2016731
	COVER, L. CRANKCASE RR.		5	6	1	11351-HA5-670	2148047
3	GUIDE, DRIVE CHAIN		5	6	1	11352-HA5-000	2016749
4	GASKET, L. CRANKCASE COVER		5	6	1	11395-HA5-000	2016772
5	CLAMPER, CLUTCH WIRE		---	6	1	22839-HA5-670	2148401
6	ALTERNATOR ASSY., PULSE		5	6	1	30300-HA5-000	2019685
7	ALTERNATOR ASSY.		5	6	1	31100-HA5-003	2019826
	ALTERNATOR ASSY., FLYWHEEL TYPE		5	6	1	31100-HA5-004	2019834
8	FLYWHEEL COMP.		5	6	1	31110-HA5-003	2019883
	FLYWHEEL COMP.		5	6	1	31110-HA5-004	2019891
9	STATOR COMP.		5	6	1	31120-HA5-003	2019933
	STATOR COMP.		5	6	1	31120-HA5-004	2019941
10	CLAMP, CORD		5	6	1	32111-HA5-000	2049666
11	BOLT, FLANGE, 12X40		5	---	1	90023-428-000	0684803

Ref. No.	BLOCK NO. DESCRIPTION	E-8	ENGINE SERIAL NUMBER		QTY REQ	PART NUMBER	HONDA CODE
			FROM	TO			
5 = ATC350X'85 6 = ATC350X'86			ATC350X'85	ATC350X'86			
11	BOLT, FLANGE, 12X45		5	6	1	90023-HA7-670	2104685
12	SCREW-WASHER, 5X14		5	---	2	90049-ME5-000	1377597
	S'REW-WASHER, 5X14		5	6	2	93892-05014-08	0660720
13	CAP, ALTERNATOR		5	6	1	90084-428-000	0684845
	CAP, ALTERNATOR		5	6	1	90084-471-000	1223577
14	CAP, 30MM		5	6	1	90087-428-000	0684852
15	WASHER, SEALING, 6MM		---	6	1	90441-706-000	0163600
16	OIL SEAL, 13X28X7 (ARAI)		5	6	1	91201-HA0-003	1824820
	OIL SEAL, 13X28X7 (NOK)		5	6	1	91201-HA0-004	1875822
	OIL SEAL, 13X28X7 (KOYO)		5	6	1	91203-HC4-005	2728897
17	O-RING, 13.8X2.5		5	6	1	91303-MG7-003	2995447
	O-RING, 13.8X2.5		5	6	1	91303-377-000	0499525
	O-RING, 13.8X2.5		5	6	1	91303-426-000	1113372
18	O-RING, 27X2.0		5	6	1	91305-KF0-003	1761741
19	PIN A, DOWEL, 8X14		5	6	2	94301-08140	0069310
20	CLIP, TUBE, B10		5	6	2	95002-02100	0250985
21	TUBE, 5.3X285 (BULK HOSE: 95005-55008-10M)		5	6	1	95005-55285-10	2028926
22	BOLT, FLANGE, 6X12		5	---	1	96000-06012-00	0823666
	BOLT, FLANGE, 6X12		5	6	1	96001-06012-00	2105930
23	BOLT, FLANGE, 6X14		5	---	2	96000-06014-00	0782854
	BOLT, FLANGE, 6X14		---	6	2	96000-06014-00	0782854
	BOLT, FLANGE, 6X14		5	6	2	96001-06014-00	2154672
	BOLT, FLANGE, 6X14		---	6	2	96001-06014-00	2154672
24	BOLT, FLANGE, 6X28		5	6	11	96000-06028-00	0799072
	BOLT, FLANGE, 6X28		5	6	11	96001-06028-00	2106003
25	BOLT, FLANGE, 6X40		5	6	3	96000-06040-00	0782870
	BOLT, FLANGE, 6X40		5	6	3	96001-06040-00	2106037
26	BOLT, FLANGE, 6X50		5	---	1	96000-06050-00	0807388
	BOLT, FLANGE, 6X50		---	6	1	96000-06050-00	0807388
	BOLT, FLANGE, 6X50		5	6	1	96001-06050-00	2106052
	BOLT, FLANGE, 6X50		---	6	1	96001-06050-00	2106052
27	BOLT, FLANGE, 6X55		5	6	1	96000-06055-00	0807396
	BOLT, FLANGE, 6X55		5	6	1	96001-06055-00	2112217

CRANKCASE

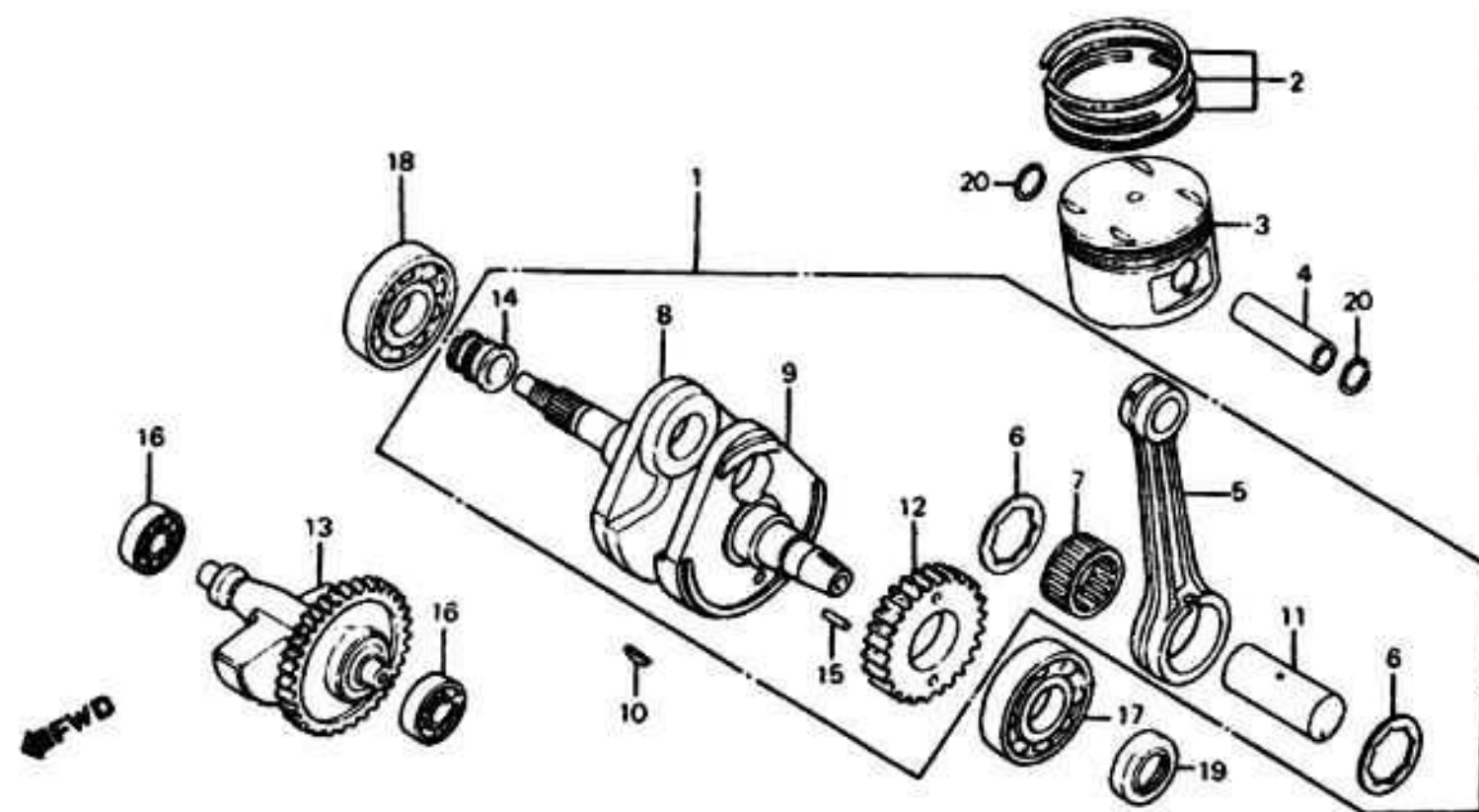


E14HA5F09

5 = ATC350X'85 6 = ATC350X'86		ATC 350X 85	ATC 350X 86	ENGINE SERIAL NUMBER	QTY REQ	PART NUMBER	HONDA CODE
Ref. No.	BLOCK NO. DESCRIPTION	5	6				
1	CRANKCASE COMP., R.	5	--	-----	1	11100-HA5-000	2016608
	CRANKCASE COMP., R.	--	6	-----	1	11100-HA5-670	2147981
2	PLATE, BREATHER	5	6	-----	1	11104-HA5-000	2016616
3	GASKET, BREATHER PLATE	5	6	-----	1	11105-HA5-000	2016624
4	CLAMP B, BREATHER TUBE	--	6	-----	1	11107-HA5-670	2147999
5	GASKET, CRANKCASE	5	6	-----	1	11191-HA5-000	2016632
6	CRANKCASE COMP., L.	5	--	-----	1	11200-HA5-000	2016640
	CRANKCASE COMP., L.	5	6	-----	1	11200-HA5-670	2148005
7	SCREEN, OIL FILTER	5	6	-----	1	15421-428-000	0684050
8	HOLDER, CLUTCH WIRE	--	6	-----	1	22838-HA5-670	2148393
9	CLAMP, ALTERNATOR CORD	5	6	-----	1	32922-HA5-000	2020071
10	BOLT, SOCKET, 6X12	5	--	-----	1	90003-HA0-000	1824135
	BOLT, SOCKET, 6X12	--	6	-----	1	90003-HA0-003	1974567
11	BOLT, SPECIAL, 12MM	5	6	-----	1	90015-HA5-000	2023315
12	BOLT, STUD, 10X175	5	6	-----	2	90031-HA5-000	2023331
13	BOLT, STUD, 10X195	5	6	-----	2	90032-HA5-000	2023349

5 = ATC350X'85 6 = ATC350X'86		ATC 350X 85	ATC 350X 86	ENGINE SERIAL NUMBER	QTY REQ	PART NUMBER	HONDA CODE
Ref. No.	BLOCK NO. DESCRIPTION	5	6				
14	WASHER, DRAIN PLUG, 12MM	5	6	-----	1	94109-12000	0171868
15	PIN A, DOWEL, 10X16	5	6	-----	2	94301-10160	0058206
16	PIN A, DOWEL, 12X20	5	6	-----	2	94301-12200	0165324
17	BOLT, FLANGE, 6X16	--	6	-----	2	95700-06016-00	0496653
	BOLT, FLANGE, 6X16	--	6	-----	2	95701-06016-00	2410892
18	BOLT, FLANGE, 6X35	5	6	-----	4	96000-06035-00	0199080
	BOLT, FLANGE, 6X35	5	6	-----	4	96001-06035-00	2112209
19	BOLT, FLANGE, 6X40	5	6	-----	1	96000-06040-00	0782870
	BOLT, FLANGE, 6X40	5	6	-----	1	96001-06040-00	2106037
20	BOLT, FLANGE, 6X50	5	--	-----	1	96000-06050-00	0807388
	BOLT, FLANGE, 6X50	--	6	-----	1	96000-06050-00	0807388
	BOLT, FLANGE, 6X50	5	6	-----	1	96001-06050-00	2106052
	BOLT, FLANGE, 6X50	--	6	-----	1	96001-06050-00	2106052
21	BOLT, FLANGE, 6X60	5	--	-----	3	96000-06060-00	0927244
	BOLT, FLANGE, 6X60	--	6	-----	3	96000-06060-00	0927244
	BOLT, FLANGE, 6X60	5	6	-----	3	96001-06060-00	2112225
	BOLT, FLANGE, 6X60	--	6	-----	3	96001-06060-00	2112225
22	BOLT, FLANGE, 6X80	5	--	-----	2	96000-06080-00	0799098
	BOLT, FLANGE, 6X80	--	6	-----	2	96000-06080-00	0799098
	BOLT, FLANGE, 6X80	5	--	-----	2	96000-06080-07	1593755
	BOLT, FLANGE, 6X80	--	6	-----	2	96000-06080-07	1593755
	BOLT, FLANGE, 6X80	5	--	-----	2	96001-06080-07	2479681
	BOLT, FLANGE, 6X80	--	6	-----	2	96001-06080-07	2479681
	BOLT, FLANGE, 6X80	--	6	5112010	2	96001-06080-00	2112241
23	BOLT, FLANGE, 6X90	5	--	-----	1	96000-06090-00	1411529
	BOLT, FLANGE, 6X90	--	6	-----	1	96000-06090-00	1411529
	BOLT, FLANGE, 6X90	5	6	-----	1	96001-06090-00	2112258
	BOLT, FLANGE, 6X90	--	6	-----	1	96001-06090-00	2112258

CRANKSHAFT • PISTON



Selection table of connecting rod large end bearing
(Radial clearance 6~13μm)

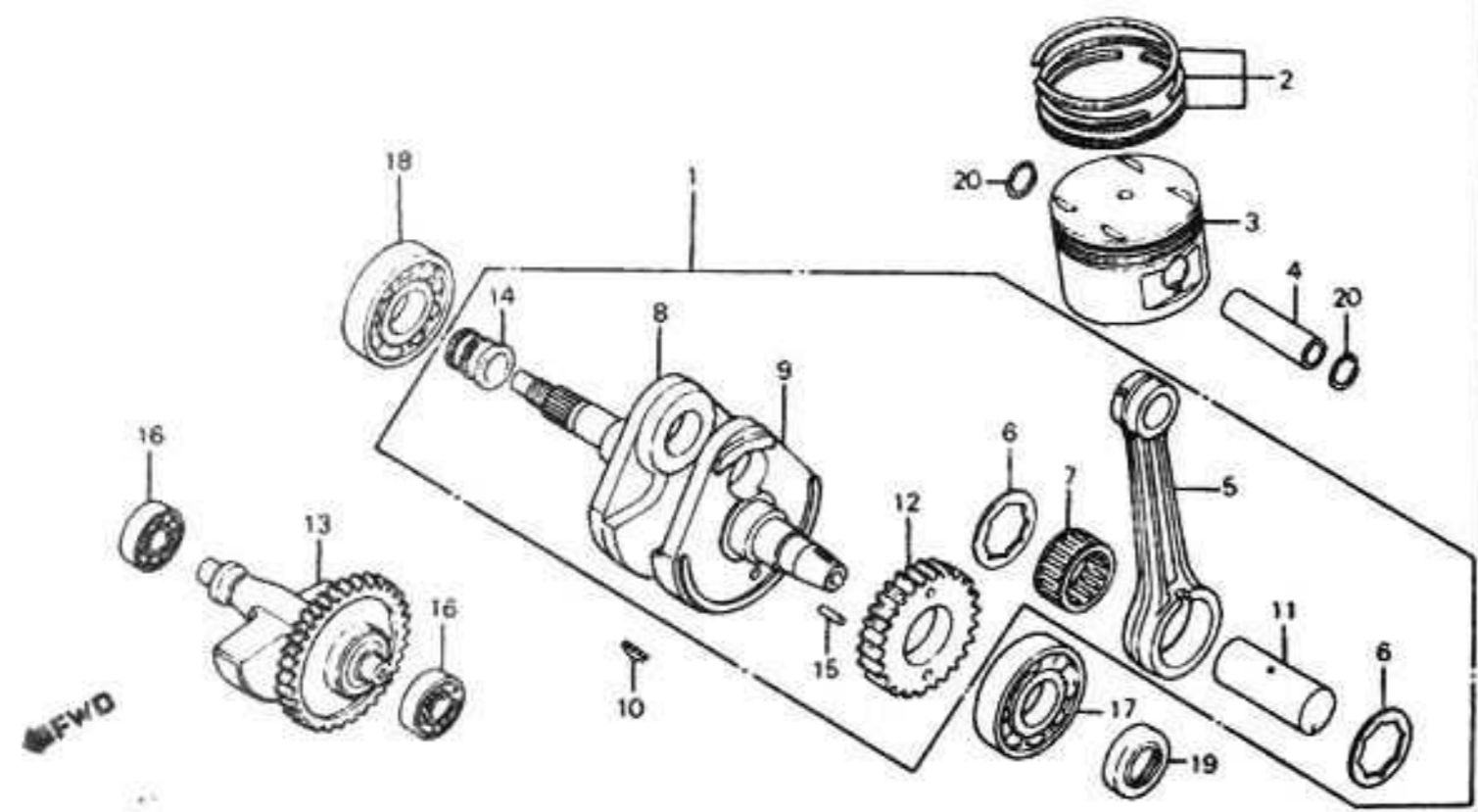
Connecting rod I.D. 43φ		Purple	Blue	Green	Black	Red
		+0.010 +0.006	+0.006 +0.002	+0.002 -0.002	-0.002 -0.006	-0.006 -0.010
1 or Blue	0 -0.004	Red 13211- HA5- 003	Blue 13212- HA5- 003	White 13213- HA5- 003		
2 or White	-0.004 -0.008		Red 13211- HA5- 003	Blue 13212- HA5- 003	White 13213- HA5- 003	
3 or Yellow	-0.008 -0.012			Red 13211- HA5- 003	Blue 13212- HA5- 003	White 13213- HA5- 003

E14HA5F10T

Ref. No.	BLOCK NO. DESCRIPTION	E-10		ENGINE SERIAL NUMBER		QTY REQ	PART NUMBER	HONDA CODE
		5	6	FROM	TO			
		ATC350X85	ATC350X86					
		5 = ATC350X'85	6 = ATC350X'86					
1	CRANKSHAFT COMP.	5	--	-----	-----	1	13000-HA5-000	2016921
	CRANKSHAFT COMP.	5	6	-----	-----	1	13000-HA5-670	2148088
2	RING SET, PISTON (STD)	5	6	-----	-----	1	13011-HA5-305	2027886
	RING SET, PISTON (0.25)	5	6	-----	-----	(1)	13021-HA5-305	2027894
	RING SET, PISTON (0.50)	5	6	-----	-----	(1)	13031-HA5-305	2027902
	RING SET, PISTON (0.75)	5	6	-----	-----	(1)	13041-HA5-305	2027910
	RING SET, PISTON (1.00)	5	6	-----	-----	(1)	13051-HA5-305	2027928
3	PISTON (STD)	5	6	-----	-----	1	13101-HA5-010	2060507
	PISTON (0.25)	5	6	-----	-----	(1)	13102-HA5-305	2027936
	PISTON (0.50)	5	6	-----	-----	(1)	13103-HA5-305	2027944
	PISTON (0.75)	5	6	-----	-----	(1)	13104-HA5-305	2027951
	PISTON (1.00)	5	6	-----	-----	(1)	13105-HA5-305	2027969
4	PIN, PISTON	5	6	-----	-----	1	13111-HA5-000	2016947
5	ROD, CONNECTING	5	--	-----	-----	1	13201-HA5-300	2027977
	ROD, CONNECTING	--	6	-----	-----	1	13201-HA7-670	2256204
6	PLATE, CONNECTING ROD SIDE	5	6	-----	-----	2	13202-429-300	2016954
7	BEARING, CONNECTING ROD (RED) ...	5	6	-----	-----	1	13211-HA5-003	2027985
	BEARING, CONNECTING ROD (BLUE) ..	5	6	-----	-----	1	13212-HA5-003	2028009
	BEARING, CONNECTING ROD (WHITE) ..	5	6	-----	-----	1	13213-HA5-003	2028025
8	CRANKSHAFT COMP., R.	5	6	-----	-----	1	13310-HA5-300	2028041
9	CRANKSHAFT, L.	5	6	-----	-----	1	13321-HA5-300	2028058
10	KEY, SPECIAL WOODRUFF, 25X18	5	6	-----	-----	1	13331-357-000	0348433
11	PIN, CRANK	5	6	-----	-----	1	13381-HA5-300	2028074
12	GEAR COMP., BALANCER DRIVE (34T) .	5	6	-----	-----	1	13410-HA0-300	1819424
13	SHAFT COMP., BALANCER	5	6	-----	-----	1	13420-HA5-000	2017069
	SPROCKET, TIMING	5	--	-----	-----	1	14312-HA5-300	2017127
	SPROCKET, TIMING	5	6	-----	-----	1	14312-HA5-670	2148104
15	PIN, STOPPER	5	6	-----	-----	1	90701-HA0-000	1824648
16	BEARING, RADIAL BALL (6203 KOYO) .	5	--	-----	-----	2	91001-HA5-003	2049799
	BEARING, RADIAL BALL, 6203 RSH ...	5	6	-----	-----	2	91003-HA7-672	2105096
17	BEARING, RADIAL BALL	5	6	-----	-----	1	91001-KE5-018	1836006
	BEARING, RADIAL BALL, 32X76X17.5	--	6	-----	-----	1	91011-HA0-004	1974658

CRANKSHAFT • PISTON

5 - ATC350X'85
6 - ATC350X'86



Selection table of connecting rod large end bearing
(Radial clearance 6~18μm)

Connecting rod I.D. 43φ		Purple	Blue	Green	Black	Red
		Crk pin O.D. 34φ	+0.010 +0.006	+0.006 +0.002	+0.002 -0.002	-0.002 -0.006
1 or Blue	0 -0.004	Red 13211- HA5- 003	Blue 13212- HA5- 003	White 13213- HA5- 003		
2 or White	-0.004 -0.008		Red 13211- HA5- 003	Blue 13212- HA5- 003	White 13213- HA5- 003	
3 or Yellow	-0.008 -0.012			Red 13211- HA5- 003	Blue 13212- HA5- 003	White 13213- HA5- 003

Ref. No. BLOCK NO. E-10
DESCRIPTION

- 18 BEARING, RADIAL BALL, 36
- 19 OIL SEAL, 29X45X8 (ARAI)
- OIL SEAL, 29X45X8 (NOK)
- OIL SEAL, 29X45X8
- 20 CLIP, PISTON PIN, 21MM

ATC350X'85
ATC350X'86

ENGINE SERIAL NUMBER
FROM TO

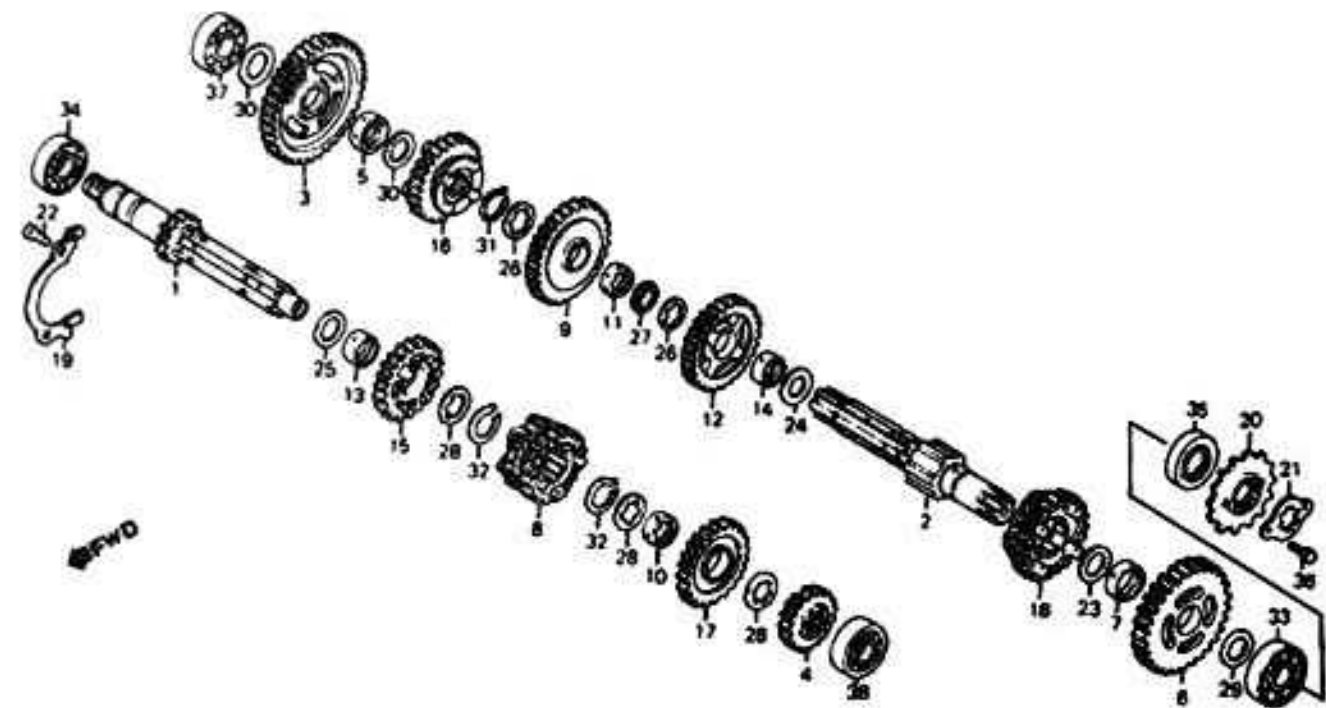
QTY REQ

PART NUMBER

HONDA CODE

Ref. No.	DESCRIPTION	ATC350X'85	ATC350X'86	ENGINE SERIAL NUMBER	QTY REQ	PART NUMBER	HONDA CODE
5	18 BEARING, RADIAL BALL, 36	5	6	-----	1	91002-HA0-008	1824671
5	19 OIL SEAL, 29X45X8 (ARAI)	5	6	-----	1	91213-PD2-004	1590470
5	OIL SEAL, 29X45X8 (NOK)	5	6	-----	1	91213-PE1-721	1892389
5	OIL SEAL, 29X45X8	5	6	-----	1	91213-PH1-013	2440162
5	20 CLIP, PISTON PIN, 21MM	5	6	-----	2	94601-21000	0338582

TRANSMISSION

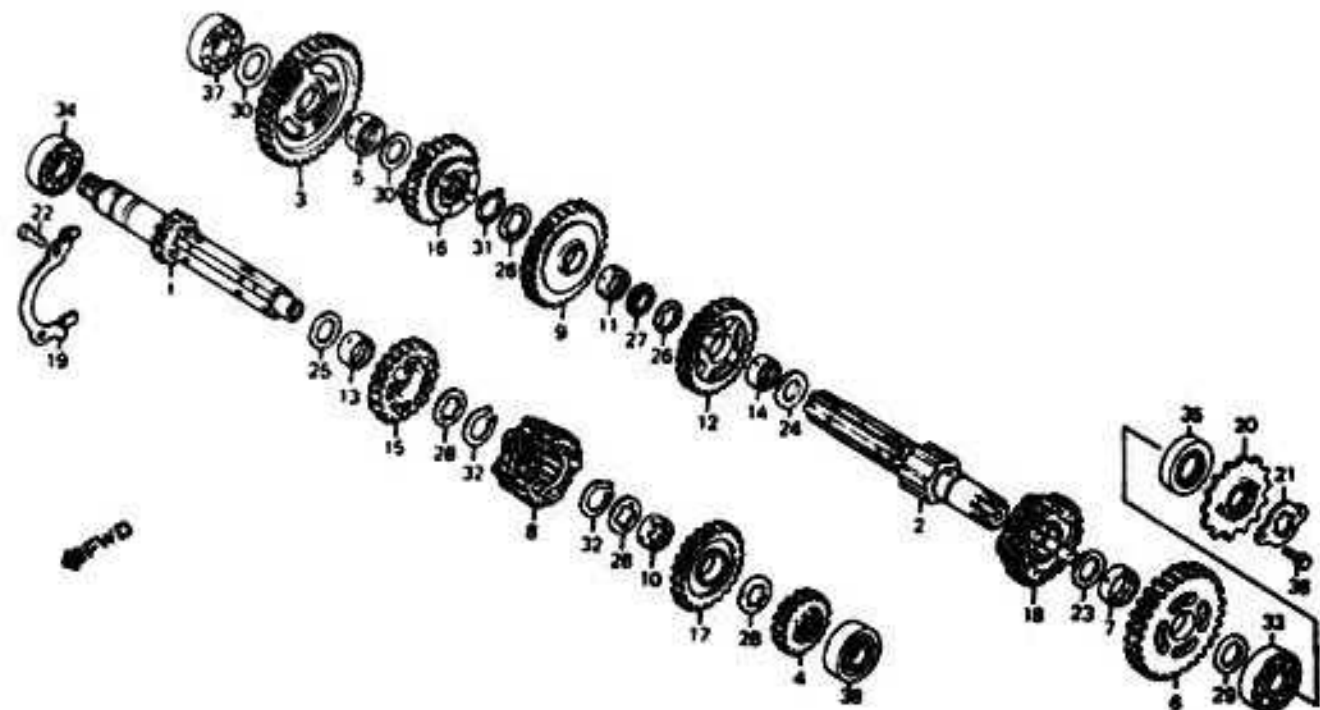


E14HA5F11

Ref. No.	BLOCK NO. E-11 DESCRIPTION	ENGINE SERIAL NUMBER		QTY REQ	PART NUMBER	HONDA CODE
		ATC350X85	ATC350X86			
5 = ATC350X'85 6 = ATC350X'86						
1	MAINSHAFT, TRANSMISSION	5	6	1	23211-HA5-000	2019107
2	COUNTERSHAFT COMP., TRANSMISSION	5	6	1	23220-HA5-000	2019123
3	GEAR, COUNTERSHAFT LOW (44T)	5	---	1	23411-HA5-000	2019131
	GEAR, COUNTERSHAFT LOW (44T)	---	6	1	23411-HA5-670	2148435
4	GEAR, MAINSHAFT SECOND (20T)	5	6	1	23421-HA5-000	2019149
5	BUSH	5	---	1	23422-HA5-000	2019156
	BUSH, COUNTERSHAFT LOW, 20MM	---	6	1	23422-HA5-670	2148443
6	GEAR, COUNTERSHAFT SECOND (41T) .	5	---	1	23431-HA5-000	2019164
	GEAR, COUNTERSHAFT SECOND (41T) .	5	6	1	23431-HA5-670	2148450
7	BUSH, 24MM	5	---	1	23432-HA5-000	2019180
	BUSH, COUNTERSHAFT SECOND	---	6	1	23432-HA5-670	2148468
8	GEAR, MAINSHAFT THIRD & FOURTH (23T & 26T)	5	---	1	23441-HA5-000	2019198
	GEAR, MAINSHAFT THIRD & FOURTH (23T/26T)	5	6	1	23441-HA5-670	2148476
9	GEAR, COUNTERSHAFT THIRD (37T) ..	5	---	1	23451-HA5-000	2019206

Ref. No.	BLOCK NO. E-11 DESCRIPTION	ENGINE SERIAL NUMBER		QTY REQ	PART NUMBER	HONDA CODE
		ATC350X85	ATC350X86			
5 = ATC350X'85 6 = ATC350X'86						
9	GEAR, COUNTERSHAFT THIRD (37T) ..	---	6	1	23451-HA5-670	2148484
10	BUSH, SPLINE	5	---	1	23452-HA5-000	2019214
	BUSH, SPLINE MAINSHAFT SIXTH	5	6	1	23452-HA5-670	2148492
11	BUSH, SPLINE	5	---	1	23453-HA5-000	2019222
	BUSH, SPLINE COUNTERSHAFT THIRD .	---	6	1	23453-HA5-670	2148500
12	GEAR, COUNTERSHAFT FOURTH (34T) .	5	---	1	23471-HA5-000	2019230
	GEAR, COUNTERSHAFT FOURTH (34T) .	---	6	1	23471-HA5-670	2148518
13	BUSH	5	---	1	23472-HA5-000	2019248
	BUSH, MAINSHAFT FIFTH	---	6	1	23472-HA5-670	2148526
14	BUSH	5	---	1	23473-HA5-000	2019255
	BUSH, COUNTERSHAFT FOURTH	---	6	1	23473-HA5-670	2148534
15	GEAR, MAINSHAFT FIFTH (29T)	5	---	1	23481-HA5-000	2019263
	GEAR, MAINSHAFT FIFTH (29T)	---	6	1	23481-HA5-670	2145542
16	GEAR, COUNTERSHAFT FIFTH (32T) ..	5	---	1	23491-HA5-000	2019271
	GEAR, COUNTERSHAFT FIFTH (32T) ..	---	6	1	23491-HA5-670	2148559
17	GEAR, MAINSHAFT SIXTH (31T)	5	---	1	23501-HA5-000	2019297
	GEAR, MAINSHAFT SIXTH	5	---	1	23501-HA5-670	2148567
	GEAR, MAINSHAFT SIXTH (31T)	5	6	1	23501-HA5-671	2428720
18	GEAR, COUNTERSHAFT SIXTH (29T) ..	5	---	1	23511-HA5-000	2019305
	GEAR, COUNTERSHAFT SIXTH (29T) ..	5	6	1	23511-HA5-670	2148575
19	PLATE, BEARING SETTING	5	6	1	23521-HA0-000	1820984
20	SPROCKET, DRIVE (13T)	5	6	1	23801-HA5-000	2019321
21	PLATE, DRIVE SPROCKET FIXING	5	---	1	23811-430-000	0679233
	PLATE, FIXING	5	6	1	23811-HA5-670	2148583
22	BOLT, SOCKET, 6X16	5	---	2	90001-KF0-000	1555408
	BOLT, SOCKET, 6X16	---	6	2	96700-06016-10	2088763
23	WASHER, THRUST, 24MM	5	6	1	90402-HA5-000	2023687
24	WASHER, THRUST, 25MM	5	6	1	90456-MA6-000	1395482
25	WASHER, THRUST, 22MM	5	6	1	90456-323-000	0255232
26	WASHER B, THRUST, 25MM	5	6	2	90461-286-000	0172460
27	WASHER, LOCK, 25MM	5	6	1	90462-323-000	0255257
28	WASHER, SPLINE, 22MM	5	6	3	90464-KE8-000	1768563

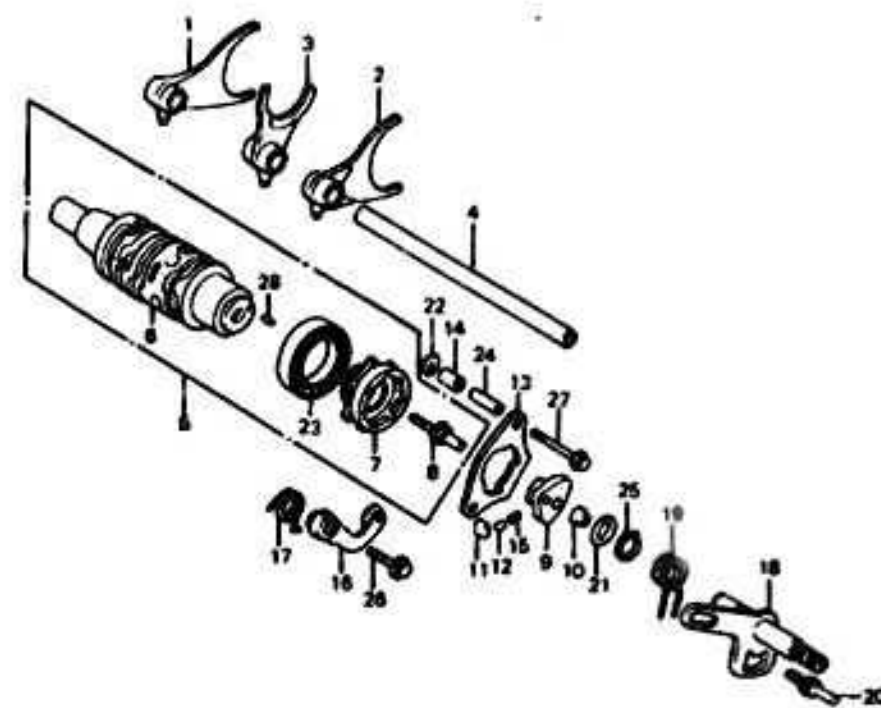
TRANSMISSION



E14HA5F11

Ref. No.	BLOCK NO. E-11 DESCRIPTION	ENGINE SERIAL NUMBER		QTY REQ	PART NUMBER	HONDA CODE
		ATC350X'85 5	ATC350X'86 6			
	5 = ATC350X'85 6 = ATC350X'86					
29	WASHER, THRUST, 22MM	5	6	1	90502-360-000	0341297
30	WASHER, THRUST, 20X1.00	5	6	2	90454-428-000	0684902
	WASHER, THRUST, 20MM	5	6	2	90554-700-000	0401430
31	CIRCLIP, 25MM	5	6	1	90601-107-000	0248740
32	CIRCLIP, 22MM	5	6	2	90601-329-000	0279711
33	BEARING, SPECIAL, 22 (KOYO)	5	6	1	91002-HA5-003	2028801
34	BEARING, RADIAL BALL, 62/22	5	6	1	91005-KF0-008	1555549
	BEARING, RADIAL BALL, 62/22	5	6	1	91005-KS4-003	2395317
35	OIL SEAL, 22X35X8	5	6	1	91205-HA5-000	2023836
36	BOLT, HEX., 6X10	5	6	2	92000-06010	0054171
	BOLT, HEX., 6X10	5	6	2	92101-06010-0A	3307048
37	BEARING, RADIAL BALL, 6204	5	6	1	96100-62040-00	0674390
38	BEARING, RADIAL BALL, 6203	5	6	1	96140-62030-00	1418235

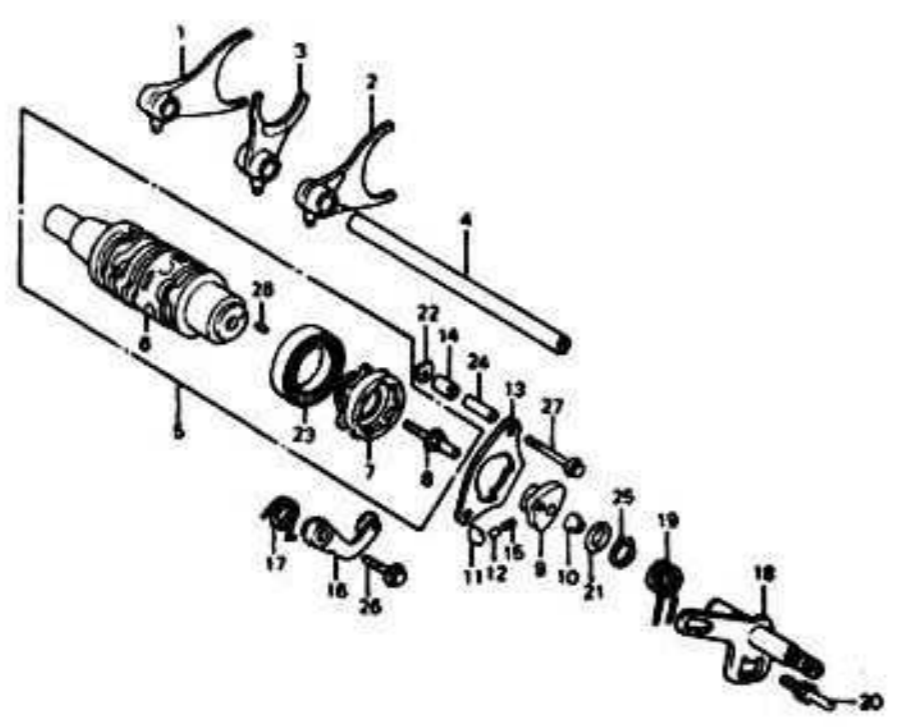
SHIFT DRUM



E14HA5F12

Ref. No.	BLOCK NO. E-12 DESCRIPTION	ENGINE SERIAL NUMBER		QTY REQ	PART NUMBER	HONDA CODE
		ATC350X'85 5	ATC350X'86 6			
	5 = ATC350X'85 6 = ATC350X'86					
1	FORK, R. GEARSHIFT	5	6	1	24211-HA5-000	2019339
2	FORK, L. GEARSHIFT	5	6	1	24212-HA5-000	2019347
3	FORK, CENTER GEARSHIFT	5	6	1	24213-HA5-000	2019362
4	SHAFT, GEARSHIFT FORK GUIDE	5	6	1	24241-HA5-000	2019370
5	DRUM COMP., GEARSHIFT	5	---	1	24300-HA5-000	2019388
	DRUM ASSY., GEARSHIFT	---	6	1	24300-HA5-670	2148591
6	DRUM, GEARSHIFT	5	---	1	24301-HA5-000	2019396
	DRUM, GEARSHIFT	---	6	1	24301-HA5-670	2148609
7	CENTER COMP., SHIFT DRUM	5	6	1	24312-HA5-003	2019404
8	PIN, SHIFTER	5	6	1	24315-KA3-710	1353523
9	SHIFTER, DRUM	5	6	1	24321-HA5-000	2019412
10	COLLAR, SHIFTER	5	6	1	24322-HA0-000	1821123
11	PAWL, RATCHET	5	6	2	24324-KA3-740	1552520
12	PLUNGER, PAWL	5	6	2	24326-360-000	0339671
	PLUNGER, PAWL	5	6	2	24326-360-010	4176574
13	PLATE, GUIDE	5	---	1	24328-HA5-000	2019420

SHIFT DRUM

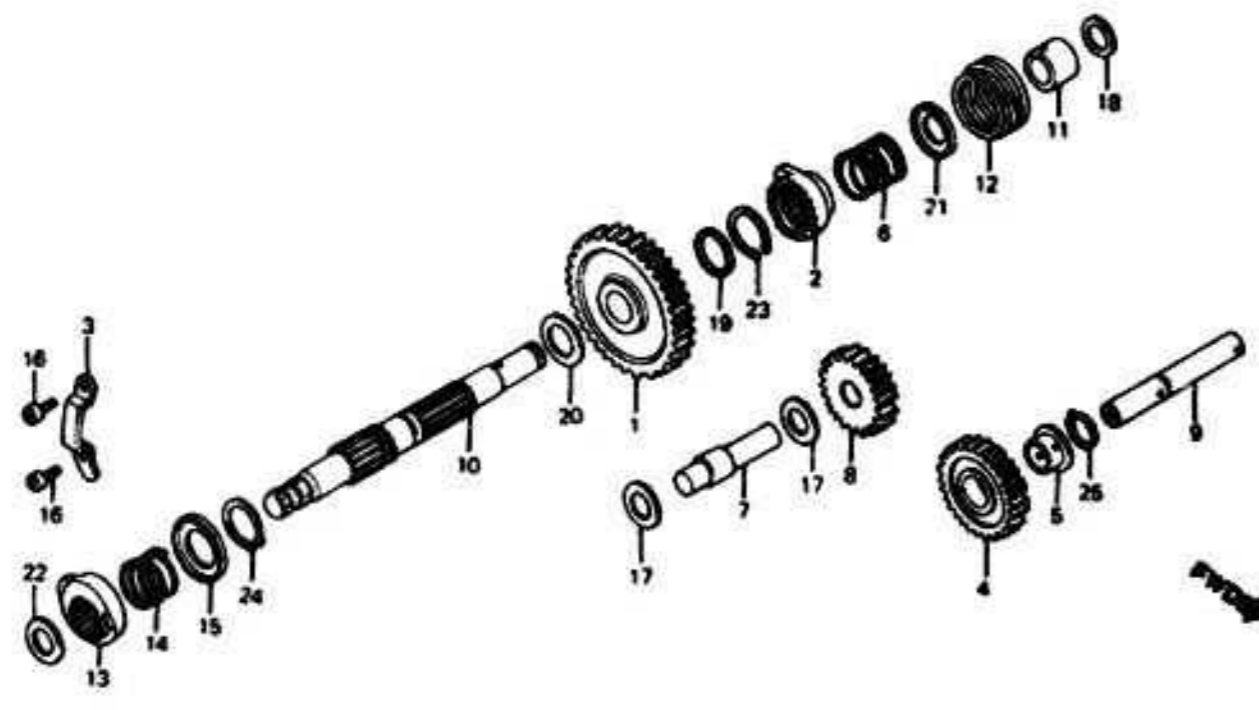


E14HA5F12

5 = ATC350X'85 6 = ATC350X'86		ATC350X'85	ATC350X'86	ENGINE SERIAL NUMBER		QTY REQ	PART NUMBER	HONDA CODE
Ref. No.	BLOCK NO. E-12 DESCRIPTION	5	6	FROM	TO			
	13 PLATE, GUIDE	5	--	-----	5023805	1	24328-HA5-010	2148617
		5	6	-----	-----	1	24328-HA5-010	2148617
	14 COLLAR, GUIDE PLATE DISTANCE	5	6	-----	-----	2	24329-HA0-000	1821149
	15 SPRING, PAWL PLUNGER	5	6	-----	-----	2	24329-KA3-740	1552546
	16 STOPPER COMP., GEARSHIFT DRUM ...	5	6	-----	-----	1	24430-HA0-000	1821156
	17 SPRING, SHIFT DRUM STOPPER	5	6	-----	-----	1	24435-HA5-000	2019438
	18 ARM COMP., GEARSHIFT	5	--	-----	-----	1	24610-HA5-000	2019446
	ARM COMP., GEARSHIFT	5	6	-----	-----	1	24610-HA5-670	2148625
	19 SPRING, SHIFT RETURN	5	6	-----	-----	1	24651-HA5-000	2019453
	20 PIN, GEARSHIFT RETURN SPRING	5	6	-----	-----	1	24652-HA5-000	2019461
	21 WASHER, THRUST, 13MM	5	6	-----	-----	1	90401-HA5-000	2023679
	22 PLATE, BEARING HOLDER	5	6	-----	-----	2	90441-HA0-000	1824531
	23 BEARING, BALL, 16005 (NTN)	5	6	-----	-----	1	91008-374-003	0362855
	BEARING, 16005	5	6	-----	-----	1	91051-719-003	1243823
	24 PIN, DOWEL, 8X26.5	5	6	-----	-----	2	91104-HA0-000	1824812
	25 CIRCLIP, EXTERNAL, 13MM	5	6	-----	-----	1	94510-13000	0355594

5 = ATC350X'85 6 = ATC350X'86		ATC350X'85	ATC350X'86	ENGINE SERIAL NUMBER		QTY REQ	PART NUMBER	HONDA CODE
Ref. No.	BLOCK NO. E-12 DESCRIPTION	5	6	FROM	TO			
	26 BOLT, FLANGE, 6X32	5	6	-----	-----	1	95900-06032-00	1835305
	27 BOLT, FLANGE, 6X40	5	--	-----	-----	2	95900-06040-08	1825173
		--	6	-----	5112009	2	95900-06040-08	1825173
	BOLT, FLANGE, 6X40	5	6	-----	-----	2	95701-06040-08	2105872
		--	6	-----	5112009	2	95701-06040-08	2105872
	28 ROLLER, 4X8	5	6	-----	-----	1	96220-40080	1357383

KICK STARTER

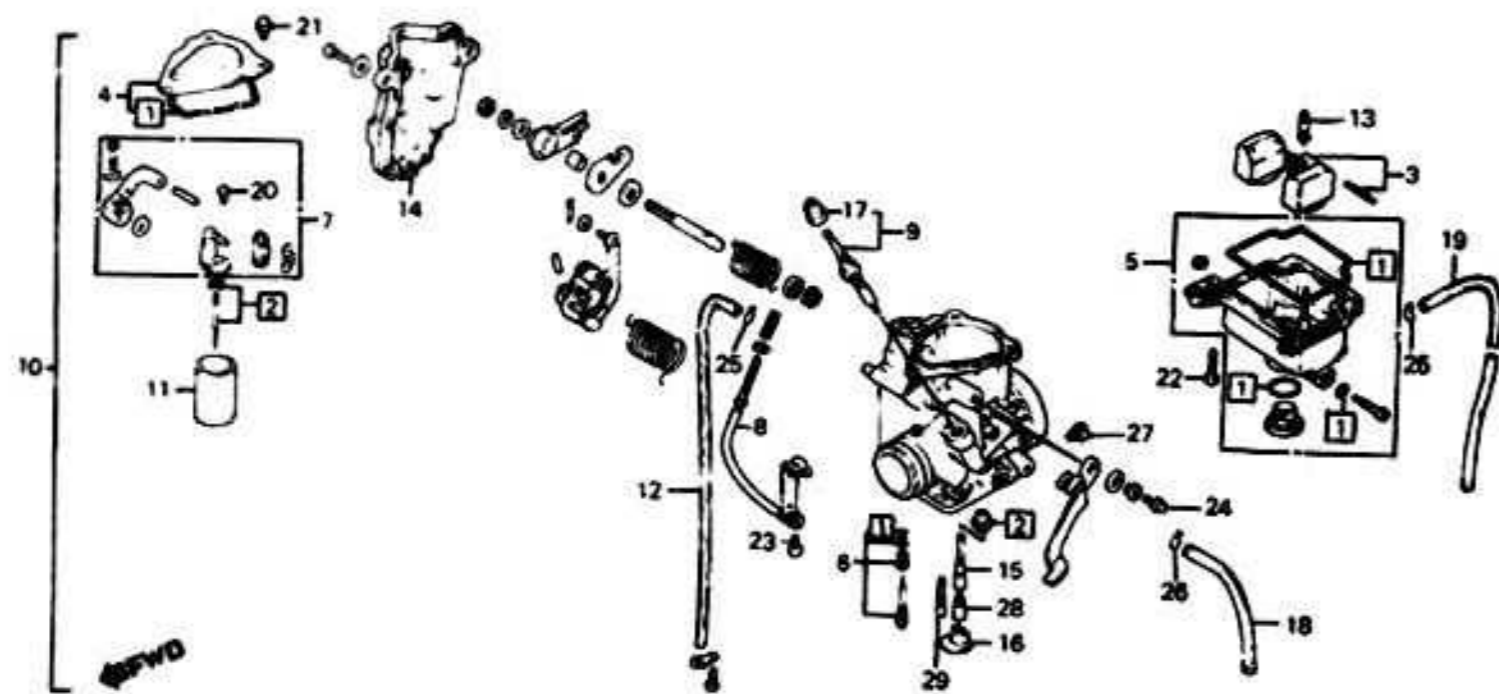


E14HA5F13

Ref. No.	BLOCK NO. DESCRIPTION	ENGINE SERIAL NUMBER		QTY REQ	PART NUMBER	HONDA CODE
		FROM	TO			
5 = ATC350X'85 6 = ATC350X'86		ATC350X'85	ATC350X'86			
1	PINION, KICK STARTER	5	---	1	28211-HA5-000	2019511
	PINION, KICK STARTER	5	6	1	28211-HA5-670	2148641
2	RATCHET, KICK STARTER	5	6	1	28213-HA0-000	1821354
3	PLATE, KICK STOPPER	5	6	1	28215-HA0-000	1821362
4	GEAR, SECOND KICK IDLE (20T)	5	6	1	28221-HA5-000	2019529
5	BUSH, 14MM	5	---	1	28222-HA5-000	2019537
	BUSH, 14MM	5	6	1	28222-HA5-670	2148658
6	SPRING, KICK STARTER RATCHET	5	6	1	28223-HA0-000	1821388
7	SHAFT, FIRST KICK IDLE	5	---	1	28242-HA5-000	2019545
	SHAFT, FIRST KICK IDLE	---	6	1	28242-HA5-670	2148666
8	GEAR, FIRST KICK IDLE	5	---	1	28243-HA5-000	2019552
	GEAR, FIRST KICK IDLE (16T)	---	6	1	28243-HA5-670	2148674
9	SHAFT COMP., SECOND KICK IDLE	5	---	1	28245-HA5-000	2019578
	SHAFT COMP., SECOND KICK IDLE	5	6	1	28245-HA5-670	2148682
10	SPINDLE, KICK STARTER	5	---	1	28250-HA5-000	2019586
	SPINDLE, KICK STARTER	5	6	1	28250-HA5-670	2148690

Ref. No.	BLOCK NO. DESCRIPTION	ENGINE SERIAL NUMBER		QTY REQ	PART NUMBER	HONDA CODE
		FROM	TO			
5 = ATC350X'85 6 = ATC350X'86		ATC350X'85	ATC350X'86			
11	COLLAR, KICK STARTER	5	6	1	28255-HA5-000	2019594
12	SPRING, KICK STARTER	5	6	1	28261-HA5-000	2019602
13	CAM, KICK SHAFT	5	---	1	28272-HA5-000	2019610
	CAM, KICK SHAFT	---	6	1	28272-HA5-670	2148708
14	SPRING, CAM RESET	5	6	1	28283-428-000	0684688
15	SEAT, CAM RESET SPRING	5	6	1	28284-428-000	068/696
16	BOLT, SOCKET, 6X16	5	6	2	90001-MA2-770	1115856
17	WASHER, THRUST, 15MM	5	6	2	90451-107-000	0215582
18	WASHER, 14MM	5	---	1	90451-155-000	1032143
	WASHER B, THRUST, 14MM	5	6	1	90428-958-000	0842013
19	WASHER, THRUST, 22MM	5	6	1	90453-428-000	0684894
20	WASHER, THRUST, 22MM	5	6	1	90456-323-000	0255232
21	WASHER, KICK RATCHET SPRING	5	6	1	90501-KF0-000	1418326
22	WASHER, THRUST, 20X1.00	5	6	1	90454-428-000	0684902
	WASHER, THRUST, 20MM	5	6	1	90554-700-000	0401430
23	CIRCLIP, 22MM	5	6	1	90601-329-000	0279711
24	CIRCLIP, EXTERNAL, 24MM	5	6	1	94510-24000	0687772
25	CIRCLIP, EXTERNAL, 14MM	5	6	1	94511-14000	0417295

CARBURETOR



E14HASF14

Ref. No.	BLOCK NO. DESCRIPTION	ENGINE SERIAL NUMBER		QTY REQ	PART NUMBER	HONDA CODE
		FROM	TO			
5 = ATC350X'85 6 = ATC350X'86						
		ATC350X'85	ATC350X'86			
1	GASKET SET	5	--	1	16010-HA5-004	2028132
	GASKET SET	5	6	1	16010-HA5-014	2062057
	GASKET SET	5	6	1	16010-HA5-305	3978749
2	NEEDLE SET, JET	5	--	1	16012-HA5-004	2028165
	NEEDLE SET, JET	--	6	1	16012-HA5-671	2275667
3	FLOAT SET	5	6	1	16013-HA0-003	1831429
4	TOP SET	5	6	1	16014-HA0-003	1831437
5	CHAMBER SET, FLOAT	5	--	1	16015-HA5-004	2028199
	CHAMBER SET, FLOAT	5	6	1	16015-HA5-014	2062065
6	SCREW SET	5	--	1	16016-HA5-004	2028215
	SCREW SET	5	--	1	16016-KR3-721	3417318
	SCREW SET	--	6	1	16016-HA5-671	2275675
7	ARM SET, LINK	5	6	1	16018-HA0-003	1831478
	ARM SET, LINK	5	6	1	16018-HA7-671	2440675
8	SCREW SET	5	6	1	16028-HA5-004	2028249
9	VALVE SET, STARTER	5	6	1	16046-HA5-004	2028272

Ref. No.	BLOCK NO. DESCRIPTION	ENGINE SERIAL NUMBER		QTY REQ	PART NUMBER	HONDA CODE
		FROM	TO			
5 = ATC350X'85 6 = ATC350X'86						
		ATC350X'85	ATC350X'86			
10	CARBURETOR ASSY.	5	--	1	16100-HA5-004	2017465
	CARBURETOR ASSY.	5	6	1	16100-HA5-014	2154912
11	VALVE, THROTTLE	5	--	1	16111-HA5-004	2028322
	VALVE, THROTTLE	--	6	1	16111-HA7-671	2271344
12	TUBE, OVER FLOW	5	6	1	16144-HA1-671	1053362
13	VALVE COMP., FLOAT	5	--	1	16155-413-751	0826990
	VALVE COMP., FLOAT	--	6	1	16155-397-971	1219245
14	BODY, COVER	5	6	1	16160-HA0-003	1831528
15	HOLDER, NEEDLE JET	5	6	1	16165-HA5-004	2028348
16	HOLDER, JET	5	6	1	16168-HA5-004	2154946
17	CAP, SEALING	5	6	1	16179-HA0-681	2095396
18	TUBE	5	6	1	16199-HA5-004	2028363
19	TUBE, FUEL	5	6	1	16199-459-004	0836262
20	SCREW, PAN, 3X6	5	6	2	93500-03006-0H	0561654
	SCREW, PAN, 3X6	5	6	2	93500-03006-1H	1834829
21	SCREW, PAN, 4X8	5	6	3	93500-04008-0H	0369017
	SCREW, PAN, 4X8	5	6	3	93500-04008-1H	1295146
22	SCREW, PAN, 4X14	5	6	4	93500-04014-0H	0583179
	SCREW, PAN, 4X14	5	6	4	93500-04014-1H	1415462
23	SCREW, PAN, 6X10	5	6	1	93500-06010-1H	2028868
24	SCREW-WASHER, 5X14	5	6	1	93892-05014-08	0660720
25	CLIP, TUBE, B7	5	6	2	95002-02070	0250639
26	CLIP, TUBE, B8	5	6	1	95002-02080	0250647
27	JET, STARTER, #80	--	6	1	99101-HA5-0800	2097244
28	JET, MAIN, #138	5	6	1	99101-357-1380	0454546
29	JET, SLOW, #40	5	--	1	99103-HA1-0400	1965516
	JET, SLOW, #42	5	--	1	99103-HA1-0420	2028967
	JET, SLOW, #45	--	6	1	99103-420-0450	2275881

GASKET KIT A

GASKET KIT B

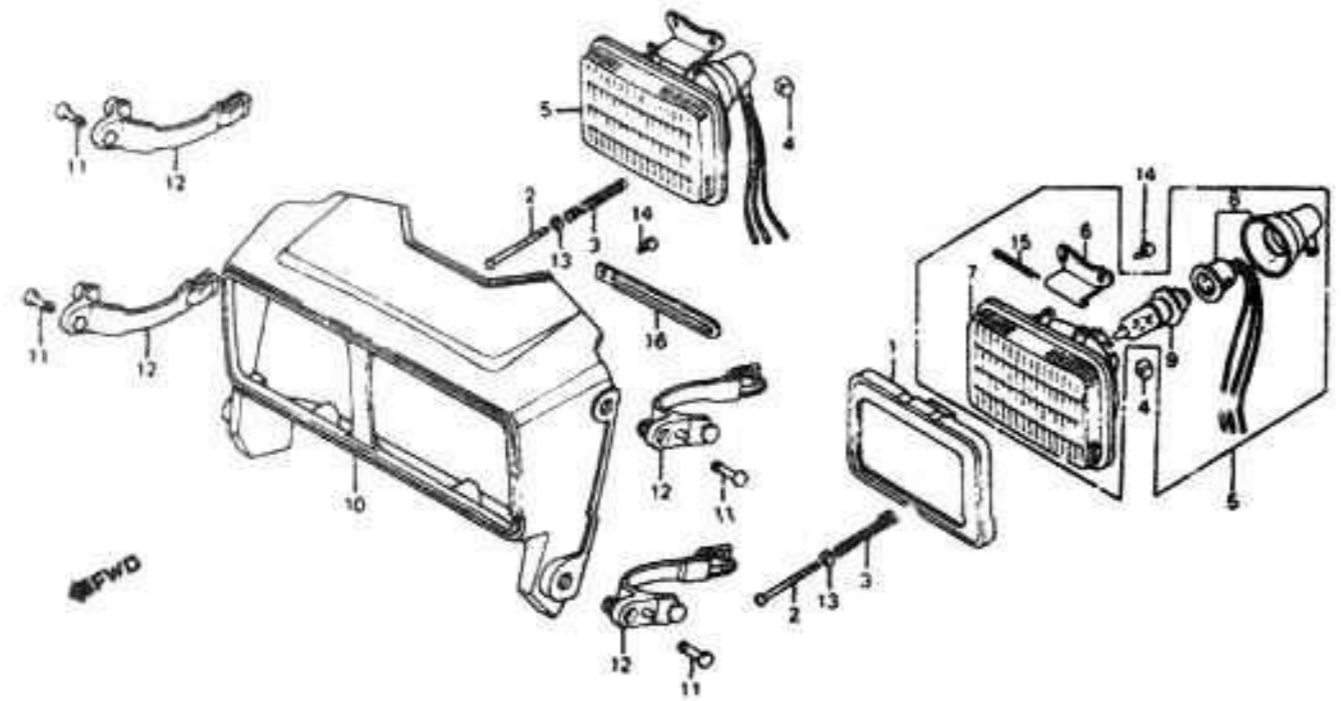
5 = ATC350X'85 6 = ATC350X'86		ATC 350X 85	ATC 350X 86	ENGINE SERIAL NUMBER		QTY REQ	PART NUMBER	HONDA CODE
Ref. No.	BLOCK NO. EOP-1 DESCRIPTION	5	6	FROM	TO			
	GASKET KIT A	5	6	-----	-----	1	061A1-HA5-000	2061562
1	GASKET, CYLINDER	5	6	-----	-----	1	12191-HA5-000	2016806
2	GASKET, TENSIONER HOLE	5	6	-----	-----	1	12194-HA0-000	1819051
3	SEAL, VALVE STEM	5	6	-----	-----	4	12209-KL4-005	1777879
4	GASKET, CYLINDER HEAD (NIPPON) ..	5	6	-----	-----	1	12251-HA5-004	2016871
5	GASKET, TAPPET COVER	5	6	-----	-----	2	12392-428-000	0683615
6	GASKET A, EX. PIPE	5	6	-----	-----	2	18291-216-000	0028241
7	O-RING, 7.7X2.5	5	6	-----	-----	2	91303-428-003	0685016
8	O-RING, 35.4X2.9	5	6	-----	-----	1	91305-HA5-000	2023893

NOL

5 = ATC350X'85 6 = ATC350X'86		ATC 350X 85	ATC 350X 86	ENGINE SERIAL NUMBER		QTY REQ	PART NUMBER	HONDA CODE
Ref. No.	BLOCK NO. EOP-2 DESCRIPTION	5	6	FROM	TO			
	GASKET KIT B	5	---	-----	-----	1	061B1-HA5-000	2061588
	GASKET KIT B	---	6	-----	-----	1	061B1-HA5-010	2154862
1	GASKET, BREATHER PLATE	5	6	-----	-----	1	11105-HA5-000	2016624
2	GASKET, CRANKCASE	5	6	-----	-----	1	11191-HA5-000	2016632
3	GASKET, R. CRANKCASE COVER	5	---	-----	-----	1	11394-HA0-000	1819002
	GASKET, R. CRANKCASE COVER	---	6	-----	-----	1	11394-HA8-000	1975630
4	GASKET, L. CRANKCASE COVER	5	6	-----	-----	1	11395-HA5-000	2016772
5	O-RING, 54X2.4	5	6	-----	-----	1	91302-KF0-003	1490952
6	O-RING, 1.9X11	5	6	-----	-----	1	91301-671-671	0794099
	O-RING, 11X1.9 (ARAI)	5	6	-----	-----	1	91303-HA0-000	1824937
	O-RING, 11X1.9 (ARAI)	5	6	-----	-----	1	91303-HA0-003	1842376
	O-RING, 11X1.9 (NOK)	5	6	-----	-----	1	91303-HA0-004	1842384
7	O-RING, 13.8X2.5	5	6	-----	-----	1	91303-MG7-003	2995447
	O-RING, 13.8X2.5	5	6	-----	-----	1	91303-377-000	0499525
	O-RING, 13.8X2.5	5	6	-----	-----	1	91303-426-000	1113372
8	O-RING, 10X2	5	6	-----	-----	2	91304-HA5-003	2028835

NOLL

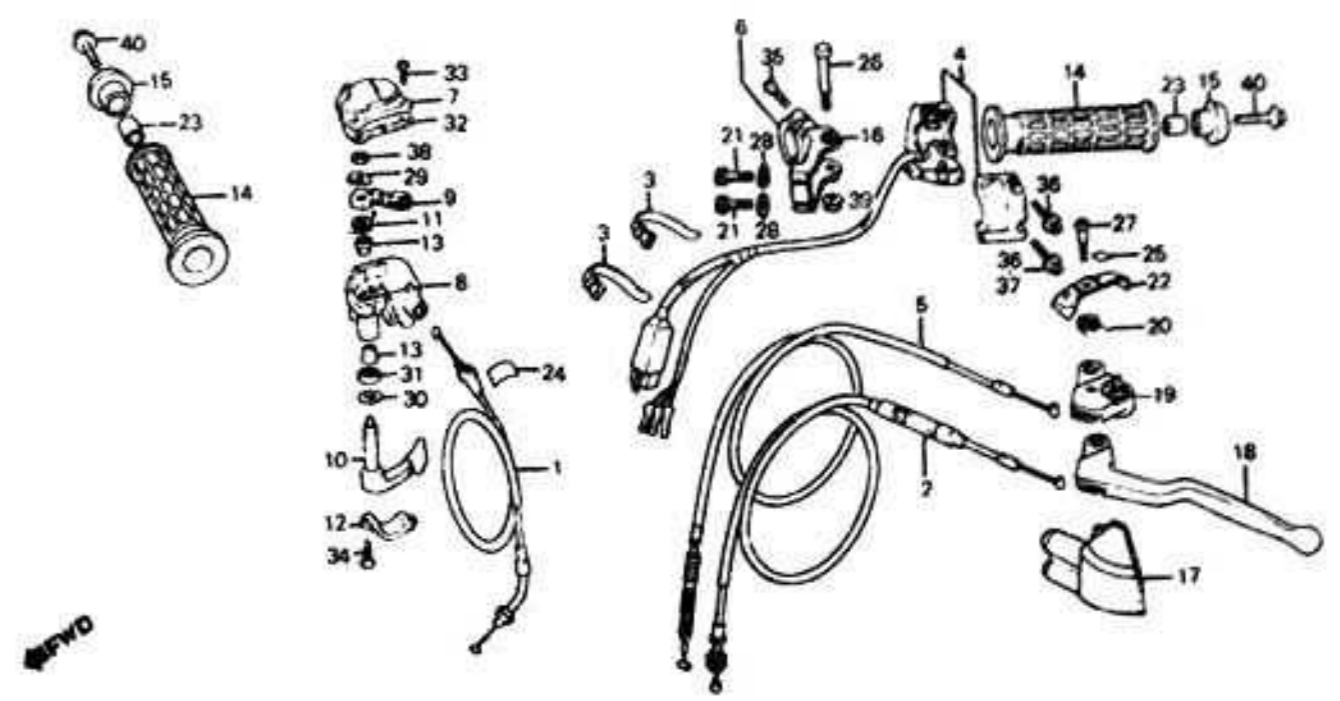
HEADLIGHT



F14HA5F01

Ref. No	BLOCK NO. DESCRIPTION	F-1	FRAME SERIAL NUMBER		QTY REQ	PART NUMBER	HONDA CODE
			ATC350X85	ATC350X86			
	5 = ATC350X'85 6 = ATC350X'86						
1	GASKET, HEADLIGHT		5	6	2	33102-KJ2-003	2020105
2	SCREW, BEAM ADJUSTING		5	6	2	33103-KF0-670	1418938
3	SPRING, HEADLIGHT BEAM ADJUSTING		5	6	2	33107-246-003	0766790
4	NUT, BEAM ADJUSTING (STANLEY)		5	6	2	33117-KA2-003	1036763
5	HEADLIGHT UNIT (12V 35/36.5W)		5	6	2	33120-HA5-003	2020121
6	STAY, HEADLIGHT		5	6	2	33122-HA5-003	2020139
7	UNIT COMP., HEADLIGHT		5	6	2	33123-HA5-003	2020147
8	SOCKET ASSY., HEADLIGHT		5	6	2	33130-HA5-003	2020154
9	BULB, HEADLIGHT		5	6	2	34901-GJ1-003	2020311
10	CASE, HEADLIGHT		5	6	1	61301-HA5-000	2022531
11	PIN, HEADLIGHT BAND		5	6	4	61308-HA2-000	1828979
12	BAND, HEADLIGHT CASE		5	6	4	61309-HA5-000	2022564
13	WASHER, BEAM ADJUSTING		5	6	2	90286-147-670	0465542
14	SCREW, TAPPING, 4X8		5	6	5	93903-34110	1590769
15	PIN, SPLIT, 3.0X35		5	6	2	94201-30350	0417915
16	CLIP, 4X100		5	6	1	94591-41000	0795864

HANDLE LEVER • SWITCH • CABLE



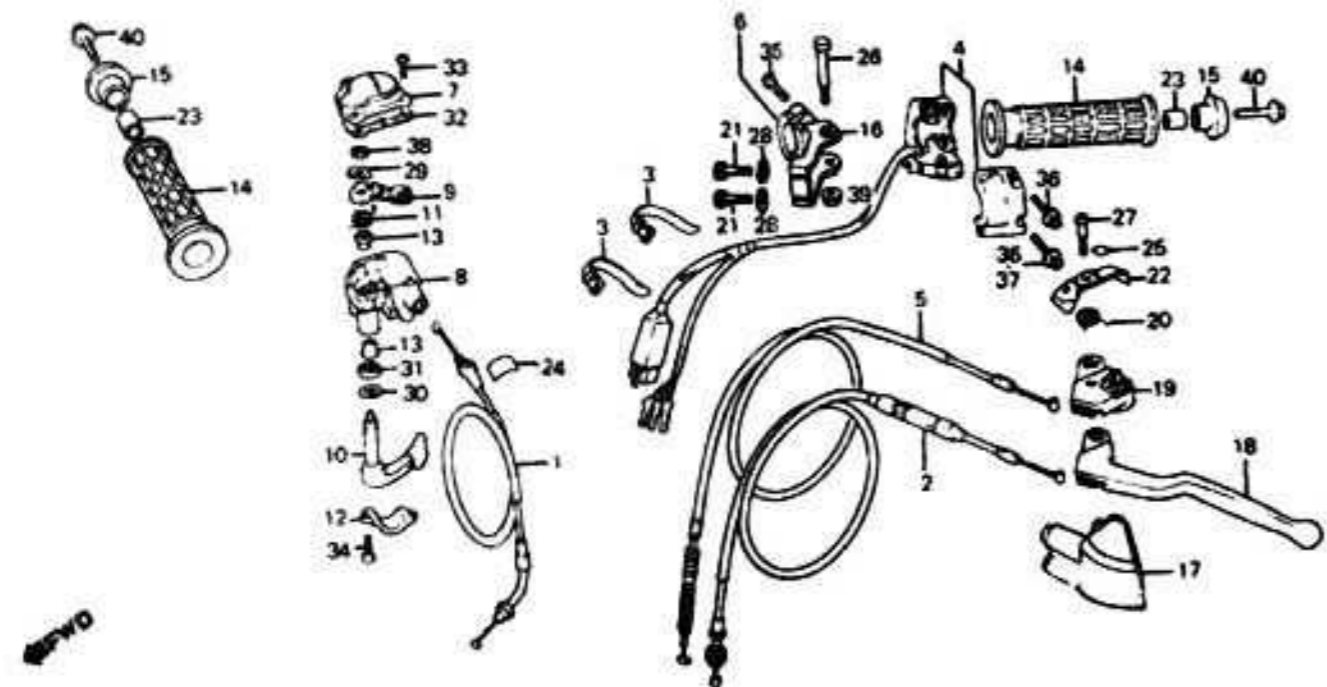
F14HA5F02

"CAUTION OR WARNING LABELS MUST BE ORDERED SEPARATELY WHEN APPLICABLE"

Ref. No	BLOCK NO. DESCRIPTION	F-2	FRAME SERIAL NUMBER		QTY REQ	PART NUMBER	HONDA CODE
			ATC350X85	ATC350X86			
	5 = ATC350X'85 6 = ATC350X'86						
1	CABLE COMP., THROTTLE		5	---	1	17910-HA5-000	2018414
	CABLE COMP., THROTTLE		---	6	1	17910-HA5-670	2148302
2	CABLE COMP., CLUTCH		5	---	1	22870-HA5-000	2019073
	CABLE COMP., CLUTCH		5	---	1	22870-HA5-010	2097954
	CABLE COMP., CLUTCH		---	6	1	22870-HA5-670	2148419
3	BAND B1, WIRE		5	6	2	32161-404-000	0468819
4	SWITCH ASSY., LIGHTING ENGINE		5	---	1	35200-HA5-000	2020410
	SWITCH ASSY., LIGHTING ENGINE STOP		---	6	1	35200-HA5-670	2148732
	SWITCH ASSY., LIGHTING ENGINE STOP		---	6	1	35200-HA5-671	2481331
	SWITCH ASSY., LIGHTING ENGINE STOP		---	6	1	35200-HA5-672	3683042
5	CABLE COMP., PARKING BRAKE		5	---	1	43455-HA5-000	2021095
	CABLE COMP., PARKING BRAKE		---	6	1	43455-HA5-670	2148880
6	HOLDER, MASTER CYLINDER		5	6	1	45517-961-000	1046374

HANDLE LEVER • SWITCH • CABLE

5 = ATC350X'85
6 = ATC350X'86



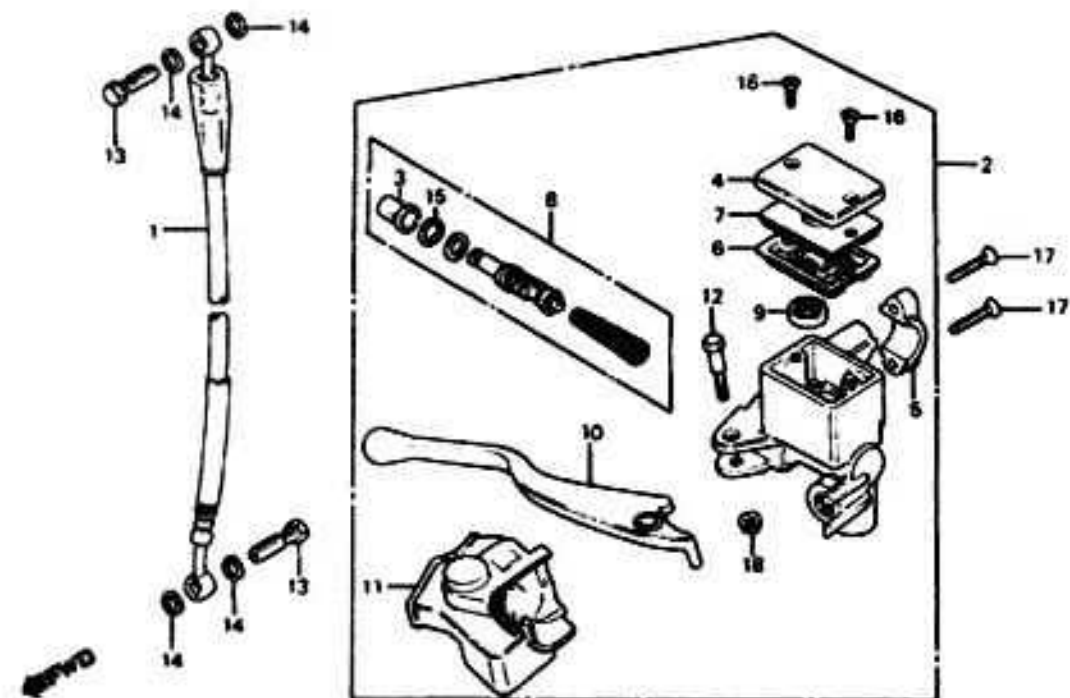
"CAUTION OR WARNING LABELS MUST BE ORDERED SEPARATELY WHEN APPLICABLE"

F14HA5F02

Ref. No.	BLOCK NO. DESCRIPTION	FRAME SERIAL NUMBER		QTY REQ	PART NUMBER	HONDA CODE
		FROM	TO			
5 = ATC350X'85 6 = ATC350X'86		ATC350X'85	ATC350X'86			
7	CASE, THROTTLE LEVER	5	---	1	04005-HA0-000	2618734
	COVER, THROTTLE CASE	---	6	1	04005-HA0-000	2618734
8	CASE, THROTTLE LEVER	5	---	1	04005-HA0-000	2618734
	CASE, THROTTLE LEVER	---	6	1	04005-HA0-000	2618734
9	ARM COMP., THROTTLE	5	---	1	53144-HA0-000	1810365
	ARM COMP., THROTTLE	5	6	1	53144-HA0-010	2271682
10	LEVER, THROTTLE	5	6	1	53145-HA0-000	1810373
	LEVER, THROTTLE	5	6	1	53145-HA0-770	2420032
11	SPRING, THROTTLE RETURN	5	6	1	53146-HA0-000	1810381
12	HOLDER, THROTTLE CASE	5	6	1	53147-965-000	1409283
13	BUSH, THROTTLE PIVOT	5	6	2	53148-HA0-000	1810399
14	GRIP, HANDLE	5	6	2	53165-958-010	1274620
15	GUARD, HANDLEBAR END	5	6	2	53167-958-680	1274638
16	BRACKET, L. HANDLE LEVER	5	6	1	53172-961-000	1046853

Ref No.	BLOCK NO. DESCRIPTION	FRAME SERIAL NUMBER		QTY REQ	PART NUMBER	HONDA CODE
		FROM	TO			
5 = ATC350X'85 6 = ATC350X'86		ATC350X'85	ATC350X'86			
17	COVER, L. HANDLE LEVER	5	6	1	53177-HA5-000	2022424
18	LEVER, L. HANDLEBAR	5	6	1	53178-965-000	1404300
19	ARM ASSY., PARKING BRAKE	5	6	1	53180-961-010	1085372
20	SPRING, PARKING BRAKE LEVER	5	6	1	53191-961-010	1085380
21	BOLT, WIRE ADJUSTING	5	6	2	53192-268-000	0047258
22	LEVER, PARKING BRAKE LOCK	5	6	1	53192-961-000	1046895
	LEVER, PARKING BRAKE LOCK	5	6	1	53192-965-000	1510163
23	COLLAR, NUMBER BRACKET SETTING	5	6	2	84906-118-000	0248401
24	LABEL, STARTING PROCEDURE (B)	---	6	1	87134-HA5-670	2155430
25	MARK, PARKING BRAKE LEVER	5	6	1	87574-HA5-300	2023257
26	BOLT, HANDLE LEVER PIVOT	5	6	1	90114-961-000	1047356
27	SCREW, PARKING BRAKE LEVER PIVOT	5	6	1	90115-961-000	1047364
28	NUT, FIXING	5	6	2	90321-315-670	0241273
	NUT, FIXING	5	6	2	90321-968-000	1550763
29	WASHER, LOCK, 6MM	5	6	1	90501-HA0-000	1810688
30	WASHER, 9X20	5	6	1	90504-HA0-000	1824606
31	SEAL, DUST, 9X16X5 (ARAI)	5	6	1	91210-HA0-003	1834787
	SEAL, DUST, 9X16X5 (NOK)	5	6	1	91210-HA0-004	1834795
32	GASKET, THROTTLE CASE	5	6	1	91532-HA0-010	2143097
	GASKET, THROTTLE CASE	5	6	1	91532-HA0-020	2271799
33	SCREW, PAN, 4X12	5	---	3	93500-04012-06	0285973
	SCREW, 4X16	---	6	3	93500-04012-06	0285973
	SCREW, PAN, 5X18	5	6	2	93500-05018-06	0486977
34	SCREW, PAN, 5X18	5	6	2	93700-06025-08	0420521
35	SCREW, OVAL, 6X25	5	6	2	93892-05020-07	1078351
36	SCREW-WASHER, 5X20	5	---	2	93892-05020-07	1078351
	SCREW-WASHER, 5X32	---	6	1	93892-05032-07	1672070
37	SCREW-WASHER, 5X32	---	6	1	94002-06000-05	0181032
38	NUT, HEX., 6MM	5	6	1	94050-06000	0471623
39	NUT, FLANGE, 6MM	5	6	1	95700-06025-07	0721076
40	BOLT, FLANGE, 6X25	5	6	2	95701-06025-07	2449122
	BOLT, FLANGE, 6X25	5	6	2		

FRONT BRAKE MASTER CYL

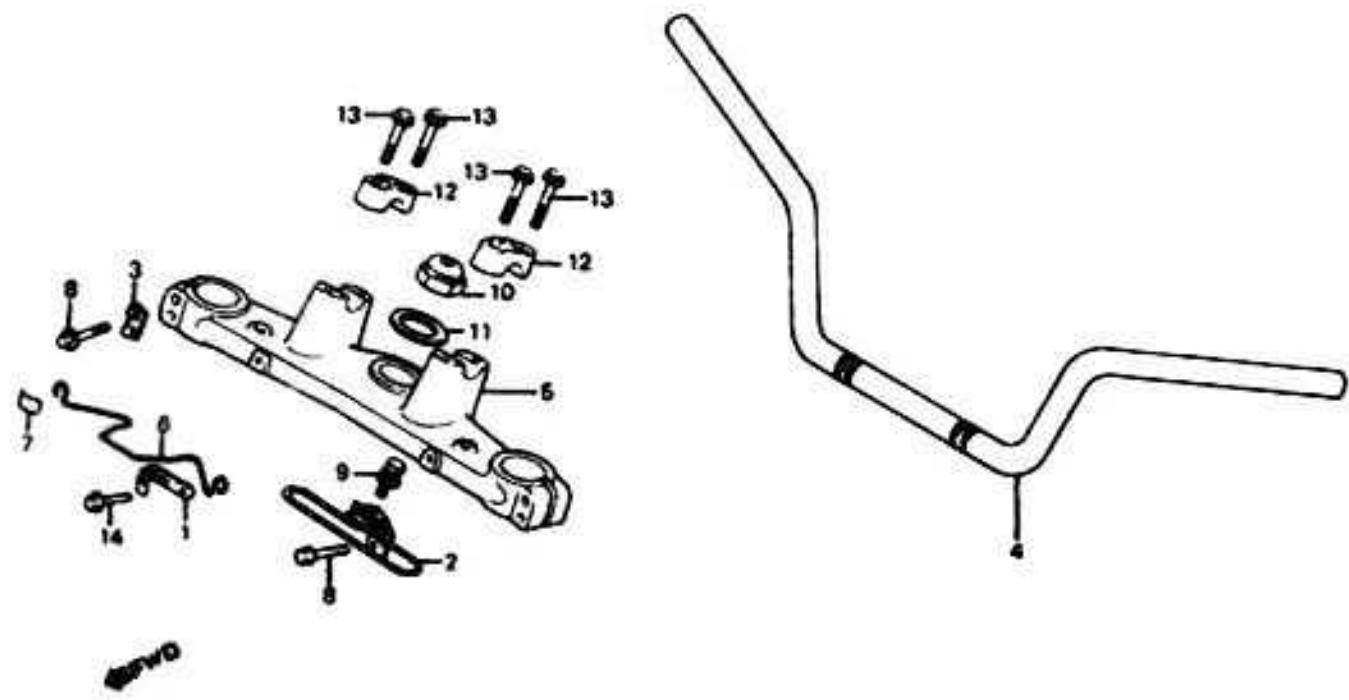


F14HA5F03

Ref. No.	BLOCK NO. DESCRIPTION	F-3	FRAME SERIAL NUMBER		QTY REQ	PART NUMBER	HONDA CODE
			5	6			
	5 = ATC350X'85 6 = ATC350X'86						
1	HOSE ASSY., FR. BRAKE		5	6	1	45126-HA5-003	2021251
2	CYLINDER ASSY., FR. BRAKE MASTER		5	--	1	45500-HA2-006	1828235
	CYLINDER ASSY., FR. MASTER		--	6	1	45500-HA5-671	2149078
3	BOOT COMP.		5	6	1	45504-410-003	1211820
4	CAP, MASTER CYLINDER		5	6	1	45513-HA2-006	1828243
5	HOLDER, MASTER CYLINDER		5	6	1	45517-961-000	1046374
6	DIAPHRAGM		5	6	1	45520-MG7-006	1828250
7	PLATE, DIAPHRAGM		5	6	1	45521-HA2-006	1828268
8	CYLINDER SET, MASTER		5	6	1	45530-471-831	1544543
9	SEPARATOR COMP.		5	6	1	46666-961-013	1066927
10	LEVER, R. HANDLEBAR		5	6	1	53175-961-010	1085364
11	COVER, R. HANDLE LEVER		5	6	1	53176-HA2-006	1828920
12	BOLT, HANDLE LEVER PIVOT		5	6	1	90114-166-006	1047349
13	BOLT, OIL, 10X22		5	6	2	90145-KM3-750	2072775
	BOLT, OIL, 10X22		5	6	2	90145-961-010	1792548
14	WASHER, OIL BOLT		5	6	4	90545-300-000	0189902

Ref. No.	BLOCK NO. DESCRIPTION	F-3	FRAME SERIAL NUMBER		QTY REQ	PART NUMBER	HONDA CODE
			5	6			
	5 = ATC350X'85 6 = ATC350X'86						
15	CIRCLIP		5	6	1	90651-MA5-671	1251404
16	SCREW, FLAT, 4X12		5	6	2	93600-04012-0G	1218601
	SCREW, FLAT, 4X12		5	6	2	93600-04012-1G	1237346
17	SCREW, OVAL, 6X25		5	6	2	93700-06025-0B	0420521
18	NUT, FLANGE, 6MM		5	6	1	94050-06000	0471623

HANDLEBAR • TOP BRIDGE



5 = ATC350X'85
6 = ATC350X'86

Ref. No. BLOCK NO. F-4
DESCRIPTION

ATC350X'85
ATC350X'86
FRAME SERIAL NUMBER
FROM TO

QTY REQ

PART NUMBER HONDA CODE

11	WASHER, STEERING STEM	5	--	-----	-----	1	90503-KK0-000	1707637
	WASHER, STEERING STEM	--	6	-----	-----	1	90503-HA2-670	2084671
12	HOLDER B1, HANDLEBAR UPPER	5	--	-----	-----	2	95014-22100	0301713
	HOLDER B2, HANDLEBAR UPPER	--	6	-----	-----	2	95014-22200	0265249
13	BOLT, FLANGE, 8X35	5	--	-----	-----	4	95700-08035-02	1938554
	BOLT, FLANGE, 8X35	5	--	-----	-----	4	95701-08035-02	3362282
	BOLT, FLANGE, 8X36	--	6	-----	-----	4	90111-362-000	0338293
14	BOLT, FLANGE, 6X12	5	6	-----	-----	2	96300-06012-08	2132587
	BOLT, FLANGE, 6X12	5	6	-----	-----	2	96500-06012-08	2024214

"CAUTION OR WARNING LABELS MUST BE ORDERED SEPARATELY WHEN APPLICABLE" F14HA5F04

5 = ATC350X'85
6 = ATC350X'86

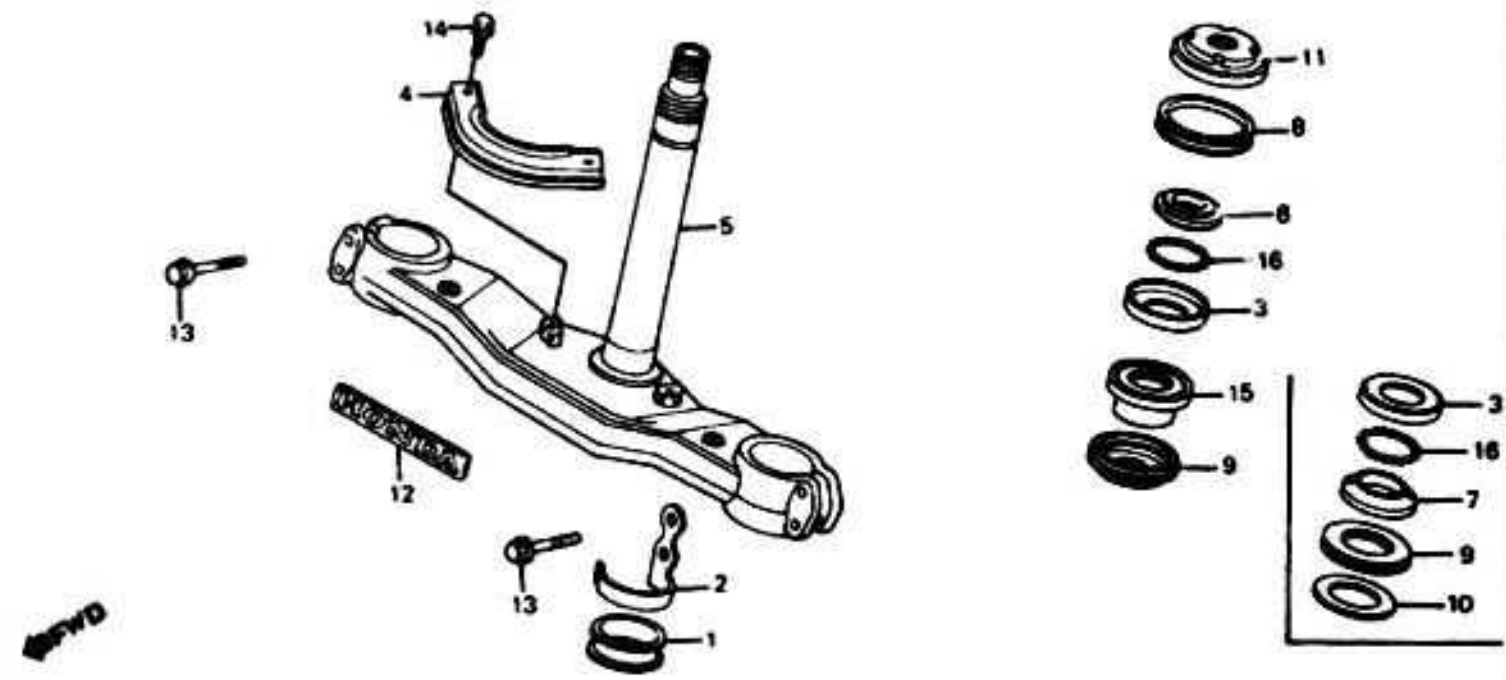
ATC350X'85
ATC350X'86
FRAME SERIAL NUMBER
FROM TO

QTY REQ

PART NUMBER HONDA CODE

1	CLIP B, CLUTCH CABLE	5	6	-----	-----	1	22874-128-000	0318527
2	GUIDE, BRAKE HOSE	5	--	-----	-----	1	45469-HA5-000	2021350
	GUIDE, BRAKE HOSE	5	6	-----	-----	1	45469-HA2-670	2149060
3	HOLDER, HELMET	--	6	-----	-----	1	50715-HA5-670	2149235
4	HANDLEBAR	5	--	-----	-----	1	53100-HA5-000	2022390
	HANDLEBAR	--	6	-----	-----	1	53100-HA5-670	2149318
5	BRIDGE, FORK TOP	5	--	-----	-----	1	53230-HA5-000	2022457
	BRIDGE, FORK TOP	--	6	-----	-----	1	53230-HA5-670	2149342
6	HOLDER, WIRE	5	--	-----	-----	1	61321-HA5-000	2022606
	HOLDER, WIRE	--	6	-----	-----	1	61321-HA5-670	2149383
7	LABEL, HELMET HOLDER	--	6	-----	-----	1	87511-HA2-670	2104503
8	BOLT, FLANGE, 8X40	5	6	-----	-----	4	90107-KF0-000	1419258
9	BOLT-WASHER, 5X12	5	--	-----	-----	1	90111-HA5-000	2031391
	BOLT-WASHER, 5X14	5	6	-----	-----	1	90111-HA2-670	2155497
10	NUT, STEERING STEM	5	--	-----	-----	1	90304-HA5-000	2023646
	NUT, STEERING STEM	--	6	-----	-----	1	90304-KA2-000	1037605

STEERING STEM

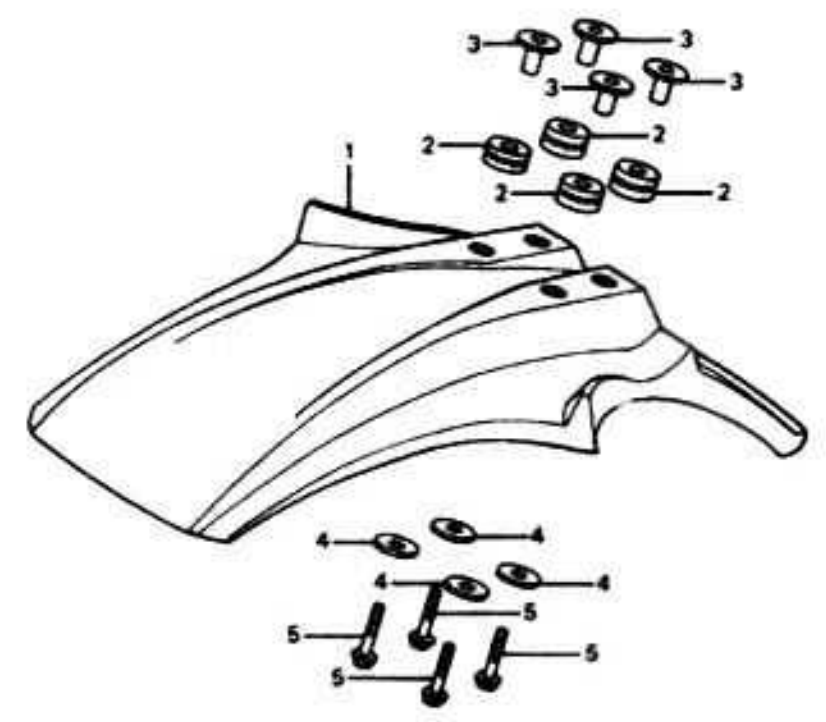


F14HA5F05

Ref. No.	BLOCK NO. DESCRIPTION	FRAME SERIAL NUMBER		QTY REQ	PART NUMBER	HONDA CODE
		FROM	TO			
5 = ATC350X'85 6 = ATC350X'86						
		ATC350X'85	ATC350X'86			
1	INNER, CABLE GUIDE	5	6	1	45466-HA5-000	2021343
2	GUIDE, BRAKE HOSE	5	6	1	45468-HA2-000	1828219
3	RACE, STEERING TOP BALL	5	---	2	50301-268-010	1977669
		---	6	1	50301-268-010	1977669
4	COVER, HANDLE STOPPER	---	6	1	50341-HA5-670	2149136
5	STEM COMP., STEERING	5	---	1	53200-HA5-000	2022432
	STEM COMP., STEERING	5	6	1	53200-HA5-670	2271708
6	RACE, STEERING TOP CONE	5	6	1	53211-268-010	1977677
7	RACE, STEERING LOWER CONE	5	---	1	53212-200-000	0098319
	RACE, STEERING LOWER CONE	5	---	1	53212-200-305	0030163
8	SEAL, HEAD PIPE	5	6	1	53213-961-000	1085406
9	DUST SEAL, STEERING HEAD	5	---	1	53214-200-000	0030197
	DUST SEAL, STEERING HEAD	---	6	1	53214-HA5-671	2149334
10	WASHER, STEERING HEAD DUST SEAL ..	5	---	1	53215-200-000	0030205
11	THREAD COMP., STEERING HEAD TOP ..	5	6	1	53220-965-000	1409465
12	MARK, FR.	5	6	1	87551-965-000	1404581

Ref. No.	BLOCK NO. DESCRIPTION	FRAME SERIAL NUMBER		QTY REQ	PART NUMBER	HONDA CODE
		FROM	TO			
5 = ATC350X'85 6 = ATC350X'86						
		ATC350X'85	ATC350X'86			
13	BOLT, FLANGE, 8X40	5	6	4	90107-KF0-000	1419258
14	BOLT-WASHER, 4X12	---	6	2	90118-HA5-670	2149607
15	BEARING, HEAD PIPE LOWER	---	6	1	91016-HA5-671	2149664
16	BALL, STEEL, #8 (1/4)	5	---	36	96211-08000	0079905
		---	6	18	96211-08000	0079905

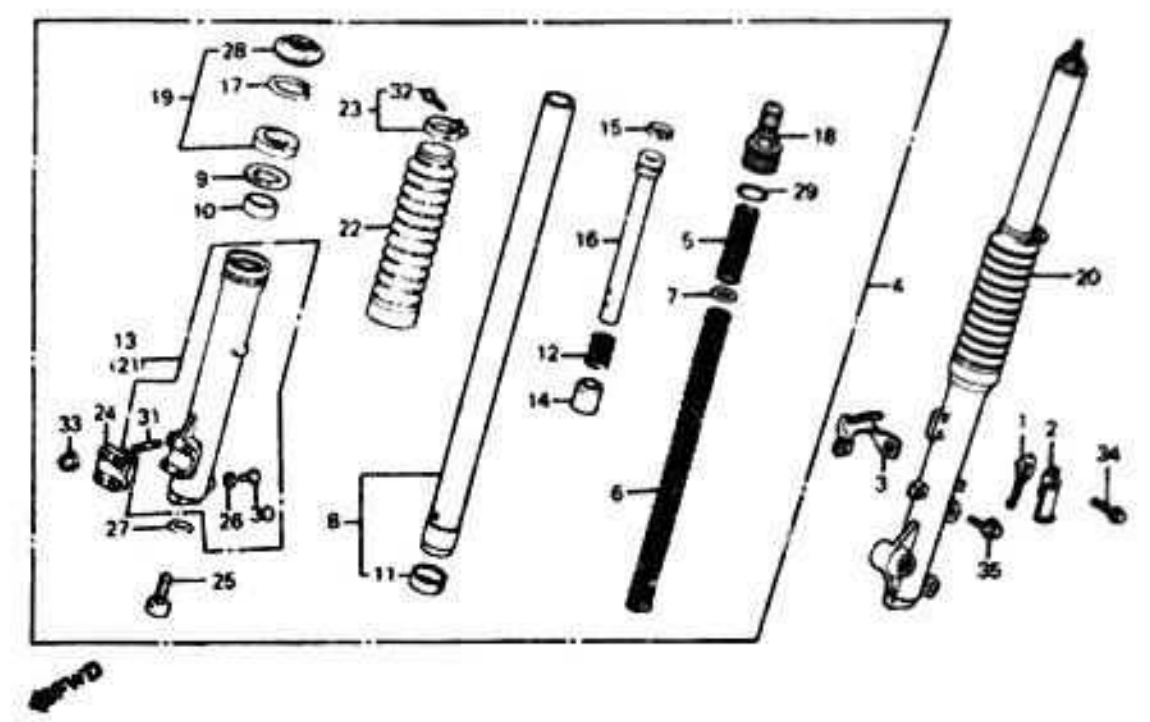
FRONT FENDER



F14HA5F06

Ref. No.	BLOCK NO. DESCRIPTION	FRAME SERIAL NUMBER		QTY REQ	PART NUMBER	HONDA CODE
		FROM	TO			
	5 = ATC350X'85 6 = ATC350X'86	ATC350X'85	ATC350X'86			
		5	6			
1	FENDER, FR.	5	--	1	61100-HA5-000	2022507
	FENDER, FR.	--	6	1	61100-HA5-670	2149367
2	RUBBER, FR. FENDER MOUNTING	5	6	4	61103-430-000	0680678
3	COLLAR, FENDER MOUNTING	5	6	4	61104-444-000	0763946
4	WASHER, 6.5X25X1.5	5	6	4	90404-680-000	1044288
5	BOLT, FLANGE, 6X25	5	6	4	96400-06025-08	2024123

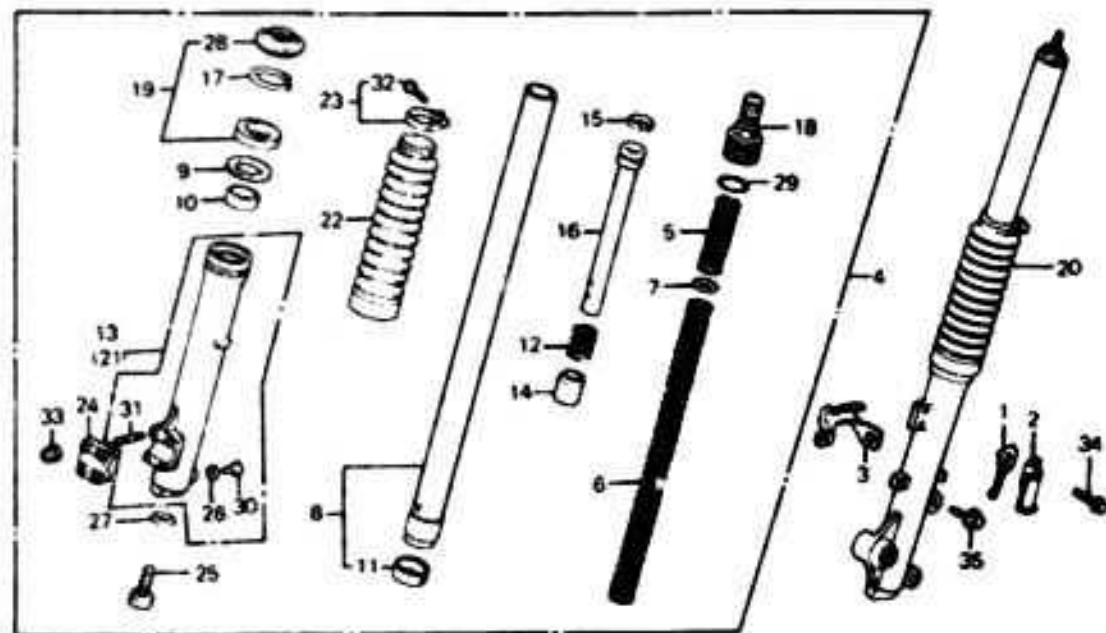
FRONT FORK



F14HA5F07

Ref. No.	BLOCK NO. DESCRIPTION	FRAME SERIAL NUMBER		QTY REQ	PART NUMBER	HONDA CODE
		FROM	TO			
	5 = ATC350X'85 6 = ATC350X'86	ATC350X'85	ATC350X'86			
		5	6			
1	CLAMP A, FR. BRAKE	5	6	1	45461-HA5-000	2021319
2	CLAMP B, FR. BRAKE	5	6	1	45462-HA5-000	2021327
3	CLAMP, FR. BRAKE HOSE	5	6	1	45463-HA5-000	2021335
4	FORK ASSY., R. FR.	5	--	1	51400-HA5-013	2132918
	FORK ASSY., R. FR.	5	6	1	51400-HA5-671	2155299
5	SPRING, FR. FORK (A)	5	6	2	51401-HA5-003	2021905
6	SPRING, FR. FORK (B)	5	6	2	51402-HA5-003	2021921
7	PLATE, SPRING JOINT	5	6	2	51403-430-000	0680207
8	PIPE COMP., FR. FORK	5	6	2	51410-HA5-003	2021947
9	RING, BACK UP	5	6	2	51412-422-003	0874636
	RING, BACK UP	5	6	2	51412-428-305	0960484
	RING, BACK UP	5	6	2	51412-428-315	1034008
10	BUSH, GUIDE	5	6	2	51414-469-003	0874651
11	BUSH, SLIDER	5	6	2	51415-MA6-003	2021962
12	SPRING, REBOUND	5	6	2	51416-461-003	0918664
13	CASE COMP., R. LOWER	5	--	1	51420-HA5-003	2021988

FRONT FORK

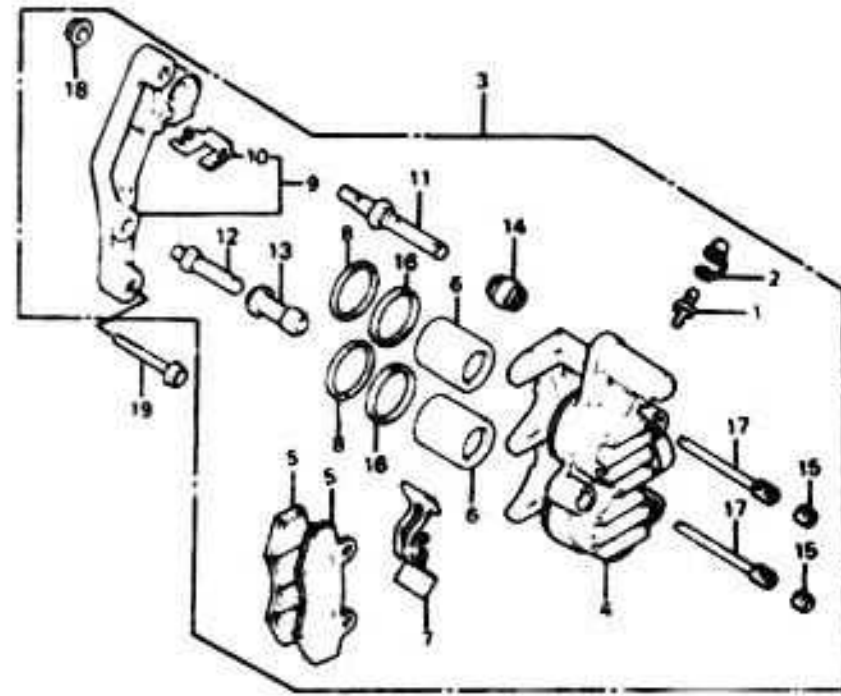


F14HA5F07

Ref. No.	BLOCK NO. DESCRIPTION	F-7	A T C 3 5 0 X 8 5		QTY REQ	PART NUMBER	HONDA CODE
			5	6			
	5 = ATC350X'85 6 = ATC350X'86						
			FRAME SERIAL NUMBER				
			FROM	TO			
13	CASE COMP., R. LOWER		5	6	1	51420-HA5-671	2155315
14	PIECE, OIL LOCK		5	6	2	51432-MA6-003	1212232
15	RING, PISTON		5	6	2	51437-461-003	0918672
16	PIPE, SEAT		5	6	2	51440-HA5-003	2022028
17	CIRCLIP, INTERNAL, 51.5		5	6	2	51447-469-003	0874693
18	BOLT COMP., FR. SHOCK		5	6	2	51450-964-671	1532795
19	SEAL SET, FR. SHOCK		5	6	2	51490-KBH-305	4127106
	SEAL SET, FR. FORK		5	6	2	51490-MA6-305	1851526
	SEAL SET, FR. FORK		5	6	2	51490-MA6-315	1853290
	SEAL SET, FR. FORK		5	6	2	51490-434-305	0960492
20	FORK ASSY., L. FR.		5	6	1	51500-HA5-013	2132926
21	CASE COMP., L. LOWER		5	6	1	51520-HA5-003	2022085
22	BOOT, FR. FORK		5	6	2	51611-HA5-013	2132934
23	BAND, FR. FORK BOOT		5	6	2	51612-434-000	0711259
24	HOLDER, AXLE		5	6	1	51634-MA0-003	1035773
25	BOLT, SOCKET, 8MM (SHOWA)		5	6	2	90116-383-721	0750919

Ref. No.	BLOCK NO. DESCRIPTION	F-7	A T C 3 5 0 X 8 5		QTY REQ	PART NUMBER	HONDA CODE
			5	6			
	5 = ATC350X'85 6 = ATC350X'86						
			FRAME SERIAL NUMBER				
			FROM	TO			
26	GASKET, FR. FORK DRAIN VALVE		5	6	2	90543-273-000	0052209
27	WASHER, SPECIAL, 8MM		5	6	2	90544-283-000	0259457
28	DUST SEAL, 35MM		5	6	2	91254-434-003	0923920
29	O-RING, 25.7X2.8		5	6	2	91356-428-003	0687111
30	BOLT, HEX., 6X8		5	6	2	92000-06008	0054155
	BOLT, HEX., 6X8		5	6	2	92000-06008-0A	0724377
	BOLT, HEX., 6X8		5	6	2	92101-06008-0A	2504868
31	BOLT, STUD, 6X35		5	6	4	92700-06035-0E	0751818
	BOLT, STUD, 6X25		5	6	4	92900-06025-0E	1873249
32	SCREW, PAN, 3X20		5	6	2	93500-03020-0A	0252171
33	NUT, FLANGE, 6MM		5	6	4	94050-06000	0471623
	NUT, U, 6MM		5	6	4	90301-473-003	1187707
34	BOLT, FLANGE, 6X16		5	6	2	96300-06016-00	1829886
	BOLT, FLANGE, 6X16		5	6	2	96500-06016-00	2028942
35	BOLT, FLANGE, 6X20		5	6	1	96300-06020-00	1829894
	BOLT, FLANGE, 6X20		5	6	1	96500-06020-00	2024222

FRONT BRAKE CALIPER I



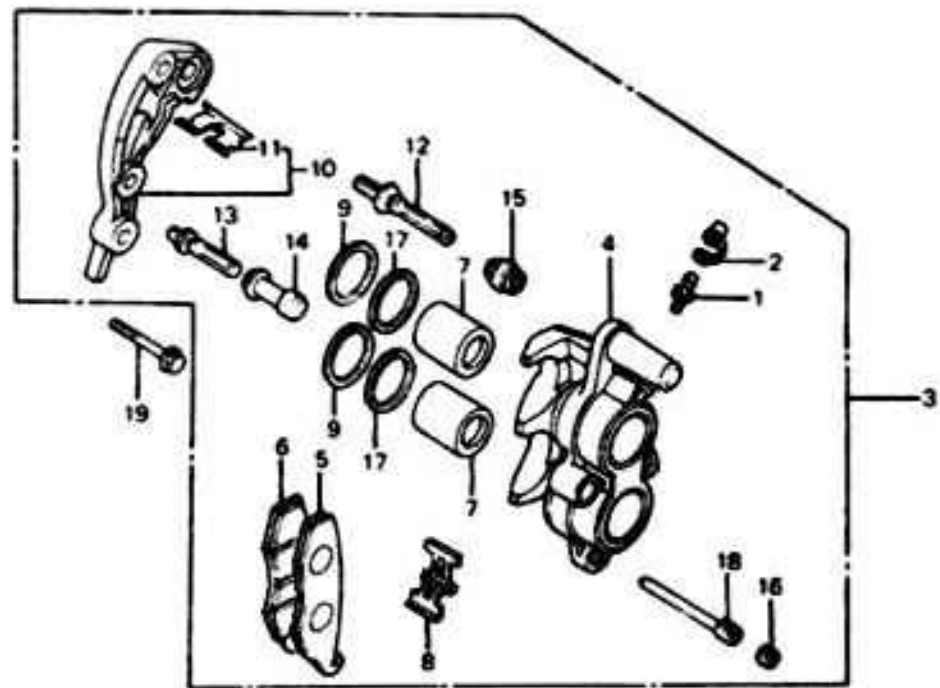
F14HASF08

Ref. No.	BLOCK NO. DESCRIPTION	FRAME SERIAL NUMBER		QTY REQ	PART NUMBER	HONDA CODE
		5	6			
	5 = ATC350X'85 6 = ATC350X'86	ATC350X'85	ATC350X'86			
1	SCREW, BLEEDER	5	--	1	43352-568-003	0505735
2	CAP, BLEEDER SCREW	5	--	1	43353-461-771	0954230
3	CALIPER ASSY., L. FR.	5	--	1	45100-HA5-007	2021194
4	CALIPER COMP., L. FR.	5	--	1	45101-MG3-006	1444587
5	PAD COMP. (SEE KIT P/N--END OF BLOCK)	5	--	2	45105-KA3-731	1552801
6	PISTON	5	--	2	45107-MG3-006	1444603
	PISTON	5	--	2	45107-MG3-016	3797008
7	SPRING, PAD	5	--	1	45108-GE2-006	1447481
8	DUST SEAL	5	--	2	45109-GE2-006	1302264
9	BRACKET COMP., L. FR.	5	--	1	45110-HA5-006	2021228
10	RETAINER	5	--	1	45112-MG3-006	1444629
11	BOLT, PIN (A)	5	--	1	45131-MG3-006	1444660
12	BOLT, PIN	5	--	1	45131-166-016	1046267
13	BUSH, PIN	5	--	1	45132-166-016	1046275
14	BOOT (B)	5	--	1	45133-MA3-006	1012012

Ref. No.	BLOCK NO. DESCRIPTION	FRAME SERIAL NUMBER		QTY REQ	PART NUMBER	HONDA CODE
		5	6			
	5 = ATC350X'85 6 = ATC350X'86	ATC350X'85	ATC350X'86			
15	PLUG, PIN	5	--	2	45203-GE2-006	1828177
	PLUG, PIN	5	--	2	45203-MG3-006	1444678
	PLUG, PIN	5	--	2	45203-MG3-016	3189743
16	SEAL, PISTON	5	--	2	45209-GE2-006	1302306
17	PIN, HANGER	5	--	2	45215-GE2-006	1447515
	PIN, HANGER	5	--	2	45215-GE2-016	3280799
18	NUT, FLANGE, 8MM	5	--	1	94050-08080	0468447
19	BOLT, FLANGE, 8X50	5	--	2	90132-MG3-000	1445279
	BOLT, FLANGE, 8X50	5	--	2	96400-08050-00	2024164
NI	BRAKE PAD KIT	5	--	1	451A0-KA3-731	3211448

FRONT BRAKE CALIPER II

5 = ATC350X'85
6 = ATC350X'86

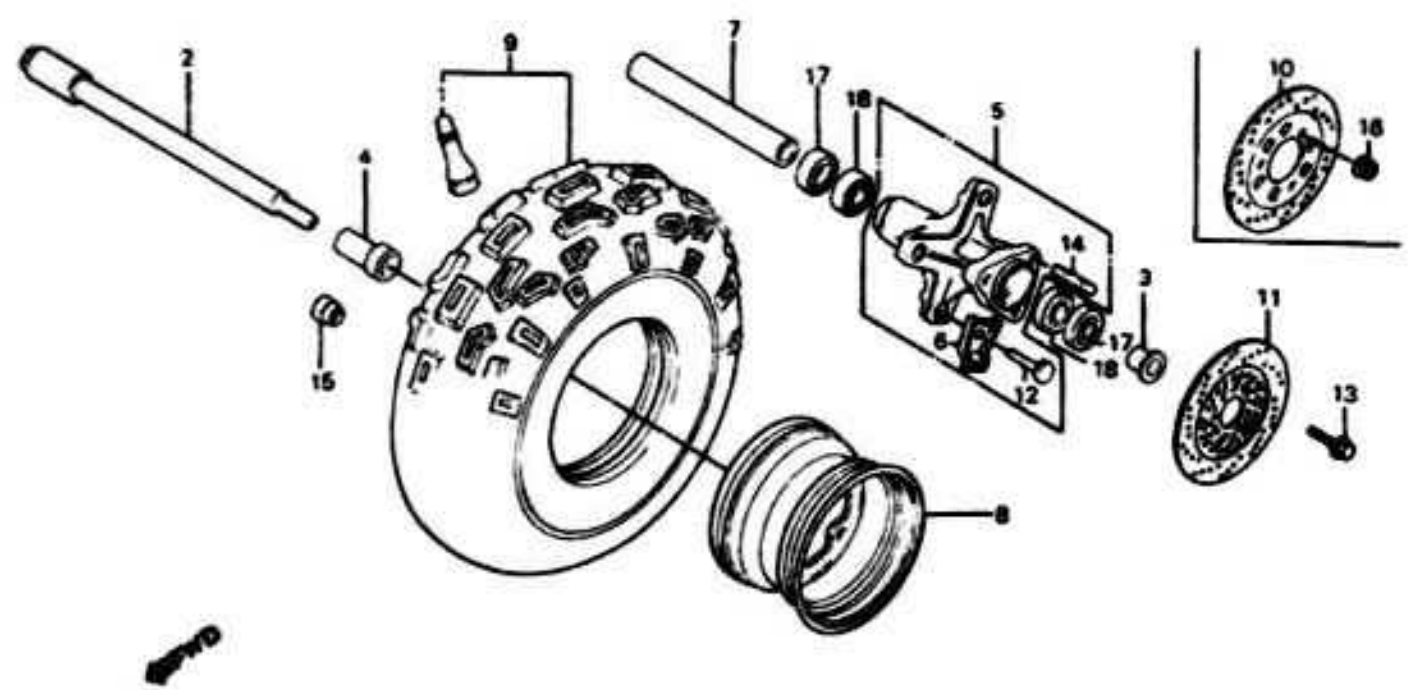


F14HA5F0801

Ref. No.	BLOCK NO. F-8-1 DESCRIPTION	FRAME SERIAL NUMBER		QTY REQ	PART NUMBER	HONDA CODE
		5	6			
	5 = ATC350X'85 6 = ATC350X'86	ATC350X'85	ATC350X'86			
1	SCREW, BLEEDER	--	6	1	43352-568-003	0505735
2	CAP, BLEEDER SCREW	--	6	1	43353-461-771	0954230
3	CALIPER ASSY., L. FR.	--	6	1	45100-HA5-671	2148971
4	BODY, CALIPER	--	6	1	45101-HA5-671	2148989
5	PAD COMP. A (SEE KIT P/N--END OF BLOCK)	--	6	1	45105-HA5-671	2148997
	PAD COMP. A (SEE KIT P/N--END OF BLOCK)	--	6	1	45105-HA5-672	2399244
6	PAD COMP. B (SEE KIT P/N--END OF BLOCK)	--	6	1	45106-HA5-671	2149003
	PAD COMP. B (SEE KIT P/N--END OF BLOCK)	--	6	1	45106-HA5-672	2399251
7	PISTON	--	6	2	45107-MG3-006	1444603
	PISTON	--	6	2	45107-MG3-016	3777008
8	SPRING, PAD	--	6	1	45108-HA5-671	2149011
	SPRING, PAD	--	6	1	45108-MY6-671	4074043
9	DUST SEAL	--	6	2	45109-GE2-006	1302264

Ref. No.	BLOCK NO. F-8-1 DESCRIPTION	FRAME SERIAL NUMBER		QTY REQ	PART NUMBER	HONDA CODE
		5	6			
	5 = ATC350X'85 6 = ATC350X'86	ATC350X'85	ATC350X'86			
10	BRACKET COMP., FR.	--	6	1	45110-HA5-671	2149029
11	RETAINER	--	6	1	45112-HA5-671	2149037
12	BOLT, PIN (A)	--	6	1	45131-HA5-671	2149045
	BOLT, PIN (A)	--	6	1	45131-HA5-672	3254380
13	BOLT, PIN	--	6	1	45131-166-016	1046267
14	BUSH, PIN	--	6	1	45132-166-016	1046275
15	BOOT (B)	--	6	1	45133-MA3-006	1012012
16	PLUG, PIN	--	6	1	45203-MG3-006	1444678
	PLUG, PIN	--	6	1	45203-MG3-016	3189743
17	SEAL, PISTON	--	6	2	45209-GE2-006	1302306
18	PIN, HANGER	--	6	1	45215-HA5-671	2155257
	PIN, HANGER	--	6	1	45215-HA5-672	3214038
19	BOLT, FLANGE, 8X50	--	6	2	90132-MG3-000	1445279
	BOLT, FLANGE, 8X50	--	6	2	96400-08050-00	2024164
NI	BRAKE PAD KIT	--	6	1	451A0-HA5-670	3528924

FRONT WHEEL



F14HASF00

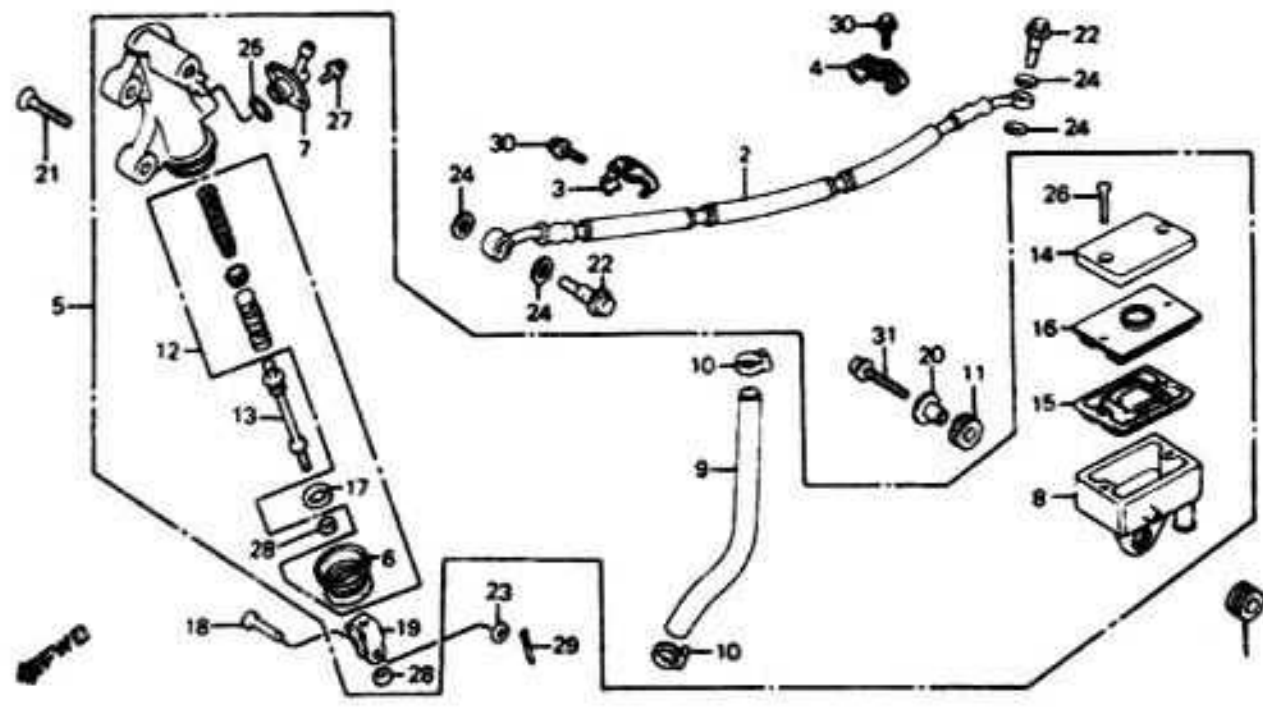
Ref. No.	BLOCK NO. DESCRIPTION	F-9	FRAME SERIAL NUMBER		QTY REQ	PART NUMBER	HONDA CODE
			ATC350X85	ATC350X86			
	5 - ATC350X'85 6 - ATC350X'86						
1	VALVE, RIM (BRIDGESTONE)		5	6	1	42753-6C7-821	1390798
	VALVE, RIM		5	6	1	42753-VM0-003	1769470
2	AXLE, FR. WHEEL		5	6	1	44301-HA2-000	1828060
	AXLE, FR. WHEEL		5	6	1	44301-HA2-670	2083913
3	COLLAR, R. FR. AXLE		5	6	1	44311-HA2-000	1828078
4	COLLAR, L. FR. AXLE		5	6	1	44312-HA2-000	828086
5	HUB COMP., FR. WHEEL		5	--	1	44610-HA5-000	2021145
	HUB COMP., FR. WHEEL		--	6	1	44610-HA5-670	2148930
6	HUB COMP., STOPPER		--	6	2	44613-HA2-670	2033939
7	COLLAR, FR. AXLE CENTER		5	6	1	44621-HA2-000	1828102
8	RIM COMP., FR. WHEEL		5	--	1	44701-HA5-006	2021178
	RIM COMP., FR. WHEEL		--	6	1	44701-HA5-670	2148948
9	TIRE ASSY., FR. (23.5X8.00-11) (OHTSU)		5	--	1	44710-HA5-003	1983238
			--	6	1	44710-HA5-003	1983238
	TIRE ASSY., FR. (23.5X8.00-11) PV101 OHTSU)		5	6	1	44710-HA5-672	2275485

Ref. No.	BLOCK NO. DESCRIPTION	F-9	FRAME SERIAL NUMBER		QTY REQ	PART NUMBER	HONDA CODE
			ATC350X85	ATC350X86			
	5 - ATC350X'85 6 - ATC350X'86						
9	TIRE, WHEEL (23.5X8.00-11)		5	6	1	44710-HA5-672AT	3179314
	TIRE, WHEEL (23.5X8.00-11)		--	6	1	44710-HA5-671	2148955
10	DISK, BRAKE		5	--	1	45121-HA2-000	1828151
11	DISK, L. FR. BRAKE		--	6	1	45251-HA5-670	2155265
12	BOLT, WHEEL, 10X36		5	6	4	90103-HA2-003	1829290
13	BOLT, STUD, 8X22		--	6	3	92900-08022-08	1411610
14	BOLT, STUD, 8X22		5	--	3	90161-HA5-003	2023604
15	NUT, WHEEL CLIP		5	6	4	90304-HA2-003	1829373
16	NUT, FLANGE, 8MM		5	--	3	90309-KF0-003	1420231
	NUT, FLANGE, 8MM		5	--	3	90309-428-731	1001197
17	SEAL, DUST, 23X42X7 (ARAI)		5	6	2	91251-958-003	0842377
	SEAL, DUST, 23X42X7 (NOK)		5	6	2	91251-958-004	0905257
18	BEARING, RADIAL BALL, 6302UU		5	--	2	96150-63020-10	1213347
	BEARING, RADIAL BALL, 6302		--	6	2	91052-KR3-005	2043131

REAR BRAKE MASTER CYL

5 - ATC350X'85
6 - ATC350X'86

ATC350X'85
ATC350X'86

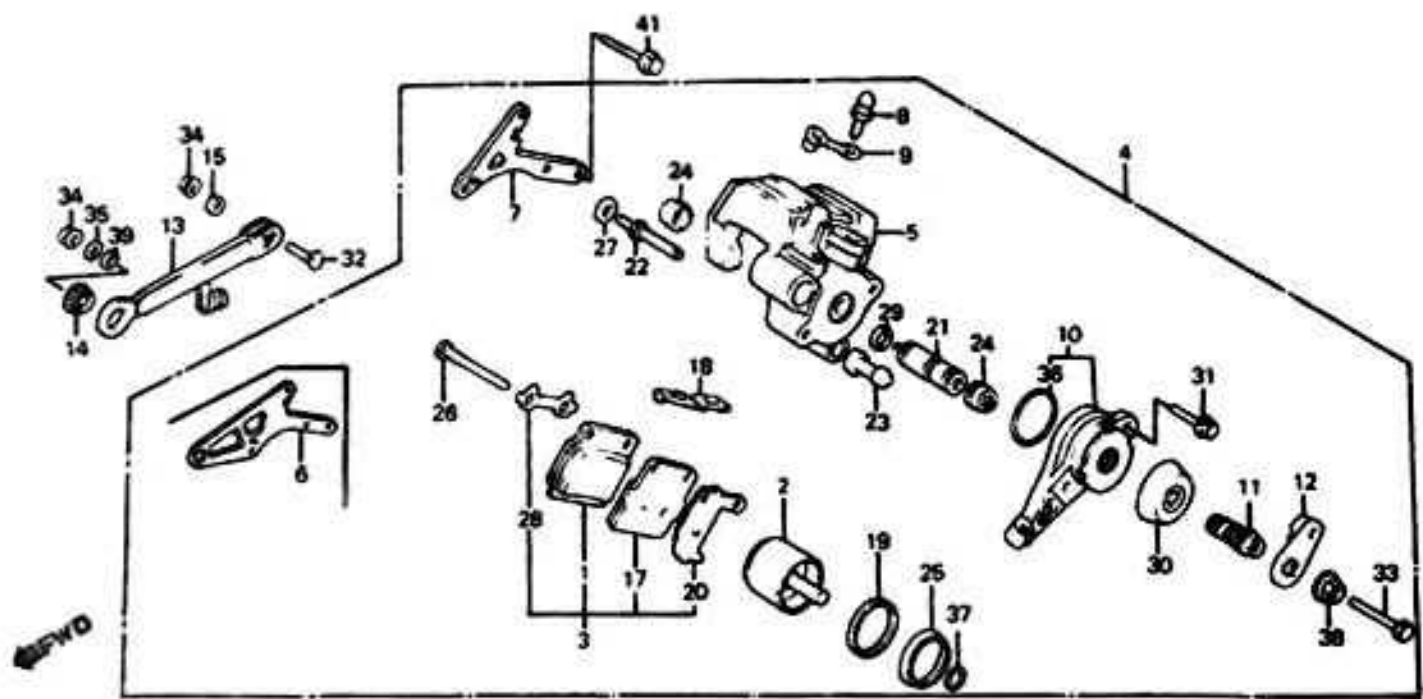


F14HA5F10

Ref No.	BLOCK NO. F-10 DESCRIPTION	ATC350X'85		ATC350X'86		QTY REQ	PART NUMBER	HONDA CODE
		5	6	5	6			
1	RUBBER, TAILLIGHT MOUNTING	5	6	-----	-----	1	33715-965-000	1403468
2	HOSE ASSY., RR. BRAKE	5	---	-----	-----	1	43310-HA5-003	1972447
	HOSE ASSY., RR. BRAKE	---	6	-----	-----	1	43310-HA5-671	2155174
3	CLAMP, BRAKE HOSE	5	---	-----	-----	1	43311-HA5-000	2021004
4	CLAMP, BRAKE HOSE	---	6	-----	-----	2	43311-965-000	1403716
5	CYLINDER ASSY., RR. MASTER	5	---	-----	-----	1	43500-HA5-006	2021111
	CYLINDER ASSY., RR. MASTER	5	---	-----	-----	1	43500-HA5-016	2136166
	CYLINDER ASSY., RR. MASTER	---	6	-----	-----	1	43500-HA5-671	2148898
6	BOOT, MASTER CYLINDER	5	6	-----	-----	1	43504-371-013	0707331
7	CONNECTOR, MASTER CYLINDER	5	---	-----	-----	1	43505-463-006	0883314
	CONNECTOR	---	6	-----	-----	1	43503-HA5-671	2148906
8	CUP COMP., OIL	5	6	-----	-----	1	43511-HA2-016	1960210
9	HOSE, MASTER CYLINDER	5	---	-----	-----	1	43512-HA5-006	2021129
	HOSE, MASTER CYLINDER	5	---	-----	-----	1	43512-HA5-016	2110351
	HOSE, MASTER CYLINDER OIL	---	6	-----	-----	1	43512-HA5-671	2148914
10	CLAMP, MASTER CYLINDER OIL HOSE ..	5	6	-----	-----	2	43514-964-006	1828037

Ref. No.	BLOCK NO. F-10 DESCRIPTION	ATC350X'85		ATC350X'86		QTY REQ	PART NUMBER	HONDA CODE
		5	6	5	6			
11	RUBBER, OIL CUP MOUNTING	5	6	-----	-----	1	43516-HA2-000	1828045
12	CYLINDER SET, MASTER	5	6	-----	-----	1	43520-HA5-305	2021137
13	ROD COMP., PUSH	5	---	-----	-----	1	43530-965-006	1411693
	ROD COMP., PUSH	---	6	-----	-----	1	43530-HA5-671	2148922
14	CAP, MASTER CYLINDER	5	6	-----	-----	1	45513-HA2-006	1828243
15	DIAPHRAGM	5	6	-----	-----	1	45520-MG7-006	1828250
16	PLATE, DIAPHRAGM	5	6	-----	-----	1	45521-HA2-006	1828268
17	CIRCLIP	5	6	-----	-----	1	46182-500-013	0506139
18	PIN, BRAKE ROD	5	6	-----	-----	1	46503-371-000	0407502
19	JOINT, BRAKE ROD	5	6	-----	-----	1	46504-MB2-066	1430149
20	COLLAR, 6.3X13	5	6	-----	-----	1	50324-425-010	0718577
21	BOLT, SPROCKET FIXING	5	6	-----	-----	2	90128-KL4-000	1733963
22	BOLT, OIL, 10X22	5	6	-----	-----	2	90145-KM3-750	2072775
	BOLT, OIL, 10X22	5	6	-----	-----	2	90145-961-010	1792548
23	WASHER, 7X12	5	6	-----	-----	1	90501-310-000	0113654
24	WASHER, OIL BOLT	5	6	-----	-----	4	90545-300-000	0189902
25	O-RING, 14.8X2.4	5	6	-----	-----	1	91212-422-006	0693481
26	SCREW, PAN, 4X30	5	6	-----	-----	2	93600-04030-1A	1422740
27	SCREW-WASHER, 4X12	5	6	-----	-----	2	93893-04012-08	0677989
	SCREW-WASHER, 4X12	5	6	-----	-----	2	93893-04012-18	0954412
28	NUT, HEX., 8MM	5	6	-----	-----	2	94002-08000-0S	0156075
29	PIN, SPLIT, 1.6X15	5	6	-----	-----	1	94201-16150	0058313
	PIN, SPLIT, 1.6X25	5	6	-----	-----	1	94201-16250	0058339
30	BOLT, FLANGE, 6X10	5	---	-----	-----	1	96300-06010-00	1829860
	BOLT, FLANGE, 6X10	---	6	-----	-----	2	96300-06010-00	1829860
	BOLT, FLANGE, 6X10	5	---	-----	-----	1	96500-06010-00	2024198
	BOLT, FLANGE, 6X10	---	6	-----	-----	2	96500-06010-00	2024198
31	BOLT, FLANGE, 6X25	5	6	-----	-----	1	96500-06025-08	2024248

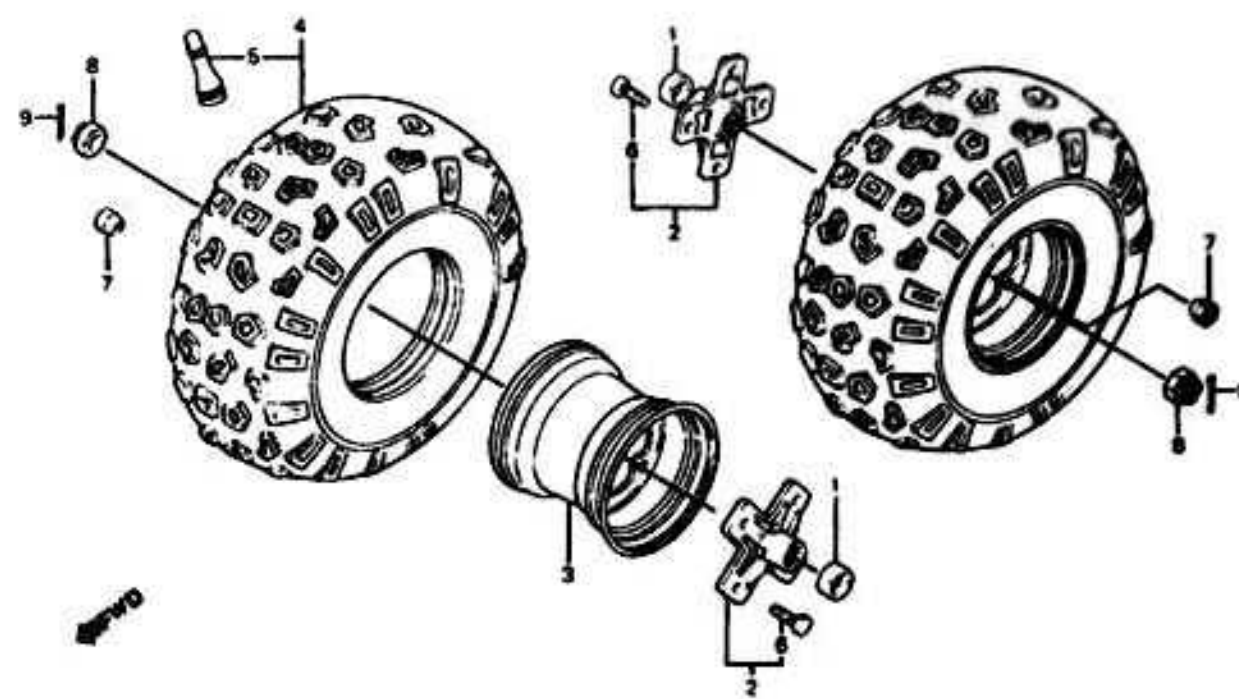
REAR BRAKE CALIPER



F14HA5F11

Ref. No.	BLOCK NO. F-11 DESCRIPTION	ATC350X85		ATC350X86		QTY REQ	PART NUMBER	HONDA CODE
		5	6	FROM	TO			
5	ATC350X'85	5	6	-----	-----	1	94071-08080	0612713
6	ATC350X'86	5	--	-----	-----	1	94111-10000	0059006
41	BOLT, FLANGE, 8X32	5	6	-----	-----	2	96400-08032-07	2024156
NI	BRAKE PAD KIT	5	--	-----	-----	1	431A0-965-000	3211463
	BRAKE PAD KIT	--	6	-----	-----	1	431A0-HA5-670	3211471

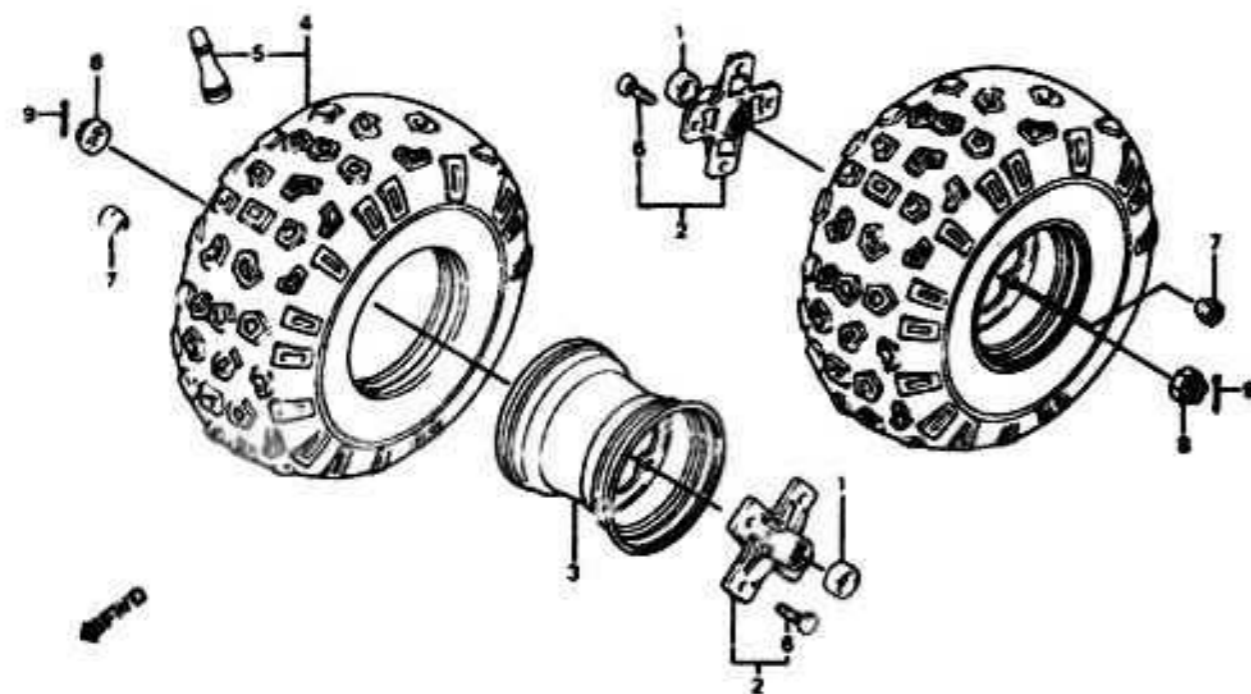
REAR WHEEL



F14HA5F12

Ref. No.	BLOCK NO. F-12 DESCRIPTION	ATC350X85		ATC350X86		QTY REQ	PART NUMBER	HONDA CODE
		5	6	FROM	TO			
5	ATC350X'85	5	6	-----	-----	2	42316-HA2-000	1827757
6	ATC350X'86	5	--	-----	-----	2	42410-HA5-000	2020881
	HUB COMP., RR. WHEEL	--	6	-----	-----	2	42410-HA5-670	2148781
3	RIM COMP., RR. WHEEL	5	--	-----	-----	2	42701-HA5-006	2020923
	RIM COMP., RR. WHEEL	--	6	-----	-----	2	42701-HA5-670	2148799
4	TIRE ASSY., RR. (22X11.00-9) (OHTSU)	5	--	-----	-----	2	42710-HA5-003	1983220
	TIRE ASSY., RR. (22X10-9 OHTSU) ..	5	--	-----	-----	2	42710-HA5-671	2148807
		--	6	-----	GM106551	2	42710-HA5-671	2148807
	TIRE ASSY., RR. (T/L22X10.00-9 P/V701 OHTSU)	5	6	-----	-----	2	42710-HA5-672	2275469
		--	6	-----	GM106551	2	42710-HA5-672	2275469
	TIRE ASSY., RR. (22X10-9 OHTSU) ..	5	6	-----	-----	2	42710-HA5-672AT	3179322
		--	6	-----	GM106551	2	42710-HA5-672AT	3179322
5	VALVE, RIM (BRIDGESTONE)	5	6	-----	-----	2	42753-GC7-821	1390798
	VALVE, RIM	5	6	-----	-----	2	42753-VW0-003	1769470
6	BOLT, WHEEL, 10X36	5	6	-----	-----	8	90103-HA2-003	1829290

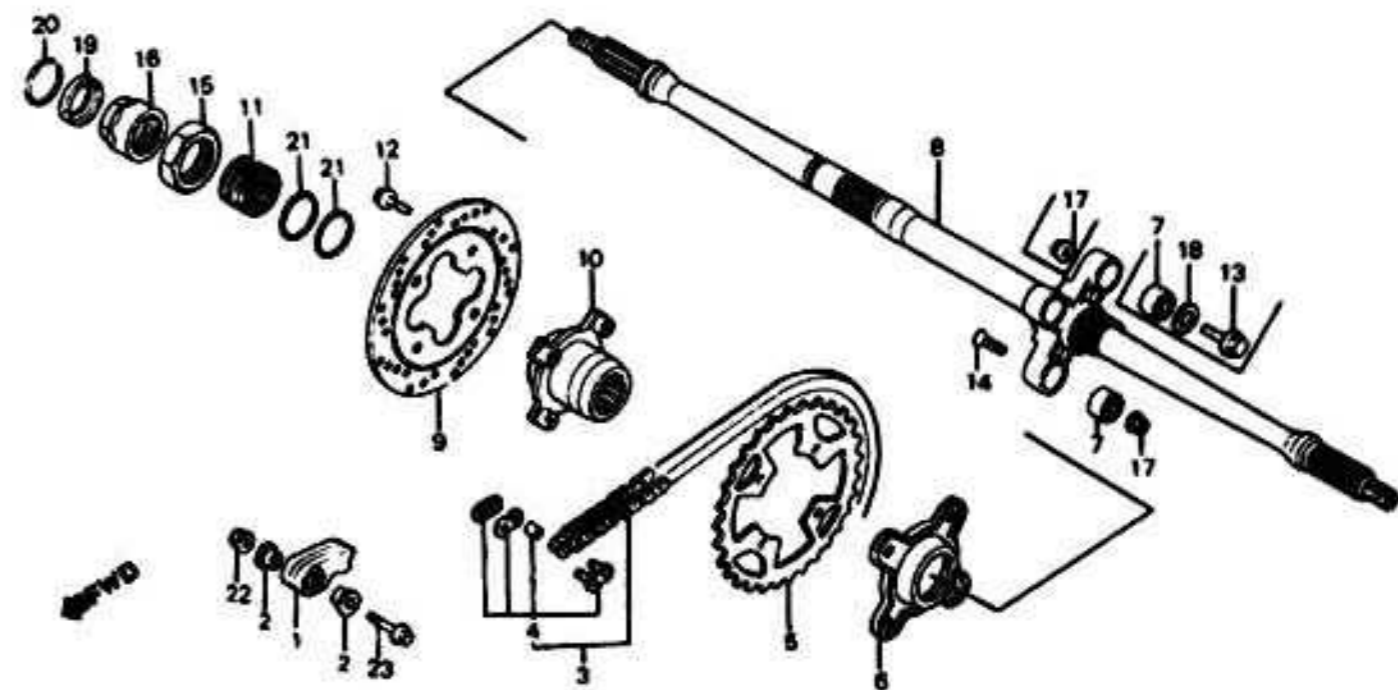
REAR WHEEL



F14HA5F12

Ref. No.	BLOCK NO. F-12 DESCRIPTION	ATC		FRAME SERIAL NUMBER FROM TO	QTY REQ	PART NUMBER	HONDA CODE
		350X85	350X86				
	5 = ATC350X'85 6 = ATC350X'86						
7	NUT, WHEEL CLIP	5	6	-----	8	90304-HA2-003	1829373
8	NUT, AXLE, 20MM	5	--	-----	2	90305-HA0-000	1824424
	NUT, AXLE, 20MM	5	6	-----	2	90305-HA5-670	2149649
9	PIN, SPLIT, 4.0X40	5	6	-----	2	94201-40400	1047679

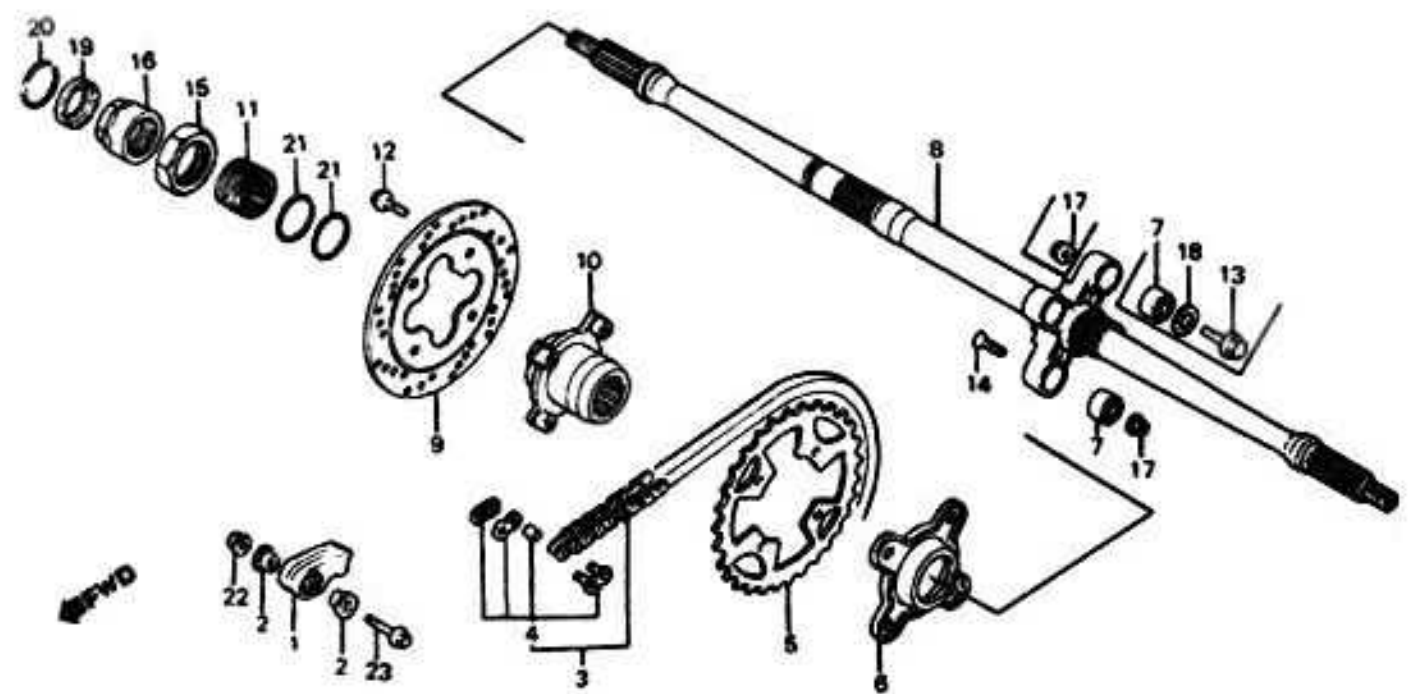
REAR WHEEL AXLE • DRIVE CHAIN



F14HA5F13

Ref. No.	BLOCK NO. F-13 DESCRIPTION	ATC		FRAME SERIAL NUMBER FROM TO	QTY REQ	PART NUMBER	HONDA CODE
		350X85	350X86				
	5 = ATC350X'85 6 = ATC350X'86						
1	GUIDE, DRIVE CHAIN	5	6	-----	1	40513-965-000	1403559
2	COLLAR, CHAIN GUIDE	5	6	-----	2	40514-965-000	1403567
3	CHAIN, DRIVE	5	6	-----	1	405W3-HB9-505	3514965
	CHAIN, DRIVE (90L)	5	6	-----	1	40530-HA5-003	2020758
	CHAIN, DRIVE (RK520WDX88RJ)	5	6	-----	1	40530-HA5-006	2020766
4	JOINT, DRIVE CHAIN	5	6	-----	1	40531-HA5-006	2020774
	JOINT, DRIVE CHAIN	5	6	-----	1	40531-958-671	1275155
	JOINT, DRIVE CHAIN (DAIDO)	5	6	-----	1	40531-961-003	1084748
5	SPROCKET, FINAL DRIVEN	5	--	-----	1	41201-HA5-000	2020782
	SPROCKET, FINAL DRIVEN (40T)	--	6	-----	1	41201-HA5-670	2148765
6	PLATE, CHAIN GUIDE	--	6	-----	1	41211-HA5-670	2148773
7	BUSH, RR. WHEEL DAMPER	5	6	-----	4	41241-HA5-003	2020790
8	AXLE COMP., RR.	5	--	-----	1	42310-HA5-000	2020873
	AXLE COMP., RR.	5	6	-----	1	42310-HA5-010	2062289
9	DISK, BRAKE	5	--	-----	1	43122-HA5-000	2020931
	DISK, R. RR. BRAKE	5	6	-----	1	43251-HA5-670	2148872

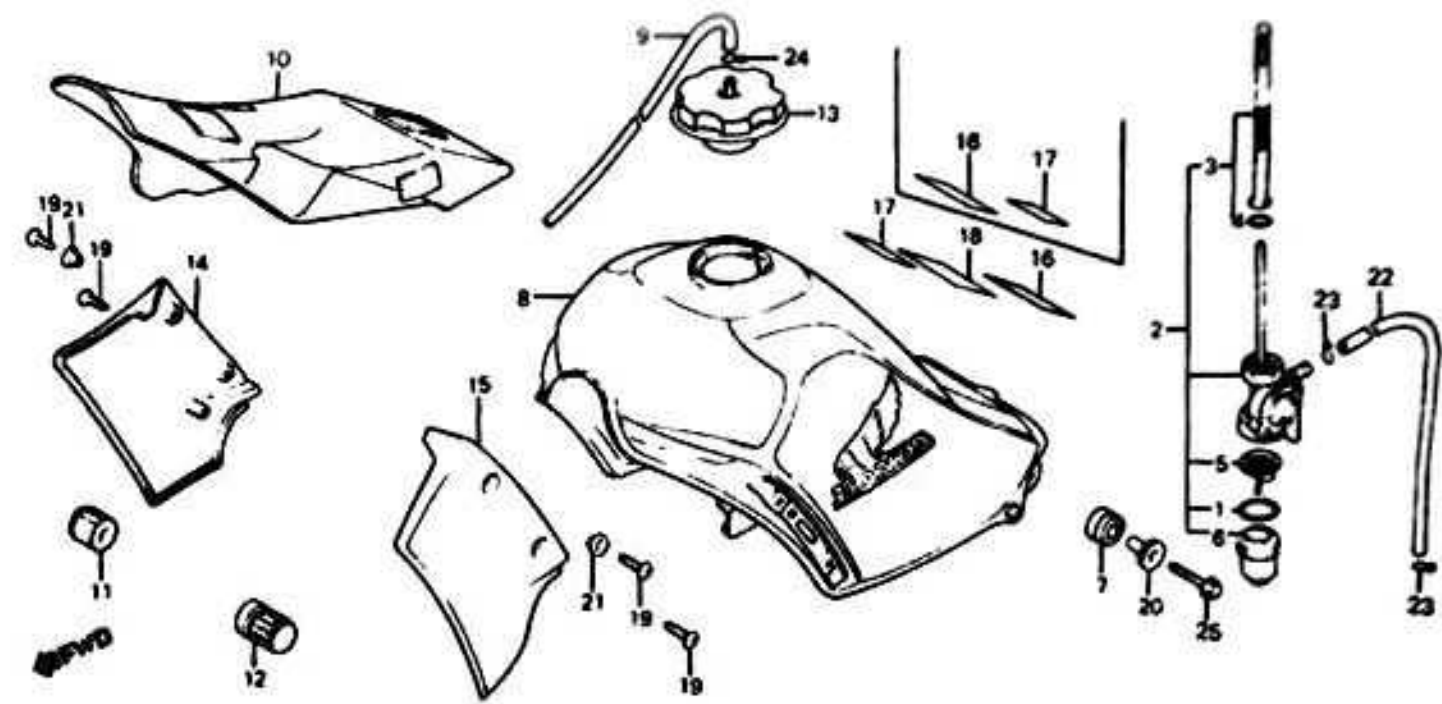
REAR WHEEL AXLE • DRIVE CHAIN



F14HA5F13

Ref. No.	BLOCK NO. F-13 DESCRIPTION	FRAME SERIAL NUMBER		QTY REQ	PART NUMBER	HONDA CODE
		ATC350X85 5	ATC350X86 6			
	5 = ATC350X'85 6 = ATC350X'86					
10	FLANGE COMP., BRAKE DISK	5	6	1	43125-HA5-000	2020949
11	BOLT, RR. AXLE	5	6	1	43127-HA2-000	1827880
12	BOLT, UBS, 8X18	5	6	4	90112-HA5-000	2023448
13	BOLT, FLANGE, 10X38	5	--	4	90114-HA5-000	2023463
14	BOLT, SPROCKET FIXING	--	6	4	90114-HA5-670	2149599
15	NUT, RR. AXLE SPECIAL	5	6	1	90307-HA2-000	1829399
	NUT A, RR. AXLE	5	6	1	90307-HB9-000	2303048
16	NUT B, AXLE	5	6	1	90308-HA2-000	1829407
17	NUT, FLANGE, 10MM	5	6	4	90308-382-670	0426056
18	WASHER, 10X27	5	--	4	90502-HA5-000	2023729
19	WASHER, AXLE NUT	5	6	1	90530-HA2-000	1829506
20	CLIP, EXTERNAL, 37MM	5	6	1	90652-HA2-000	1829522
21	O-RING, 39.6X1.3 (NOK)	5	6	2	91351-HA2-005	1829704
	O-RING, 39.7X1.3	5	6	2	91351-HA5-003	2023943
22	NUT, FLANGE, 8MM	5	6	1	94050-08000	0481143
23	BOLT, FLANGE, 8X40	5	6	1	96300-08040-00	1830009

FUEL TANK

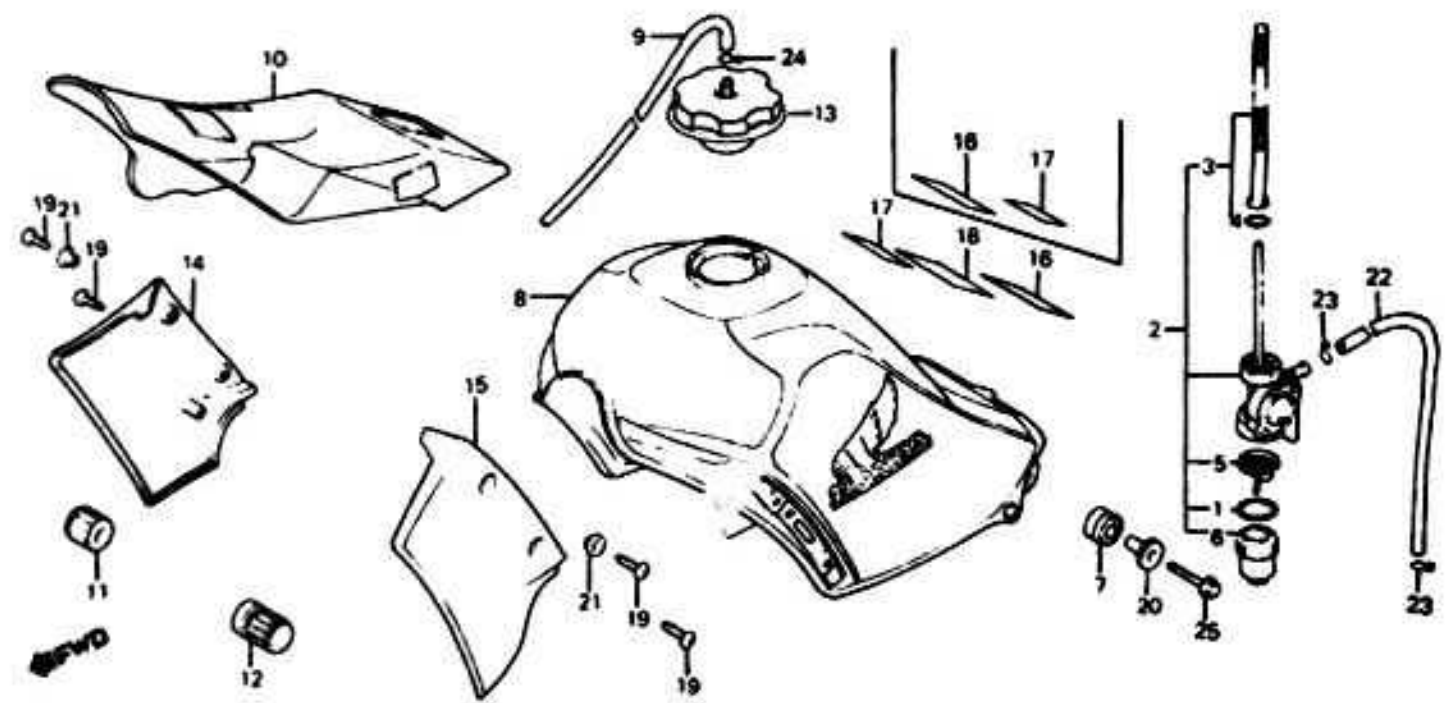


"CAUTION OR WARNING LABELS MUST BE ORDERED SEPARATELY WHEN APPLICABLE"

F14HA5F14

Ref. No.	BLOCK NO. F-14 DESCRIPTION	FRAME SERIAL NUMBER		QTY REQ	PART NUMBER	HONDA CODE
		ATC350X85 5	ATC350X86 6			
	5 = ATC350X'85 6 = ATC350X'86					
1	GASKET SET, VALVE	5	6	1	16080-898-631	1176726
	GASKET, FUEL STRAINER CUP	5	6	1	16173-001-004	0005652
	GASKET, FUEL STRAINER CUP	5	6	1	16955-283-000	0076752
	GASKET, CUP	5	6	1	16958-011-000	0006197
	GASKET, CUP	5	6	1	16958-028-000	0014803
2	VALVE ASSY., FUEL	5	6	1	16950-HA5-005	2017721
3	SCREEN SET, FUEL STRAINER	5	6	1	16952-HA5-005	2017762
	SCREEN SET, FUEL STRAINER	5	6	1	16952-449-751	0962423
4	O-RING, 10.6X1.3	5	6	1	16195-657-300	0574988
	O-RING	5	6	1	16958-MA1-731	1224161
5	FILTER, CUP	5	6	1	16959-471-831	1073212
6	CUP, FUEL STRAINER	5	6	1	16967-MA2-771	1224179
7	RUBBER, FUEL TANK SETTING	5	6	2	17513-HA5-000	2018208
8	TANK SUB ASSY., FUEL *NH23* (LEMMING GRAY)	5	--	1	17520-HA5-000ZB	2832731

FUEL TANK

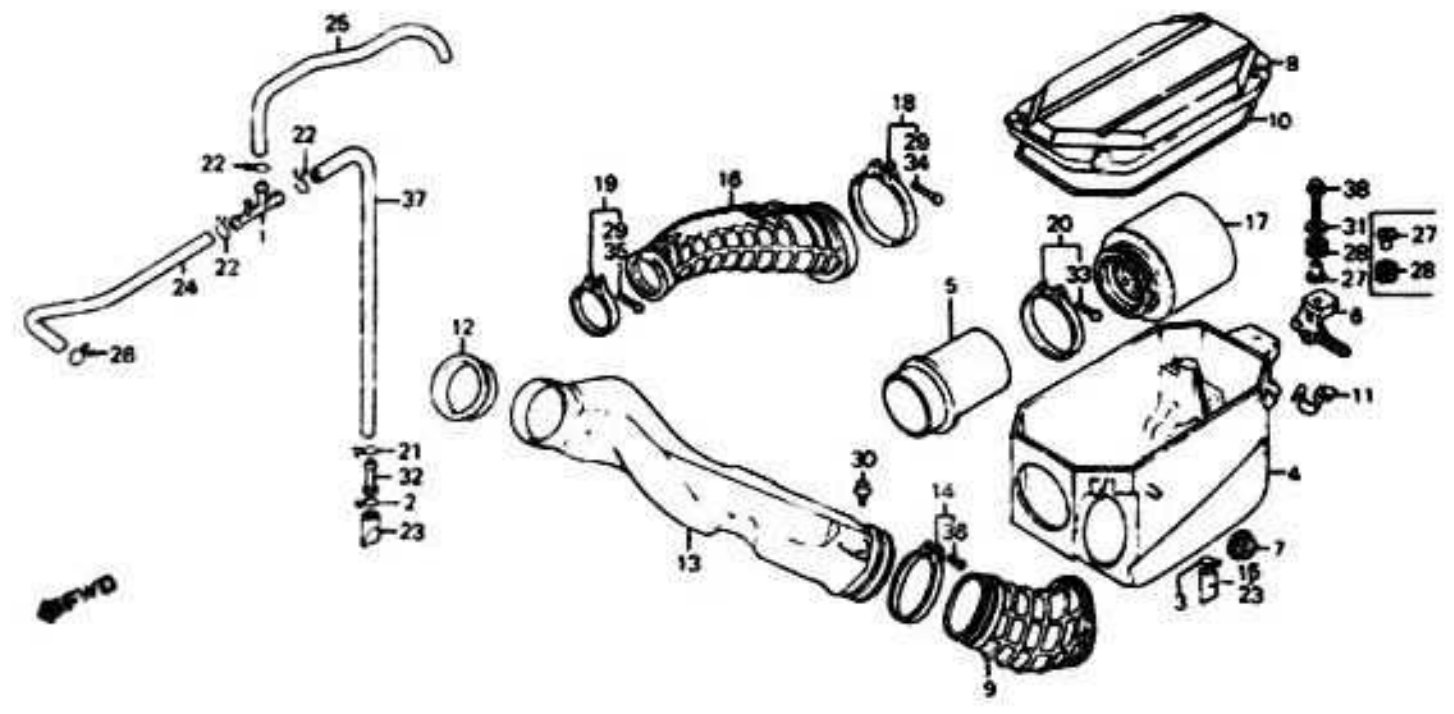


"CAUTION OR WARNING LABELS MUST BE ORDERED SEPARATELY WHEN APPLICABLE" F14HA5F14

Ref. No.	BLOCK NO. F-14 DESCRIPTION	FRAME SERIAL NUMBER		QTY REQ	PART NUMBER	HONDA CODE
		5	6			
		ATC350X'85	ATC350X'86			
17	LABEL, USE CAUTION	5	--	-----	-----	1 87504-968-680 1877356
	LABEL, USE CAUTION	--	6	-----	-----	1 87504-HA5-670 2209245
18	MARK, DRIVE CAUTION	5	--	-----	-----	1 87504-VM4-770 2077048
	MARK, DRIVE CAUTION	5	--	-----	-----	1 87561-VM6-000 1798271
19	SCREW, PAN, 5X12	5	6	-----	-----	4 90104-964-000 1423714
20	WASHER, TANK SETTING	5	6	-----	-----	2 90505-HA5-000 2023737
21	WASHER, FR. FENDER SETTING	5	6	-----	-----	4 90556-044-000 0132621
22	TUBE, FUEL, 7.3X140 (BULK HOSE: 95001-55008-40M)	5	6	-----	-----	1 95001-75140-40 0962878
23	CLIP, TUBE, B12	5	6	-----	-----	2 95002-02120 0335034
24	CLIP, TUBE, C9	5	6	-----	-----	1 95002-50000 0053447
25	BOLT, FLANGE, 8X25	5	6	-----	-----	2 96300-08025-08 4067161
	BOLT, FLANGE, 8X25	5	6	-----	-----	2 96400-08025-08 2024149

Ref. No.	BLOCK NO. F-14 DESCRIPTION	FRAME SERIAL NUMBER		QTY REQ	PART NUMBER	HONDA CODE
		5	6			
		ATC350X'85	ATC350X'86			
8	TANK SUB ASSY., FUEL *NH138* (SHASTA WHITE)	--	6	-----	-----	1 17520-HA5-670ZA 2148278
9	TUBE, FUEL CAP BREATHER	5	6	-----	-----	1 17530-437-000 0766436
10	PANEL COMP., HEAT	5	6	-----	-----	1 17540-HA5-000 2018299
11	RUBBER, TANK, FR.	5	6	-----	-----	1 17611-437-000 0705079
12	CUSHION, FR. FUEL TANK	5	6	-----	-----	1 17612-HA5-000 2018372
13	CAP COMP., FUEL FILLER	5	--	-----	-----	1 17620-HA5-003 2018406
	CAP COMP., FUEL FILLER	--	6	-----	-----	1 17620-HA5-670 2148294
14	GUIDE, R. AIR *R109* (PASSION RED)	5	--	-----	-----	1 19071-HA5-000ZA 2018810
	GUIDE, R. AIR *R109* (PASSION RED)	5	6	-----	-----	1 19071-HA5-670ZA 2148369
15	GUIDE, L. AIR *R109* (PASSION RED)	5	--	-----	-----	1 19072-HA5-000ZA 2018836
	GUIDE, L. AIR *R109* (PASSION RED)	5	6	-----	-----	1 19072-HA5-670ZA 2148377
16	LABEL, STARTING PROCEDURE	5	6	-----	-----	1 87133-HA5-000 2031375

AIR CLEANER



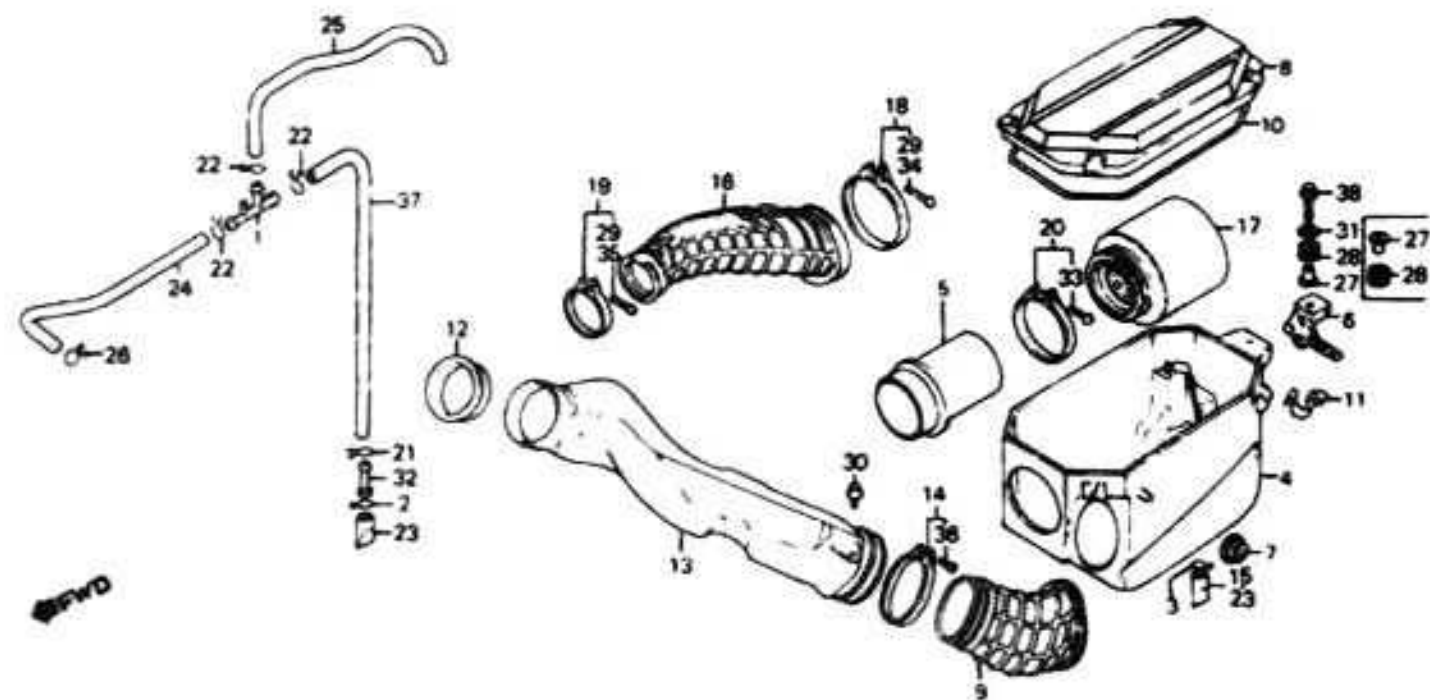
F14HA5F15

5 = ATC350X'85
6 = ATC350X'86

Ref. No.	BLOCK NO. F-15 DESCRIPTION	FRAME SERIAL NUMBER		QTY REQ	PART NUMBER	HONDA CODE
		FROM	TO			
		ATC350X'85	ATC350X'86			
11	SPRING, AIR CLEANER CASE LID	5	6	4	17223-HA5-003	2017929
12	TUBE A, AIR CLEANER IN.	5	6	1	17224-HA5-000	2017937
13	PIPE, AIR CLEANER IN.	5	6	1	17225-HA5-000	2017945
14	BAND, AIR CLEANER IN. TUBE	5	6	1	17226-HA5-000	2017952
15	TUBE, VINYL, 11X15X60	5	6	1	17227-HA5-670	2271443
16	TUBE, AIR CLEANER CONNECTING	5	6	1	17253-HA5-000	2017994
17	FILTER, AIR ELEMENT, AIR CLEANER	5	6	1	17254-HA5-000	2018000
18	BAND, CONNECTING TUBE	5	6	1	17256-HA6-000	1973742
19	BAND, CONNECTING TUBE BAND ASSY., ELEMENT SETTING	5	6	1	17256-466-000	0898809
20	BAND B, CONNECTING TUBE	5	6	1	17257-360-700	0385104
21	CLIP, BREATHER TUBE	5	6	1	17316-HA0-000	1885730
22	CLIP, BREATHER TUBE	5	6	3	17316-611-000	0340984
23	TUBE, DRAIN	5	6	2	17358-170-000	0782771
24	TUBE B, BREATHER	5	6	1	17561-HA5-000	2018331
25	TUBE, BREATHER UPPER	5	6	1	17562-HA5-000	2018349
26	CLIP, SUB TANK HOSE	5	6	1	17724-102-700	0290213
27	COLLAR, RADIATOR MOUNTING	5	6	1	19052-KA3-730	1552140
28	RUBBER, FR. FENDER MOUNTING	5	6	1	61103-430-000	0680678
29	SCREW, PAN, 4X20	5	6	2	90106-HA0-680	2088508
30	BOLT, FLANGE, 6MM	5	6	1	90116-ME9-000	1371038
31	WASHER, 6.5X25X1.5	5	6	1	90404-680-000	1044288
32	JOINT, TUBE	5	6	1	91463-393-780	0034147
33	SCREW, PAN, 4X20	5	6	1	93500-04020-0A	0169474
34	SCREW, PAN, 4X20	5	6	1	93500-04020-0G	0338566
35	SCREW, PAN, 4X20	5	6	1	93500-04020-0H	0347922
36	SCREW, PAN, 5X20	5	6	1	93500-05020-0H	0331389

Ref. No.	BLOCK NO. F-15 DESCRIPTION	FRAME SERIAL NUMBER		QTY REQ	PART NUMBER	HONDA CODE
		FROM	TO			
		ATC350X'85	ATC350X'86			
1	JOINT, BREATHER	5	6	1	15772-HA5-000	2017440
2	CLIP, BREATHER TUBE	5	6	1	15772-292-010	0142885
3	CLIP, BREATHER TUBE	5	6	1	15772-500-010	0346569
	CLIP, BREATHER TUBE	5	6	1	15772-500-013	0484089
4	CASE, AIR CLEANER	5	6	1	17210-HA5-000	2017846
	CASE, AIR CLEANER	5	6	1	17210-HA5-670	2148211
5	BODY COMP., AIR CLEANER	5	6	1	17211-HA5-000	2017853
	BODY COMP., AIR CLEANER	5	6	1	17211-HA5-670	2148229
6	NUT, AIR CLEANER CASE	5	6	1	17212-HA5-000	2017861
	NUT, AIR CLEANER CASE SETTING	5	6	1	17212-HA5-670	2154987
7	RUBBER, AIR CLEANER CASE SETTING	5	6	2	17216-HA5-000	2017887
8	LID, AIR CLEANER CASE	5	6	1	17217-HA5-000	2017895
9	TUBE, AIR CLEANER IN.	5	6	1	17218-HA5-000	2017903
10	SEAL, AIR CLEANER COVER	5	6	1	17219-HA2-405	2943017
	SEAL, AIR CLEANER COVER	5	6	1	17219-HA5-000	2017911
11	SPRING, AIR CLEANER CASE LID	5	6	4	17223-HA5-003	2017929

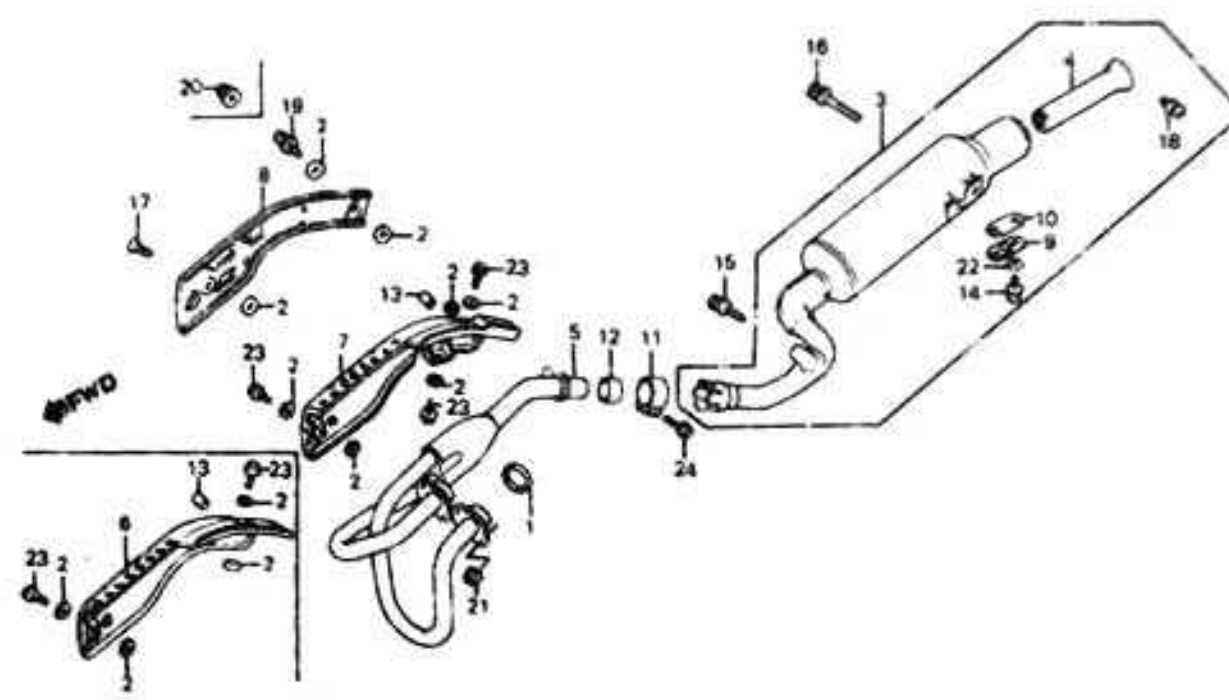
AIR CLEANER



F14HA5F15

Ref. No.	BLOCK NO. F-15 DESCRIPTION	FRAME SERIAL NUMBER		QTY REQ	PART NUMBER	HONDA CODE
		ATC350X85 5	ATC350X86 6			
	5 = ATC350X'85 6 = ATC350X'86					
	37 TUBE, 12X270 (BULK HOSE: 95005-12003-10M)	5	--	1	95005-12270-20	2024040
	TUBE, BREATHER	--	6	1	17563-HA5-670	2148286
	38 BOLT, FLANGE, 6X25	5	6	1	96500-06025-08	2024248

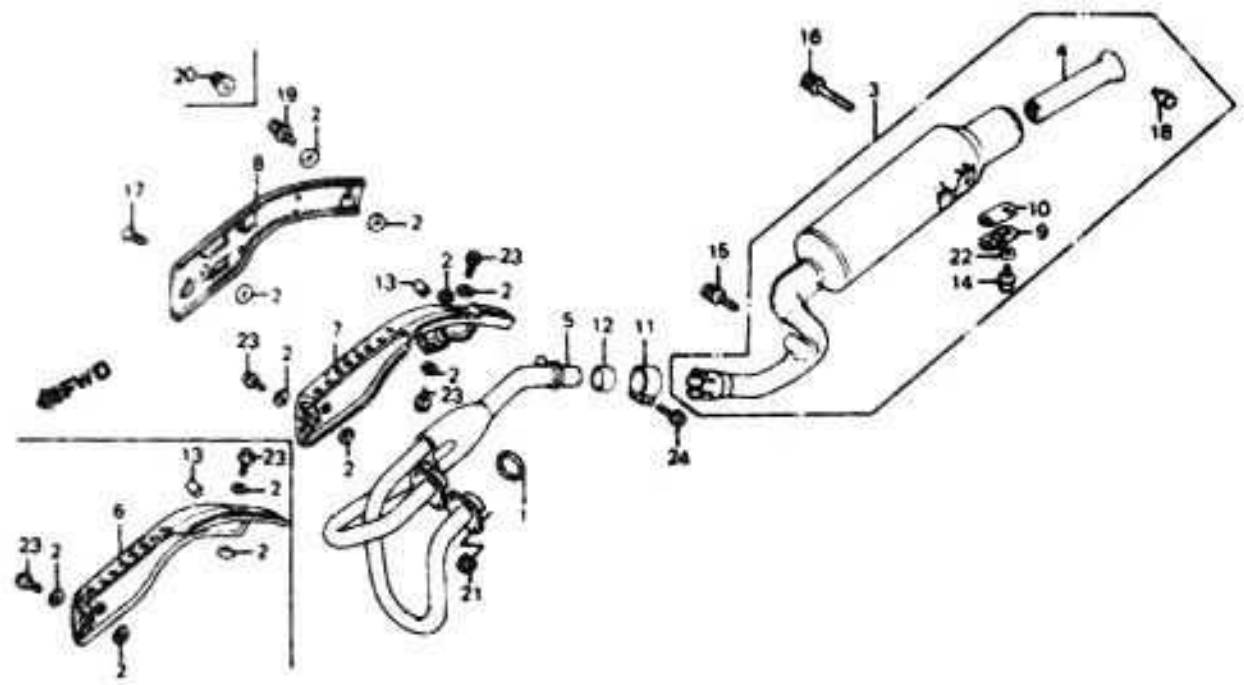
MUFFLER



F14HA5F16

Ref. No.	BLOCK NO. F-16 DESCRIPTION	FRAME SERIAL NUMBER		QTY REQ	PART NUMBER	HONDA CODE
		ATC350X85 5	ATC350X86 6			
	5 = ATC350X'85 6 = ATC350X'86					
	1 GASKET A, EX. PIPE	5	6	2	18291-216-000	0028241
	2 GASKET, PROTECTOR	5	--	7	18292-KF9-900	2977080
	GASKET, PROTECTOR	--	6	8	18292-KF9-900	2977080
	3 MUFFLER COMP.	5	--	7	18292-415-000	0667345
	MUFFLER COMP.	--	6	8	18292-415-000	0667345
	4 PIPE COMP., TAIL	5	6	1	18310-HA5-003	2018471
	5 PIPE COMP., EX.	5	--	1	18310-HA5-670	2148310
	PIPE COMP., EX.	5	6	1	18311-MA0-010	1288067
	6 PROTECTOR, EX. PIPE	5	--	1	18320-HA5-000	2018505
	7 PROTECTOR, EX. PIPE	5	6	1	18320-HA5-670	2148328
	8 COVER, PROTECTOR	5	--	1	18321-HA5-000	2018513
	9 LID, MUFFLER	--	6	1	18321-HA5-670	2148336
	10 GASKET, MUFFLER LID	5	6	1	18322-HA5-000	2018521
	11 BAND, L. MUFFLER	5	6	1	18373-429-010	1267350
		5	6	1	18374-429-000	0785139
		5	6	1	18377-MB0-950	1781459

MUFFLER

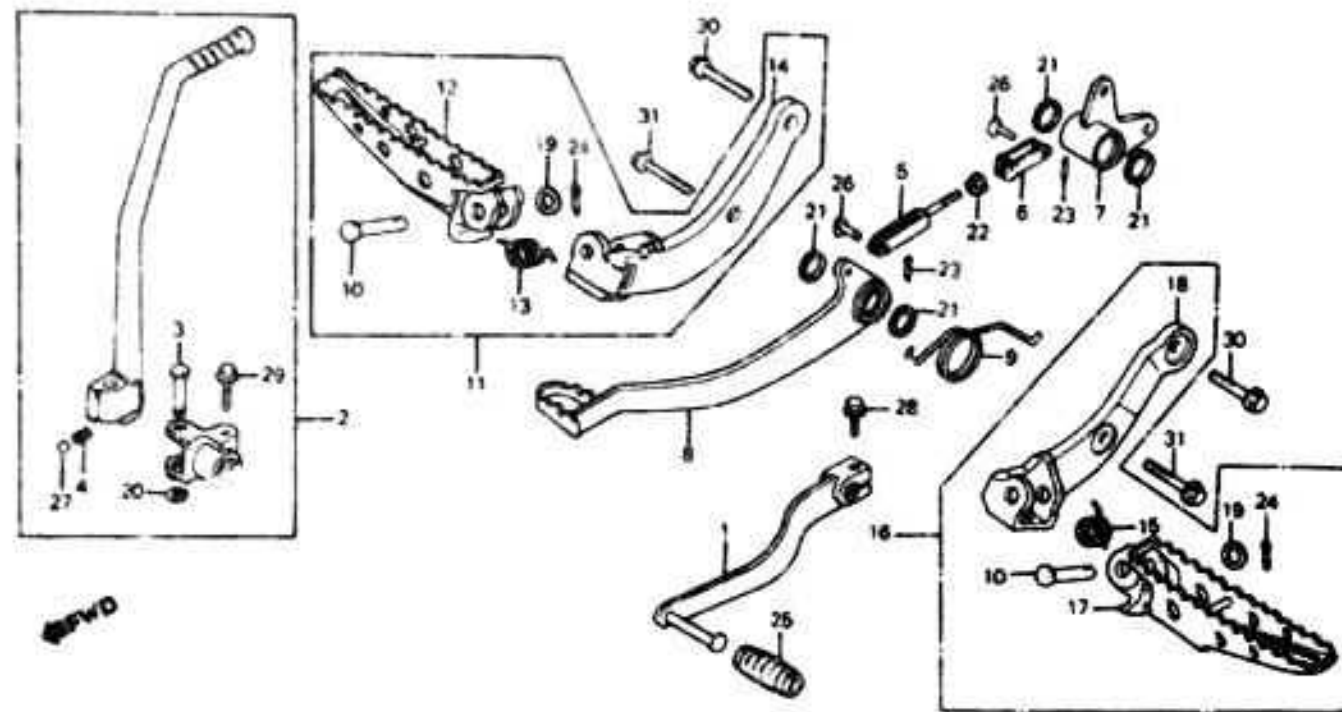


F14HA5F16

5 = ATC350X'85 6 = ATC350X'86		ATC 350X 85	ATC 350X 86	FRAME SERIAL NUMBER		QTY REQ	PART NUMBER	HONDA CODE
Ref No.	BLOCK NO. F-16 DESCRIPTION	5	6	FROM	TO			
	12 GASKET, MUFFLER	5	6	-----	-----	1	18391-317-000	0219170
	GASKET, MUFFLER	5	6	-----	-----	1	18391-317-010	3211349
	13 COLLAR, TOOL BAG PLATE	5	6	-----	-----	1	83503-KA2-680	1088806
	14 BOLT-WASHER, 6X12	5	6	-----	-----	2	93411-06012-07	2504884
	BOLT-WASHER, 6X12	5	6	-----	-----	2	93481-06012-07	0750984
	15 BOLT-WASHER, 8X16	5	---	-----	-----	1	93413-08016-00	4124392
	BOLT-WASHER, 8X16	5	---	-----	-----	1	93483-08016-00	0722330
	BOLT-WASHER, 10X16	---	6	-----	-----	1	93483-10016-00	2149714
	16 BOLT-WASHER, 8X35	5	---	-----	-----	1	93483-08035-00	0487983
	BOLT-WASHER, 10X35	---	6	-----	-----	1	93483-10035-00	2149722
	17 SCREW, OVAL, 6X14	5	6	-----	-----	1	93700-06014-06	2028884
	SCREW, OVAL, 6X14	5	6	-----	-----	1	93700-06014-48	2058956
	18 SCREW-WASHER, 6X12	5	6	-----	-----	2	93891-06012-07	0376863
	19 SCREW-WASHER, 6X16	---	6	-----	-----	1	93891-06016-06	0359794
	SCREW-WASHER, 6X16	---	6	-----	-----	1	93891-06016-07	0358622
	20 NUT, CAP, 6MM	5	---	-----	-----	1	94021-06070-05	0712513

5 = ATC350X'85 6 = ATC350X'86		ATC 350X 85	ATC 350X 86	FRAME SERIAL NUMBER		QTY REQ	PART NUMBER	HONDA CODE
Ref No.	BLOCK NO. F-16 DESCRIPTION	5	6	FROM	TO			
	21 NUT, FLANGE, 8MM	5	---	-----	-----	4	94050-08000	0481143
	NUT, CAP, 8MM	---	6	-----	-----	4	90304-ME1-670	1213156
	22 WASHER, PLAIN, 6MM	5	6	-----	-----	2	94101-06700	0294231
	23 BOLT, FLANGE, 6X12	5	---	-----	-----	2	96300-06012-00	1829878
	BOLT, FLANGE, 6X12	---	6	-----	-----	3	96300-06012-00	1829878
	BOLT, FLANGE, 6X12	5	---	-----	-----	2	96400-06012-00	2060473
	BOLT, FLANGE, 6X12	---	6	-----	-----	3	96400-06012-00	2060473
	BOLT, FLANGE, 6X12	5	---	-----	-----	2	96400-06012-07	2028934
	BOLT, FLANGE, 6X12	---	6	-----	-----	3	96400-06012-07	2028934
	24 BOLT, FLANGE, 8X32	5	6	-----	-----	2	96300-08032-00	1829985
	BOLT, FLANGE, 8X32	5	6	-----	-----	2	96500-08032-00	2024255

STEP • CHANGE PEDAL

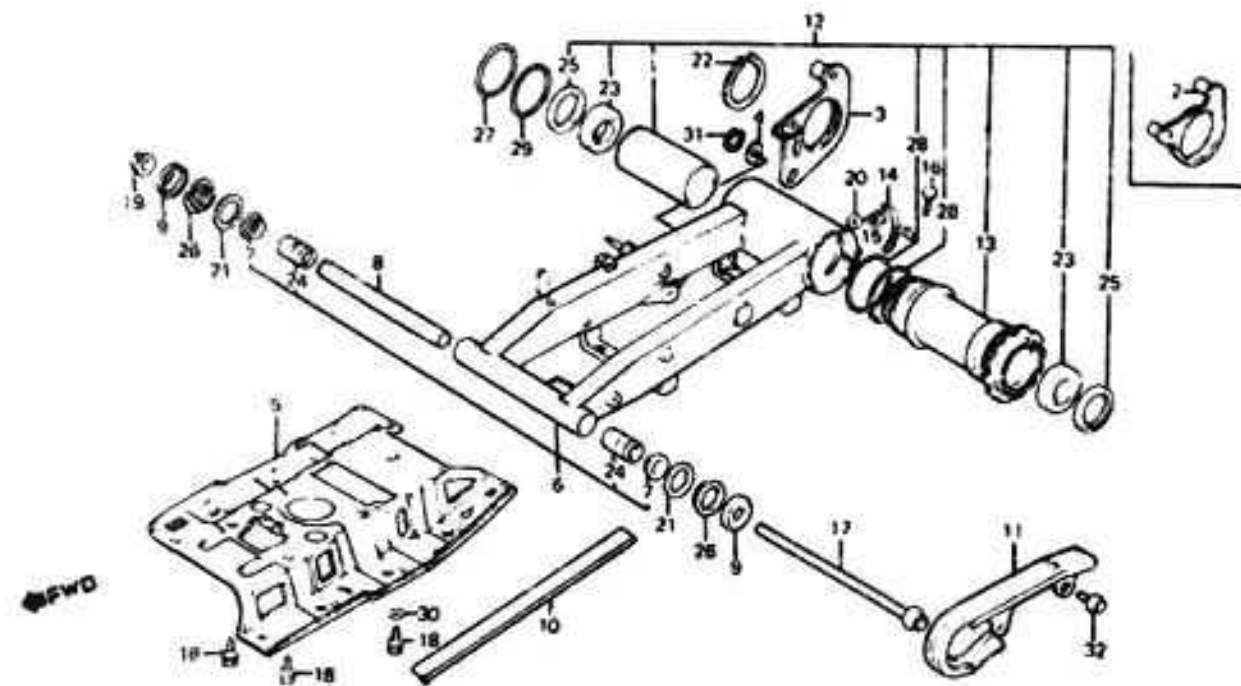


F14HASF17

Ref. No.	BLOCK NO. F-17 DESCRIPTION	ATC350X85		ATC350X86		QTY REQ	PART NUMBER	HONDA CODE
		5	6	5	6			
1	PEDAL, GEAR CHANGE	5	6	---	---	1	24701-HA5-000	2019487
2	ARM ASSY., KICK STARTER	5	6	---	---	1	28300-HA5-000	2019669
3	PIN, KICK STARTER	5	6	---	---	1	28321-HA6-000	1841113
4	SPRING, KICK STARTER STOPPER	5	6	---	---	1	28333-124-000	0381202
5	ROD, RR. BRAKE	5	6	---	---	1	43451-HA5-000	2021061
6	JOINT, BRAKE ROD	5	6	---	---	1	43452-HA5-000	2021087
7	ARM, MIDDLE BRAKE	5	6	---	---	1	46502-HA5-000	2021384
8	PEDAL COMP., BRAKE	5	6	---	---	1	46510-HA5-000	2021400
9	SPRING, BRAKE PEDAL	5	6	---	---	1	46514-HA5-000	2021426
10	PIN, STEP JOINT	5	6	---	---	2	50603-HA5-000	2021756
11	ARM ASSY., R. STEP	5	---	---	---	1	50610-HA5-000	2021764
	ARM ASSY., R. STEP	5	6	---	---	1	50610-HA5-670	2149177
12	STEP COMP., R.	5	---	---	---	1	50611-HA5-000	2021772
	STEP COMP., R.	---	6	---	---	1	50611-HA5-670	2149185
13	SPRING, R. STEP RETURN	5	6	---	---	1	50617-964-000	1423250
14	ARM COMP., R. STEP	5	---	---	---	1	50618-HA5-000	2021798

Ref. No.	BLOCK NO. F-17 DESCRIPTION	ATC350X85		ATC350X86		QTY REQ	PART NUMBER	HONDA CODE
		5	6	5	6			
14	ARM COMP., R. STEP	5	6	---	---	1	50618-HA5-670	2149193
15	SPRING, L. STEP RETURN	5	6	---	---	1	50618-964-000	1532696
16	ARM ASSY., L. STEP	5	---	---	---	1	50640-HA5-000	2021814
	ARM ASSY., L. STEP	---	6	---	---	1	50640-HA5-670	2149201
17	STEP COMP., L.	5	---	---	---	1	50620-HA2-670	2084176
	STEP COMP., L.	5	---	---	---	1	50641-HA5-000	2021830
	STEP COMP., L.	---	6	---	---	1	50641-HA5-670	2149219
18	ARM COMP., L. STEP	5	---	---	---	1	50648-HA5-000	2021855
	ARM COMP., L. STEP	---	6	---	---	1	50648-HA5-670	2149227
19	WASHER, 10.2MM	5	6	---	---	2	90401-430-000	0680918
20	E-RING, 8MM	5	6	---	---	1	90601-473-003	1544824
21	OIL SEAL, 19X25X3	5	6	---	---	4	91206-965-003	1404847
22	NUT, FLANGE, 6MM	5	6	---	---	1	94050-06000	0471623
23	PIN, SPLIT, 1.6X15	5	6	---	---	2	94201-16150	0058313
	PIN, SPLIT, 1.6X25	5	6	---	---	2	94201-16250	0058339
24	PIN, SPLIT, 2.0X15	5	6	---	---	2	94201-20150	0058347
25	RUBBER, GEARSHIFT PEDAL	5	6	---	---	1	95011-40000	0255695
26	PIN B, BRAKE ROD JOINT	5	6	---	---	2	95015-52000	0257774
27	BALL, STEEL, #8 (1/4)	5	6	---	---	1	96211-08000	0079905
28	BOLT, FLANGE, 6X20	5	---	---	---	1	96300-06020-00	1829894
	BOLT, FLANGE, 6X20	5	---	---	---	1	96500-06020-00	2024222
	BOLT, FLANGE, 6X20	---	6	---	---	1	90118-968-000	1550300
29	BOLT, FLANGE, 8X32	5	6	---	---	1	96300-08032-00	1829985
	BOLT, FLANGE, 8X32	5	6	---	---	1	96500-08032-00	2024255
30	BOLT, FLANGE, 10X25	5	6	---	---	2	96500-10025-00	2024271
31	BOLT, FLANGE, 10X40	5	---	---	---	2	96500-10040-00	2024289
	BOLT, FLANGE, 10X40	---	6	---	---	2	96400-10040-00	2084762
	BOLT, FLANGE, 10X50	---	6	---	---	2	96400-10050-00	1830058

SWINGARM

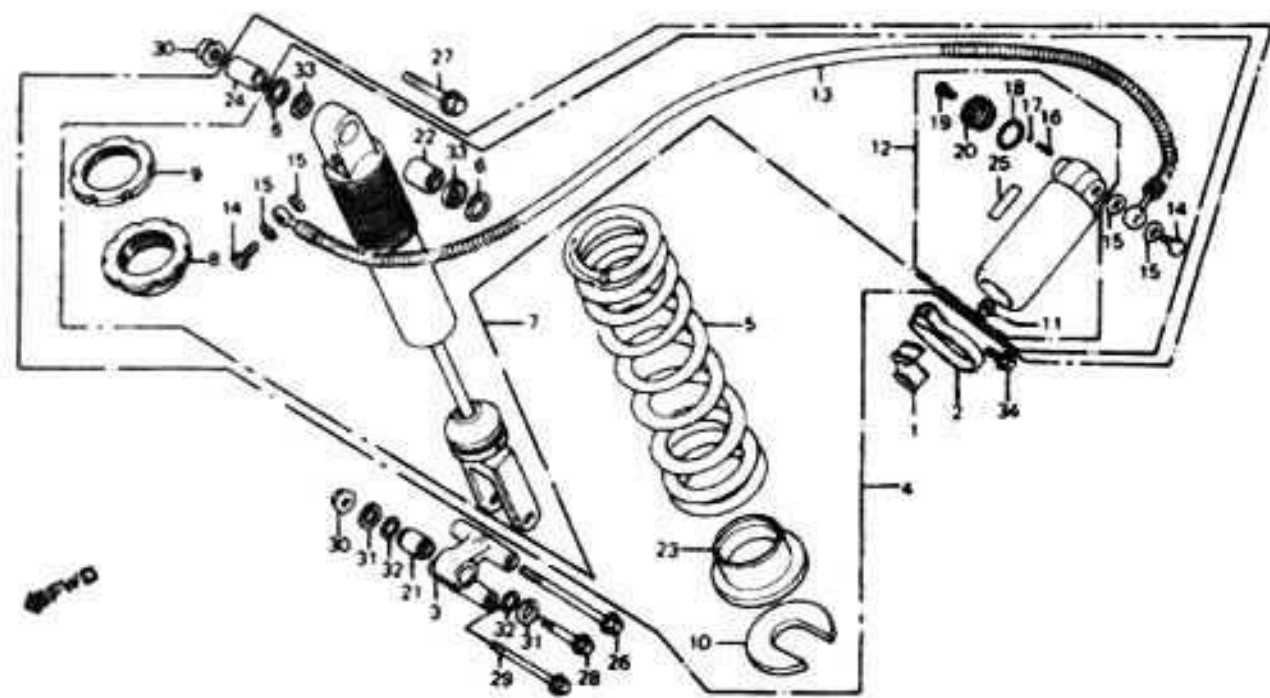


F14HA5F18

Ref. No.	BLOCK NO. F-18 DESCRIPTION	ATC350X85		ATC350X86		QTY REQ	PART NUMBER	HONDA CODE
		5	6	5	6			
5 = ATC350X'85 6 = ATC350X'86								
		FRAME SERIAL NUMBER						
		FROM	TO					
1	COLLAR, RR. AXLE	5	6	-----	-----	1	42621-HA5-000	2020907
2	STAY, RR. CALIPER	5	--	-----	-----	1	43211-HA5-000	2020998
3	STAY, RR. CALIPER	--	6	-----	-----	1	43211-HA5-670	2148856
4	BUSH, RR. BRAKE STAY	--	6	-----	-----	1	43483-HA2-670	2083905
5	PLATE, SKID	5	--	-----	-----	1	50355-HA5-000	2021673
	PLATE, SKID	5	6	-----	-----	1	50355-HA5-670	2149151
6	SWINGARM ASSY., RR. *NH35M* (CLOUD SILVER METALLIC)	5	--	-----	-----	1	52000-HA5-000ZA	2022143
	SWINGARM ASSY., RR.	--	6	-----	GM110531	1	52000-HA5-671	2275766
	SWINGARM ASSY., RR.	--	6	-----	-----	1	52000-HA5-672	2481349
7	BUSH, PIVOT THRUST	5	6	-----	-----	2	52109-KA4-701	1186618
8	COLLAR, RR. SWINGARM PIVOT	5	6	-----	-----	1	52141-HA5-000	2022176
9	CAP, SWINGARM DUST SEAL	5	6	-----	-----	2	52144-HA5-000	2022184
10	SLIDER, SKID PLATE	5	6	-----	-----	1	52156-HA2-000	1828680
	SLIDER, SKID PLATE	5	6	-----	-----	1	52156-HB9-000	2448850
11	SLIDER, CHAIN	5	6	-----	-----	1	52170-HA5-000	2022192

Ref. No.	BLOCK NO. F-18 DESCRIPTION	ATC350X85		ATC350X86		QTY REQ	PART NUMBER	HONDA CODE
		5	6	5	6			
		FRAME SERIAL NUMBER						
		FROM	TO					
12	HOLDER ASSY., BEARING	5	--	-----	-----	1	52200-HA5-000	2022200
	HOLDER ASSY., BEARING	--	6	-----	-----	1	52200-HA5-670	2149276
13	HOLDER, BEARING	5	--	-----	-----	1	52201-HA5-000	2022218
	HOLDER, BEARING	--	6	-----	-----	1	52201-HA5-670	2149284
14	SEAL, BEARING HOLDER	5	6	-----	-----	2	52202-HA2-000	1828730
15	BOLT, STOPPER, 8MM	5	6	-----	-----	1	90115-964-003	1424589
16	BOLT, SOCKET, 8MM	5	6	-----	-----	2	90116-125-782	0857128
17	BOLT, SWING ARM	5	6	-----	-----	1	90117-HA5-000	2023471
18	BOLT, FLANGE, 8X12	5	6	-----	-----	3	90190-MG3-000	1455377
19	NUT, U, 14MM	5	6	-----	-----	1	90305-GE8-003	1397835
20	WASHER, 8MM	5	6	-----	-----	1	90481-035-000	0070938
21	WASHER, PLAIN, 32MM	5	6	-----	-----	2	90551-HA5-000	2023760
22	CIRCLIP, EXTERNAL, 70	5	6	-----	-----	1	90665-964-000	1425438
23	BEARING, 40X62X12	5	6	-----	-----	2	91051-HA2-003	1829589
	BEARING, 40X62X12	5	6	-----	-----	2	91051-HA2-013	2760379
24	BEARING, RR. SWINGARM PIVOT (TOYO)	5	6	-----	-----	2	91071-MA0-003	1028588
25	SEAL, DUST, 52X62X7	5	6	-----	-----	2	91252-HA2-003	1829621
26	DUST SEAL	5	6	-----	-----	2	91253-KA4-701	1188515
	DUST SEAL, 32X36.8X8 (NOK)	5	6	-----	-----	2	91253-KA4-702	1188523
27	O-RING, ROTARY CASE	--	6	-----	-----	1	91351-737-752	1974716
28	O-RING, BEARING HOLDER	5	6	-----	-----	2	91353-HA2-007	1829738
	O-RING, BEARING HOLDER	5	6	-----	-----	2	91353-HA2-005	1829746
29	O-RING, 69X2	--	6	-----	-----	1	91302-MS2-003	3377751
	O-RING, 68.5X2	--	6	-----	-----	1	91355-HA2-670	2155547
	O-RING, 68.5X2	--	6	-----	-----	1	91355-HA2-671	2274298
30	WASHER, PLAIN, 8MM	5	6	-----	-----	1	94103-08000	0876896
31	CIRCLIP, EXTERNAL, 12MM	--	6	-----	-----	1	94510-12000	0112647
32	BOLT, FLANGE, 6X10	5	6	-----	-----	2	96300-06010-00	1829860
	BOLT, FLANGE, 6X10	5	6	-----	-----	2	96500-06010-00	2024198

SHOCK ABSORBER

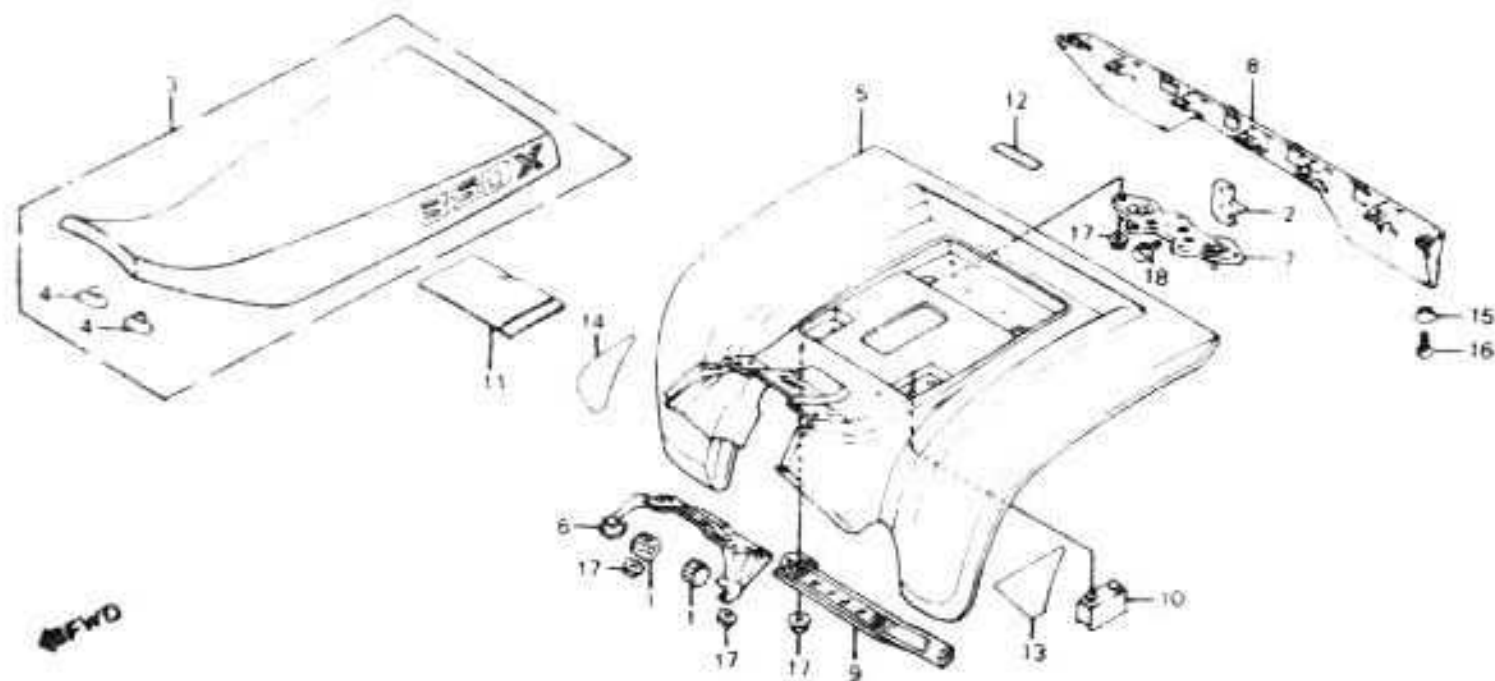


"CAUTION OR WARNING LABELS MUST BE ORDERED SEPARATELY WHEN APPLICABLE" F14HA5F19

Ref. No	BLOCK NO DESCRIPTION	FRAME SERIAL NUMBER		QTY REQ	PART NUMBER	HONDA CODE
		FROM	TO			
5 = ATC350X'85 6 = ATC350X'86		ATC350X'85	ATC350X'86			
1	RUBBER, SUB TANK MOUNTING	5	--	2	50250-HA5-000	2021582
	RUBBER, SUB TANK MOUNTING	--	6	2	50250-HA5-670	2149128
2	BAND, SUB TANK	5	6	2	50252-HA5-000	2021590
3	BRACKET, RR. SHOCK ABSORBER	5	6	1	52105-HA5-000	2022168
4	SHOCK ABSORBER ASSY., RR.	5	--	1	52400-HA5-003	2022226
	SHOCK ABSORBER ASSY., RR. (SHOWA)	--	6	1	52400-HA5-671	2149292
5	SPRING, RR. SHOCK ABSORBER	5	--	1	52401-HA5-003	2022259
	SPRING, RR. SHOCK ABSORBER	--	6	1	52401-HA5-671	2149300
6	CAP, DUST SEAL	5	--	2	52406-KB7-003	1222421
7	DAMPER COMP., RR.	5	--	1	52410-HA5-003	2022291
	DAMPER COMP., RR.	--	6	1	52410-HA5-671	2271658
8	ADJUSTER, SPRING	5	6	1	52422-HA5-003	2031334
9	NUT, ADJUSTER	5	6	1	52423-KA4-003	1027564
10	STOPPER, SPRING SEAT	5	6	1	52424-HA5-003	2022325
11	CAP, AIR VALVE	5	6	1	52425-381-771	0427237
12	SUB TANK COMP.	5	--	1	52430-HA5-003	2031342

Ref. No	BLOCK NO DESCRIPTION	FRAME SERIAL NUMBER		QTY REQ	PART NUMBER	HONDA CODE
		FROM	TO			
5 = ATC350X'85 6 = ATC350X'86		ATC350X'85	ATC350X'86			
12	SUB TANK COMP.	--	6	1	52430-HA5-671	2271666
13	HOSE COMP., JOINT	5	6	1	52440-HA5-003	2031359
14	BOLT, OIL, 10X22	5	6	2	52441-KA3-711	1322106
15	WASHER, SPECIAL, 10MM	5	6	4	52442-KA3-711	1322114
16	SPRING, CLICK	5	6	2	52445-KA4-731	2384428
17	BALL	5	6	2	52446-KF0-003	2275147
18	O-RING, 2X23.5	5	6	1	52447-KF0-003	2275154
19	SCREW	5	6	1	52448-KF0-003	2275162
20	PLATE, ADJUSTING	5	--	1	52449-KA4-731	2384444
	PLATE, ADJUSTING	--	6	1	52449-HA2-671	2384436
21	BUSH, DAMPER LOWER	5	6	1	52451-HA5-000	2022341
22	BUSH, DAMPER UPPER	5	--	1	52452-KB7-003	1222454
	METAL, BUSH	--	6	1	52452-HA5-671	2275774
23	SEAT C, SPRING (SHOWA)	5	6	1	52459-KA4-831	1917335
24	COLLAR, DAMPER UPPER	5	6	1	52486-KB7-003	1222504
25	LABEL, RR. DAMPER CAUTION	5	6	1	87516-KF0-003	1421122
26	BOLT, FLANGE, 10X124	5	6	1	90151-KK4-000	2023521
27	BOLT, FLANGE, 10X55	5	6	1	90154-HA5-000	2023588
28	BOLT, SPECIAL FLANGE, 10X58	5	6	1	90155-965-003	1458728
29	BOLT, FLANGE, 10X95	5	6	1	90187-MG7-003	2023612
30	NUT, U, 10MM	5	6	2	90304-GE8-003	1439249
31	WASHER, 16MM	5	6	2	90453-235-000	0147645
32	O-RING, 19.5X1.5	5	6	2	91301-965-003	1549195
	O-RING, 19.5X1.5	5	6	2	91301-965-004	1549203
33	DUST SEAL B	5	--	2	91351-KB7-003	1223981
	DUST SEAL	--	6	2	91351-HA5-671	2209625
34	BOLT, FLANGE, 6X18	5	6	2	96390-06018-00	1917616
	BOLT, FLANGE, 6X18	5	6	2	96500-06018-00	2028959

SEAT • REAR FENDER



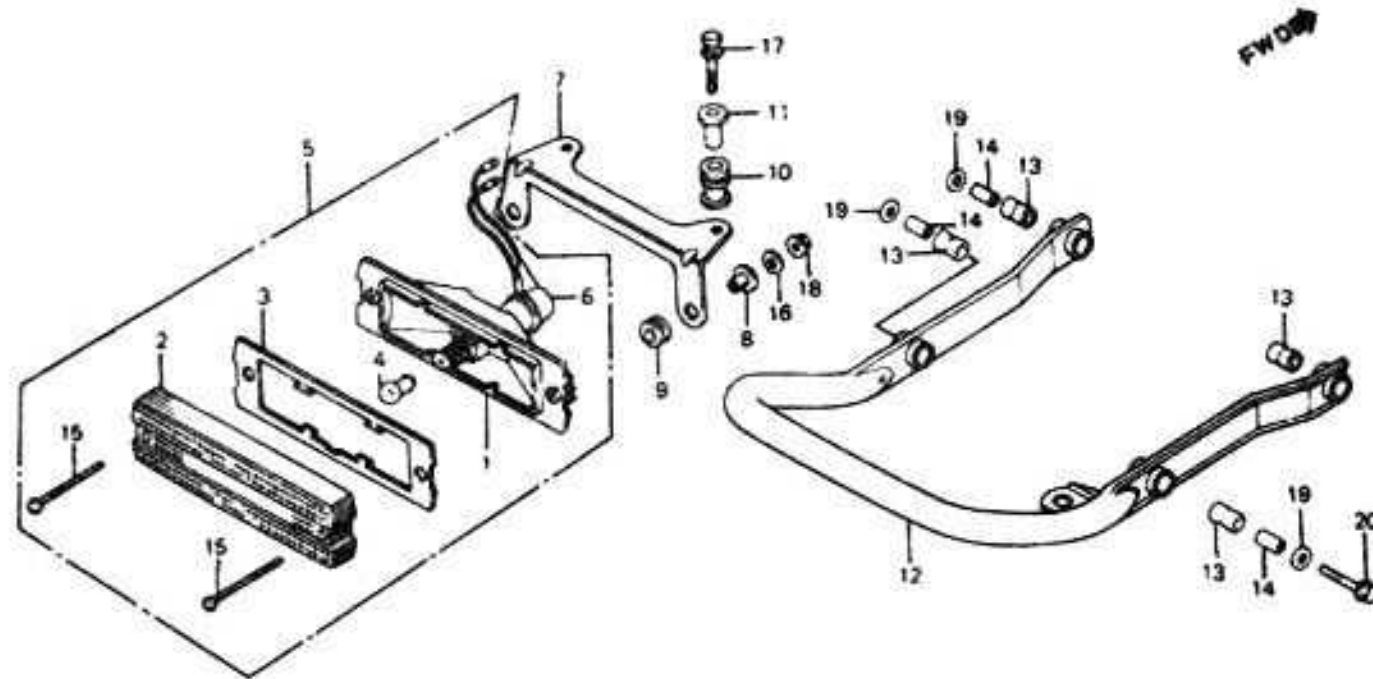
CAUTION OR WARNING LABELS MUST BE ORDERED SEPARATELY WHEN APPLICABLE

F14HA5F20

Ref No	BLOCK NO	F-20	FRAME SERIAL NUMBER		QTY	PART NUMBER	HONDA CODE
			FROM	TO			
5 = ATC350X'85 6 = ATC350X'86			ATC350X'85	ATC350X'86			
1					2	17611-HA5-000	2018356
2					1	50223-961-000	1046499
3					1	77100-HA5-000	2022655
					1	77100-HA5-670	2149391
4					2	77211-HA5-000	2022762
5					1	80100-HA5-000ZA	2022861
					1	80100-HA5-670ZA	2149417
6					1	80101-HA5-000	2022895
7					1	80102-HA5-000	2022903
					1	80102-HA5-670	2149425
8					1	80105-HA5-000	2022937
9					1	80106-HA5-000	2022945
10					2	80108-HA5-000	2022978
11					1	83642-HA0-680	2088383

Ref No	BLOCK NO	F-20	FRAME SERIAL NUMBER		QTY	PART NUMBER	HONDA CODE
			FROM	TO			
5 = ATC350X'85 6 = ATC350X'86			ATC350X'85	ATC350X'86			
12					1	87510-VM5-000	1780774
13					1	87532-HA5-300	2023232
14					1	87533-HA5-300	2023240
15					7	90513-HA5-000	2023745
16					7	93500-05010-0A	0156976
17					10	94050-06080	0612689
18					1	96300-06012-08	2132587
					1	96500-06012-08	2024214

TAILLIGHT

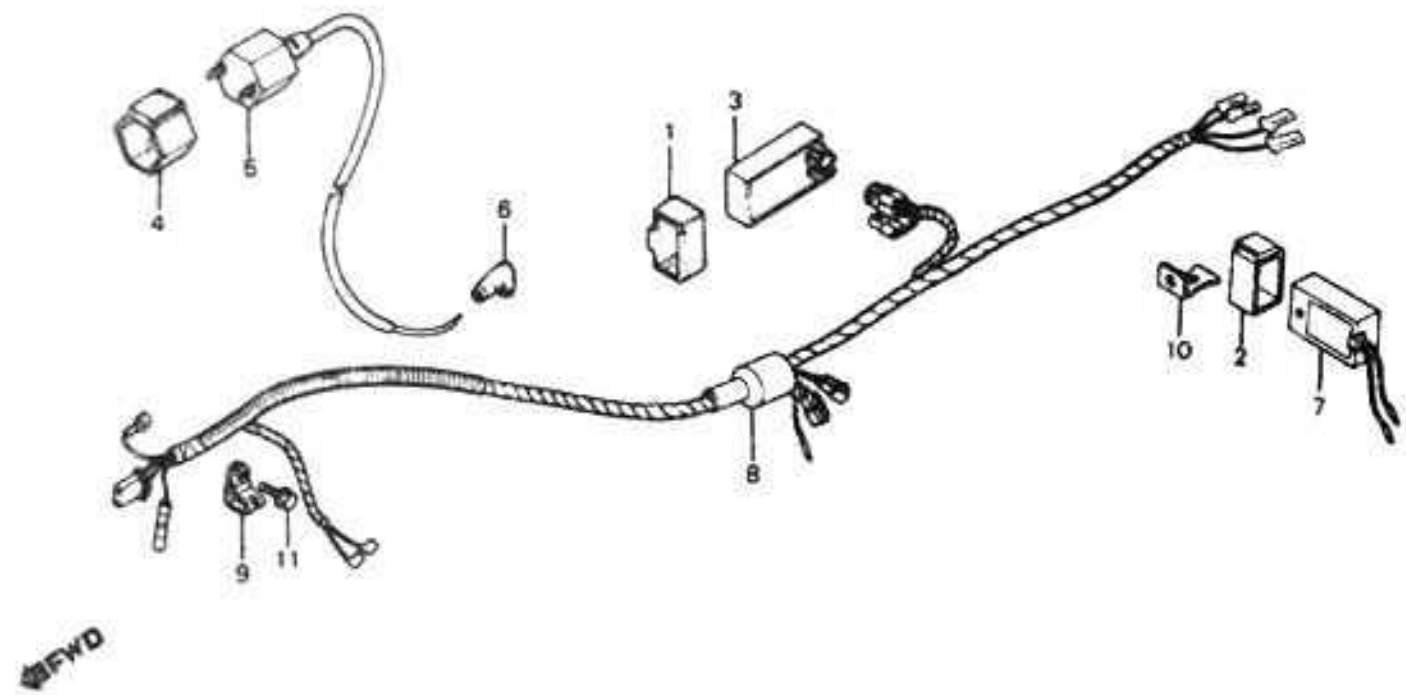


F14HA5F21

Ref. No.	BLOCK NO. DESCRIPTION	FRAME SERIAL NUMBER		QTY REQ	PART NUMBER	HONDA CODE
		FROM	TO			
5 = ATC350X'85 6 = ATC350X'86						
		5	6			
1	HOUSING COMP., TAILLIGHT	5	6	1	33300-965-003	1647346
2	LENS, TAILLIGHT	5	6	1	33302-965-003	1411883
3	GASKET, TAILLIGHT	5	6	1	33303-965-003	1411891
4	BULB, 12C5W	5	--	1	33310-594-601	0664482
	BULB (12V 5W)	5	6	1	34905-965-003	1846245
	BULT, (12V5W)	5	6	1	34910-504-003	0688366
5	TAILLIGHT ASSY.	5	6	1	33700-965-003	1403435
6	COVER, SOCKET	5	6	1	33702-965-003	1411909
7	BRACKET, TAILLIGHT	5	6	1	33705-965-000	1403443
8	COLLAR, TAILLIGHT MOUNTING	5	6	2	33712-965-000	1403450
9	RUBBER, TAILLIGHT MOUNTING	5	6	2	33715-965-000	1403468
10	RUBBER, TAILLIGHT MOUNT	5	6	2	33731-958-670	1079672
11	COLLAR, TAILLIGHT MOUNT	5	6	2	33732-HA5-000	2020295
12	PIPE COMP., CARRY	5	--	1	81200-HA5-000	2023000
	PIPE COMP., CARRY	--	6	1	81200-HA5-670	2149433
13	RUBBER, CARRY PIPE MOUNTING	5	--	4	81201-965-000	1404482

Ref. No.	BLOCK NO. DESCRIPTION	FRAME SERIAL NUMBER		QTY REQ	PART NUMBER	HONDA CODE
		FROM	TO			
5 = ATC350X'85 6 = ATC350X'86						
		5	6			
14	COLLAR, CARRY PIPE MOUNTING	5	--	3	81202-965-000	1404490
15	SCREW, PAN, 4X50	5	6	2	90121-965-003	1411917
16	WASHER, SPECIAL, 4MM	5	6	2	90555-357-000	0322289
17	BOLT-WASHER, 6X35	5	6	2	93492-06035-08	0695932
18	NUT, FLANGE, 4MM	5	6	2	94050-04000	0711549
19	WASHER, PLAIN, 8MM	5	--	3	94103-08000	0876896
20	BOLT, FLANGE, 8X32	5	--	1	96300-08032-00	1829985
	BOLT, FLANGE, 8X32	5	--	1	96500-08032-00	2024255
	BOLT, FLANGE, 8X16	--	6	1	96300-08016-00	1829951
	BOLT, FLANGE, 8X16	--	6	1	96400-08016-00	1830041
	BOLT, FLANGE, (8X16)	--	6	1	96500-08016-00	1947167

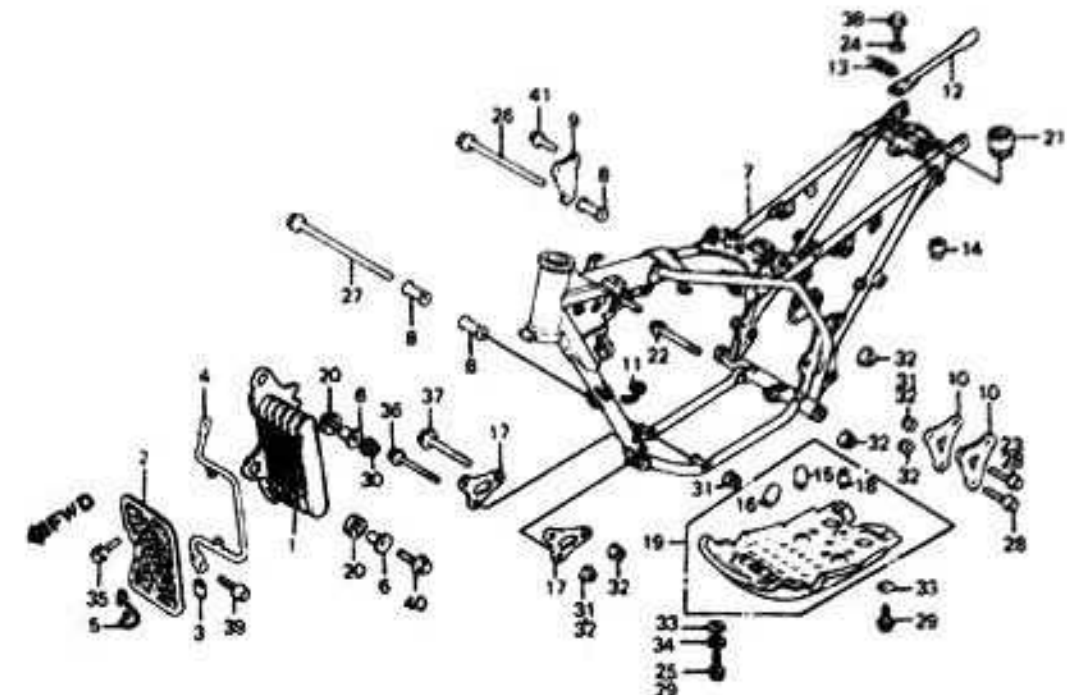
WIRE HARNESS



F14HA5F22

Ref. No.	BLOCK NO. F-22 DESCRIPTION	ATC350X85		ATC350X86		QTY REQ	PART NUMBER	HONDA CODE
		5	6	FROM	TO			
5	ATC350X'85							
6	ATC350X'86							
1	CUSHION, C.D.I. UNIT	5	6	-----	-----	1	30401-HA0-000	1973973
2	CUSHION, REGULATOR	5	6	-----	-----	1	30406-HA2-000	1827526
3	C.D.I. UNIT COMP.	5	6	-----	-----	1	30410-HA5-008	2019719
4	SUSPENSION, IGNITION COIL	5	6	-----	-----	1	30506-HA0-000	1821487
5	COIL COMP., IGNITION	5	6	-----	-----	1	30510-HA5-000	2028504
	COIL COMP., IGNITION	5	6	-----	-----	1	30510-KT0-405	4102612
6	CAP ASSY., NOISE SUPPRESSOR	5	6	-----	-----	1	30700-HA0-163	3856598
	CAP ASSY., NOISE SUPPRESSOR	5	6	-----	-----	1	30700-965-003	1424720
	CAP ASSY., NOISE SUPPRESSOR	5	6	-----	-----	1	30700-965-013	3522083
7	REGULATOR COMP.	5	6	-----	-----	1	31400-KG0-008	1729706
8	HARNESS, WIRE	5	6	-----	-----	1	32100-HA5-000	2019982
9	CLIP, HARNESS	5	6	-----	-----	1	32113-HA2-000	1827625
10	STAY, REGULATOR	5	6	-----	-----	1	33735-HA5-000	2020303
11	BOLT, FLANGE, 6X12	5	6	-----	-----	1	96300-06012-08	2132587
	BOLT, FLANGE, 6X12	5	6	-----	-----	1	96500-06012-08	2024214

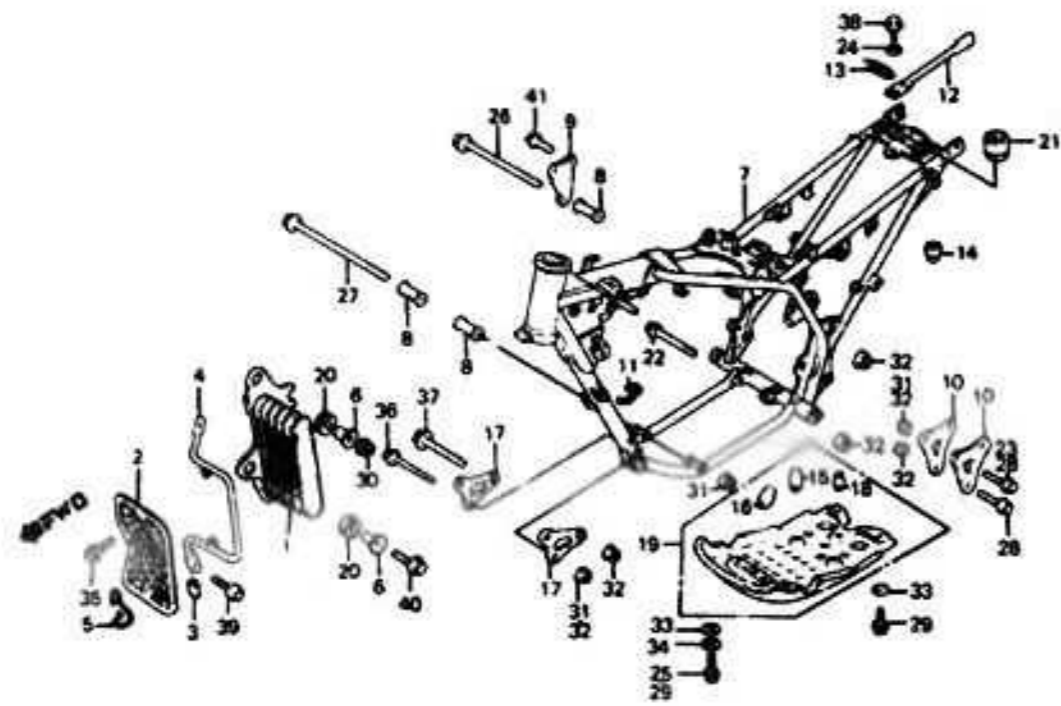
FRAME



F14HA5F23

Ref. No.	BLOCK NO. F-23 DESCRIPTION	ATC350X85		ATC350X86		QTY REQ	PART NUMBER	HONDA CODE
		5	6	FROM	TO			
5	ATC350X'85							
6	ATC350X'86							
1	COOLER COMP., OIL	5	6	-----	-----	1	15600-HA5-003	2017408
	COOLER COMP., OIL	5	6	-----	-----	1	15600-HA5-004	2017416
2	GRILLE, OIL COOLER	5	6	-----	-----	1	19032-HA5-000	2018687
3	RUBBER, OIL COOLER GUARD	--	6	-----	-----	1	19033-HA5-300	2148351
4	GUARD COMP., OIL COOLER	5	6	-----	-----	1	19045-HA5-000	2018786
5	CLAMP, CLUTCH CABLE	--	6	-----	-----	1	22871-HA5-670	2148427
6	COLLAR, METER SETTING	5	6	-----	-----	2	37206-471-000	1235167
7	FRAME COMP. *R109* (PASSION RED)	5	--	-----	-----	1	50100-HA5-3052A	2291292
	FRAME COMP. *R109* (PASSION RED)	--	6	-----	GM108441	1	50100-HA5-6702A	2149094
	FRAME COMP. *R109* (PASSION RED)	--	6	-----	GM108441	1	50100-HA5-6712A	2291300
	FRAME COMP. *R109* (PASSION RED)	--	6	-----	-----	1	50100-HA5-6712A	2291300
8	COLLAR, ENGINE HANGER	5	6	-----	-----	3	50130-HA5-000	2021475
9	PLATE, RR. ENGINE HANGER UPPER *R109* (PASSION RED)	5	--	-----	-----	1	50139-HA5-0002A	2021491

FRAME

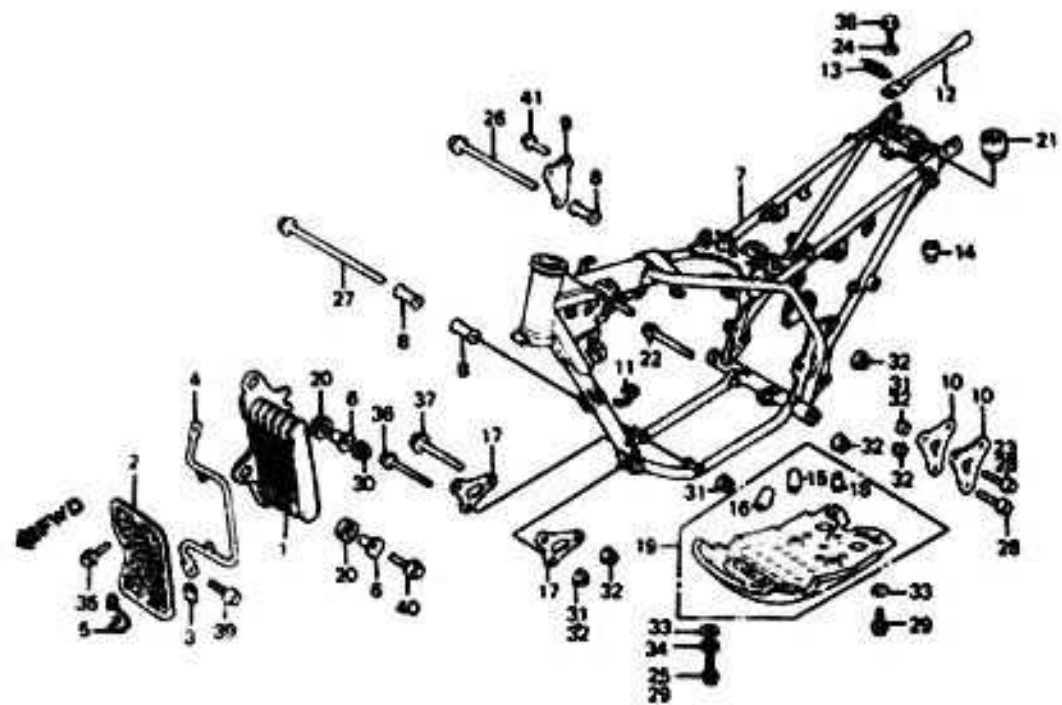


F14HA5F23

Ref. No.	BLOCK NO. F-23 DESCRIPTION	ATC350X85		ATC350X86		QTY REQ	PART NUMBER	HONDA CODE
		5	6	5	6			
	5 = ATC350X'85 6 = ATC350X'86							
	9 PLATE, RR. ENGINE HANGER UPPER *R109* (PASSION RED)		6			1	50139-HA5-670ZA	2149102
	10 PLATE, ENGINE HANGER UPPER *R109* (PASSION RED)	5				2	50142-HA5-000ZA	2021509
	PLATE, ENGINE HANGER UPPER *R109* (PASSION RED)		6			2	50142-HA5-670ZA	2149110
	11 CLIP, OIL HOSE	5	6			1	50179-HA5-000	2031326
	12 LEVER, SEAT LOCK	5	6			1	50221-HA2-000	1828318
	13 SPRING, LEVER SETTING	5	6			1	50222-HA2-000	1828326
	14 RUBBER, SUB TANK MOUNTING	5	6			1	50240-HA5-000	2021574
	15 RUBBER A, STOPPER	5				2	50352-428-000	0686360
	RUBBER B, STOPPER		6			2	50354-434-000	0711135
	16 RUBBER A, STOPPER	5	6			2	50352-434-000	0711119
	17 PLATE, FR. ENGINE HANGER *R109* (PASSION RED)	5				2	50353-HA5-000ZA	2021665
	PLATE, FR. ENGINE HANGER *R119* (FLASH RED)	5	6			2	50353-HA5-670ZA	2149144

Ref. No.	BLOCK NO. F-23 DESCRIPTION	ATC350X85		ATC350X86		QTY REQ	PART NUMBER	HONDA CODE
		5	6	5	6			
	5 = ATC350X'85 6 = ATC350X'86							
	18 RUBBER C, STOPPER	5	6			1	50355-434-000	0711143
	19 GUARD COMP., ENGINE	5	6			1	50360-HA5-000	2021707
	GUARD COMP., ENGINE		6			1	50360-HA5-670	2149169
	20 GROMMET, OIL COOLER MOUNT	5	6			2	64417-HA5-000	2022648
	21 CUSHION, SEAT MOUNTING	5	6			2	77207-HA0-000	1823657
	22 BOLT, FLANGE, 10X110	5				1	90104-MG3-000	1445246
	BOLT, FLANGE, 10X110		6			1	90108-HA5-670	2149573
	BOLT, FLANGE, 10X11		6			1	90115-HA0-770	2420230
	23 BOLT, FLANGE, 8X60	5				2	90106-HA5-000	2023430
	24 COLLAR, LEVER SETTING	5	6			1	90109-964-000	1423722
	25 BOLT, FLANGE, 8X20		6			1	90116-VM0-770	2000065
	26 BOLT, FLANGE, 10X135	5				1	90151-HA5-000	2023513
	BOLT, FLANGE, 10X135		6			1	90107-HA5-670	2149565
	27 BOLT, FLANGE, 10X235	5	6			1	90152-HA5-000	2023547
	28 BOLT, FLANGE, 10X62	5				1	90155-HA5-000	2044360
	BOLT, FLANGE, 10X62		6			3	90155-HA0-000	1039098
	29 BOLT, FLANGE, 8X12	5				3	90190-MG3-000	1455377
			6			2	90190-MG3-000	1455377
	30 NUT, FLANGE, 6MM	5	6			1	94050-06000	0471623
	31 NUT, FLANGE, 8MM	5				4	94050-08000	0481143
	32 NUT, FLANGE, 10MM	5				5	94050-10000	0483867
			6			9	94050-10000	0483867
	33 WASHER, PLAIN, 8MM	5	6			3	94101-08000	0059097
	34 WASHER, SPRING, 8MM		6			1	94111-08000	0058982
	35 BOLT, FLANGE, 6X10	5	6			2	96000-06010-00	1085729
	BOLT, FLANGE, 6X10		6			2	96001-06010-00	2154656
	36 BOLT, FLANGE, 8X75	5				2	96400-08075-00	2024172
	BOLT, FLANGE, 10X76		6			2	90308-MC4-760	2149656
	37 BOLT, FLANGE, 10X80	5				1	96400-10080-00	2024180
	BOLT, FLANGE, 10X76		6			1	90308-MC4-760	2149656
	38 BOLT, FLANGE, 6X10	5	6			1	96300-06010-00	1829860
	BOLT, FLANGE, 6X10		6			1	96500-06010-00	2024198
	39 BOLT, FLANGE, 6X12	5	6			1	96300-06012-00	1829878

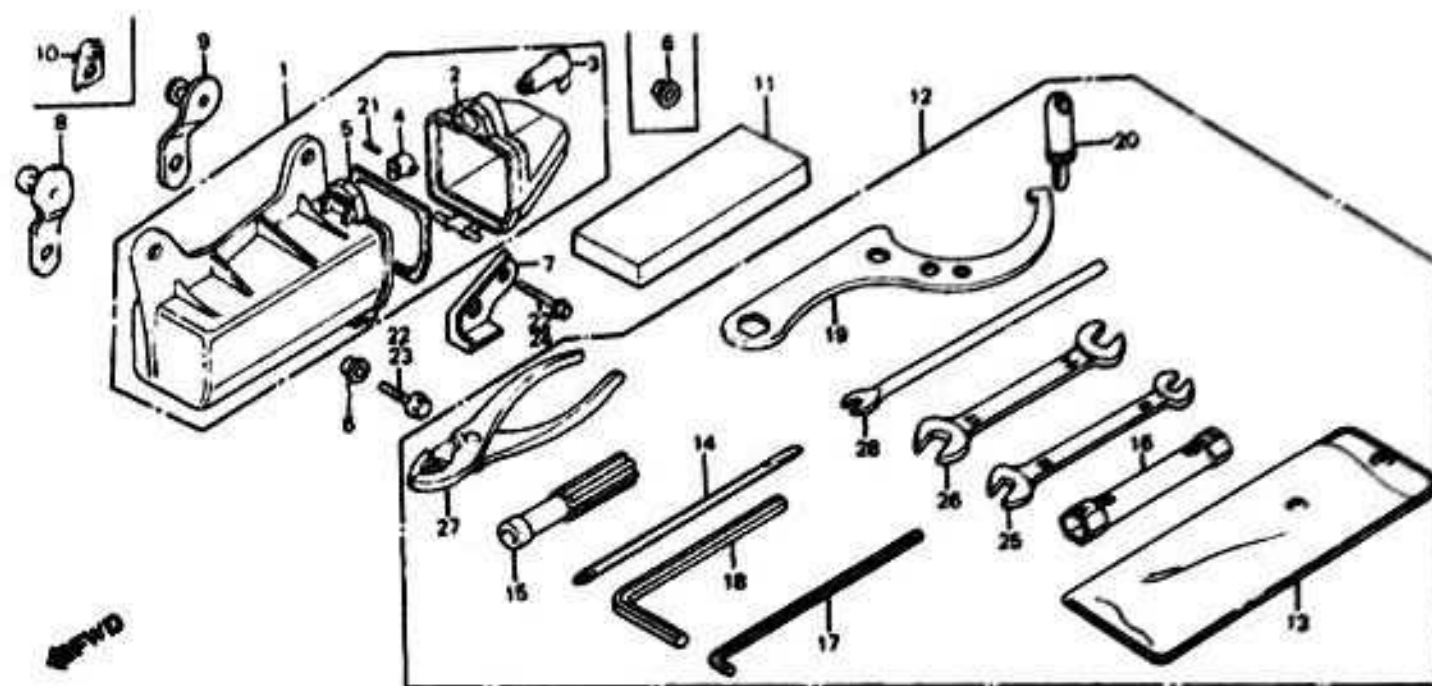
FRAME



F14HA5F23

Ref. No.	BLOCK NO. F-23 DESCRIPTION	FRAME SERIAL NUMBER		QTY REQ	PART NUMBER	HONDA CODE
		ATC350X85 5	ATC350X86 6			
	5 = ATC350X'85 6 = ATC350X'86					
39	BOLT, FLANGE, 6X12	5	6	1	96500-06012-00	2024206
40	BOLT, FLANGE, 6X25	5	6	1	96300-06025-00	1829902
	BOLT, FLANGE, 6X25	5	6	1	96400-06025-00	3022621
	BOLT, FLANGE, 6X25	5	6	1	96500-06025-00	2024230
41	BOLT, FLANGE, 8X16	5	--	2	96300-08016-00	1829951
	BOLT, FLANGE, 8X16	5	--	2	96400-08016-00	1830041
	BOLT, FLANGE, (8X16)	5	--	2	96500-08016-00	1947167
	BOLT, FLANGE, 8MM	--	6	2	90105-952-720	0754119

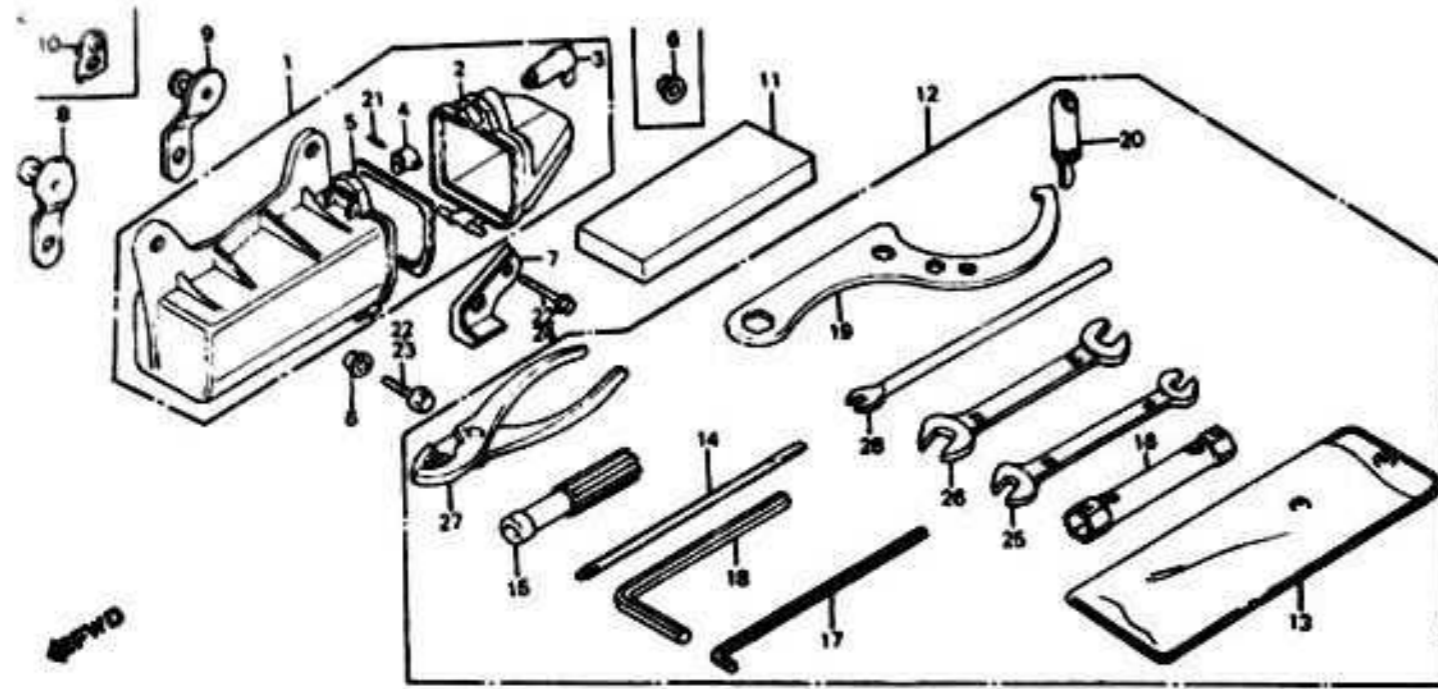
TOOLS



F14HA5F24

Ref. No.	BLOCK NO. F-24 DESCRIPTION	FRAME SERIAL NUMBER		QTY REQ	PART NUMBER	HONDA CODE
		ATC350X85 5	ATC350X86 6			
	5 = ATC350X'85 6 = ATC350X'86					
1	BOX ASSY., TOOL	5	--	1	83500-HA5-000	2023018
	BOX ASSY., TOOL	--	6	1	83500-VM6-680	2078228
2	CAP, TOOL BOX	5	--	1	83505-HA2-000	1829092
	CAP, TOOL BOX	--	6	1	83505-VM6-680	2078236
3	BODY, KNOB	5	6	1	83507-965-000	1404516
4	STOPPER, KEY BODY	5	6	1	83508-965-000	1508886
5	SEAL, TOOL BOX	--	6	1	83510-VM6-680	2078244
6	COLLAR, TOOL BOX MOUNTING	--	6	2	83511-VM6-680	2078251
		--	6	1	83511-VM6-680	2078251
		--	6	1	83512-HA5-670	2480986
		--	6	1	83513-HA5-670	2149458
		--	6	1	83514-HA5-670	2149466
		5	--	2	83515-HA5-000	2023067
		5	--	1	83517-965-000	1510726
12	TOOL SET	5	--	1	89010-HA5-000	2023273
	TOOL SET	--	6	1	89010-HA5-670	2149540

TOOLS



F14HA5F24

5 - ATC350X'85 6 - ATC350X'86		ATC350X'85	ATC350X'86	FRAME SERIAL NUMBER		QTY REQ	PART NUMBER	HONDA CODE
Ref. No.	BLOCK NO. F-24 DESCRIPTION	5	6	FROM	TO			
	13 TOOL BAG (170)	5	6	-----	-----	1	89101-965-003	1549166
	14 SHAFT, SCREW DRIVER	5	6	-----	-----	1	89102-538-000	0239103
	15 GRIP	5	6	-----	-----	1	89103-538-000	0511170
	16 WRENCH, BOX, 18X17	5	6	-----	-----	1	89213-968-000	1513449
	17 WRENCH, HEX., 6MM	5	---	-----	-----	1	89221-HA2-000	1829241
	WRENCH, HEX., 6MM	5	6	-----	-----	1	89221-HA2-670	2084598
	18 WRENCH, HEX., 8MM	5	6	-----	-----	1	89222-371-000	0408724
	19 SPANNER, PIN	5	---	-----	-----	1	89225-964-000	1423912
	20 GAUGE, TIRE PRESSURE (RIKEN)	---	6	-----	-----	1	89301-VM6-682	2078418
	21 PIN, SPRING, 2X14	5	6	-----	-----	1	94305-20141	0769208
	22 BOLT, FLANGE, 8X50	---	6	-----	-----	2	90132-M63-000	1445279
	BOLT, FLANGE, 8X50	---	6	-----	-----	2	96400-08050-00	2024164
	23 BOLT, FLANGE, 8X32	5	---	-----	-----	1	96300-08032-00	1829985
	BOLT, FLANGE, 8X32	5	---	-----	-----	1	96500-08032-00	2024255
	24 BOLT, FLANGE, 8X40	5	---	-----	-----	1	96500-08040-00	2024263
	25 SPANNER, 10X12	5	6	-----	-----	1	99001-10120	0187559

5 - ATC350X'85 6 - ATC350X'86		ATC350X'85	ATC350X'86	FRAME SERIAL NUMBER		QTY REQ	PART NUMBER	HONDA CODE
Ref. No.	BLOCK NO. F-24 DESCRIPTION	5	6	FROM	TO			
	26 SPANNER, 14X17	5	6	-----	-----	1	99001-14170	0187567
	27 PLIERS, 135	5	6	-----	-----	1	99002-13500	0069252
	28 BAR B, HANDLE	5	6	-----	-----	1	99005-02000	0268219

