

DEALER COPY

RETAIN FOR YOUR RECORDS

Avenger



PLACE
STAMP
HERE



Adventure Vehicles, Inc.

114 Melvyn Drive
Monroe, La. 71203

Manufactured by

ADVENTURE VEHICLES, INC.

114 Melvyn Drive
Monroe, La. 71203
Phone 318 - 343-3886

THINK SAFETY FIRST

ADVENTURE VEHICLES, INC. welcomes you as a proud owner of an AMERICAN made off-road vehicle, the AVENGER. Your AVENGER was built to the highest standards in the industry.

Your vehicle is only as safe as its operator; carelessness or error on the part of the operator can result in injury. Please follow these instructions on the safe operation of your vehicle. Be certain that anyone using your vehicle is familiar with them.

1. Do not allow anyone to operate your vehicle without proper supervision and instruction, especially MINORS.
2. Improper use of this vehicle can result in damage.
3. Know how to stop the bike and engine instantly.
4. Know the controls and how they operate.
5. Make sure the throttle is working free before starting.
6. Exercise caution when riding in rough areas and use moderate speeds.
7. Stop the engine whenever you get off your vehicle.
8. Wear a helmet and eye protection while riding.
9. Do not fill gas tank while engine is hot or running.
10. Your vehicle is designed for off-road use only.

**THESE VEHICLES ARE NOT DESIGNED FOR USE ON IRREGULAR
OR HILLY TERRAIN. OPERATION IN SUCH AREAS
MAY RESULT IN INJURY TO THE OPERATOR!**

Please read this manual carefully.

HAPPY RIDING!

OPERATION

1. **BRAKE CONTROL:** The hand brake is located on the left handlebar and is operated by squeezing toward the handlebar.
2. **THROTTLE CONTROL:** This control is located on the right handlebar and is operated by pulling the lever toward the handlebar.
3. **IGNITION CUT OFF:** Turn key to left to stop engine.
4. **CHOKE CONTROL:** Pull the choke before starting the engine. Allow the engine to warm up for approximately 30 seconds, then push the choke control in to run.

TO START ENGINE

1. Check and make sure that all throttle, carburetor and governor linkage is working freely before starting.
2. Check to make sure that the throttle is in idle position.
3. Pull the choke control to choke position. Do not choke if restarting a warm engine.
4. Turn the key to the right to start engine. If battery fails, the electric start engine can be started by using the recoil rope.
5. When engine starts, push choke control in gradually as the engine warms up.

**CAUTION: PULLING THE THROTTLE WHILE STARTING THE MOTOR
MAY CAUSE THE MACHINE TO MOVE RAPIDLY.**

TO STOP ENGINE

1. Turn key to left to stop engine.
2. If engine fails to turn off by the above procedure, pull choke fully to kill engine.

TO CHANGE GEARS

Vehicle must be at a DEAD STOP before attempting to change gears. DO NOT ATTEMPT TO CHANGE GEARS WHILE VEHICLE IS MOVING OR WHILE ENGINE IS AT HIGH RPM'S. This may result in damage to the trans-axle.

1. Shift lever is located under right rear fender.

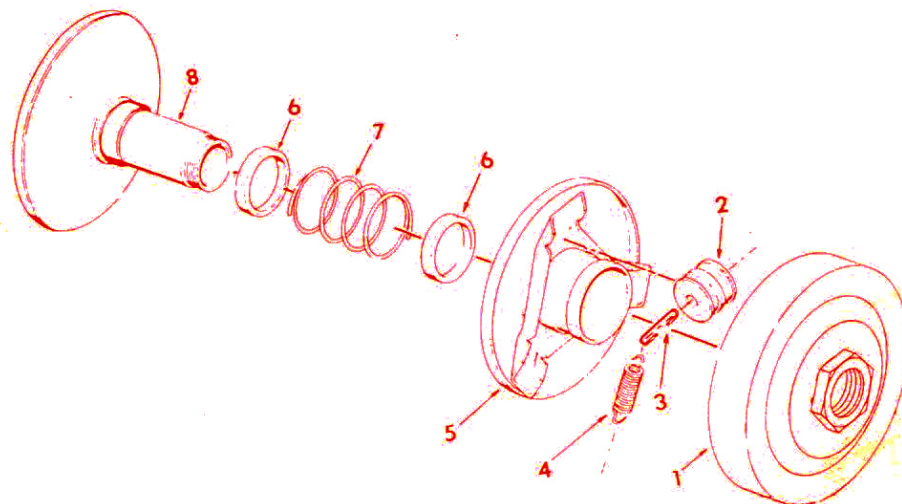
- Lever positions are as follows: 1) Down is Forward; 2) Mid-way is Neutral; 3) Up is Reverse.

MAINTENANCE

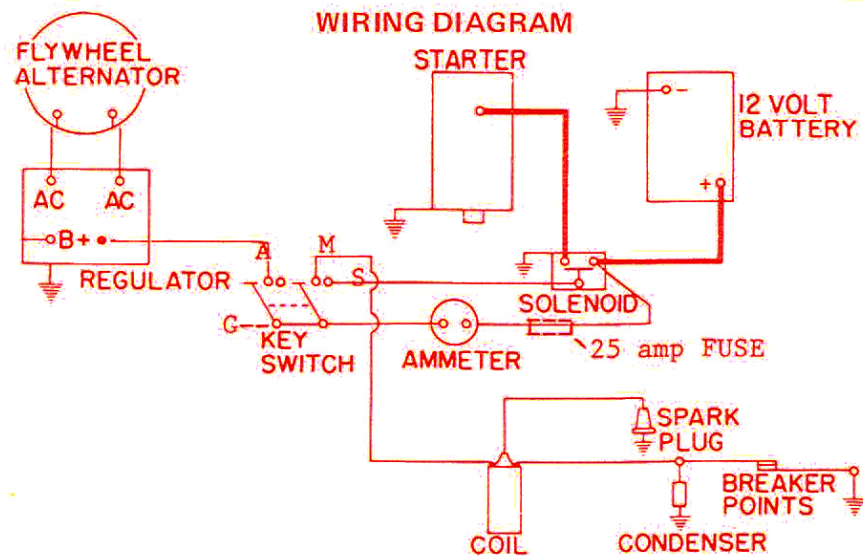
- BEARINGS:** None. All bearings are pre-lubricated and sealed requiring no lubrication.
- COMET TRANSAXLE:** Check oil level in transaxle every 25 hours. This is done by placing machine on level ground and removing the plug on the lower right side of the transaxle. Fill transaxle with 140 wt. oil until oil runs out the fill hole.
- OIL:** Check oil level on engine after every 2 hours of operation. (See engine manual for oil change schedule.)
- AIR CLEANER:** Replace paper air cleaner element every 10 hours under **normal conditions** or more frequently (even daily) under extreme conditions. (See Engine manual).
- CABLES:** It is important to keep control cables well lubricated. Cables should be oiled at the first signs of rough and jerky movement of controls. Use a light oil like LPS 25 or WD-40.
- TIRES:** Check tire pressure periodically. Recommended tire pressure 2 lbs. Maximum pressure is 5 lbs. Both rear tires should have the same air pressure.
- NUTS:** Check all nuts for tightness after first 5 hours of operation, then every 25 hours.
- DRIVE BELT:** Do not use belt dressing. If belt is slipping, check to see if belt is wet or is worn.
- BATTERY:** If battery is wet, check water level every 25 hours. If a battery needs charging use a 2 amp. charger. When vehicle has not been used for more than 21 days, charge battery before use. Instructions for DRY Battery: Use 12.65 Gravity Acid. CHARGE at 4 amps or less until the charge voltage reaches 16 volts and the gravity is 12.50-12.65. **DAMAGE MAY RESULT TO THE BATTERY IF INSTRUCTIONS ARE NOT FOLLOWED.**
- TORQUE CONVERTERS:** The torque converter driver requires lubrication periodically. Lubricate shaft #8 and rollers #2 with NEVER-SEEZ or light oil lubricant. Replace spring #7 when it measures less than 3 $\frac{1}{8}$ ".

COMET DRIVE CLUTCH ASSEMBLY COMPLETE

Item No.	Order No.	Description
1	203021	Cover & Drive Plate
2	203648	Cam, Roller, Std.
3	203044	Clip, Spring
4	203043	Spring, Extension, Yel., Std.
5	203022	Face, Movable & Hub
6	203031	Bushing, Guide
7	203039	Spring, Compression
8	203023	Face, Fixed & Post 1" Bore, 1/4 Key



WIRING DIAGRAM



TROUBLE SHOOTING

Engine Fails to Start

1. Check Battery on Electric Start Models.
2. Out of gasoline; check fuel shut-off valve to see if closed.
3. Water or debris in gas tank.

Engine Runs Poorly

1. Check Air Cleaner. (See Engine manual)
2. Check for water in gasoline tank.
3. Check air intake on right side of engine to see if debris is clogging engine.
4. Check carburetor settings. (See Engine manual)
5. Check spark plug.

Machine Pulls to One Side

Check air pressure in rear wheels. Both tires should have same air pressure.

Machine "Creeping" While Stopped

1. Engine idled too high.
2. Throttle not returning. Oil Cable.
3. Engine drive pulley needs lubrication. (See "Maintenance" Torque Converters)

Motor Won't Kill

Check wiring for loose connection at Ignition Key.

Machine Won't Stop

Check brake cable and adjust tension at brake lever.

Loss of Power

1. Check tire pressure in all tires. Low tire pressure will slow machine.
2. Check air cleaner. (See Engine manual)
3. Check air intake for stoppage.
4. Check wear in drive belt.

Drive Belt Slipping

1. Check to see if water is inside Belt Enclosure.

LIMITED WARRANTY

Adventure Vehicles, Inc. guarantees each new vehicle to be free of defects in workmanship and/or material and will repair or replace, at its option to the original purchaser any part or parts found to be defective in workmanship or material upon examination by any authorized service dealer or at the Adventure Vehicles, Inc. factory in Monroe, Louisiana for a period not to exceed ninety (90) days from date of sale with the exception of power train components consisting of the ENGINE, TRANSAXLE, BATTERY and TIRES, which are covered by separate warranty.

All claims must be brought to the attention in writing to Adventure Vehicles, Inc. within thirty (30) days after discovery that goods or parts fail to perform as warranted.

This warranty shall not apply to:

- (A) Failures due to normal wear, accident, misuse, abuse, or negligence.
- (B) Products which are altered or modified in manner not authorized by manufacturer in writing.
- (C) The use of this vehicle in competitive racing or commercial or rental voids any warranty stated or implied.
- (D) The cost of transportation charges and/or the cost of labor involved in servicing or replacing parts or components.

The foregoing warranty IS IN LIEU OF ALL OTHER WARRANTIES, EXPRESSED, IMPLIED OR STATUTORY (INCLUDING, BUT NOT LIMITED TO, WARRANTIES OF MERCHANTABILITY AND FITNESS FOR PURPOSE) and of any other obligations and/or liabilities on the part of Adventure Vehicles, Inc. and Adventure Vehicles, Inc. neither assumes nor authorizes any other person, natural or corporate, to assume for it any other obligation or liability in connection with or with respect to any engine or parts. Adventure Vehicles, Inc. shall in no event be liable for any consequential, incidental or special damages nor for the improper selection of an engine or part for a particular application.

CUSTOMER RECORD: Date Purchased _____ Amount \$ _____

AVENUE Sales & Servicing Dealer _____

Serial # _____ Phone _____

DEALER — Fill in Warranty Card and Detach

PLEASE PRINT OR TYPE

WARRANTY CARD

Model: ¼ T
 Model 300
 Big Foot
 400 Automatic

Date Purchased _____

Serial # _____

Customer's Name _____ Phone _____

Address _____ Age _____

City _____ State _____ Zip _____

Use of Vehicle: Private Commercial Agriculture

Purchased from:
 Dealer _____

Address _____

City _____ State _____ Zip _____

DEALER — Fill in and mail to ADVENTURE VEHICLES, INC. within one week of purchase

PLEASE PRINT OR TYPE

WARRANTY CARD

Model: ¼ T
 Model 300
 Big Foot
 400 Automatic

Date Purchased _____

Serial # _____

Customer's Name _____ Phone _____

Address _____ Age _____

City _____ State _____ Zip _____

Use of Vehicle: Private Commercial Agriculture

Purchased from:
 Dealer _____

Address _____

City _____ State _____ Zip _____