

4

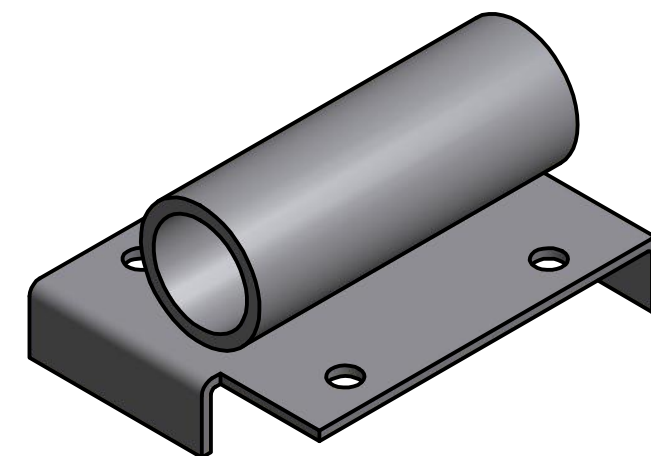
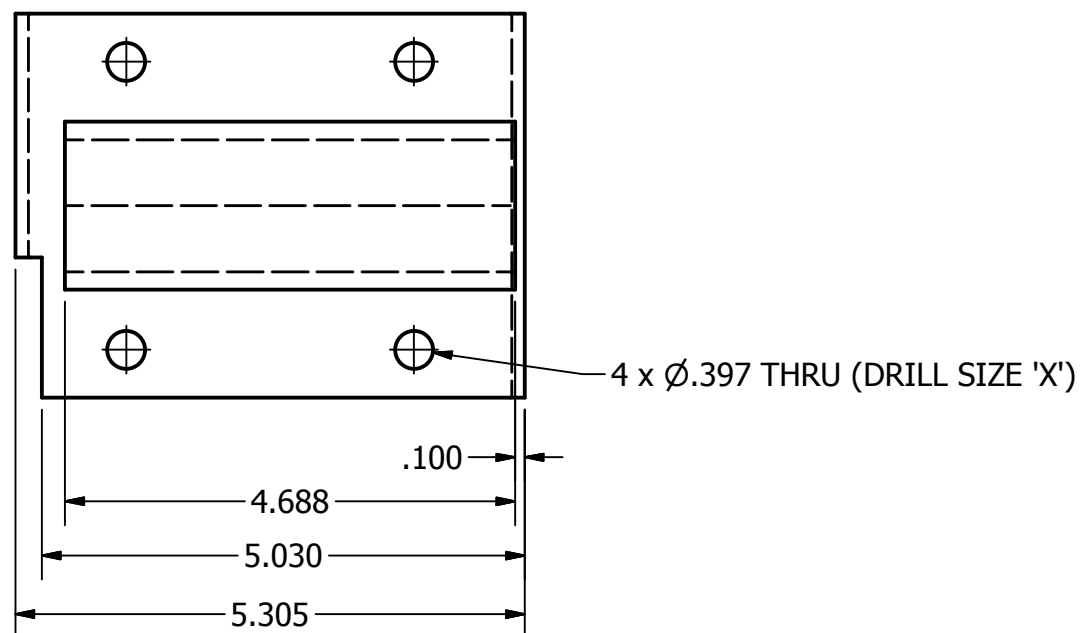
3

2

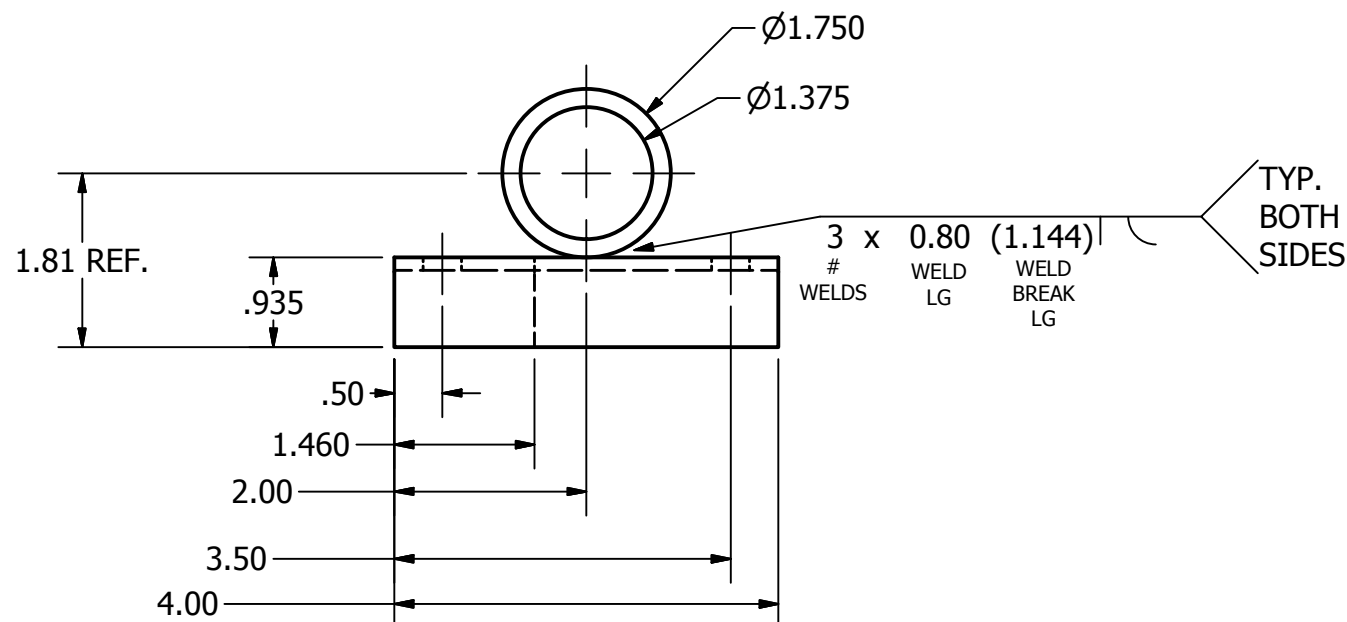
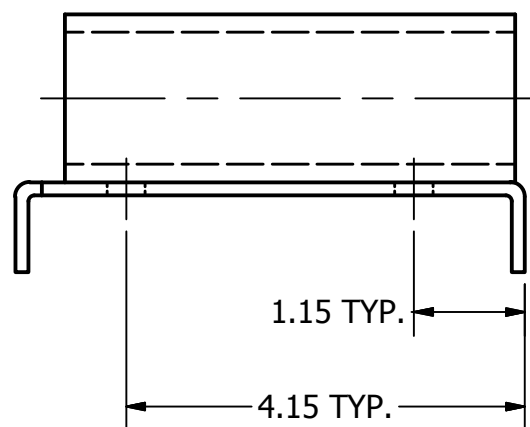
1

B

B



ISO
SCALE 1 : 2



A

A

NOTES:
 ALL DIMENSIONS IN INCHES
 MATERIAL: STEEL (UNLESS OTHERWISE SPECIFIED)
 10 GAGE (0.1345 THICK) STANDARD STEEL
 1.75 OD X 0.1875 WALL STEEL TUBE (A513 TYPE 5)
 WELD PER MARKING
 PAINT: ENAMEL BLACK

DRAWN	S4529674	8/7/2015	TITLE		
CHECKED					
QA					
MFG					
APPROVED			SIZE	DWG NO	REV
			B	WJJ-Bracket-2	
			SCALE	SHEET 1 OF 1	

4

3

2

1

