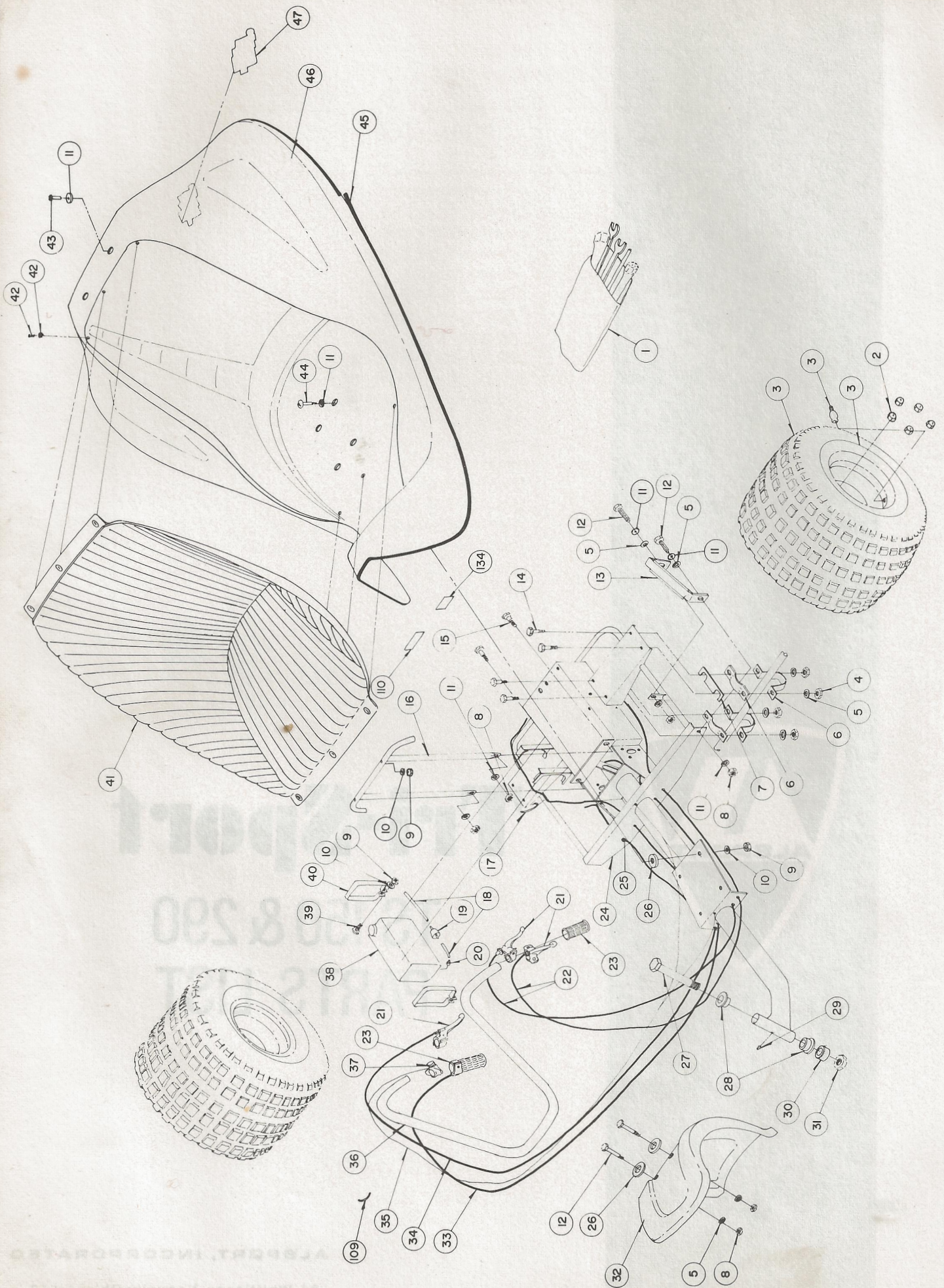


# Tri-Sport

## TS 150 & 290 PARTS LIST

ALSPORT, INCORPORATED

84 Whittlesey, Norwalk, Ohio 44857 •



TRI-SPORT TS 150  
SERVICE PARTS

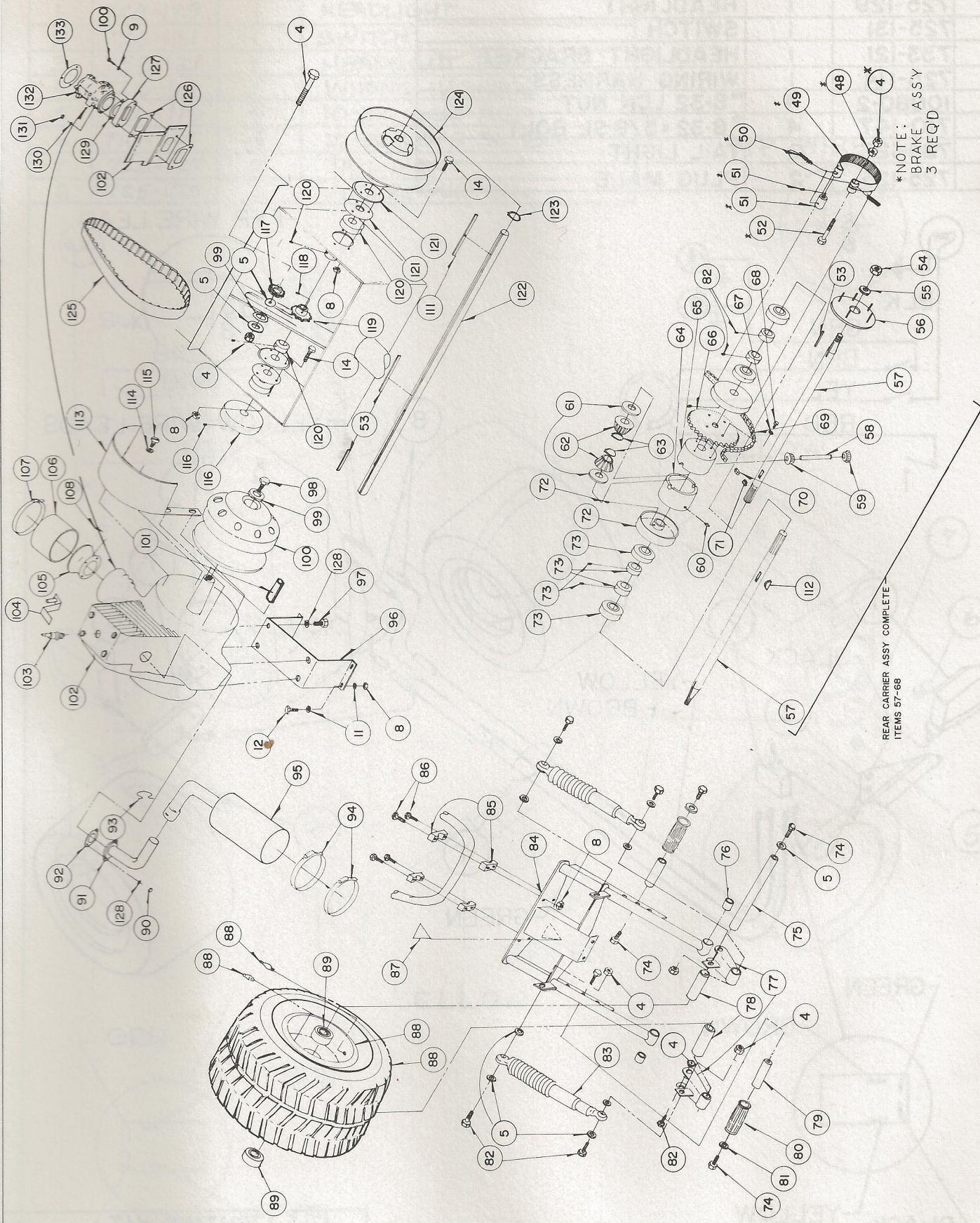
April 10, 1972

Item No.	Part No.	Quan.	Description
1	745-104	1	Tool Kit
2	712-104	10	Lug. Nut 1/2-20 N.F. (60° Chamfer)
3	734-100	2	Rear Tire Assy.
4	712-100	18	3/8-24 N.F. Hex Lk. Nut
5	736-102	20	3/8 USS Flat Washer
6	749-109	4	1" Pillow Block
7	733-153	As Req'd.	Shim Pillow Block
8	712-102	22	5/16-24 Lock Nut
9	712-101	4	1/4-20 NC Nut
10	736-103	4	1/4" Lockwasher
11	736-104	18	5/16 SAE Flatwasher
12	710-128	2	5/16-24 x 1" HHCS
13	733-147	1	Muffler Mount
14	710-125	14	3/8-24 x 7/8 HHCS
15	710-121	8	5/16-24 x 3/4 HHCS
16	733-139	1	Rear Seat Brace
17	749-104	2	Cable Tie Wrap
18	723-112-4	As Req'd.	Fuel Line 5/16 O.D. x 4"
18	723-112-24	"	Fuel Line 5/16" OD x 24"
19	723-111	1	In Line Fuel Filter
20	723-110	1	Gas Tank Fitting
21	746-100	3	Brake Lever 7/8 Dia.
22	746-109	2	Brake Cable
23	720-101	1	Throttle Grip & Dummy Grip
24	733-137	1	Frame Weld Assy
25	735-101	12	Grommet Rubber
26	735-100	6	Rubber Washer
27	710-100	1	King Pin Bolt
28	748-100	2	Flange Bearing
29	737-101	1	Grease Fitting 1/4-28
30	750-109	1	Spacer
31	712-105	1	3/4-10 NC Hex Lock Nut
32	751-106	1	Front Fender
33	746-102	1	Throttle Cable
34	746-110	1	Brake Cable
35	725-100	1	Magneto Ground Wire
36	720-100	1	Handle Bar
37	725-107	1	Kill Button
38	723-107	1	Fuel Tank w/Cap
39	710-144	2	1/4-20 NC x 1 1/2 Rd Hd Sc.
40	723-117	2	Fuel Tank Strap
41	723-101	1	Deluxe Seat Pad
42	749-113	6	Male Snap
43	710-130	2	1/4-20 NC x 1 1/2 HHCS
44	710-123	4	1/4-20 NC x 1 1/2 Carriage Bolt
45	749-105	1	Jiffy Trim
46	751-102	1	Deluxe Body
47	759-101	2	Tri-Sport Decals
48	712-103	6	3/8-24 NF Hex Nut
49	757-100	3	Brake Bands
50	732-100	3	Compression Spring

Item No.	Part No.	Quan.	Description
51	757-104	3	Brake Pin
52	710-102	3	3/8-24 NF x 2 HHCS
53	714-104	3	3/16 Sq. x 1 1/2 Key
54	712-114	2	5/8-18 Hex Lock Nut
55	736-126	2	5/8 SAE Flatwasher
56	733-140	2	Wheel Hub (Tapered)
57	711-110	2	Differential Axle
58	711-111	1	Carrier Pin
59	748-114	2	Carrier Gear
60	737-100	1	Grease Fitting
61	736-128	2	Washer
62	748-113	2	Axle Gear
63	716-104	2	Retaining Rings
64	719-102	1	RH Diff. Housing
65	719-103	1	LH Diff. Housing
66	748-115	1	40A54T Sprocket
67	736-127	4	5/16 Washer
68	710-140	4	5/16 HHCS
69	713-107	1	Drive Chain
70	713-100	1	No. 40 Master Link
71	713-106	1	No. 40 Offset Link
72	757-105	2	1" Brake Drum
73	741-103	4	1" Bore Bearing w/Lock Collar
74	710-118	6	3/8-24 x 7/8 Whiz Lock
75	711-100	1	Front Axle
76	750-107	2	Bolt Bushing
77	733-128	2	Spindle Mount
78	750-100	2	Front Wheel Spacer
79	711-101	2	Foot Rest Mtg. Bar
80	720-102	2	Foot Rest Grip
81	736-106	2	Snubbing Washer
82	710-116	7	3/8-24 NF x 1 3/4 HHCS
83	749-106	2	Shock Absorber
84	733-120	1	Front Fork Weld Assy (Shock Only)
85	711-107	4	Handle Bar Mount
86	710-105	4	5/16-24 x 2 1/4 HHCS
87	759-100	1	Alsport Logo
88	734-101	1	Front Wheel Assy
89	741-102	1	Wheel Bearing 3/4 Dia.
90	712-115	4	8 mm Hex Nut
91	733-149	1	Exhaust Tube
92	723-132	1	Gasket, Exhaust
93	732-101	1	1120 Ball Joint Retaining Spring
94	723-121	2	5" Dia. Clamp
95	733-152	1	Muffler & Pipe
96	733-143	1	Motor Mount
97	710-139	4	5/16-18 NC x 1 HHCS
98	710-134	1	1/2-20 NF x 2 1/2 HHCS
99	736-119	2	1/2" Star Washer
100	717-110	1	Driver Unit

Complete Assy  
PN 717-108

101	750-108	1	Crankshaft Ext.	
102	752-105	1	L-230 JLO Eng.	
103	749-112	1	Spark Plug (K-9) (Replacement Only)	
104	746-112	1	Throttle Cable Arm	
105	723-119	1	Air Horn HL Carb.	Purchase as 723-113 Assy
106	723-118	1	Air Filter	
107	723-120	1	Clamp	
108	710-146	As Req'd.	Screw 10-32 x 3/8 HL Carb.	
109	749-102	3	Cable Tie Wrap	
110	759-102	1	Off The Road Decal	
111	714-103	1	3/16 Sq. x 4 Key	
112	714-100	2	No. 9 Woodruff Key	
113	733-144	1	T.C. Shield	
114	736-122	3	3/8" Countersunk Washer	
115	710-137	3	3/8-16 x 7/8 Countersunk Bolt	
116	757-102	1	3/4" ID Brake Drum	
117	748-110	1	10T Idler Sprocket	
118	710-145	1	Set Screw 5/16"	
119	748-112	1	40B 10 Sprocket	
120	741-101	4	3/4" ID Bearing w/Collar	
121	749-110	4	3/4" Flange	
122	711-109	1	Jackshaft	
123	716-103	1	3/4" Hvy. Duty Snap Ring	
124	717-111	1	Driven Unit	
125	754-102	1	Drive Belt	
126	723-128	2	Gasket Eng. Carb.	
127	723-124	1	Carburetor Adaptor HL	
128	736-105	6	5/16 Lockwasher	
129	723-129	1	Gasket Carb.	
130	736-124	2	Washer, Waffle HL Carb.	
131	712-116	2	Nut M6 HL Carb.	
132	723-108	1	Carburetor HL	
133	723-130	1	Gasket Air Horn HL	
134	759-103	1	Serial Plate	

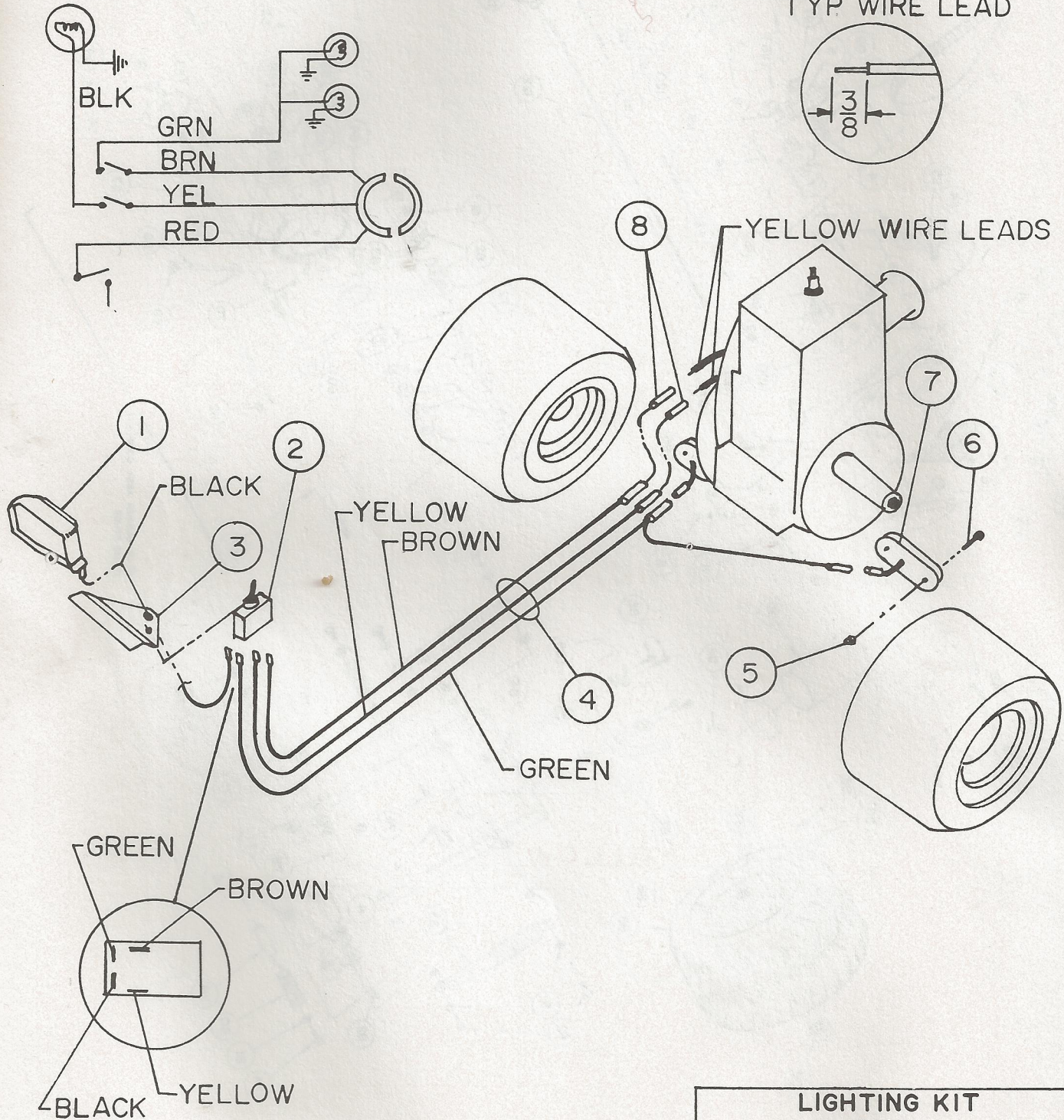
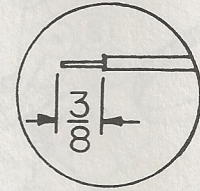


REAR CARRIER ASSY COMPLETE  
ITEMS 57-68

\*NOTE:  
BRAKE ASSY  
3 REQD

ITEM	PART NO	QUAN	DESCRIPTION
1	725-129	1	HEADLIGHT
2	725-131	1	SWITCH
3	733-121	1	HEADLIGHT BRACKET
4	725-114	1	WIRING HARNESS
5	10080-2	4	#8-32 LCK NUT
6	710-147	4	#8-32 x 5/8 SL BOLT
7	725-127	2	TAIL LIGHT
8	725-125	2	PLUG MALE

TYP WIRE LEAD

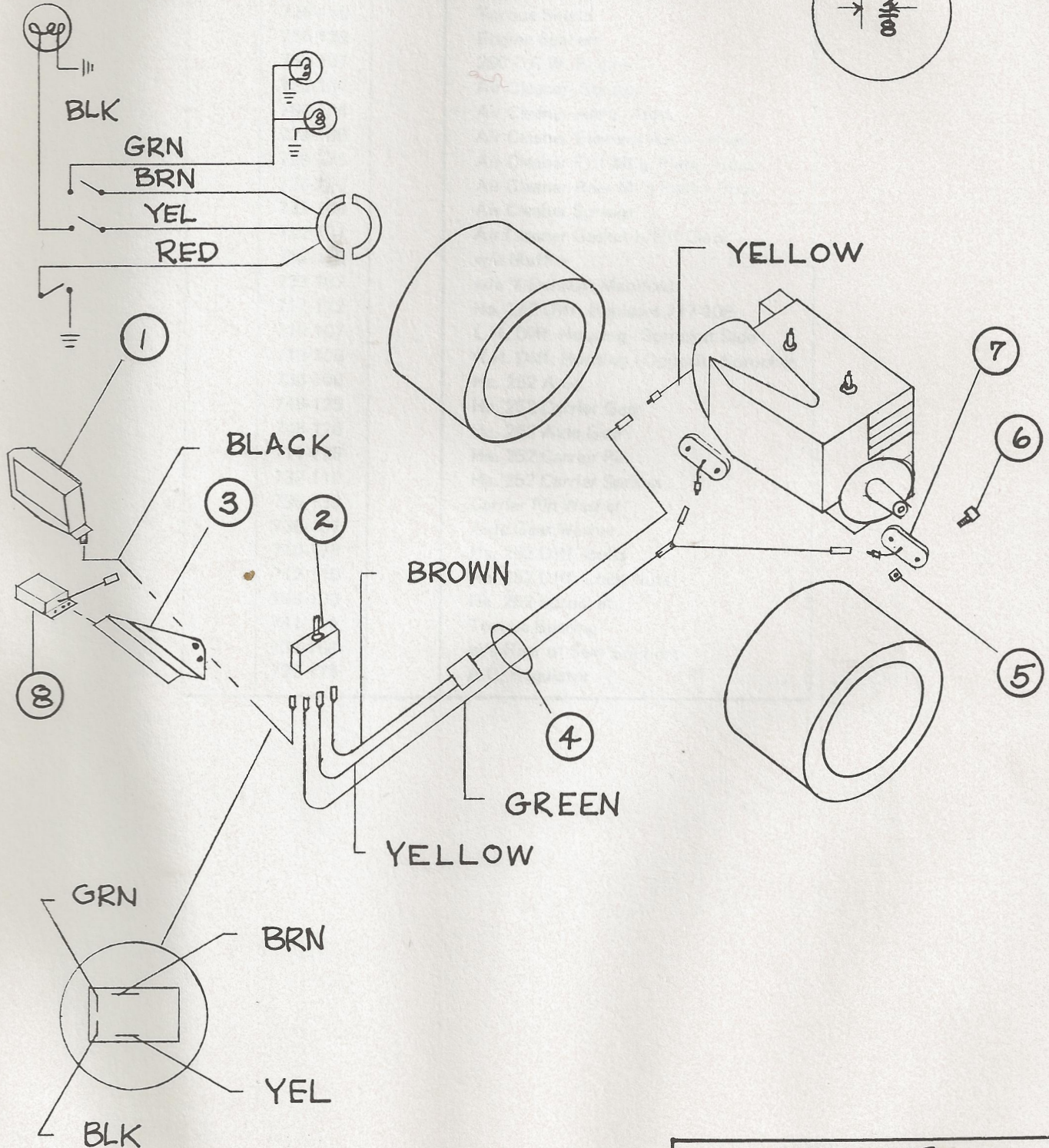
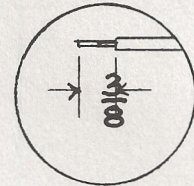


LIGHTING KIT  
TS150

760-119

ITEM	PART NO.	QUAN.	DESCRIPTION
1	725-129	1	HEADLIGHT
2	725-131	1	SWITCH
3	733-121	1	HEADLIGHT BRKT.
4	725-114	1	WIRING HARNESS
5	712-118	4	10-32 LCK NUT
6	710-147	4	10-32X 5/8 SL BOLT
7	725-127	2	TAIL LIGHT
8	725-175	1	A.C. REGULATOR

TYP WIRE LEAD



LIGHTING KIT TS-290	
	760-143



**TS-290  
SERVICE PARTS**

	Part No.		Description
	760-131		TS-290 Complete
	733-165		Frame
	726-109		Gas Tank Mt'g. Brkt.
	726-110		Torque Shield
	750-129		Engine Spacers
	752-107		290 C.C.W. Engine
	723-137		Air Cleaner- Stauton
	760-164		Air Cleaner Ass'y - Hoss
	723-156		Air Cleaner Element Ass'y - Hoss
	726-175		Air Cleaner Fr't Mt'g. Plate - Hoss
	726-176		Air Cleaner Rear Mt'g Plate - Hoss
	732-108		Air Cleaner Springs
	732-131		Air Cleaner Gasket h/HR Carb.
	733-170		w/a Muffler
	733-167		w/a Y-Exhaust Manifold
	717-122		Ha. 252 Diff. Replaces 717-108
	719-107		L.H. Diff. Housing - Sprocket Side
	719-108		R.H. Diff. Housing - Opposite Sprocket
	738-106		Ha. 252 Axle
	748-125		Ha. 252 Carrier Gear
	748-126		Ha. 252 Axle Gear
	711-125		Ha. 252 Carrier Pin
	732-110		Ha. 252 Carrier Springs
	736-135		Carrier Pin Washer
	736-137		Axle Gear Washer
	710-179		Ha. 252 Diff. Bolts
	712-110		Ha. 252 Diff. Lock Nuts
	748-120		Ha. 252 Sprocket
	741-106		Tongue Bearing
	733-166		w/a Rear of Seat Support
	725-175		A.C. Regulator

TS-150 & 290  
PARTS LIST

BEARING PARTS

Part No.	Description
100-100	A.C. Receptor
100-101	Washer for Receptor
100-102	1 degree Bearing
100-103	Ha. 153 Spindle
100-104	Ha. 263 Div. Lock Nut
100-105	Ha. 153 DHT Bolt
100-106	Axis end Washer
100-107	Camshaft Washer
100-108	Ha. 263 Camshaft Nut
100-109	Ha. 263 Camshaft Bolt
100-110	Ha. 263 Axle Nut
100-111	Ha. 263 Axle Bolt
100-112	Ha. 263 Axle
100-113	Ha. 263 DHT Housing for Receptor
100-114	Ha. 263 DHT Receptor
100-115	Washer
100-116	Washer
100-117	Washer
100-118	Washer
100-119	Washer
100-120	Washer
100-121	Washer
100-122	Washer
100-123	Washer
100-124	Washer
100-125	Washer
100-126	Washer
100-127	Washer
100-128	Washer
100-129	Washer
100-130	Washer
100-131	Washer
100-132	Washer
100-133	Washer
100-134	Washer
100-135	Washer
100-136	Washer
100-137	Washer
100-138	Washer
100-139	Washer
100-140	Washer
100-141	Washer
100-142	Washer
100-143	Washer
100-144	Washer
100-145	Washer
100-146	Washer
100-147	Washer
100-148	Washer
100-149	Washer
100-150	Washer
100-151	Washer
100-152	Washer
100-153	Washer
100-154	Washer
100-155	Washer
100-156	Washer
100-157	Washer
100-158	Washer
100-159	Washer
100-160	Washer
100-161	Washer
100-162	Washer
100-163	Washer
100-164	Washer
100-165	Washer
100-166	Washer
100-167	Washer
100-168	Washer
100-169	Washer
100-170	Washer
100-171	Washer
100-172	Washer
100-173	Washer
100-174	Washer
100-175	Washer
100-176	Washer
100-177	Washer
100-178	Washer
100-179	Washer
100-180	Washer
100-181	Washer
100-182	Washer
100-183	Washer
100-184	Washer
100-185	Washer
100-186	Washer
100-187	Washer
100-188	Washer
100-189	Washer
100-190	Washer
100-191	Washer
100-192	Washer
100-193	Washer
100-194	Washer
100-195	Washer
100-196	Washer
100-197	Washer
100-198	Washer
100-199	Washer
100-200	Washer