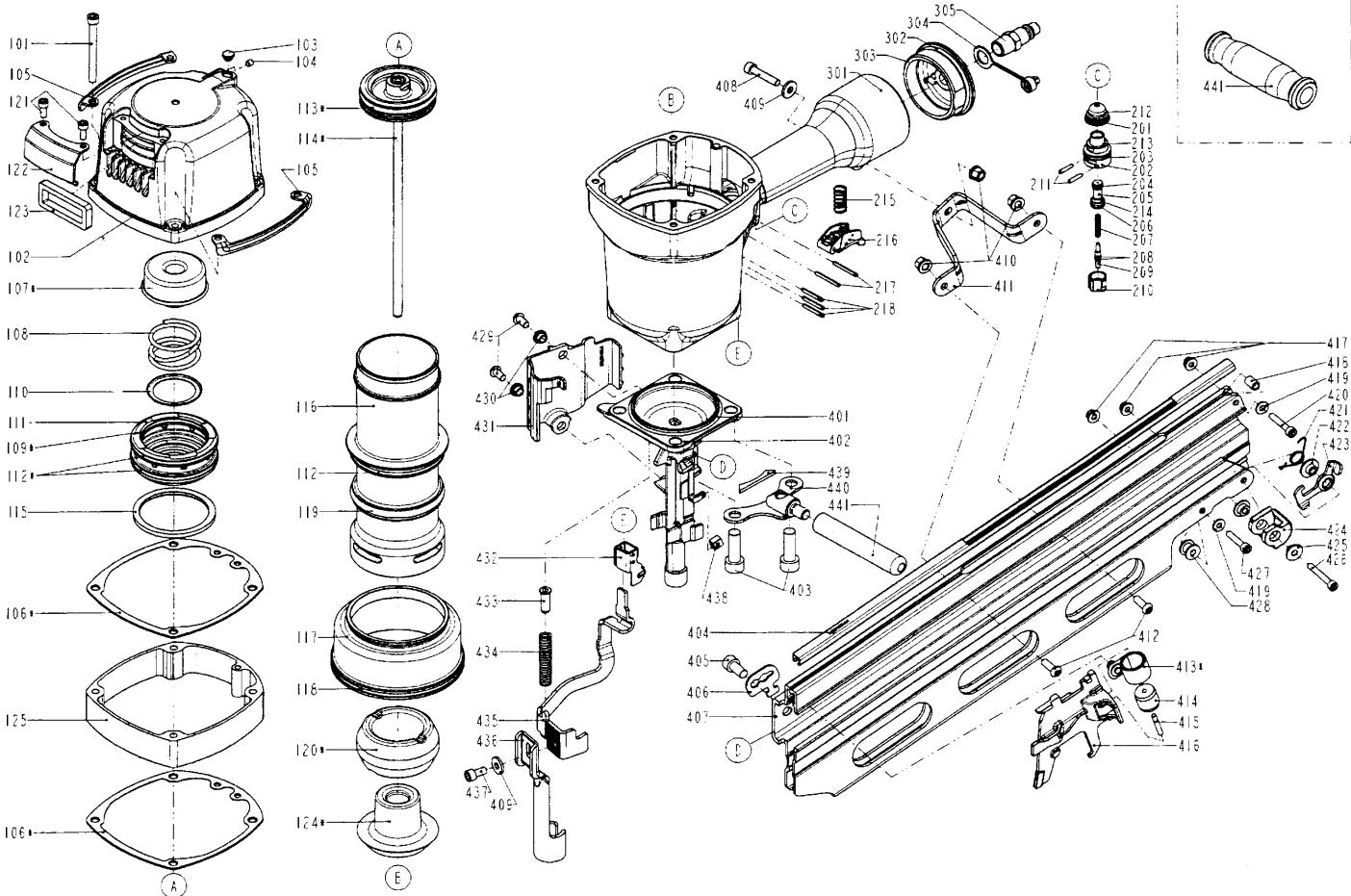


# DIAGRAM OF A22/130A



ITEM NO.	PART NO.	DESCRIPTION	ITEM NO.	PART NO.	DESCRIPTION	ITEM NO.	PART NO.	DESCRIPTION
101	2040101-04161-2	HEX.SOC.HD.BOLT	209	11375-0860002-1	PLUNGER	419	2040201-03040-0	FLAT WASHER
102	11369-1035301-1	CAP	210	11373-0860001-1	TRIGGER VALVE HEAD	420	2040101-03210-0	HEX.SOC.HD.BOLT
103	1135S-0350001-1	GROMMET	211	11329-0860001-1	PIN	421	1132F-0374701-1	LATCH SPRING
104	2040104-03010-0	HEX.SOC.HD.SCREW	212	1137A-0860001-1	COVER-PLUNGER	422	11381-0374701-1	WASHER
105	11397-1034701-1	GUIDE COVER	213	2041104-02070-0	O - RING	423	11343-0374702-1	LATCH
106	11302-1034701-1	CYLINDER CAP SEAL	214	2041100-01050-0	O - RING	424	1134W-1374701-1	FEED BUMPER
107	11370-1030001-1	SEAL	215	11376-0370001-1	SPRING	425	113BF-1374701-1	FEED BUMPER SPACER RING
108	11360-1030001-2	COMPRESSION SPRING	216	11224-1111101-2	TRIGGER UNIT	426	2040101-03200-0	HEX.SOC.HD.BOLT
109	2041108-06050-0	O - RING	217	2040401-05150-0	SPIRAL PINS	427	2040101-03110-0	HEX.SOC.HD.BOLT
110	11381-1030001-1	WASHER	218	2040401-05120-0	SPIRAL PINS	428	1133V-1374701-1	MAGAZINE SPACER
111	11368-1030001-1	HD.VALVE PISTON	301	11230-1455201-1	GUN BODY	429	2040102-04010-2	HALF ROUND HD.HEX.BOLT
112	2041108-07050-0	O - RING	302	2041101-05020-0	O - RING	430	1136L-1374701-1	PROTECTIVE INSERT
113	2041100-06011-0	O - RING	303	11346-0864301-1	END CAP	431	1134R-1374701-1	SPRING COVER
114	11204-1370001-2	DRIVER UNIT	304	1132L-0014701-1	DUSTY COVER	432	11386-0864701-2	SAFETY GUIDE
115	11399-1030001-1	COLLAR	305	1135V-0000007-1	AIR PLUG	433	11395-1374701-1	SAFETY ROD
116	11320-1370001-1	CYLINDER	401	2041104-08020-0	O - RING	434	11337-1374701-1	SAFETY SPRING
117	11321-1370001-1	CYLINDER SPACER	402	11382-1374701-1	NOSE PIECE	435	11332-1374701-1	SAFETY B
118	2041104-11010-0	O - RING	403	2040101-06010-2	HEX.SOC.HD.BOLT	436	11331-1374701-1	SAFETY A
119	2041108-07060-0	O - RING	404	11396-1374701-1	STEEL CHANNEL	437	2040101-04020-0	HEX.SOC.HD.BOLT
120	11327-1034702-1	BUMPER-A	405	2040101-05010-2	HEX.SOC.HD.BOLT	438	1134W-0374701-1	FEED BUMPER
121	2040101-03050-9	HEX.SOC.HD.BOLT	406	1135B-1374701-1	GUIDE	439	1135G-1114701-1	RUBBER PAD
122	11371-1034701-1	DEFLECTOR	407	11389-1374701-1	MAGAZINE A	440	1120K-1034701-1	SECOND HANDLE BASE UNIT
123	1132T-1030001-1	MUFFLER	408	2040101-04110-0	HEX.SOC.HD.BOLT	441	11215-1374701-2	HANDLE
124	11327-1034703-1	BUMPER-B	409	2040202-04010-0	FLAT WASHER	441	1137K-1030001-2	HANDLE
125	1130E-1115301-1	CAP	410	2040501-04010-0	BOLT CAP			
201	2041104-02060-0	O - RING	411	11323-1374701-1	POSITIONING SHEET			
202	11374-0860001-1	PLUNGER CAP	412	2040102-04060-0	HALF ROUND HD.HEX.BOLT			
203	2041100-02050-0	O - RING	413	11278-1370001-1	SPRING UNIT			
204	2041100-01070-0	O - RING	414	11386-0370001-1	ROLLING ELEMENT			
205	1133S-0860001-1	VALVE PLUNGER	415	2040403-07120-0	PIN			
206	2041100-01030-0	O - RING	416	11363-1374701-2	PUSHER			
207	11376-0860001-1	SPRING	417	2040201-03040-0	BOLT CAP			