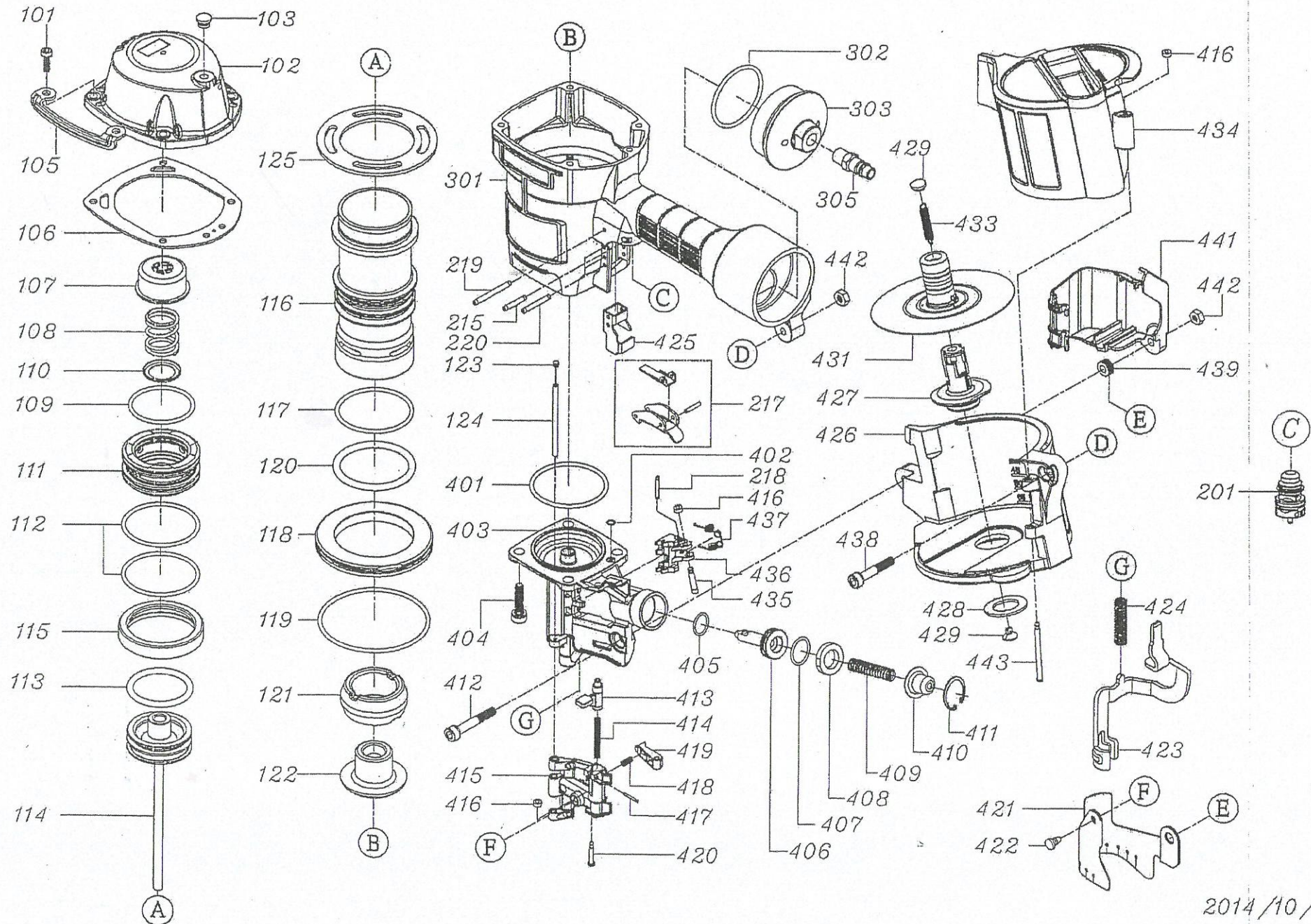


EXPLODED DIAGRAM OF IFTCN70



MODEL IFTCN70 PART LIST

Item #	Part #	PART NAME	Item #	Part #	PART NAME
101	CN70101	SCREW M6x30 (HEX.SOC.HD.BOLT)	404	CN70404	SCREW M8x28 (HEX.SOC.HD.BOLT)
102	CN70102	CYLINDER CAP UNIT	405	CN70405	O-RING
103	CN70103	GROMMET	406	CN70406	FEED PISTON
105	CN70105	PROTECTOR (GUIDE COVER)	407	CN70407	O-RING
106	CN70106	CYLINDER CAP SEAL	408	CN70408	FEED PISTON STOP (FEED BUMPER)
107	CN70107	PISTON STOP (SEAL)	409	CN70409	COMPRESSION SPRING (PUSHER SPRING)
108	CN70108	COMPRESSION SPRING	410	CN70410	SPRIG COLLAR (FEED PISTON CAP)
109	CN70109	O-RING	411	CN70411	RETAINING RING (C-RING)
110	CN70110	HEAD VALVE WASHER	412	CN70412	SCREW M6x40 (HEX.SOC.HD.BOLT)
111	CN70111	HEAD VALVE PISTON	413	CN70413	DOOR LATCH
112	CN70112	O-RING	414	CN70414	COMPRESSION SPRING
113	CN70113	O-RING 1A 4.9x43	415	CN70415	DOOR
114	CN70114	MAIN PISTON UNIT (DRIVER)	416	CN70416	RUBBER WASHER 7 (PU RETAINER)
115	CN70115	CYLINDER SEAL (COLLAR)	417	CN70417	ROLL PIN 3x12
116	CN70116	CYLINDER	418	CN70418	COMPRESSION SPRING (STOPPER FINGER SPRING)
117	CN70117	O-RING	419	CN70419	CHECK PAWL (NAIL STOP)
118	CN70118	CYLINDER RING (SPACER)	420	CN70420	STEP PIN 1286 (PIN-NAIL STOP)
119	CN70119	O-RING	421	CN70421	DUST COVER (MUZZLE PROTECTOR)
120	CN70120	O-RING	422	CN70422	DUST COVER HOOK
121	CN70121	BUMPER "A"	423	CN70423	CONTACT ARM (SAFETY)
122	CN70122	BUMPER "B"	424	CN70424	COMPRESSION SPRING (SAFETY SPRING)
123	CN70123	PIN CAP (GROMMET A)	425	CN70425	CONTACT ARM GUIDE (SAFETY GUIDE)
124	CN70124	STRAIGHT PIN (DOOR SHAFT PIN)	426	CN70426	MAGAZINE (CASE)
125	CN70125	CYLINDER SEAL	427	CN70427	MAGAZINE POST (ADJUST POST)
201	CN70201	SWITCH SET	428	CN70428	POST RETAINER (S-RING)
215	CN70215	ROLL PIN 3x32 AW	429	CN70429	RECEIVER, SPRING (SPRING BASE)
217	CN70217	TRIGGER SET	431	CN70431	NAIL SUPPORT UNIT (SPACER)
218	CN70218	SPRING PIN (SPIRAL PIN)	433	CN70433	TENSION SPRING (PULL SPRING)
219	CN70219	ROLL PIN	434	CN70434	MAGAZINE COVER
220	CN70220	ROLL PIN	435	CN70435	STEP PIN 1263 (PIN FEED PISTON)
301	CN70301	FRAME (GUN BODY UNIT)	436	CN70436	FEED PAWL (FEED FINGER)
302	CN70302	O-RING	437	CN70437	TORSION SPRING (FEED FINGER SPRING)
303	CN70303	END CAP	438	CN70438	SCREW M6x38 (HEX.SOC.HD.BOLT)
305	CN70305	AIR PLUG	439	CN70439	COLLAR (PROTECT WASHER)
401	CN70401	O-RING	441	CN70441	CONTACT ARM COVER (SPRING COVER)
402	CN70402	O-RING	442	CN70442	ELASTIC STOP NUT M6x1 (BOLT CAP)
403	CN70403	NOSE	443	CN70443	STEP PIN (MAGAZINE SHAFT PIN)