



Manual Roller Shades

Manual Roller Shades

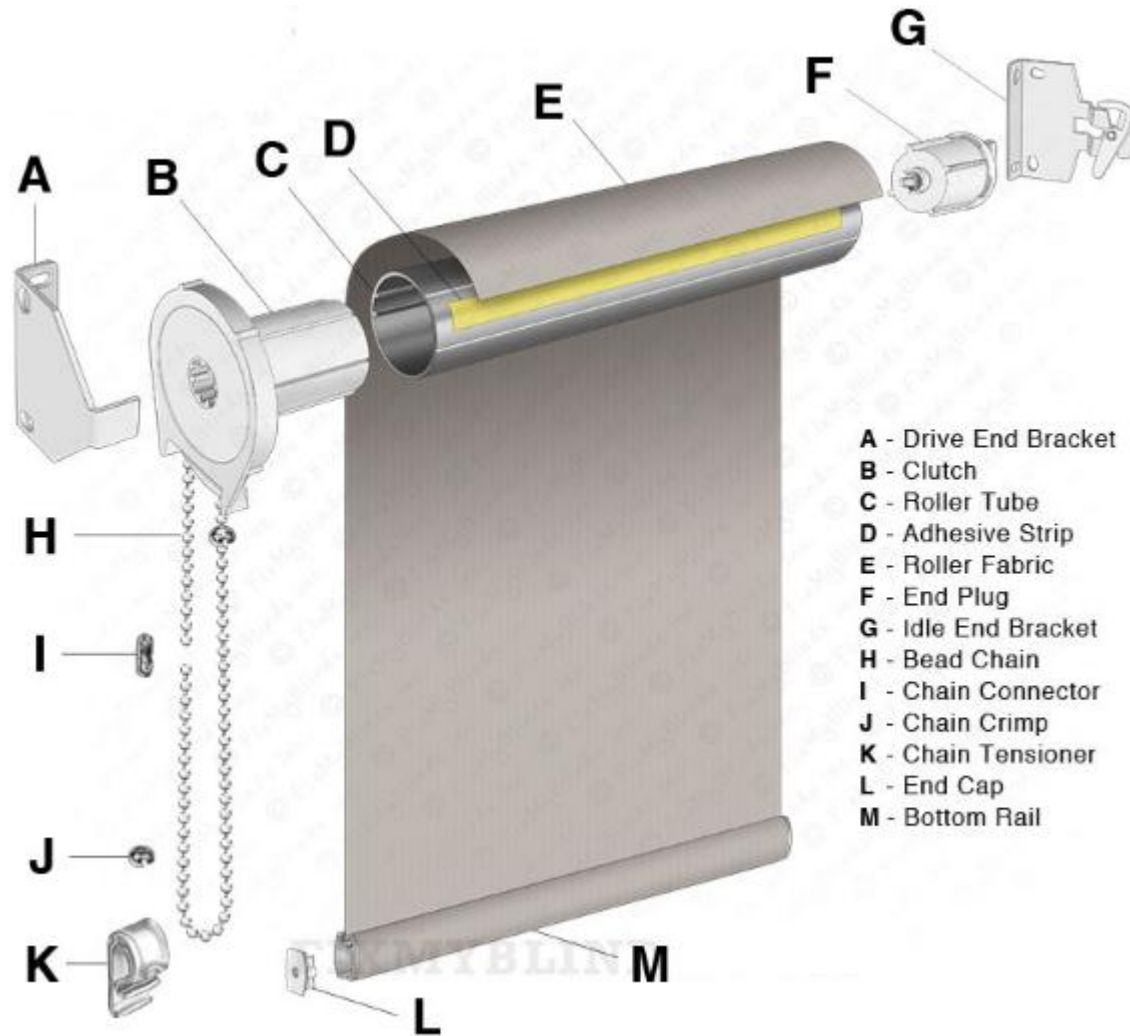


Manual Roller Shades

- High growth category
- Clean, trend right look for any decor
- Maintain the view to the outside
- Desirable benefits of the product- control temperature, UV, and glare
- Large window solutions



Manual Roller Shades



Product Overview

Operating Systems



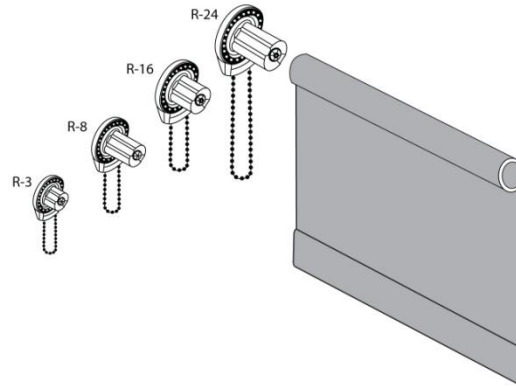
Manual Roller Shades

Operating Systems

- Crank



- Clutch & Chain



- Spring Assist



Manual Roller Shades

Operating Systems

Clutch & Chain or Cord Loop

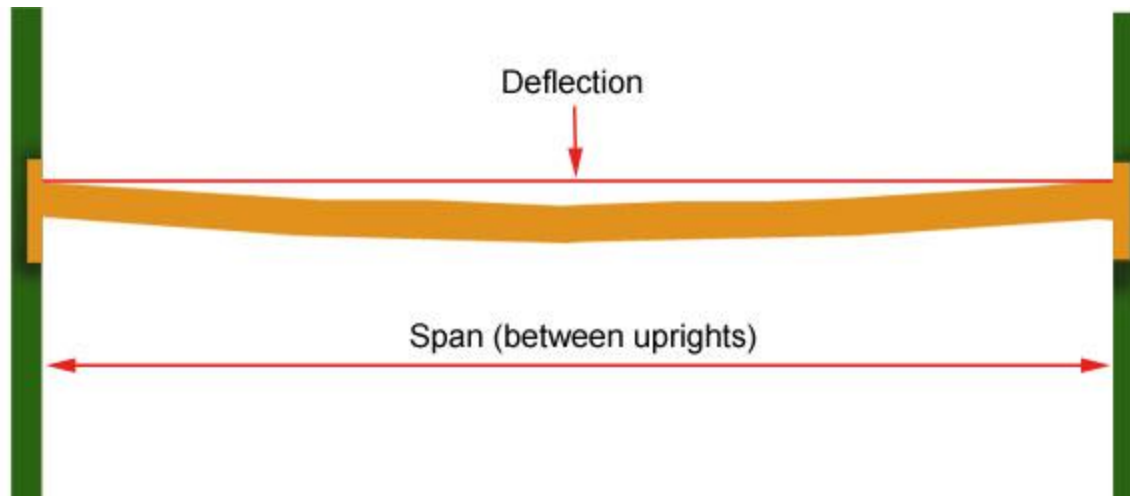
- Zero friction clutch, allows for smooth and quiet operation, extending the product life of your shade.
- Shades stay exactly where you want them, with no slippage.
- Limit Stops are used to prevent shade from being raised or lowered too far
- Requires no adjustments or lubrication over time
- Clutch comprised of military grade plastics
- Stainless steel #10 beaded chain rated up to 90 lbs minimum breaking strength
- Clutches are available in three sizes, with varying lift capacities, in order to accommodate shades of all sizes up to 24 lbs, while keeping the maximum pull force to lift any size shade under 8 lbs
- For shades over 24 lbs a galaxy clutch or spring assist would be recommended to keep the required pull force under 8lbs.
- Galaxy clutches are capable of reducing the required pull force to lift shades over 50 lbs. by up to 60%
- Varying tube profiles to prevent deflection



Manual Roller Shades

What is Deflection?

Deflection explained...



- Deflection is the degree to which an element is displaced under a load.
- Varying tube profiles required to cover a wide range of spans
- The wider the span, the larger the tube profile needs to be to prevent deflection



Manual Roller Shades

Operating Systems

Spring Assist

- Our clutch operated, cord loop system is comprised of a military grade plastic and high carbon steel spring
- Zero friction clutch, allows for smooth and quiet operation, extending the product life of your shade.
- Shades stay exactly where you want them, with no slippage.
- Stop Limits can not be used to prevent shade from being raised or lowered too far
- Requires no adjustments or lubrication over time
- Clutch comprised of military grade plastics
- For shades up to 30 lbs a spring assist would be recommended to keep the required pull force under 6lbs.
- Must use software to calculate the proper amount of tension based on size of shade



Manual Roller Shades

Controls

Left or Right Side Controls



Manual Roller Shades

Operating Systems

	Skyline	R-Series
Shade Types	Standard, Dual, Coupled	Standard, Dual, Coupled
Clutch Sizes	SL10, SL15, SL20, SL30	R8, R16, R24
Clutch Colors	White, Black, Gray, Vanilla	White, Black
Idle End	Spring	Pin
Fascia Notched	Notchless	Notched
Fascia	3", 4", 7-5/8"	3", 4", 7-5/8"
Spring Assist	Yes	Yes
Universal Brackets	Yes	No



Product Overview

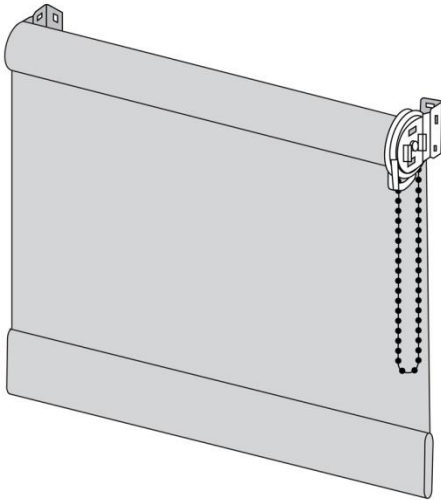
Shade Options



Manual Roller Shades

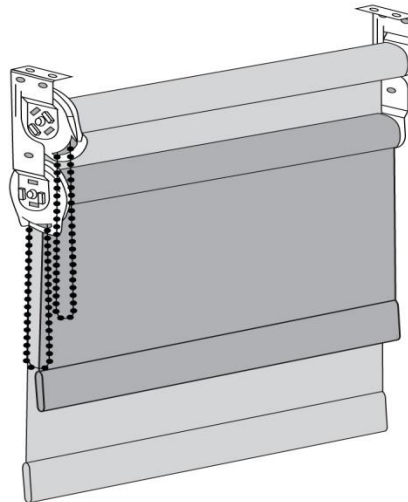
Options & Features

- Standard Shade



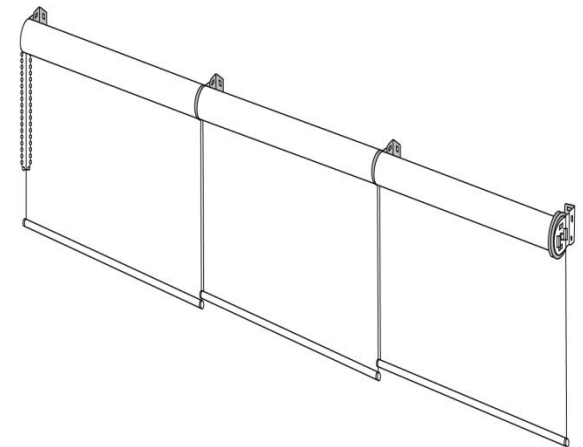
A cord loop opens and closes the shade smoothly and evenly. A special clutch system keeps the shade at the desired height.

- Dual Shade



This system gives added privacy. Use a blackout vinyl fabric for the back, and a more translucent fabric for the front.

- Coupled Shade



Easily control and adjust up to three linked roller shades at the same time to exactly the same height. The extra interior support greatly reduces fabric tracking through the link.



Manual Roller Shades

Options & Features

Graphic Shades

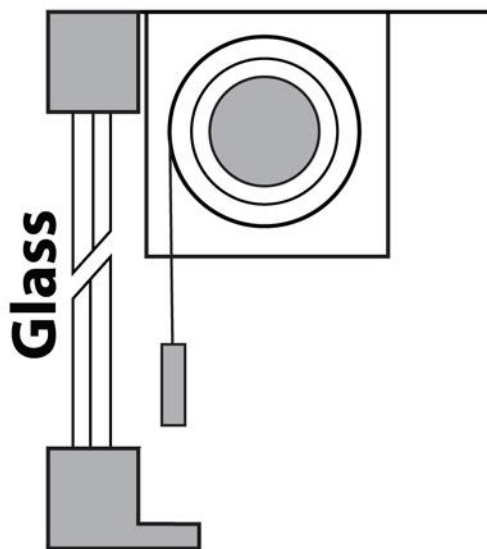


Manual Roller Shades

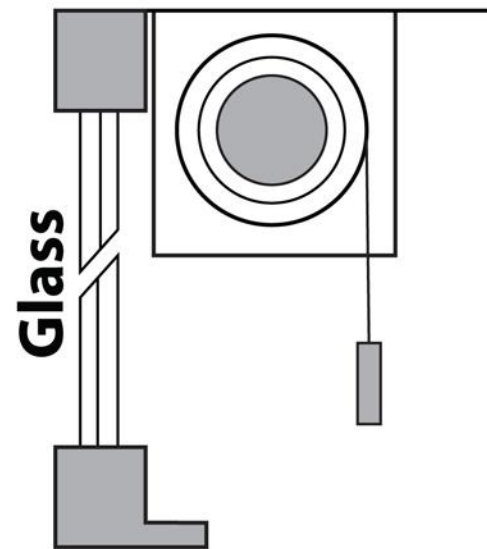
Options & Features

Reverse Roll

- When standard roll interferes with window or door hardware then reverse roll is a good option
- When using reverse roll you can only use standard bracket system and hardware. No fascia, cassette or pocket



Standard Roll



Reverse Roll



Manual Roller Shades

Fascia, Pocket, and Blackout Channels

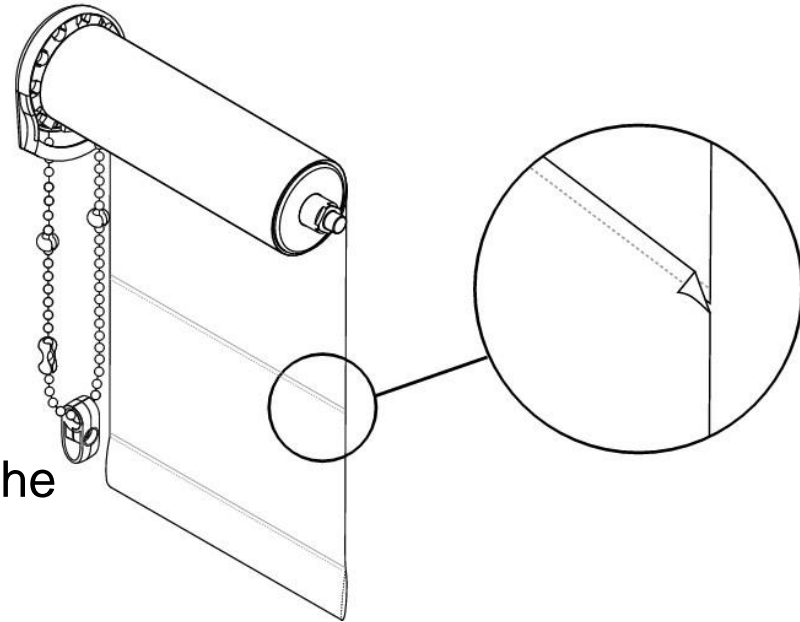
- Powder coated process in select colors
 - Matte vs. gloss finish
- Clear anodized or bronze anodized finish
 - Very high-end, clean look
 - Acid etch finish
 - Durable, quality



Manual Roller Shade

Fabric Options

- **Solar Fabrics**
 - Array of different openness/colors to fit a customer's need
 - Set customer's expectations
- **Blackout Fabrics**
 - Ideal for presentation rooms
 - Be aware of light gap! Sell side channels!
- **Railroading**
 - Required when width of window exceeds the maximum fabric width
- **Seaming**
 - Required when the width and height exceed the maximum fabric width



Manual Roller Shade

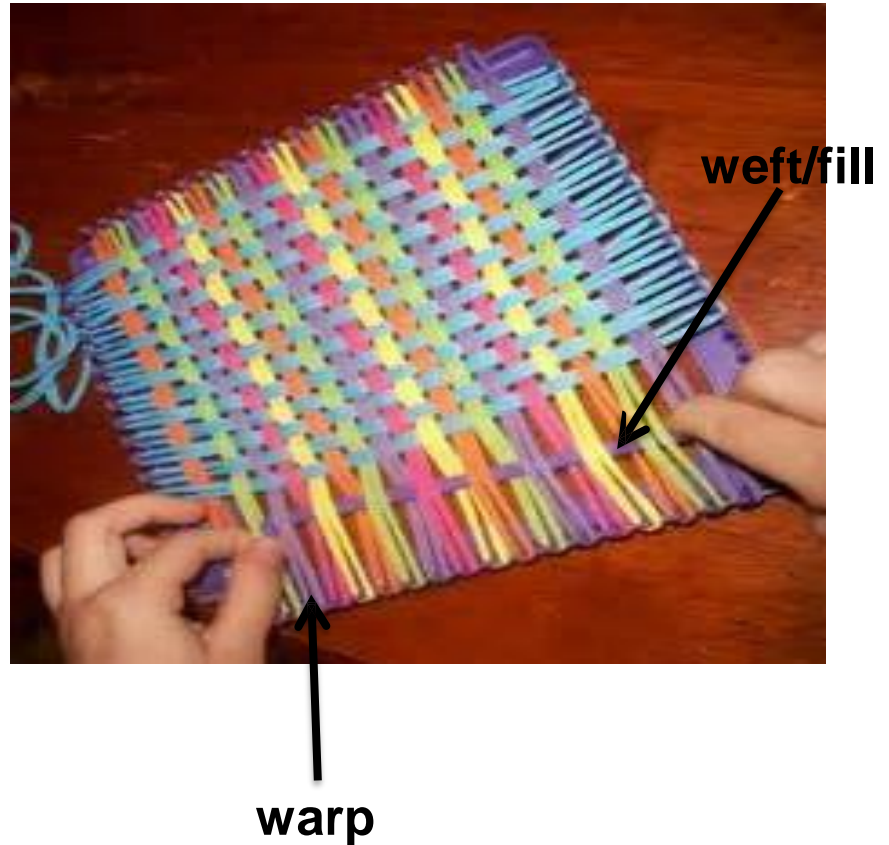
Solar Fabric 101

Warp – Consistent throughout the processes

Weft/Fill – crosswise threads on a loom that go over and under the warp

Openness – Amount of light can pass through

Core yarn – fiberglass or polyester and is coated with PVC



Manual Roller Shade

Weave Types

- 2x2 Thin Basketweave
- 2x2 Thick Basketweave
- 1x1 Plainweave
- Twills
- Jacquards



Manual Roller Shade

Solar Optical Properties

Solar Transmittance (T_s) - % of solar radiation hitting the fabric that is transmitted through the fabric illuminating the inferior space

Solar Reflectance (R_s) – Proportion of solar radiation hitting the fabric that is reflected by the fabric

Solar Absorption (A_s) - % of the solar radiation hitting the fabric that is absorbed by the fabric



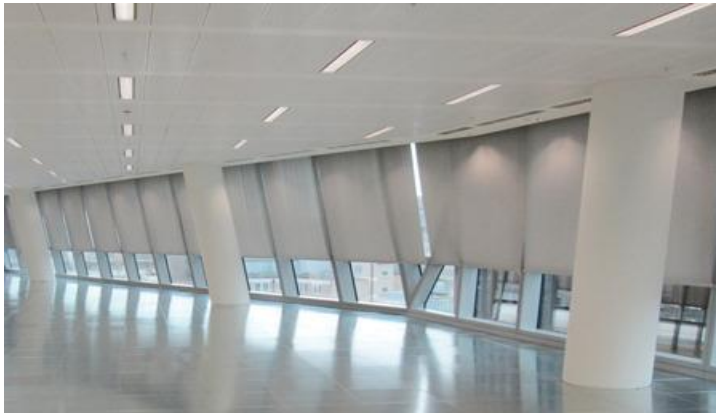
Specialty Applications



Bottom Up Shade



Exterior Shade



Incline Shade



Sky Light Shade



Troubleshooting

Visit MAGconnect to provide the expertise...

[HOME](#) [OUR COMPANY](#) [WORKING FOR MAG](#) [EVENTS](#) [WATER COOLER](#) [FORMS & DOCUMENTS](#) [RESOURCE CENTER](#)

Product Support

Getting Started Guide

[Understanding Window Coverings & Shading Strategy](#) +

[Types of Window Coverings](#) +

[Understanding Various Operating Systems](#) +

[Understanding Various Styles & Options](#) +

[How to Select a Window Covering](#) +

[How to Measure for a Window Covering](#) +

[How to Install Window Coverings](#) +

[How to Clean Window Coverings](#) +

[How to Repair Window Coverings](#) -

[Aluminum & Vinyl Blind Troubleshooter](#)

[Wood & Faux Wood Blind Troubleshooter](#)

[Vertical Blind Troubleshooter](#)

[Roller Shade Trouble Shooter](#)

You can also visit our YouTube for video content...



MAG Resources, LLC

Thank you!



Visit www.magresources.net/Resource Center for more info, literature and data sheets on all products we offer



Visit www.magconnect.net/Resource Center/Product Support for more product support including troubleshooting



Visit www.youtube.com/channel/UCG9YJ1MFwktodskdDhyD1Gw for video content on all of our product offerings, install and repairs

