

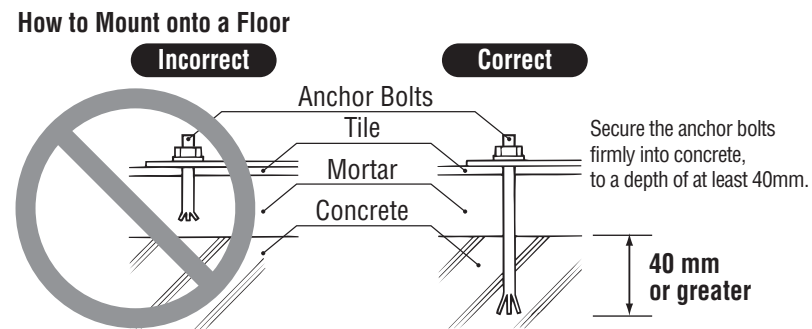
## Baby Rest Fit FL Installation Manual (to a flat surface)

In order to safely install the Baby Rest Fit FL to a flat surface, please make sure you read this manual and follow the instructions accordingly. This guide explains how to attach the Baby Rest Fit FL to a wall. To attach the Baby Rest Fit FL in a corner, please refer to the Installation Manual supplied with the Corner Mounting Kit, sold separately.

### WARNING

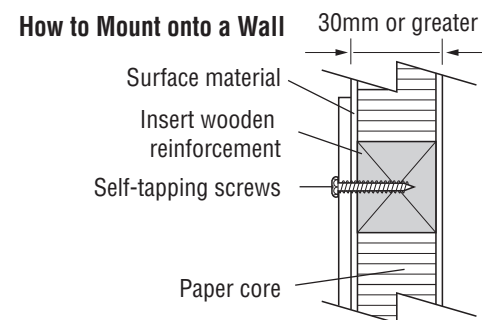
- Fix the Baby Rest to both the floor and the wall. The Baby Rest may fall if attached only to a floor.

- Select the anchor bolts that can be firmly secured into concrete, to a depth of at least 40mm. This product may collapse if the anchor bolts are connected to a mortar surface.

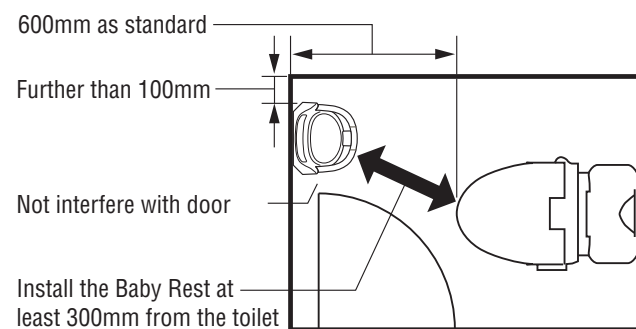


- Apply foundational reinforcement if the wall surface is other than concrete. \*Make sure that each mounting point can withstand a strength of 200 N (20 kgf or more). Failure to do so may result in fall.
- When mounting to drywall with self-tapping screws, reinforce the mounting points with light gauge steel (studs or cross-braces), or reinforcement plywood along with the screws. Failure to do so may result in fall.

- When mounting to a partition with self-tapping screws, insert snug-fitting wood reinforcement of at least 30 mm at the mounting points. Failure to do so may result in fall.



### Reference Example of Mounting Location



- Install on a wall at least 600mm away from the toilet, or insure 300mm of space between the Baby Rest Fit FL and toilet.

### WARNING

If installing the Baby Rest Fit FL in a private restroom, install the Baby Rest Fit FL in a location where the child can be seen by the adult using the restroom at all times.

### CAUTION

The Baby Rest Fit FL should be installed clearly from door space. otherwise it may cause damage.

### Types of Screws used for Wall-mounting

① to ③ indicate the types of wall surface below.

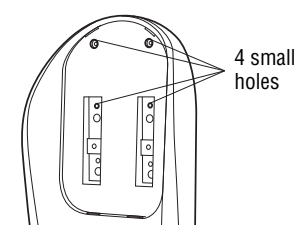
\*Only self-tapping screws and washers are supplied with the Baby Rest Fit FL. Parts other than the supplied hardware will need to be obtained separately.

#### ① Partition/Plasterboard Installation

##### Self-tapping screws

φ5x35 self-tapping screws (supplied with Baby Rest Fit FL)

φ5 washers (supplied with Baby Rest Fit FL)



##### Partition Reinforcement

Place a piece of wooden reinforcement at least 30mm in thickness inside the wall  
\*Note that installing reinforcement wood is extremely important.

##### Plasterboard Reinforcement

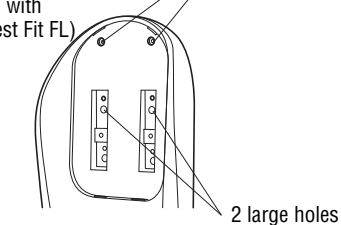
Reinforce plasterboard with a light-weight steel frame, t12 plywood, or t2.3 iron plate.

#### ② Concrete/ALC Installation

##### Screws for use on concrete

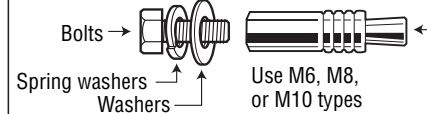
φ5x35 → 2 small holes

φ5 washers (supplied with Baby Rest Fit FL)



##### Female screw anchor bolts

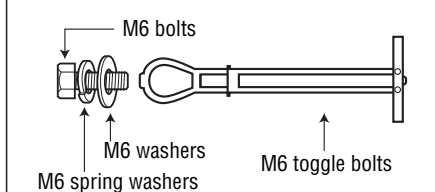
\*Use ALC-specific anchors for ALC installation



Do not use male screw anchor bolts, as it may not be possible to attach the head pad.

#### ③ Hollow Block Installation

##### Toggle bolts



4 small holes

### Parts Included

<b>1</b> Washers (φ10), 3 	<b>2</b> Self-tapping screws (φ5x35), 4 	<b>3</b> Washers (φ5), 4 	<b>4</b> Screw caps, 2 	<b>5</b> Head pad, 1 
<b>6</b> Usage instructions sticker, 1 	<b>7</b> Guide stickers, 2 	<b>8</b> Braille sticker, 1 	<b>9</b> Users Manual, 3 Installation Manual, 3 	

See back for mounting instructions.

\*For information on products, contact the distribution agency.

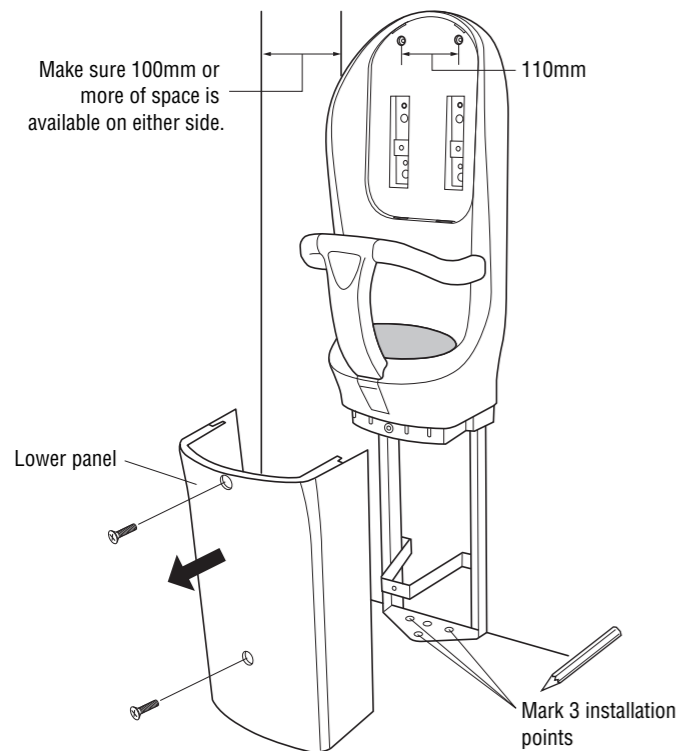
Manufacturer **Combi Corporation**  
2-6-7, Motoasakusa, Taito-ku, Tokyo 111-0041 Japan

Distributor **CombiWith Corporation**

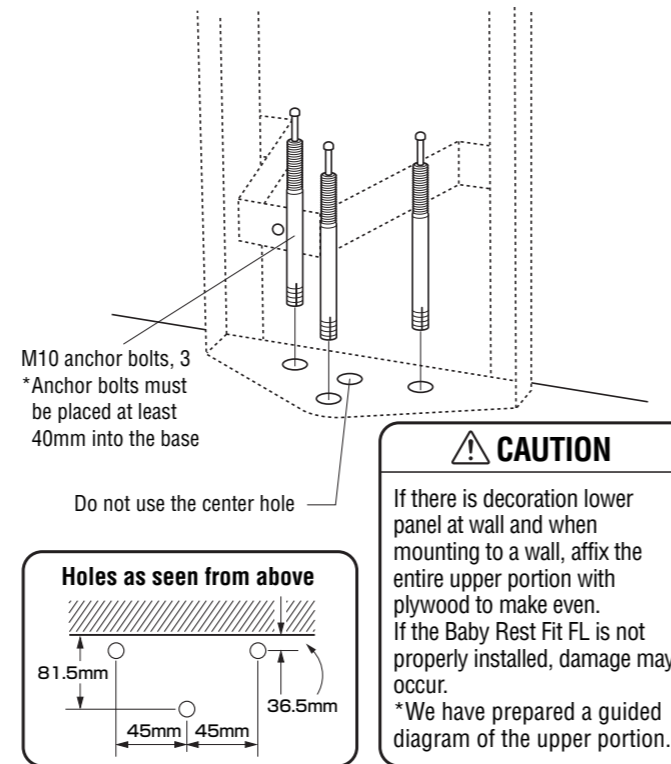
Head Office/2-6-7, Motoasakusa, Taito-ku, Tokyo 111-0041 Japan  
TEL : 81-3-5828-7631 FAX : 81-3-5828-7630  
www.combiwith.co.jp/

# Installation Instructions \* Hole positions are all center pitch (center-to-center) dimensions.

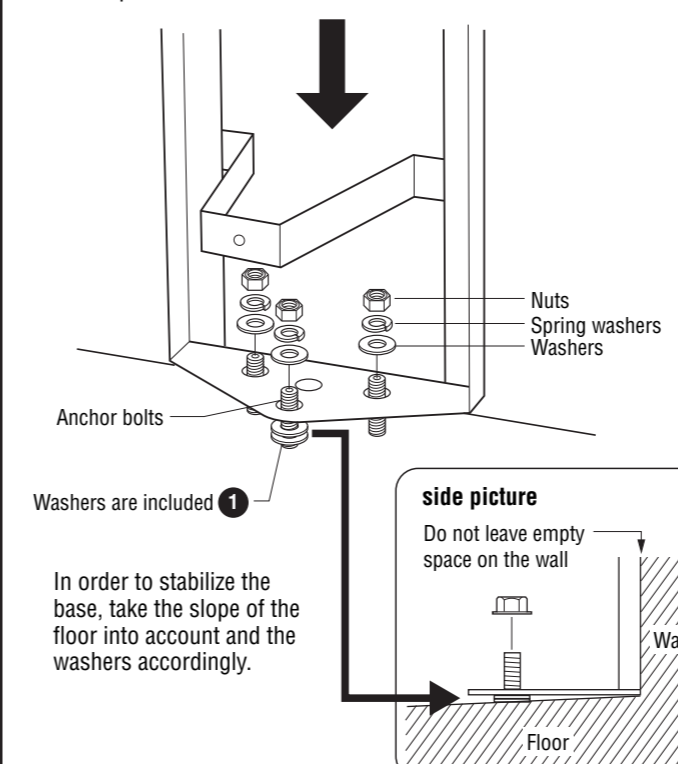
**1** Remove screws on the lower panel. Confirm and mark installation points.



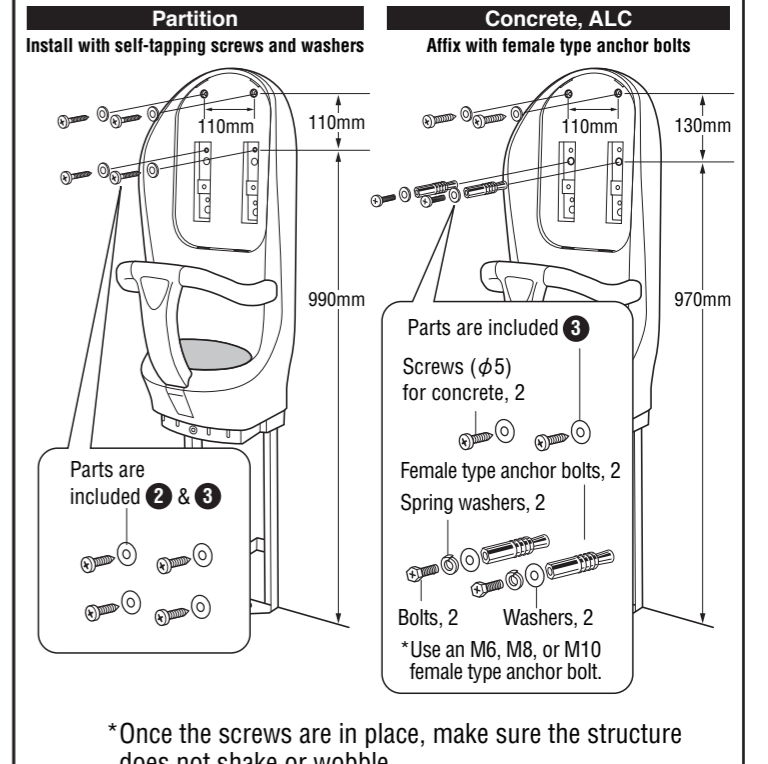
**2** Remove the base, and screw in the three anchor bolts where indicated.



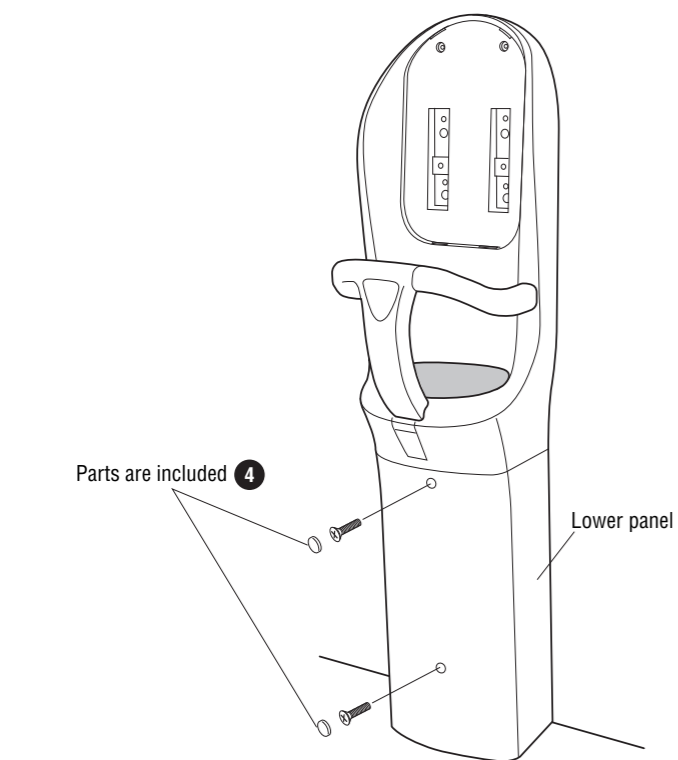
**3** Return the base to its original location as indicated above, and fix the Baby Rest Fit FL to the floor at three mounting points.



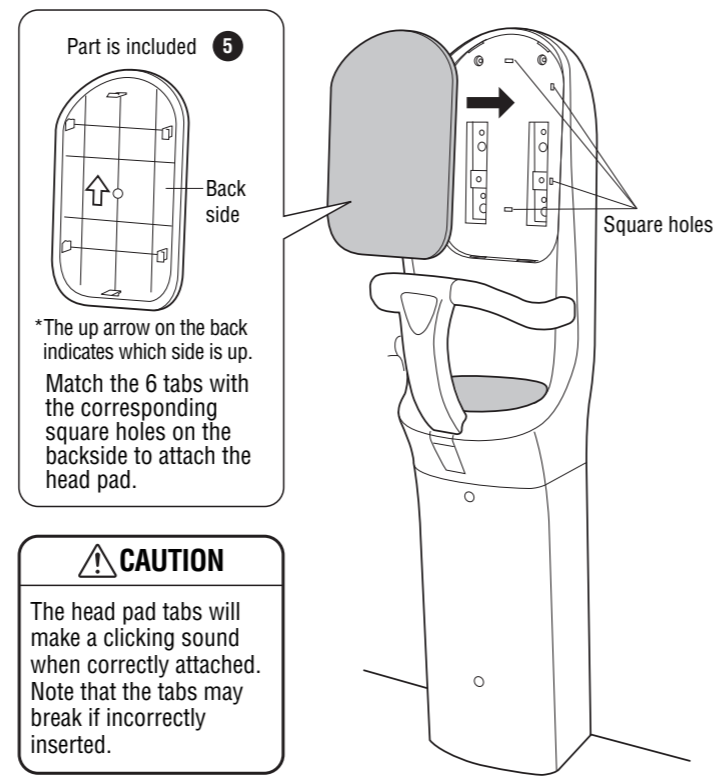
**4** Fix the Baby Rest Fit FL to the wall at four mounting points (Refer to "Types of Screws Used for Wall-mounting" on the other side of this instructions)



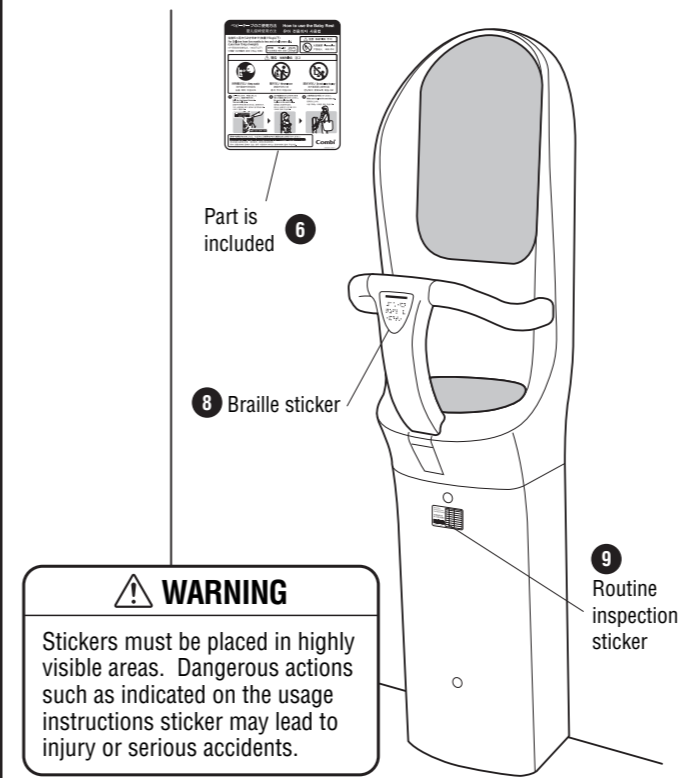
**5** Attach the lower panel.



**6** Attach the head pad. (Make sure the correct side is up.)



**7** Put ⑥ stick near the product  
Put ⑧ & ⑨ stickers on the product.



**8** Affix the guide stickers to the rest room entrance and to the stall doors.

