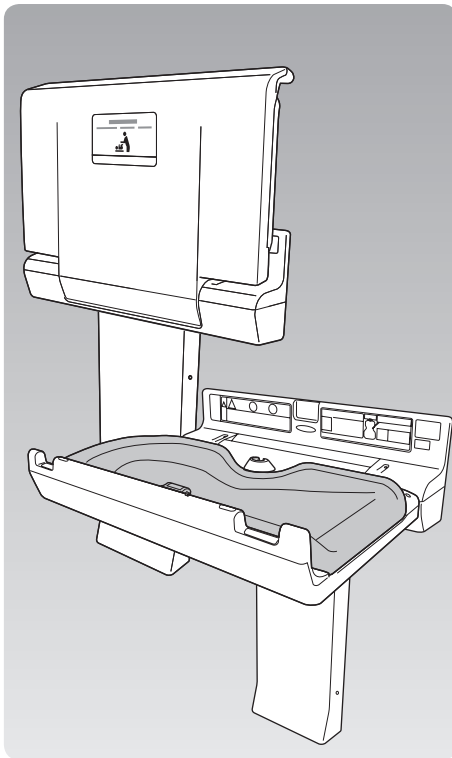
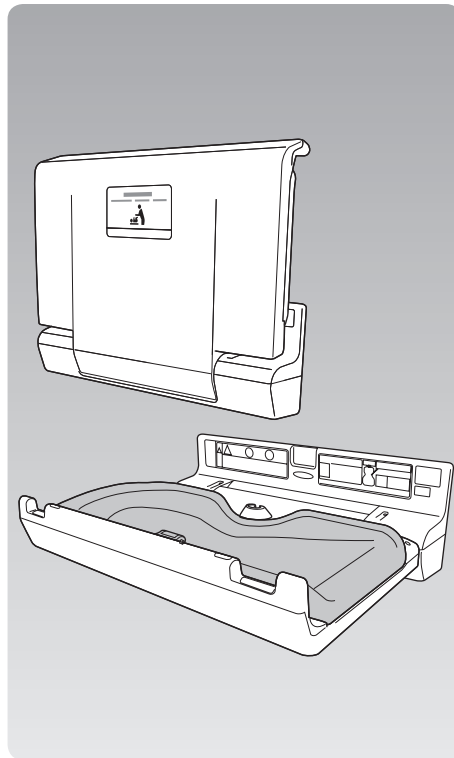


Save This Manual for Future Reference

Combi Horizontal Diaper Changing Station Instruction Manual and Inspection Manual



Combi Horizontal Diaper Changing Station
OK21F
<Floor Mount Type>



Combi Horizontal Diaper Changing Station
OK21W
<Wall Mount Type>

This manual contains information required for safe and comfortable use of Combi Horizontal Diaper Changing Station OK21. Read this manual carefully before use to ensure correct use and inspection. Keep this manual carefully.

Table of Contents

■ Instruction Manual	Page 2-6
■ Inspection Manual	Page 7-14
Daily Inspection	Page 7-10
Periodic Inspection	Page 11-14
■ Part Replacement Procedure	Page 15-19
Replacement Procedure for Retractor	Page 15-19
Replacement Procedure for Receiver (Buckle Holder)	Page 19



Combi Horizontal Diaper Changing Station OK21 Instruction Manual

1 Usage of Product


This is a foldable diaper changing station installed in the facility. This is a horizontal type in which the user stands on the side of the wall and changes diaper.

2 Safety Guidelines for Using the Product


If the Product is not used in compliance with the content of this instruction manual, it may cause a risk of injury to the child or the user or a risk of property damage. The content related to safety is separated into Warnings and Cautions depending on the severity of the risk. Read these guidelines before use and follow them to ensure safety.

 Warning	Ignoring the instructions or misuse may result in severe injury or death.
 Caution	Ignoring the instructions or misuse may result in injury or property damage.

3 Precautions

 Warning	<ul style="list-style-type: none"> ● Do not modify the product. It may cause unexpected accident.
	<ul style="list-style-type: none"> ● Daily inspections and periodic inspections are required to ensure safe use of the product. If the inspections are not carried out, degradation or damage of the Product may not be discovered, which may cause injuries or serious accidents.
	<ul style="list-style-type: none"> ● Do not leave the product needs repair. If it is used by mistake or if a child plays with it, it may cause injury or serious accident.
	<ul style="list-style-type: none"> ● Do not use the product other than the intended purpose.

For the inspection, refer to page 7-14, "Inspection Manual".

 Caution	<ul style="list-style-type: none"> ● Do not use the product for purposes other than changing diaper for children of the applicable age. Doing so may cause a damage on the product. ● Do not use a malfunctioning product. This can lead to accidents. If you find a malfunction, make sure the product cannot be use by placing a sign, and contact the sales agent for repair.
--	--

This product dedicates to changing a diaper for children. Please clean regularly to keep immaculate after installation.

After inspection or replacing parts, make sure to clean the product.

Cleaning Method

- To clean the Product, wipe it with a dampened cloth with diluted neutral detergent, then wipe with a dampened cloth with water, and finally wipe with a dry cloth to completely remove remaining detergent and moisture.

⊘ Caution

Do not splash water with a hose or expose the product to extreme moisture. Corrosion of components may cause the product to fall off, resulting in personal injury or serious accident.

⚠ Caution

Use only neutral detergent for cleaning. (Other detergents may damage the plastic parts causing degradation, discoloration or cracks.)

4 Product Specifications

Product Type	Foldable Diaper Changing Station	
Product Number	OK21F	OK21W
Product Name	Combi Horizontal Diaper Changing Station OK21F	Combi Horizontal Diaper Changing Station OK21W
Specifications	Retractable Belt Floor Mount Type	Retractable Belt Wall Mount Type
Applicable Age	For Children from 1 month to 2.5 Years Old (30 months)	
Maximum Load	up to 15kg	
Maximum Load	Maximum Load of Each Surface : 40kg (Holding Cushion : 15kg, Baggage Space : 15kg, Baggage Hook : 5kg on each)	
Product Dimension (Standard Specification)	[Close] W772 X D155* X H1,323mm * Reference Only It can be adjusted between D141 to 176 during the installation [Open] W772 X D611 X H972mm	[Close] W772 X D155* X H1,323mm * Reference Only It can be adjusted between D141 to 176 during the installation [Open] W772 X D611 X H264mm
Product Weight (Standard Specification)	23kg	18kg
Color	Clear White (CW)	
Materials	Main Body: Steel (with rust proof), ABS Plastic Cushion : TPO Leather	
Product Life	7 Years (excluding maintenance parts) The product must be replaced at the end of the product life.	

* Maintenance parts means the parts such as holding cushions, plastic covers, or stickers for replacement.

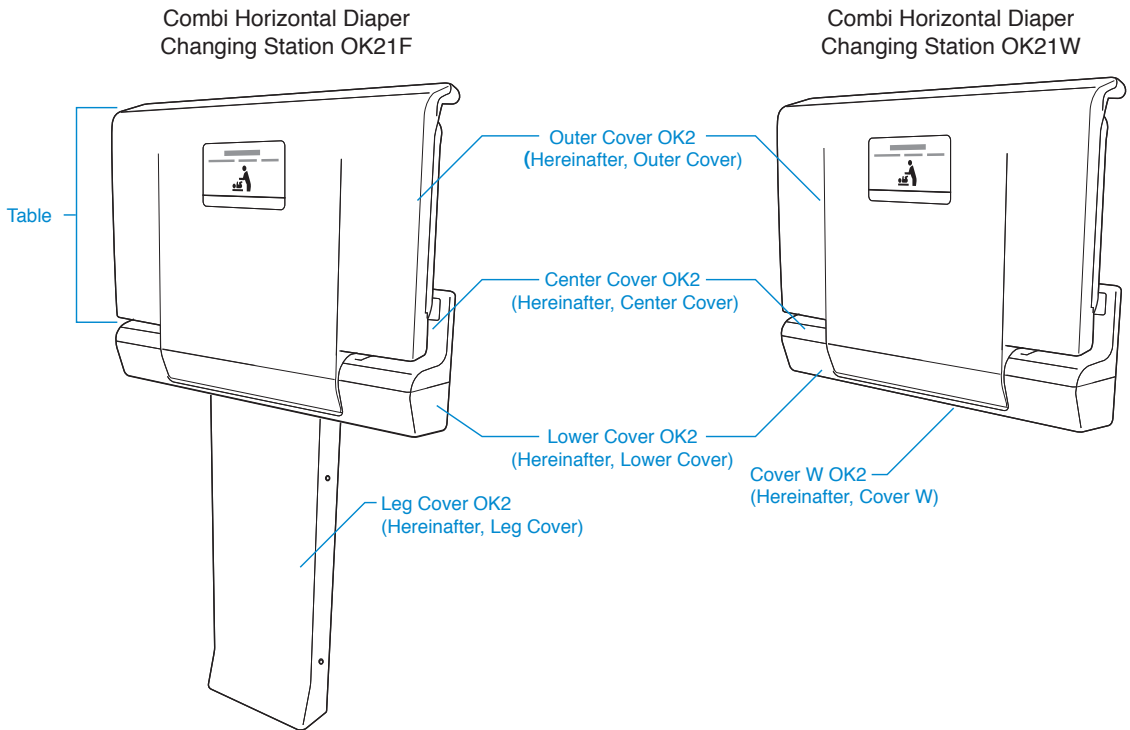
* Product specifications are subject to change without notice due to improvements.

* When disposing of the product, use an appropriate method according to the local legislation on waste disposal.

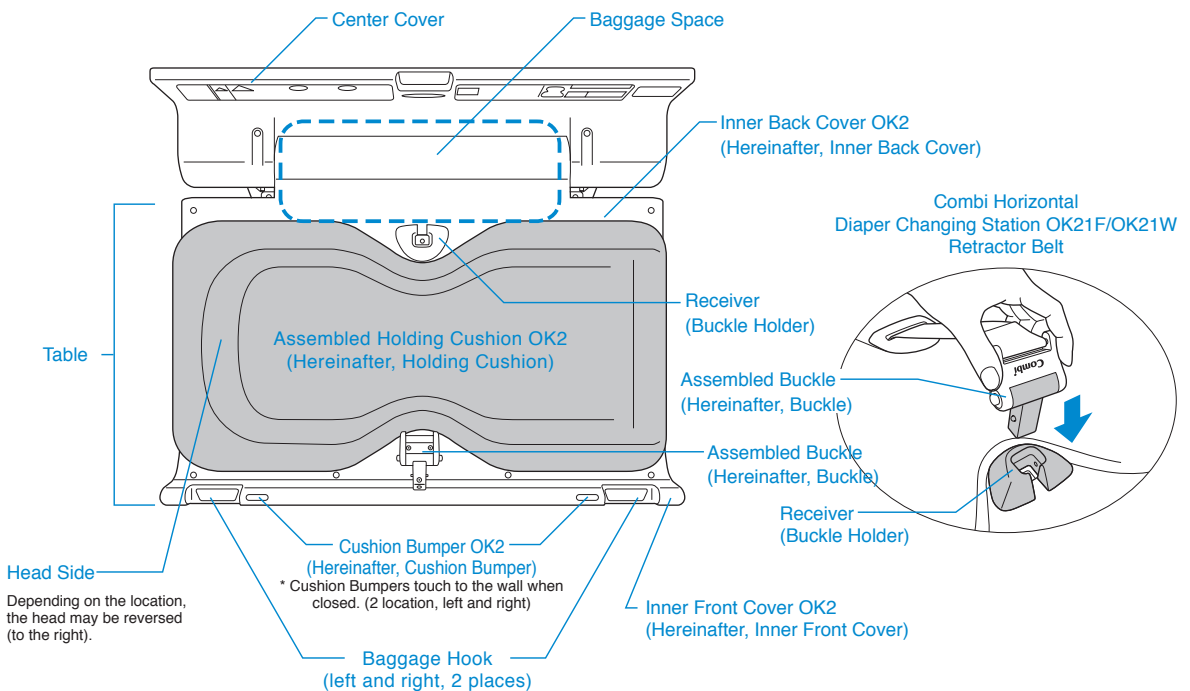
* Product dimensions and weight are approximate values.

5 Part Name

Closed



View from the Top When Opened



6 How to Use

Use the product correctly by following the warning instructions.

⚠ Warning



Child May Fall!



Do Not Leave



Keep Eyes on Child all the Time

*1  Do not allow child stands up.

*2  The belt is designed to prevent shifting the child sideways. It is not for preventing falls.

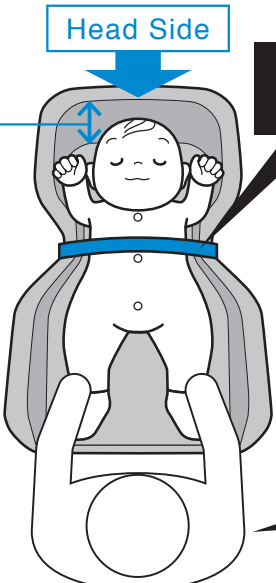
- Failure to follow the above may result in an injury or a serious accident.

*1  indicates prohibited action. *2  calls for the attention of the user.

Child may behave unexpectedly. Be careful not to cause an accident by fall.

Position of the Child's Belt

Higher Wall



The belt should be located at the chest.

The holding cushion has a head side. Higher wall side is for head side as shown on the left. Secure the belt in the chest position so that the child's feet can be easily lifted for changing the diaper.

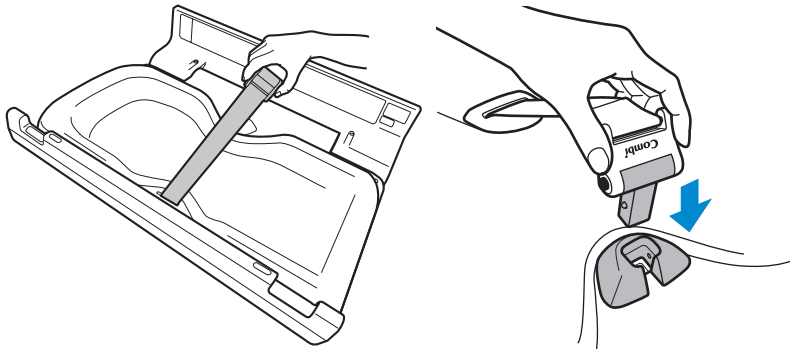
Position where the caregiver stands

How to Use Belt

Retractor Belt

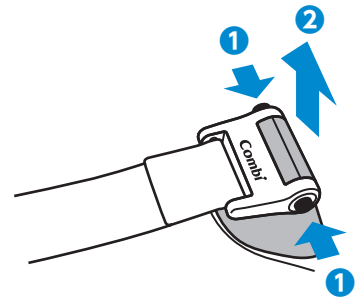
■ To Fasten the Buckle

- 1 Pull out the belt.
- 2 Insert the buckle until it clicks.



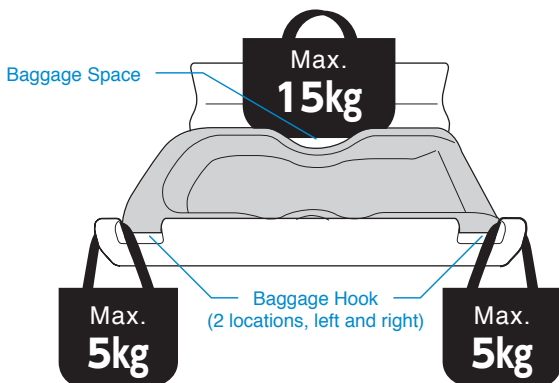
■ To Release the Buckle

Press the button on the side of the buckle to release.



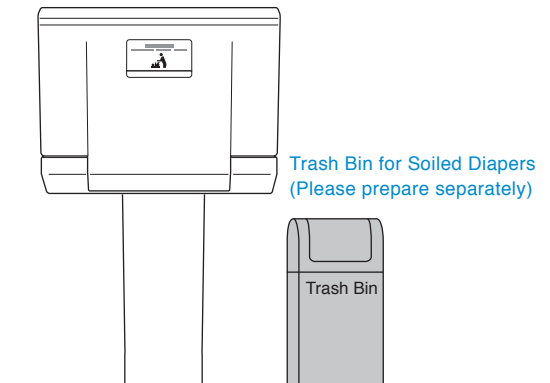
Baggage Space / Baggage Hook

Maximum Load 40 kg
(Including the child's weight of 15Kg)



Installation of Trash Bins for Diapers

Install a trash bin near the product to discard a diaper, so that the caregiver can avoid to leave the child unattended.



Combi Horizontal Diaper Changing Station OK21 Inspection Manual

This manual describes the details of daily and periodic inspections required for comfortable and safe use of Combi Horizontal Diaper Changing Station OK21. Be sure to perform "Daily or Weekly Inspections" and "Annual Periodic Inspections" in accordance with the contents of this manual.

⚠ Warning

Carry out daily inspection, and periodic inspection once year to ensure safety. If the inspections are not carried out, degradation or damage to the product may not be discovered, which may cause injuries or serious accidents.

Daily Inspection

Daily inspections are carried out by visual and touch. If any issues are found, the inspection will be carried out with tools depending on the inspection point.

Daily or Weekly

Periodic Inspection

Each part is inspected using tools once a year.

Once A Year

As a result of the inspection, parts may need to be replaced.* The storage period for repair parts is 5 years after final production.

1 Daily Inspection

Daily inspections are carried out by visual and touch. No tools are required.

If any issues detected during the inspection, immediately discontinue use and contact the sales agent and request repair.

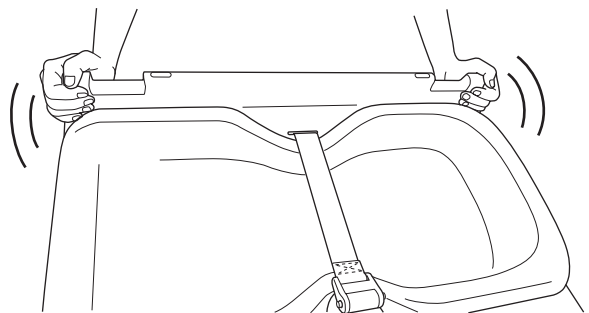
A Checking External Appearance OK21F/OK21W (OK21F in the illustrations below)

Inspection Points	Inspection Method	Judgment Criteria	Handling of Defects
① Missing · Looseness of parts	Visual	No looseness · Missing part	Repair
② Looseness of table	Motion Visual Touch	No rattling when shaking	Repair
③ Cracks and deformation of the appearance	Visual Touch	No cracks No deformation	Repair

①~③ Confirm when the table is closed and opened.



② Close the table and shake to check the rattling.

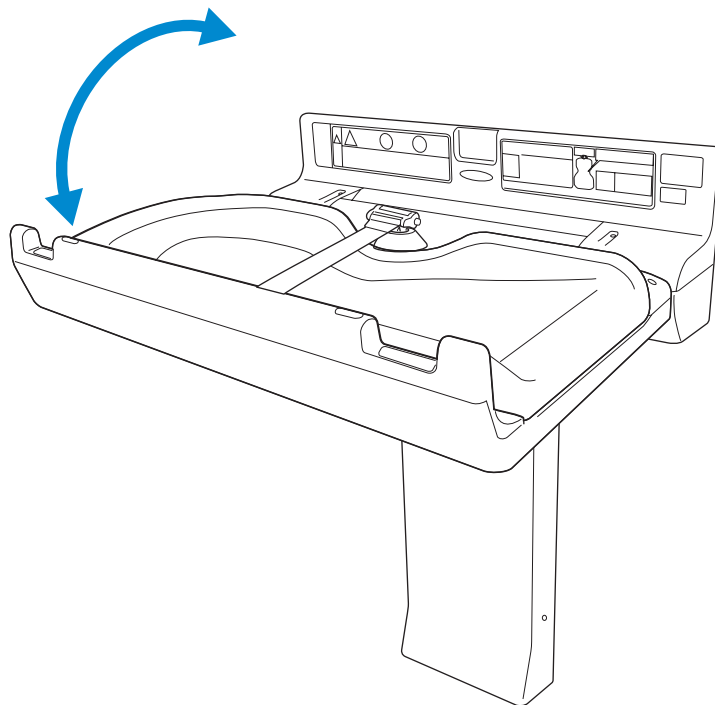


② Open the table and shake to check the rattling.

B Checking Open and Close of the Table

Inspection Points	Inspection Method	Judgment Criteria	Handling of Defects
④ Open and Close of Table	Motion Visual Touch	Open and Close must be smooth	Repair

④ Open and Close must be smooth.



C Checking the Stickers

Inspection Points	Inspection Method	Judgment Criteria	Handling of Defects
⑤ Visibility of Guide Stickers	Visual	No peel off or no breakage of sticker are found and the contents are readable.	Replacement
⑥ Visibility of Warning Stickers	Visual	No peel off or no breakage of sticker are found and the contents are readable.	Replacement
⑦ Visibility of Main Body Sticker	Visual	No peel off or no breakage of sticker are found and the contents are readable.	Replacement
⑧ Visibility of Main Body Warning Sticker	Visual	No peel off or no breakage of sticker are found and the contents are readable.	Replacement
⑨ Visibility of Explanatory Stickers	Visual	No peel off or no breakage of sticker are found and the contents are readable.	Replacement
⑩ Visibility of Inspection Stickers	Visual	No peel off or no breakage of sticker are found and the contents are readable.	Replacement
⑪ Visibility of Baggage Mark Sticker	Visual	No peel off or no breakage of sticker are found and the contents are readable.	Replacement
⑫ Visibility of Combi Logo Stickers	Visual	No peel off or no breakage of sticker are found and the contents are readable.	Replacement

* The kind of sticker is explained on page 9.

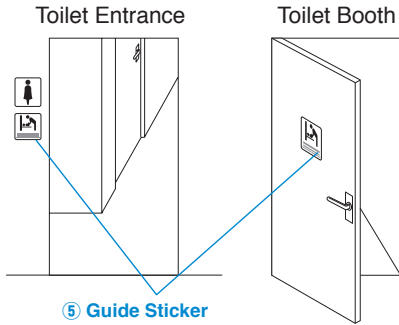
The sticker should be properly affixed and the contents are readable.
 (It should not be invisible or unreadable due to the peel off, dirt, graffiti, etc.)

* The stickers contain warnings and precautions for safe use.



⑤ GuideS BS J,E,C,K S-3002 (Hereinafter Guide Sticker)

Affixed to toilet entrance, toilet booth door, etc.

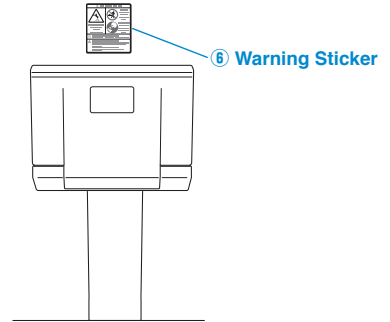


⑤ Guide Sticker



⑥ WarningS Diaper Changing Baby J,E,C,K S-3002 (Hereinafter, Warning Sticker)

Affix the label near the product where it is easy to see.



⑥ Warning Sticker



⑦ Main BodyS J,E,C,K OK2 (Hereinafter, Main Body Sticker)

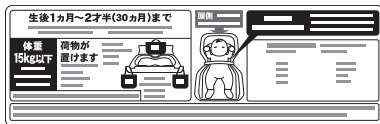
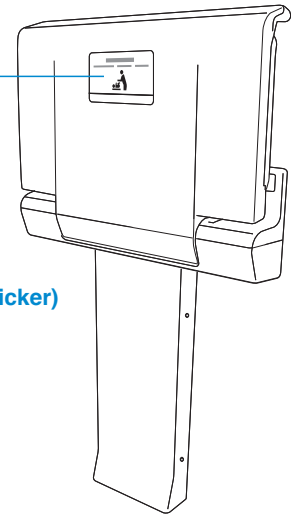
Center of Table Panel

⑦ Main Body Sticker



⑧ Main Body WarningS J,E,C,K OK2 (Hereinafter, Main Body Warning Sticker)

Left side of the center cover with the table panel opened



⑨ ExplanationS J,E,C,K OK2 (Hereinafter, Explanation Sticker)

Right side of the center cover with the table panel opened

⑨ Explanation Sticker



⑩ InspectionS For 1 year, Silver (Hereinafter, Inspection Sticker)

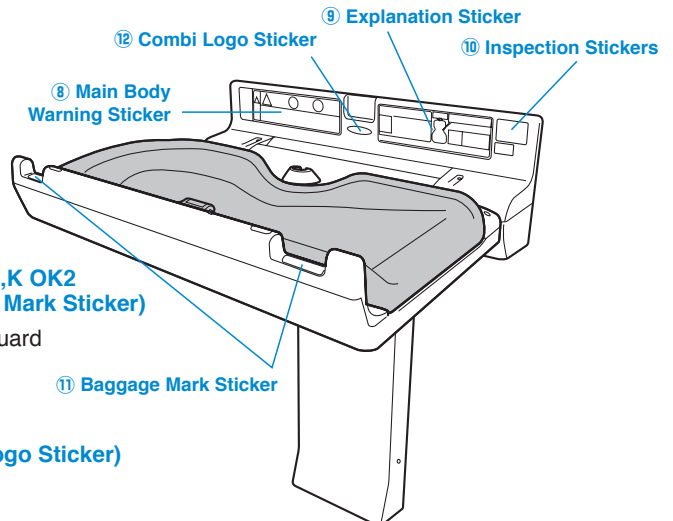
Right edge of the center cover

⑩ Inspection Stickers



⑪ Baggage Marks J,E,C,K OK2 (Hereinafter, Baggage Mark Sticker)

Both sides of the side guard



⑪ Baggage Mark Sticker



⑫ Combi LogoS 2015 (Hereinafter, Combi Logo Sticker)

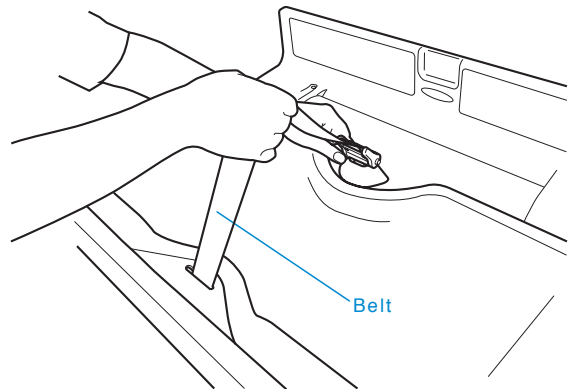
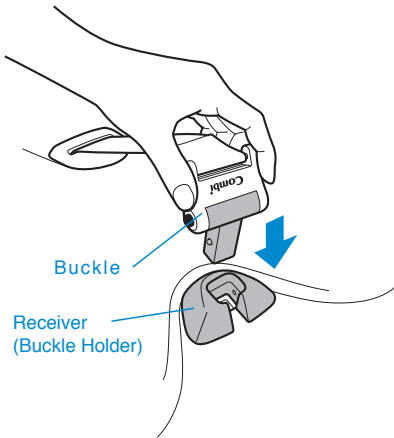
Center of center cover

D Checking Belt and Buckle

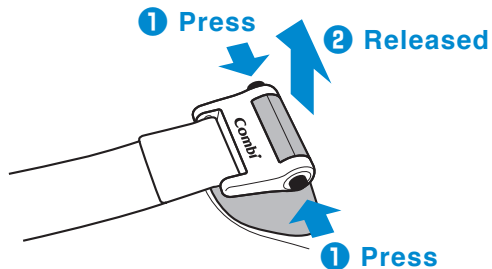
Inspection Points	Inspection Method	Judgment Criteria	Handling of Defects
⑬ Scratches, Cracks, and Rattling of Buckles	Visual Touch	No scratches, cracks or rattling	Repair
⑭ Scratches, Cracks, and Rattling of the Receiver (Buckle Holder)	Visual Touch	No scratches, cracks or rattling	Repair
⑮ Fray, Damage on Belt	Visual Touch	No fraying or damage	Replacement
⑯ Securing and Releasing the Buckle	Motion, Visual Touch	Able to securely fasten and release	Repair
⑰ Storing the Belt	Motion Visual	Smoothly storable without twisting	Repair

<To Fasten the Buckle>

Insert the buckle into the receiver (buckle holder) until it clicks, and do not pull the belt off.



<To Release the Buckle>



* If the belt is broken, frayed or heavily soiled, it is recommended to replace the belt (with a retractor). See "Replacing the Retractor" on page 15.

2 Periodic Inspection

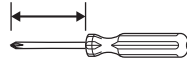
Periodic inspections are conducted periodically about once a year.

If any issues detected during the inspection, immediately discontinue use and contact the sales agent and request repair.

Required Tools Philips Drivers, Wrench, etc.

Check the screws used in each part for crushed head, deformation, or rust. If any issues are found, replace the screws with new ones.

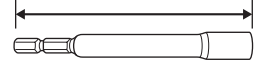
Philips Driver No2
110 mm or more



Wrench
(for M6, M8, M10)



Socket of Box Wrench
115 mm or more (for M6/M8)



Warning

- Do not use any parts or tools other than those assembled or enclosed before the shipment and those specified by the company. Failure to do so may result damage, malfunction or unexpected accident.
- Do not lose the removed screw, as it will be used again when assembling.

Caution

- Prepare a tool (with magnet) longer than the above length. There are parts where it is difficult to install them with a short tool (two screws where the lower cover and frame are fixed).
<For Installation on Partition/Gypsum Board> Driver: Axis length 110 mm or more
<For Installation on Concrete, ALC, Hollow Block> Box Wrench: Socket length 115 mm or more, Socket Width M6 to M8
- When tightening the screw more, do not tighten it with power tool. Tighten by hand, not too tight. Be careful not to deform the screw head, it might create a sharp edge.

Removal Method

Remove the parts to check the screws, etc.

1 Remove the Center Cover from the Frame.

Remove the two screws from above.
(Make sure there are 2 screws)

Center Cover

Frame

Lift up front side of both sides
It can not be removed if left and right are lifted from the wall side.
Be sure to lift from the front side.

[View from the Back]

Clip

Insert deeply

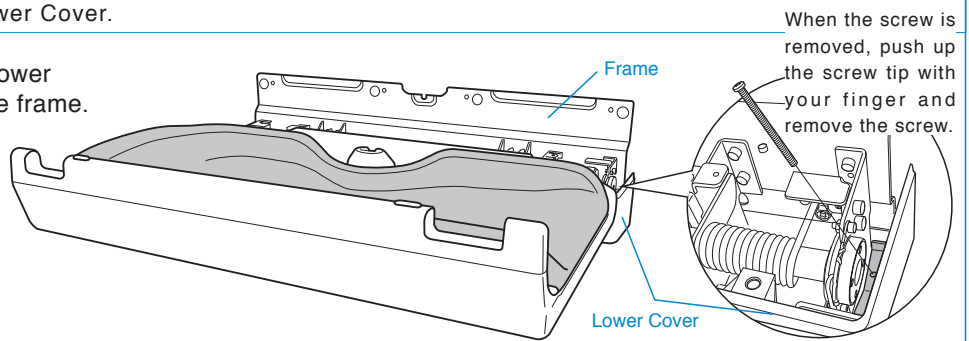
* 2 locations on the left and right.

If the clip is removed when removing the center cover, insert it from the back until it snaps.

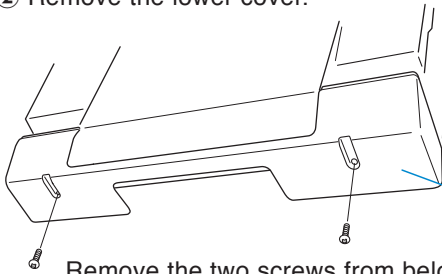
2 Remove the Lower Cover.

① Remove the lower cover from the frame.

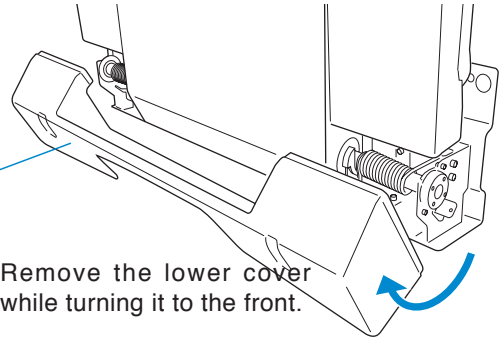
Remove the two screws at an angle.
(Make sure there are 2 screws)



② Remove the lower cover.



Remove the two screws from below.
(Make sure there are 2 screws)



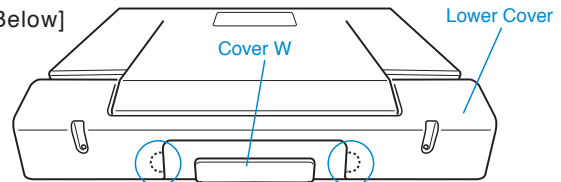
Remove the lower cover while turning it to the front.

* After performing the periodic inspection, when reinstalling the lower cover, insert it into the main body frame first, and then tighten the screw while pressing it against the wall.

<For OK21W>

[View from Below]

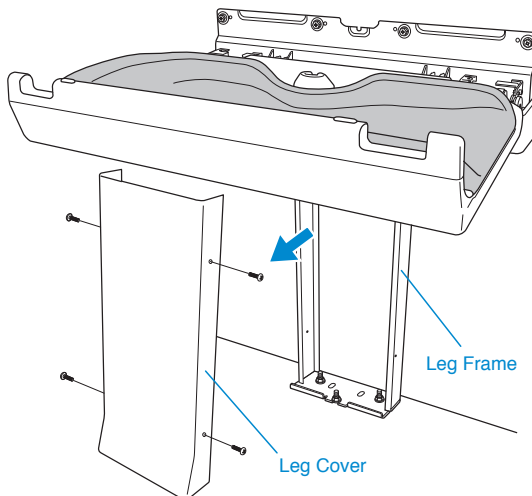
When the lower cover is removed, the cover W is fixed to the main frame.
(2 locations on the left and right)



Fixed with 2 screws.

3 Removing the Leg Cover.

<For OK21F>



Remove the 4 screws (white screws) from the side and remove the leg cover from the leg frame.
(Make sure there are 4 screws)



Caution

When attaching the leg cover back after the periodic inspection, be careful not to peel off the white paint on the screw.

A Checking of Looseness of Screws and Rust on Body Frame

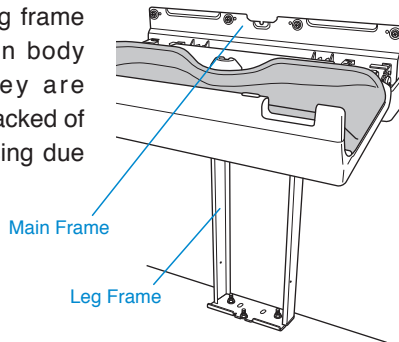
Inspection Points	Inspection Method	Judgment Criteria	Handling of Defects
❶ Rust on Body Frame and Leg Frame	Visual Touch	No severe rust No deformation or chipping by rust	Discontinuation of Usage/Contact Sales Agent*
❷ Leg Frame Fixing Anchor Bolt	Visual Touch (Spanner, Wrench, etc.)	No looseness	Additional tightening
❸ Fixing Screws for the Body Frame and Leg Frame	Visual Touch (Spanner, Wrench, etc.)	No looseness	Additional tightening
❹ Wall Fixing Screw for the Main Body Frame	Visual Touch (Spanner, Wrench, etc.)	No looseness	Additional tightening
❺ Fixing Screw for Lower Cover Leg-Cover (Cover W)	Visual Touch (Philips Driver No2)	No looseness	Additional tightening
❻ Fixing screws for Inner Back Cover and Inner Front Cover	Visual Touch (Philips Driver No2)	No looseness	Additional tightening
❼ Fixing Screw for Buckle	Visual Touch (Philips Driver No2)	No looseness	Additional tightening
❽ Fixing Screw for Center Cover	Visual Touch (Philips Driver No2)	No looseness	Additional tightening

❶ ❸ are for OK21F

* Stop using the product, take pictures, and contact the sales agent.

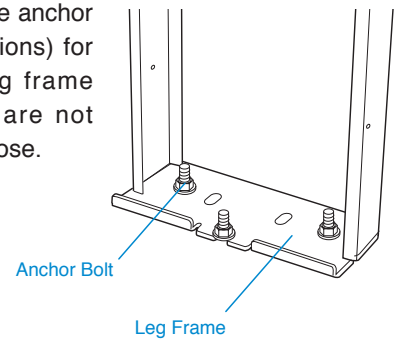
❶ Checking the rust of the main frame and leg frame

Check the leg frame and the main body frame if they are deformed, cracked or partially missing due to the rust.



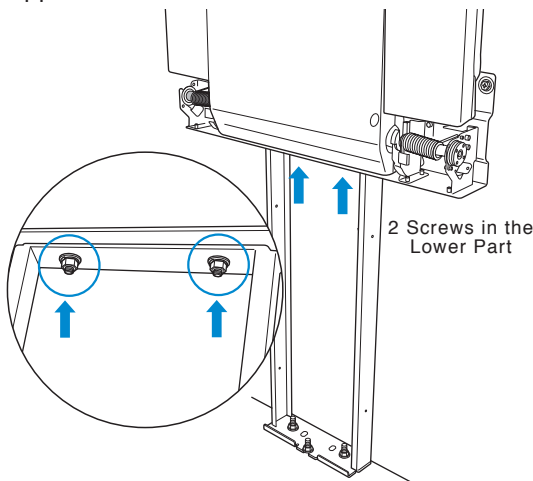
❷ Checking anchor bolts for fixing leg frame

Check that the anchor bolts (3 locations) for fixing the leg frame to the floor are not dropped or loose.



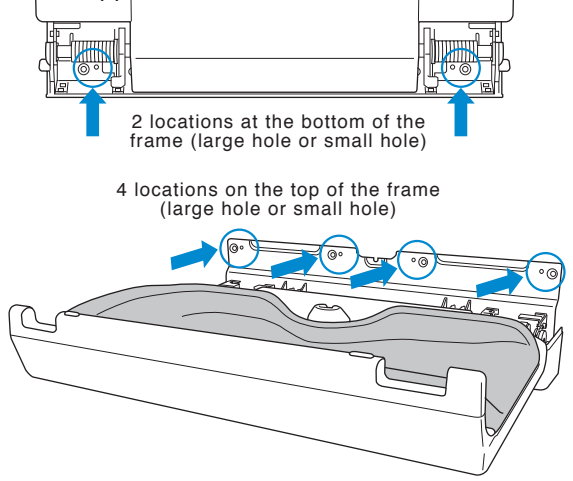
❸ Checking the fixing screws of the main frame and leg frame.

Check that the screws (2 locations) for fixing the body frame and leg frame are not dropped or loose.



❹ Checking the wall fixing screws of the main frame.

Check that the screws (6 locations) that secure the main unit frame to the wall are not dropped or loose.



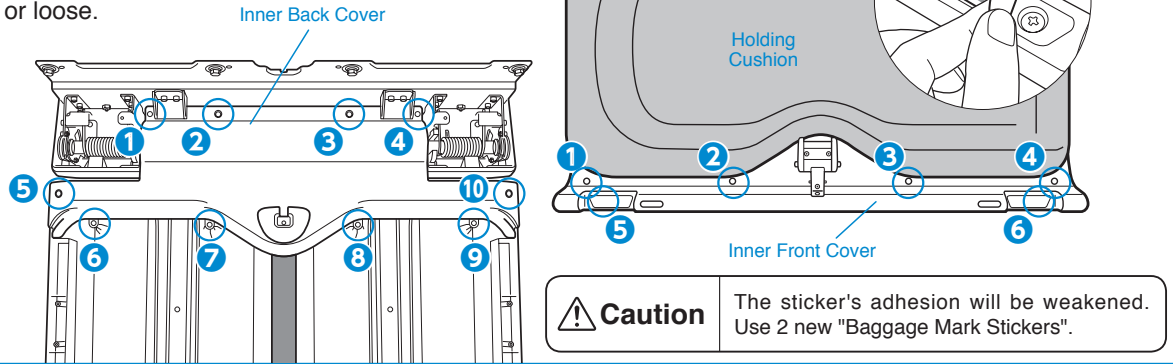
After checking ❶ to ❹, reinstall the leg cover and the lower cover in the reverse order and fix them firmly.

5 Checking fixing screws for the lower cover/leg cover (Cover W).

Check the lower cover fixing screws (4 locations) and leg cover fixing screws (4 locations) are missing or loose.

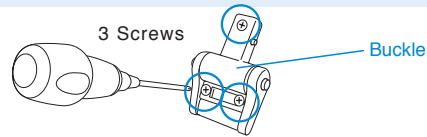
6 Checking the fixing screws for the inner back cover and inner front cover

Check the inner back cover fixing screws (10 locations) and the inner front cover fixing screws (6 locations) are not missing or loose.



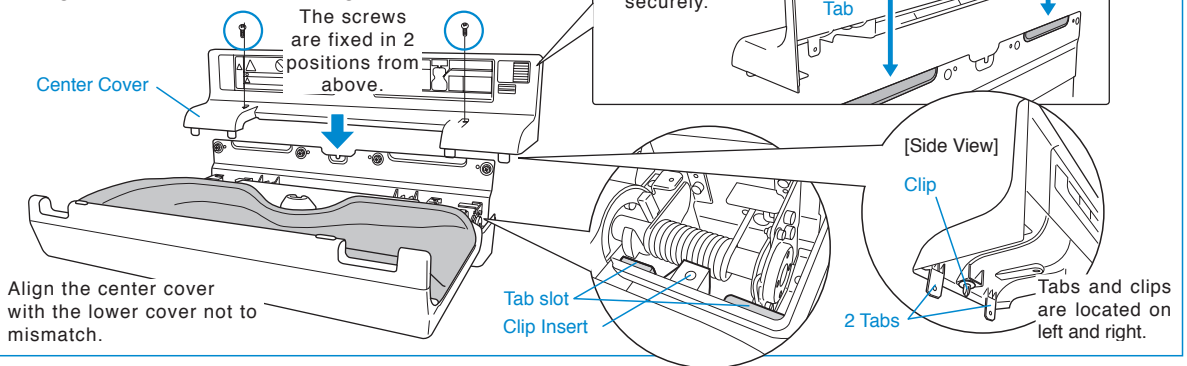
7 Checking the fixing screws of the buckles

Check that the screws for fixing the buckle are not missing or loose.



8 Checking the fixing screws on the center cover

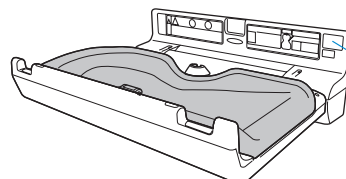
Assemble the center cover and check the fixing screws are not missing or loose.



After assembly, check the appearance and operation according to the daily inspection.

B Recording Inspection Date

After periodical inspection, record the inspection date in the Inspection Sticker affixed to the center cover.



It is affixed to the right side of the center cover.

Combi Horizontal Diaper Changing Station OK21 Parts Replacement Procedure

If any malfunctions are found in the daily inspection or periodic inspection, etc., and the parts are replaced with new ones, read this replacement procedure carefully and replace them correctly.

Retractor Replacement Procedures

If any malfunctions are found in the belt, we recommend purchasing 2 pcs of "Retractor" and "Baggage Mark Sticker" and "Retractor" to replace by the following method.

Warning

After replacing the parts, be sure to inspect them according to the contents of "Daily Inspection(Page 7)".

Required Tools

Philips Driver No2

Check the screws used in each part for crushed head, deformation, or rust. If any issues are found, replace the screws with new ones.

Philips Driver No2



Warning

- Do not use any parts or tools other than those assembled or enclosed before the shipment and those specified by the company. Failure to do so may result damage, malfunction or unexpected accident.
- Do not lose the removed screw, as it will be used again when assembling.

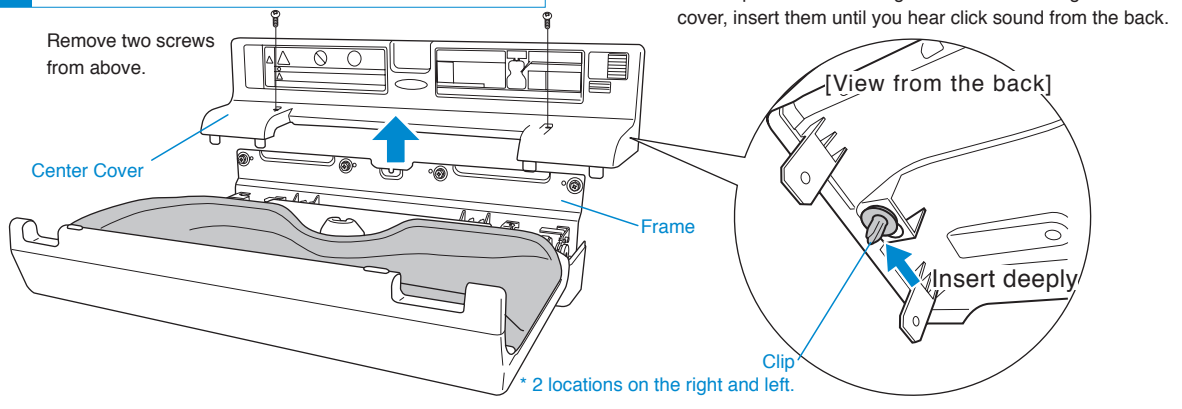
Caution

- Prepare a tool (with magnet) longer than the above length. There are parts where it is difficult to install them with a short tool (two screws where the lower cover and frame are fixed).
<For Installation on Partition/Gypsum Board> Driver: Axis length 110 mm or more
<For Installation on Concrete, ALC, Hollow Block> Box Wrench: Socket length 115 mm or more, Socket Width M6 to M8
- When tightening the screw more, do not tighten it with power tool. Tighten by hand, not too tight. Be careful not to deform the screw head, it might create a sharp edge.

Removal Method

1 Remove the Center Cover from the Frame.

Remove two screws from above.



If the clips are removed together when removing the center cover, insert them until you hear click sound from the back.

[View from the back]

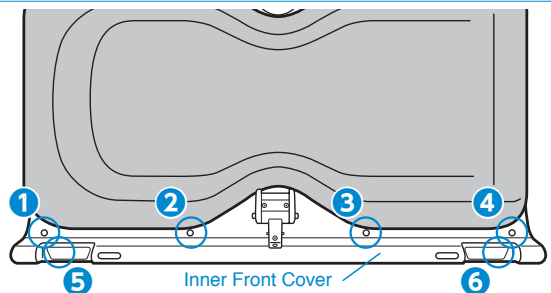
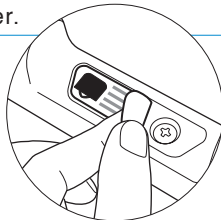
Insert deeply

Clip

* 2 locations on the right and left.

2 Remove the Inner Front Cover.

Remove the 2 Baggage Mark Stickers at ⑤ ⑥, and then remove the fixing screws (6 locations) on the inner front cover.

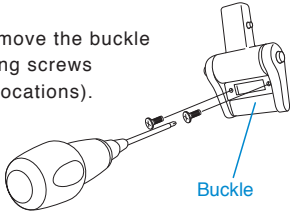


Caution

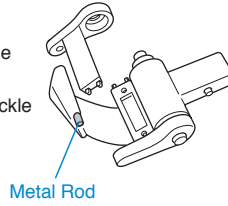
The sticker's adhesion will be weakened. Use 2 new "Baggage Mark Stickers".

3 Remove the Buckle and Pull out the Belt from the Inner Front Cover.

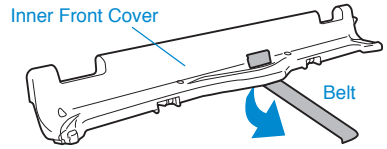
Remove the buckle fixing screws (2 locations).



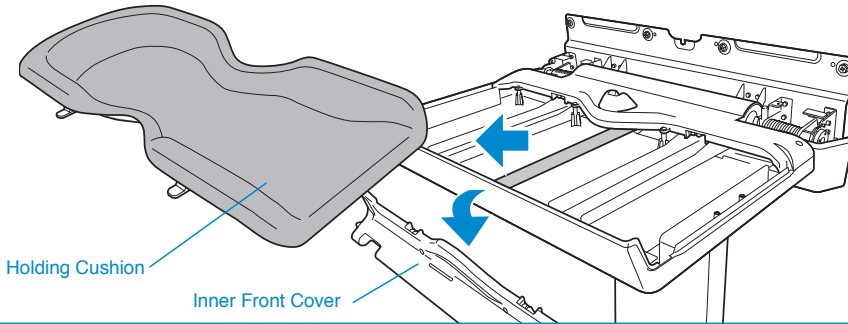
Remove the metal rod inside the buckle and remove the buckle from the belt.



Pull out the belt from the inner front cover.

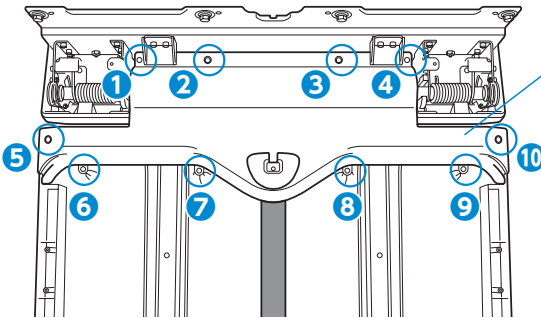


4 Remove the Inner Front Cover and Holding Cushion.



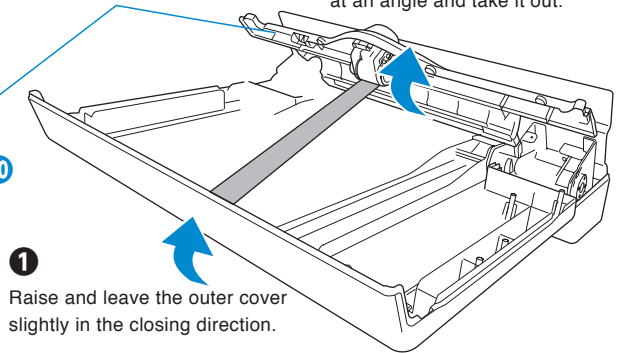
5 Remove the Inner Back Cover.

Remove the 10 fixing screws for the inner back cover.

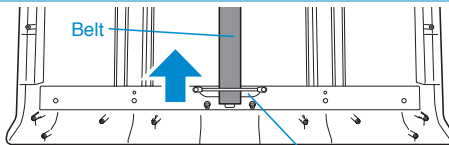


Inner Back Cover

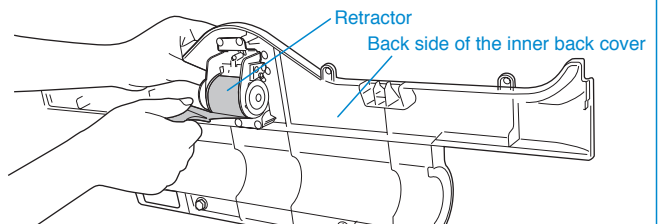
2 Lift the tip of the inner back cover at an angle and take it out.



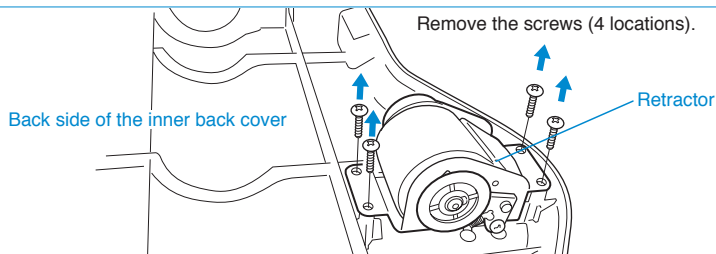
6 Wind up the Belt.



Pass through the belt underneath the frame and wind on a retractor.



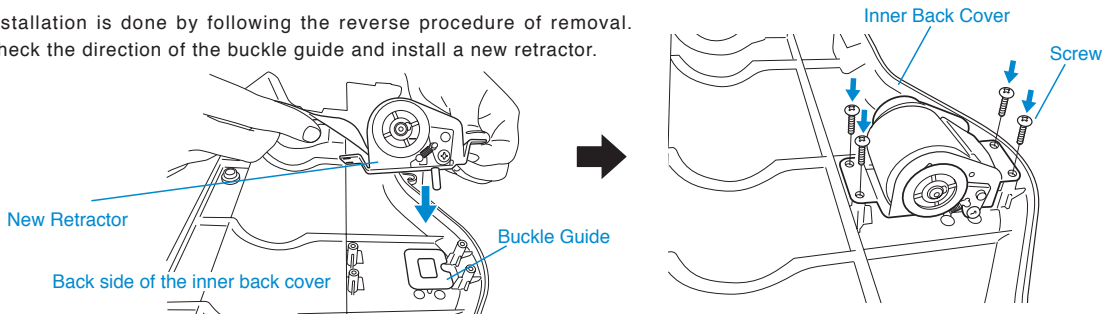
7 Remove the Retractor.



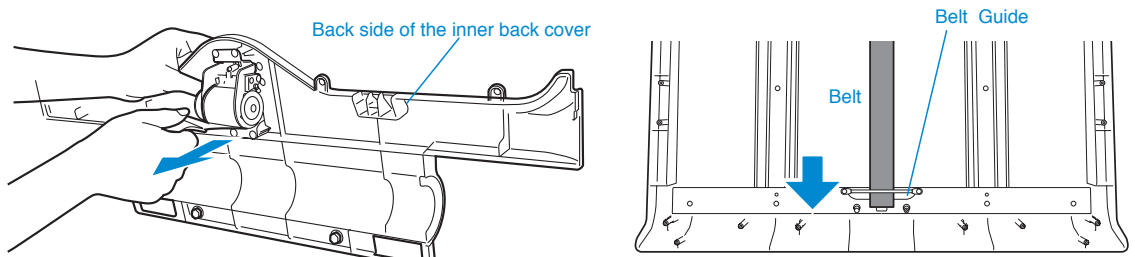
Installation Procedure

8 Set the Retractor to the Inner Cover.

Installation is done by following the reverse procedure of removal. Check the direction of the buckle guide and install a new retractor.



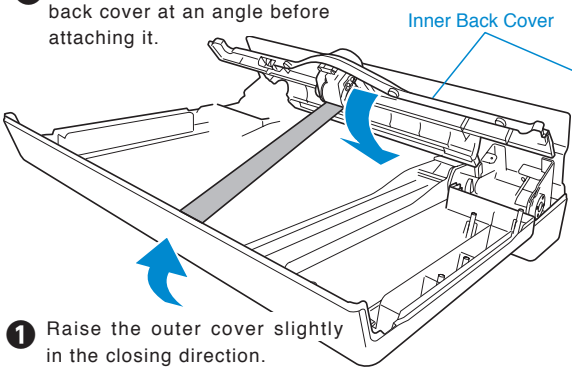
9 Pull out the Belt and Pass Through Under the Belt Guide.



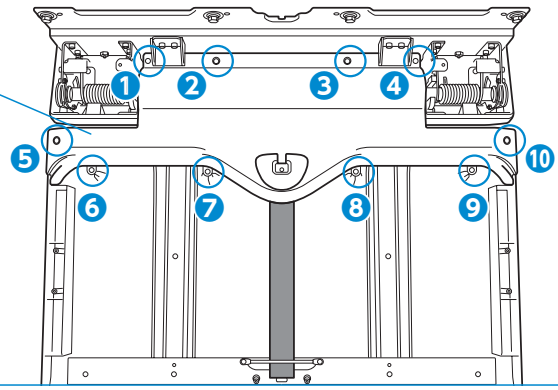
* Be careful not to pull the belt out of the belt guide.

10 Secure the Inner Back Cover with the 10 screws.

2 Raise the tip of the inner back cover at an angle before attaching it.

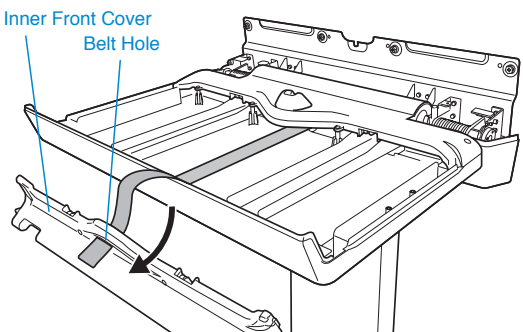


1 Raise the outer cover slightly in the closing direction.

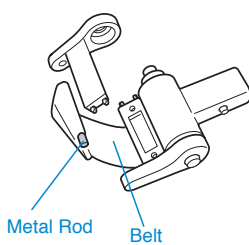


11 Pass the Belt Over the Inner Back Cover and Secure the Buckle to the Belt.

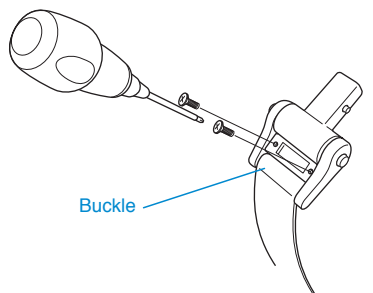
1 Pass the belt through the belt hole on the inner front cover.



2 Put the removed metal rod through the end of belt.



3 Fix the 2 screws to the buckle.

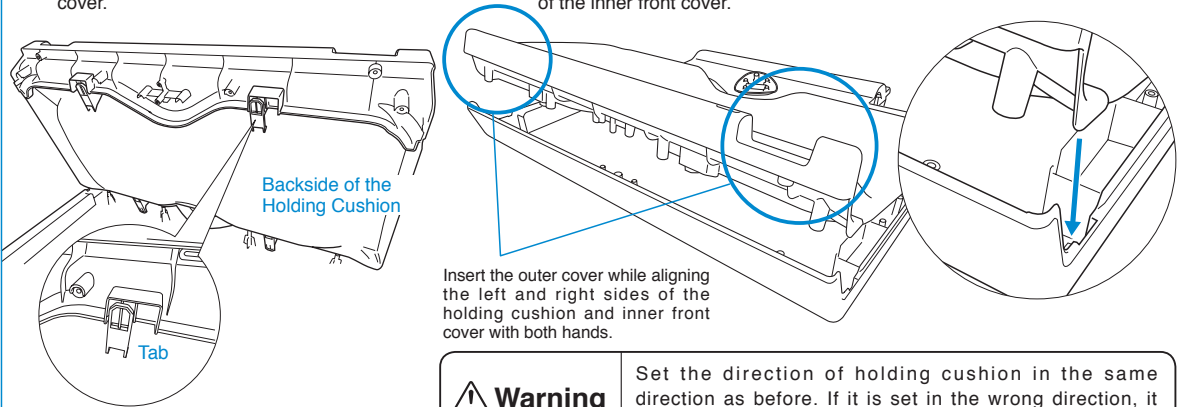


12 Insert the Inner Front Cover into the Holding Cushion, and Then Insert it into the Outer Cover.

① Align the tab of holding cushion to the back of upper portion of the inner front cover.

② Align both ends of the holding cushion and insert into the recesses of both ends of the inner front cover.

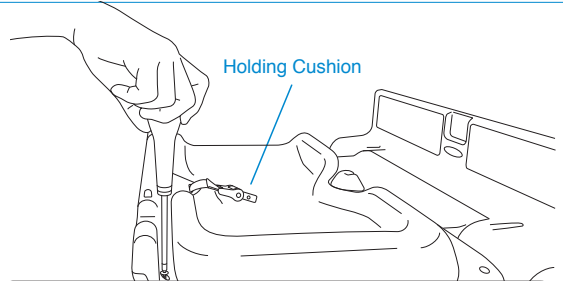
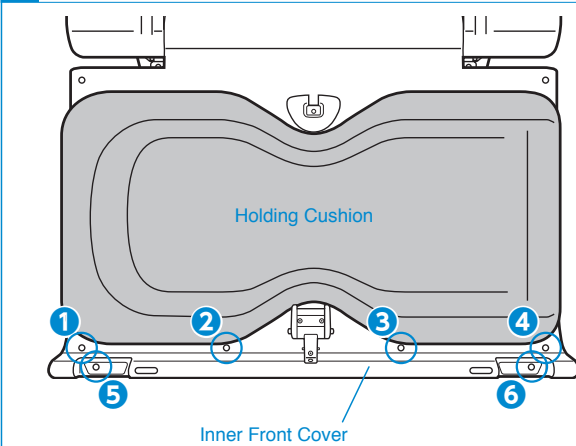
③ Insert the inner front cover into the outer cover.



Warning

Set the direction of holding cushion in the same direction as before. If it is set in the wrong direction, it may provoke wrong usage and may cause a fall of child.

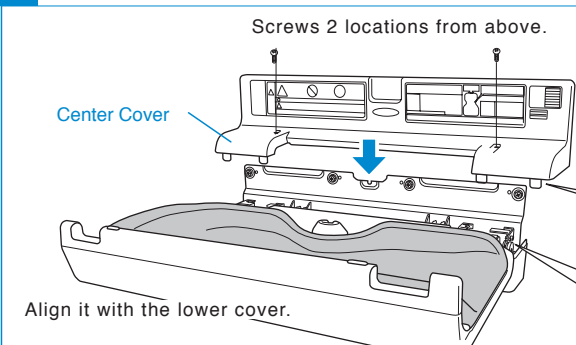
13 Fix the Inner Front Cover (6 locations)



Caution

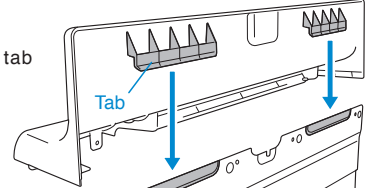
When assembling the parts, do not tighten it with power tool. Tighten by hand, not too tight. Be careful not to deform the screw head, it might create a sharp edge. Be careful not to damage the Holding Cushion by screw driver.

14 Secure the Center Cover.



Screws 2 locations from above.

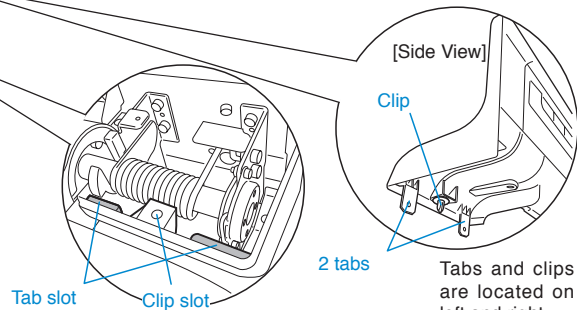
Insert the tab securely.



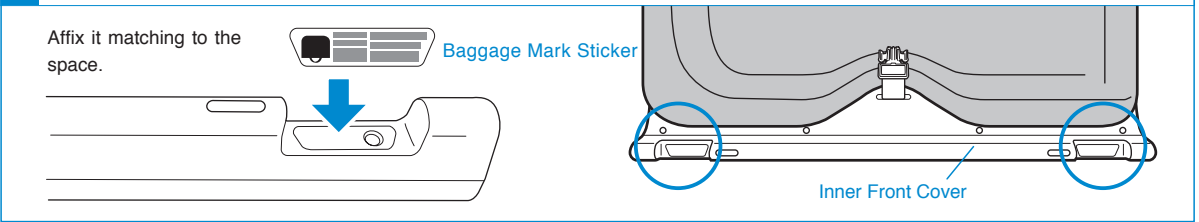
Align it with the lower cover.

Caution

When assembling the parts, do not tighten it with power tool. Tighten by hand, not too tight. Be careful not to deform the screw head, it might create a sharp edge. Be careful not to damage the Holding Cushion by screw driver.



15 Affix New Baggage Mark Sticker (2 locations) to the Inner Front Cover.



Replacing Receiver (Buckle Holder)

If you discover that "Receiver" has cracks, scratches, or rattling, it is recommended that you purchase "Receiver" and replace it in the following procedure.

Required Tools Philips Driver No2

Warning

After replacing the parts, be sure to inspect them according to the contents of "Daily Inspection(Page 7)".

Check the screws used in each part for crushed head, deformation, or rust. If any issues are found, replace the screws with new ones.

Philips Driver No2



Warning

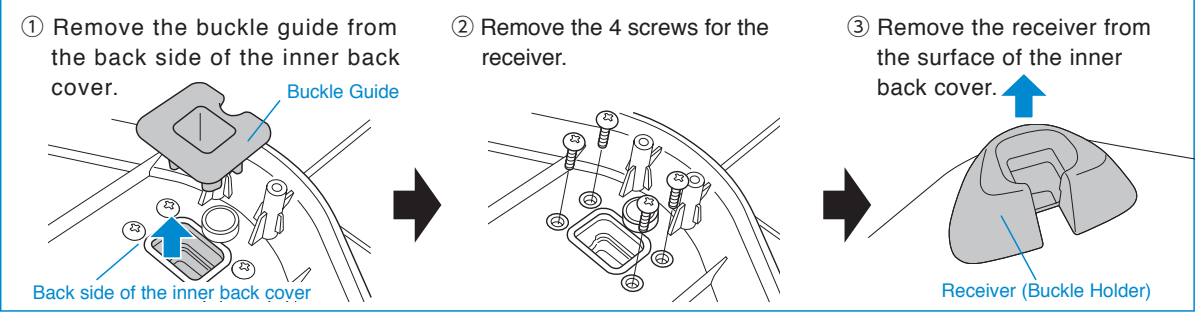
- Do not use any parts or tools other than those assembled or enclosed before the shipment and those specified by the company. Failure to do so may result damage, malfunction or unexpected accident.
- Do not lose the removed screw, as it will be used again when assembling.

Caution

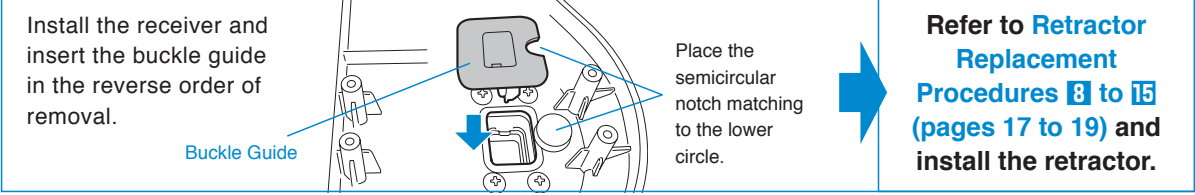
- Prepare a tool (with magnet) longer than the above length. There are parts where it is difficult to install them with a short tool (two screws where the lower cover and frame are fixed).
 <For Installation on Partition/Gypsum Board> Driver: Axis length 110 mm or more
 <For Installation on Concrete, ALC, Hollow Block>
 Box Wrench: Socket length 115 mm or more, Socket Width M6 to M8
- When tightening the screw more, do not tighten it with power tool. Tighten by hand, not too tight. Be careful not to deform the screw head, it might create a sharp edge.

Remove the retractor by referring to **Retractor Replacement Procedures 1 to 7** (pages 15 to 16).

Removal Method



Installation Procedure



CombiWith Corporation

Head Offices: 2-6-7 Motoasakusa, Taito-ku, Tokyo 111-0041 Japan
Tel: 03-5828-7631 Fax: 03-5828-7630