

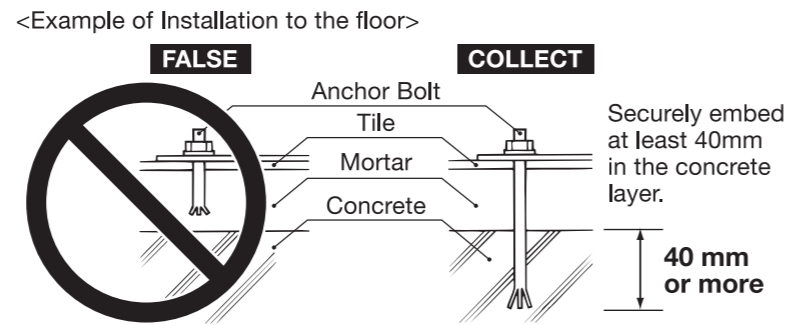
Combi Vertical Diaper Changing Station Smart Hold OKF11 Installation Manual

For the proper installation, read this manual carefully and follow each instruction in this manual.

Warning

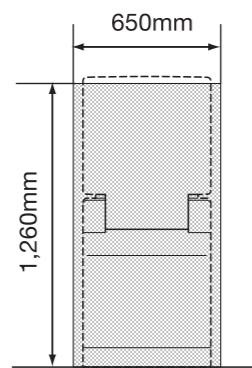
- Be sure to attach the product not only on the floor but also on the wall. Fixing only the floor surface may cause fall.

- Select anchor bolts with a length (minimum 40mm or longer) that can be securely fixed to the concrete layer. Fixing to a mortar layer may cause fall.

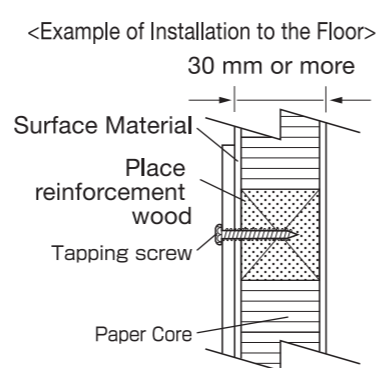


- When the wall surface is concrete, reinforce the base of the wall. * Each attaching point must withstand 150N (15kgf) [total of 7 attaching points]. Failure to comply this requirement may result in fall.

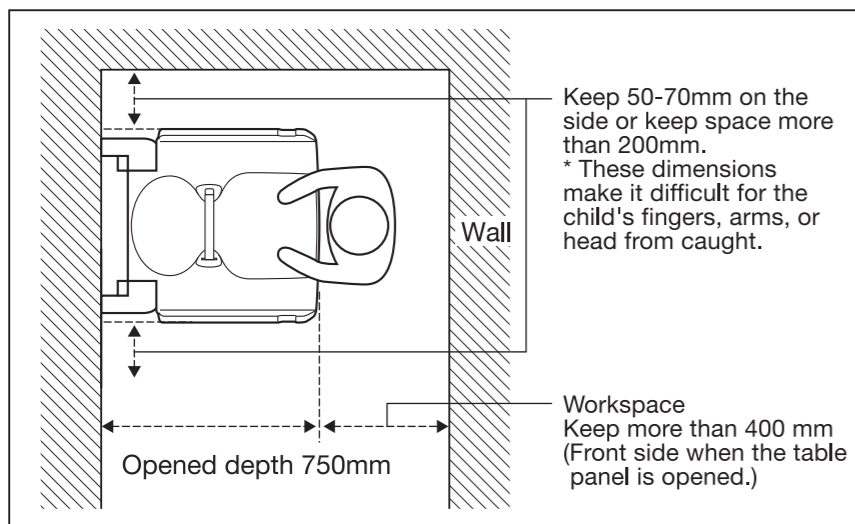
- When using tapping screws to mount the product on a dry-type wall, be sure to insert a lightweight steel frame (stud or cross rail) or plywood (12mm thick) at the attaching point for reinforcement. Failure to follow this instruction may result in fall.



- When using tapping screws to mount the product on a partition wall, insert a reinforced wood of 30mm or more without any space at the tapping screw fixing position. Failure to follow this instruction may result in fall.



Installation Site (Installation Range)



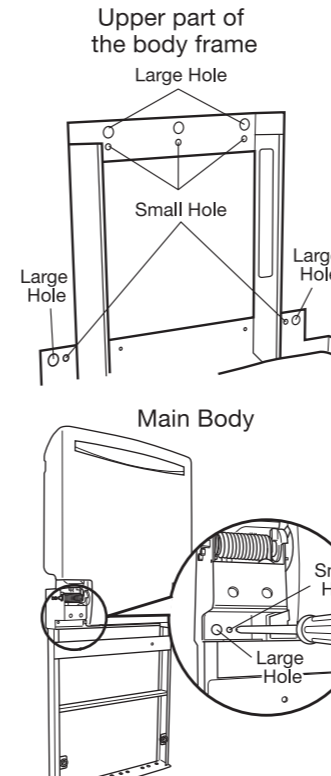
Warning

- In places where toilets and washbasins are used, always install this product where the product is in the view while they are used.
- Install the trash bin for paper diapers near the product so that you do not leave the child when changing the diaper.

Caution

Install the product in a position where the door does not contact the product when the door is opened. The product may be damaged if it hits the door.

List of Mounting Screws for the Wall



The following ① to ③ are the types of wall surfaces.

* ① Other than accessories listed (Φ tapping screws and washers), prepare separately

① Attaching to Partition · Gypsum Wall Board

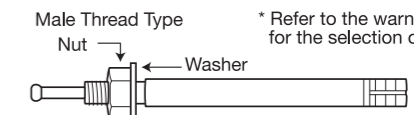
- Tapping Screw 7 Small Holes
- Φ5x35 tapping screw (accessory)
- Φ5 Washer (accessory)

<Reinforcement of Partition>
Insert a reinforcing wood of 30mm or more inside.
* Be sure to check the warnings on the left.

<Reinforcement of Gypsum Wall Board>
Fix it to a lightweight steel frame or the area reinforced with a plywood (t12mm or more) or steel sheet (t2.3 or more).

② Attaching to Concrete, ALS

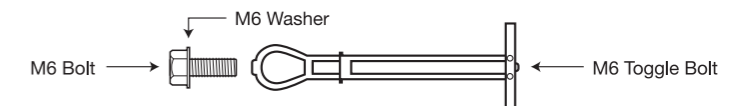
- M6-10 Anchor 6 Large Holes
- Female Thread Type Bolt
- Washer



* Use special anchors for ALC. * Refer to the warning on the left for the selection of the length.

③ Attaching to Hollow Block

- Toggle Bolt 7 Small Holes



For the 2 holes at the bottom, the tool can be used from the front when the table panel is closed.

Accessories

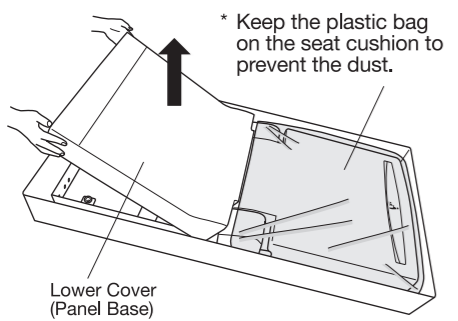
Tapping Screw (Φ4x12) 2pcs * For fixing the lower cover	Tapping Screw (Φ5x35), Washer (for Φ 5) 7 sets * For attaching to the wall (partition, gypsum wall board)	U-shaped Washer 5pcs * For adjusting angle	Guide Stickers 2pcs 	Warning Sticker 1pc
Manual 1 copy Instruction Manual (This Booklet) 1 copy 	Daily and Periodic Inspection Manual 1 copy 			

- Anchor bolts are not included. Prepare separately. Use 3pcs of M10 for floor and 6pcs of M6 to M10 for concrete wall and ALC. (Refer ② of "List of Mounting Screws for the Wall" above)

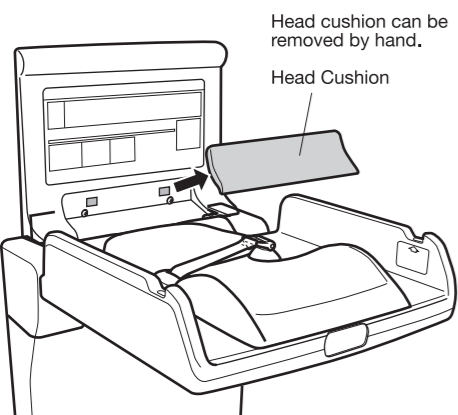
The installation procedure is on the backside.

Installation Procedure

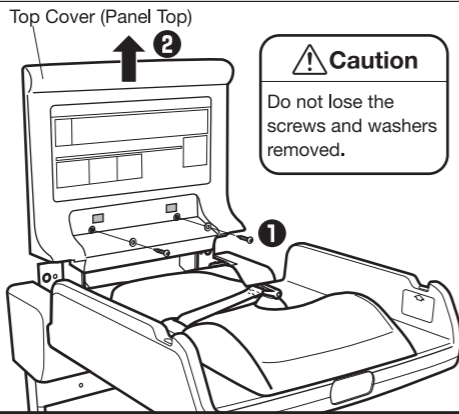
1 Remove the lower cover while the product is in the box.



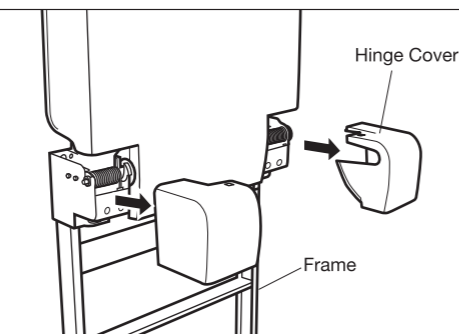
2 Remove the head cushion.



3 Remove screws and washers (2 locations) on the top cover and pull out from the frame.

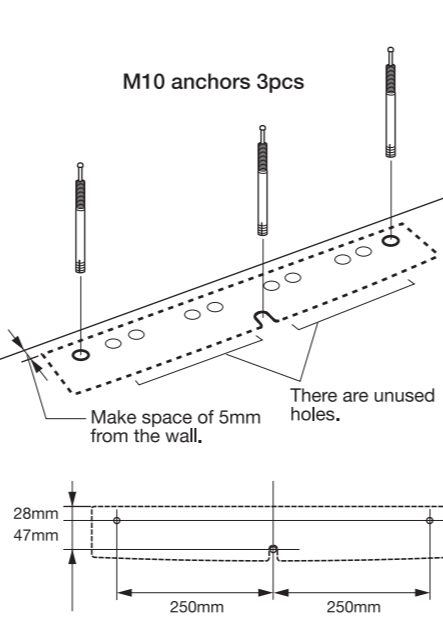


4 Remove the hinge cover from the frame.



5 Drive the M10 anchor into the installation site. (3 locations)

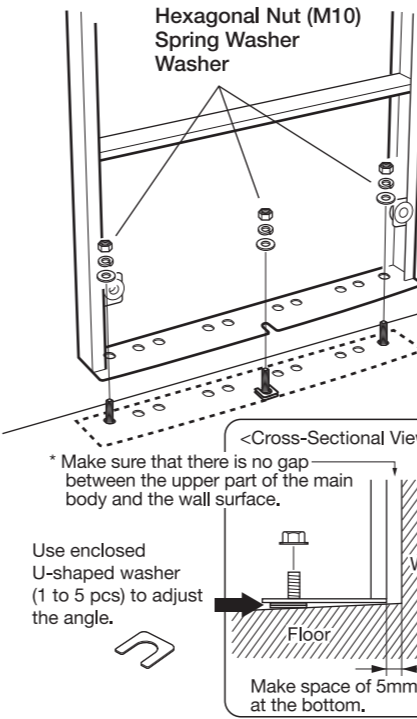
The anchor bolt is not an accessory. Prepare separately.



* The lower part of the frame is designed 5mm off from the upper body considering the thickness of the baseboard.

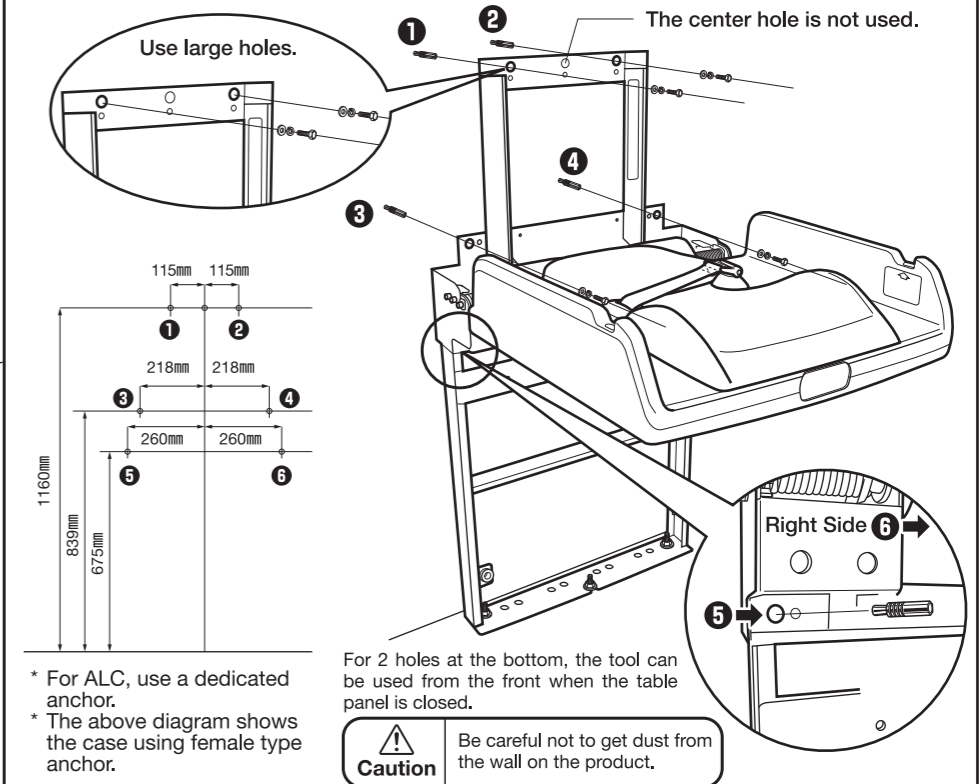
6 Attach the frame to the floor.

The following are not enclosed. Prepare separately.



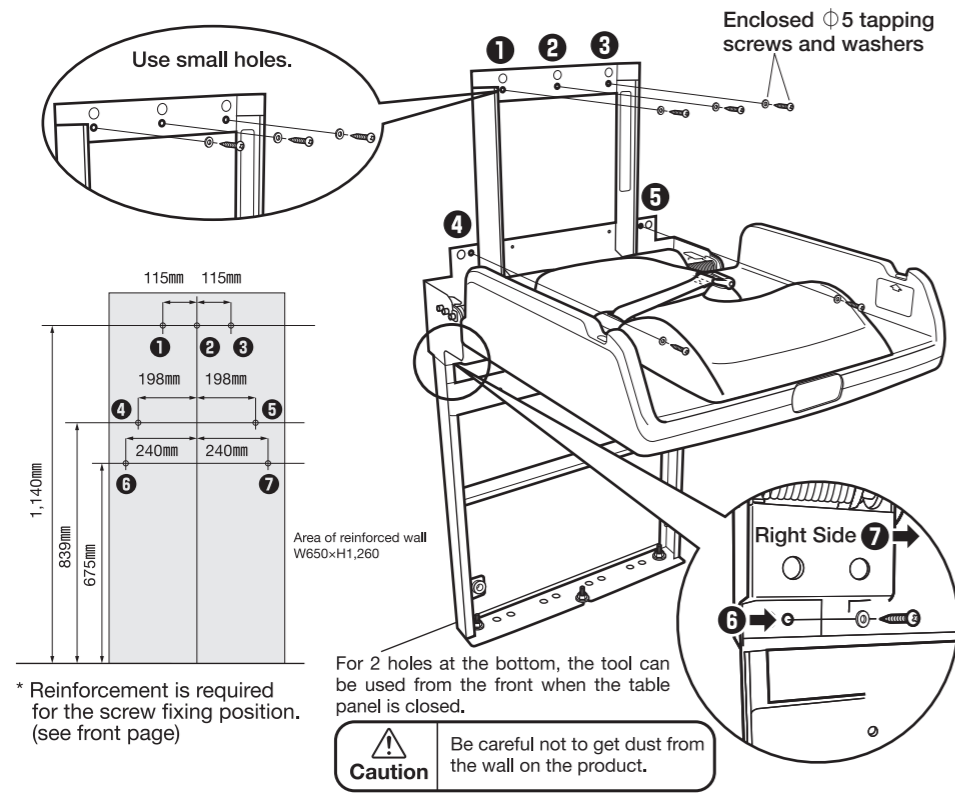
7-1 For Concrete and ALC

Drive the M6-10 anchor to secure the frame. (6 locations)



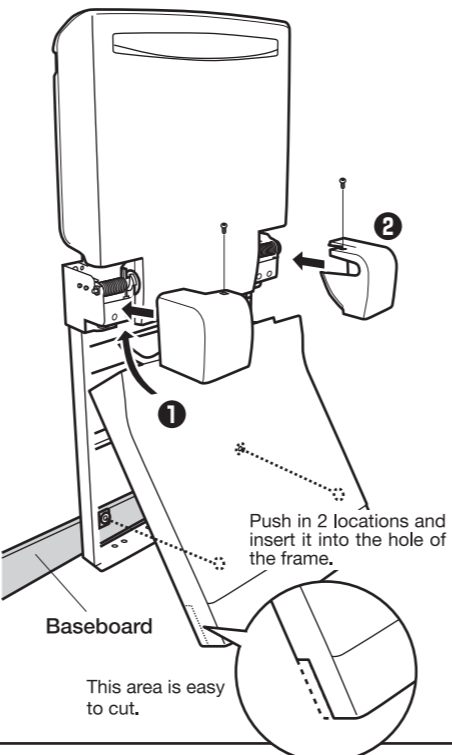
7-2 For Partition, Gypsum Wall Board

Secure the frame with the enclosed tapping screws and washers. (7 locations)



8 Place 1 the lower cover and 2 the hinge cover on the frame.

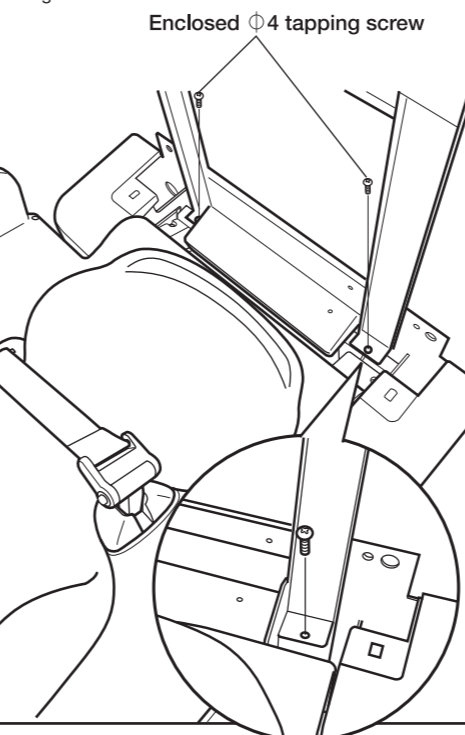
If there is a baseboard, cut the lower cover by the thickness of the baseboard in advance.



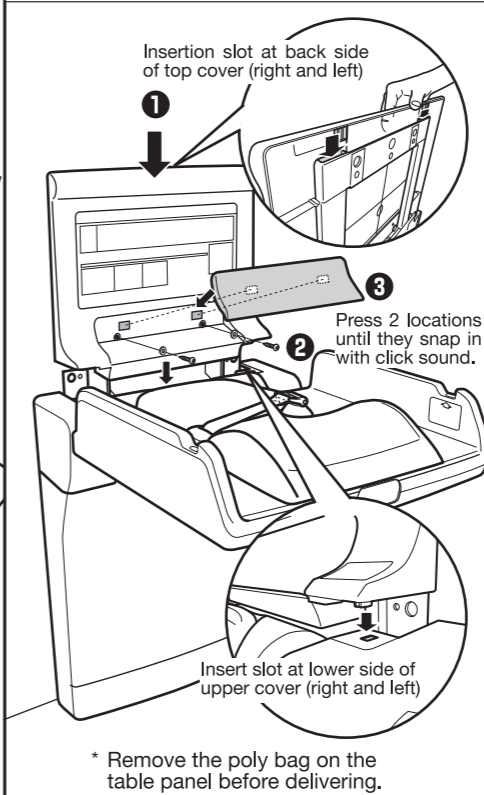
9 Secure the lower cover with the enclosed screws. (2 locations)

It is easy to see the screw holes if the table panel is closed slightly.

* Screw lower panel while pressing it against the wall.



10 Attach the top cover to the frame with screws and washers and install the head cushion.



11 Attach a warning sticker near the product. Attach guide stickers to the entrance of the toilet and the entrance of the toilet booth.

