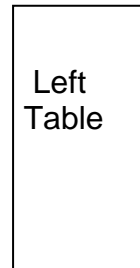
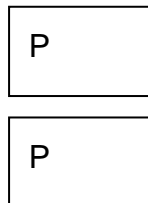
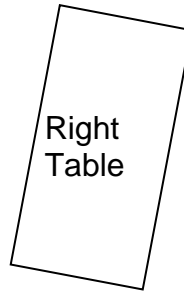
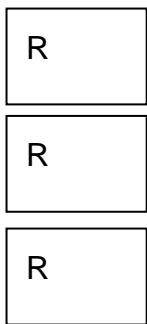
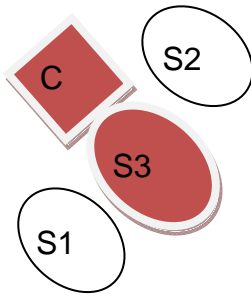


**Stage One**  
**10 Rifle 10 Pistol 2+ Shotgun**



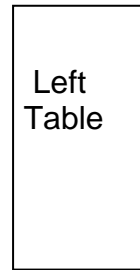
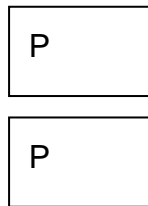
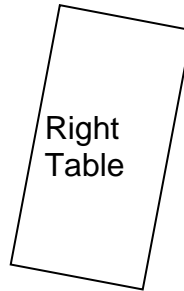
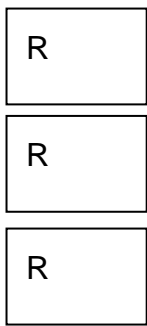
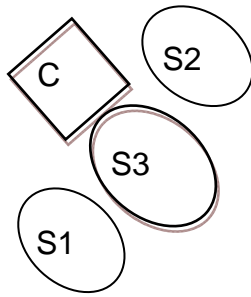
**Staging:** Pistols holstered, rifle and shotgun staged on right table.

**Gun Order:** Pistols, rifle, shotgun.

**Scenario:** Standing behind the left table hands on pistol or pistols, when ready say, ***"I am invincible..!"*** ATB with pistols place 3 rounds on the first target and 2 rounds on the second then 2 on the first then 3 on the second (3-2-2-3), move to the right table and with rifle sweep the rifle targets in a 3-4-3 sweep from either end. Then using shotgun, knock down S1 & S2 in any order.

**Note:** S3 and clay not used on this stage.

**Stage Two**  
**9 Rifle 10 Pistol 4+ Shotgun**

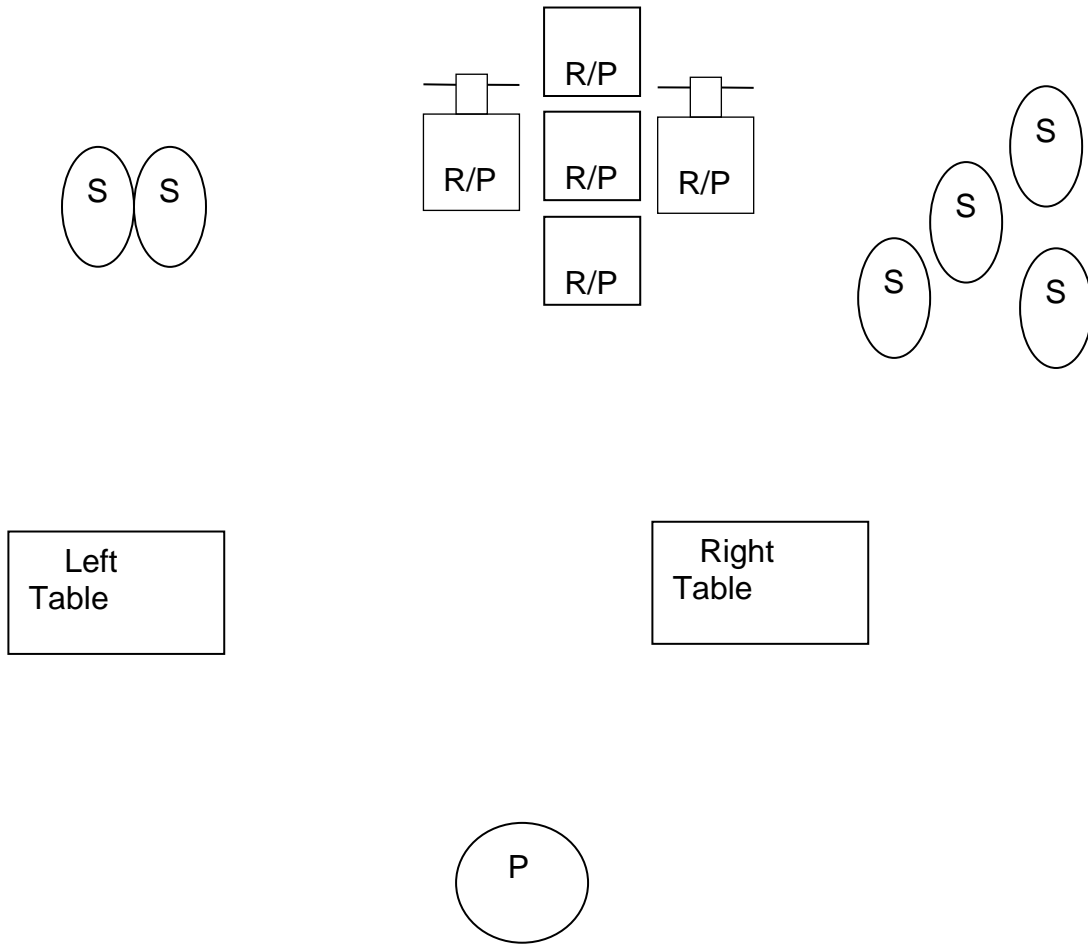


**Staging:** Pistols holstered, rifle staged on right table, shotgun in hands.

**Gun Order:** Shotgun, rifle, pistols.

**Scenario:** Standing behind the right table, shotgun in hands, when ready say, "**Scattergun..!**" ATB knock down S1 – S3 in any order and the clay in the air for a 5 second bonus, miss on the clay is not counted as a miss. Next with rifle sweep the targets in a 1-2-3-2-1 sweep from either end. Move to the left table and place 10 rounds on the 2 targets in any order.

**Stage Three**  
**10 Rifle 10 Pistol 6+ Shotgun**

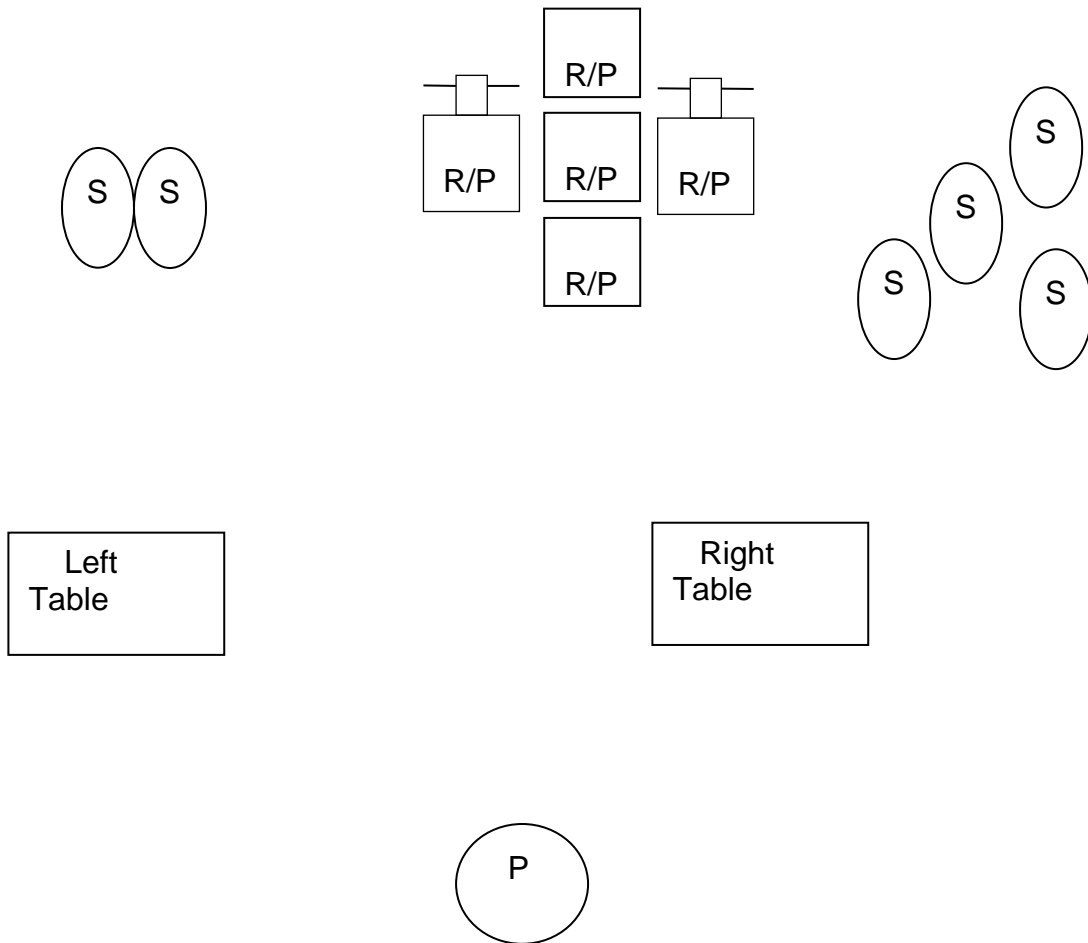


**Staging:** Pistols holstered, shotgun staged on the right table rifle in hands.

**Gun Order:** Rifle, pistols, shotgun.

**Scenario:** Standing with one foot touching start plate with rifle in hands. when ready say ***“It’s a hold-up!!”*** ATB with rifle double tap the 5 rifle targets in any order, move to the right table then with pistols repeat per rifle instructions. Next with shotgun knock down the 4 SG targets in any order, then move to the left table and knock down the 2 SG targets in any order.

**Stage Four**  
**10 Rifle 10 Pistol 6+ Shotgun**

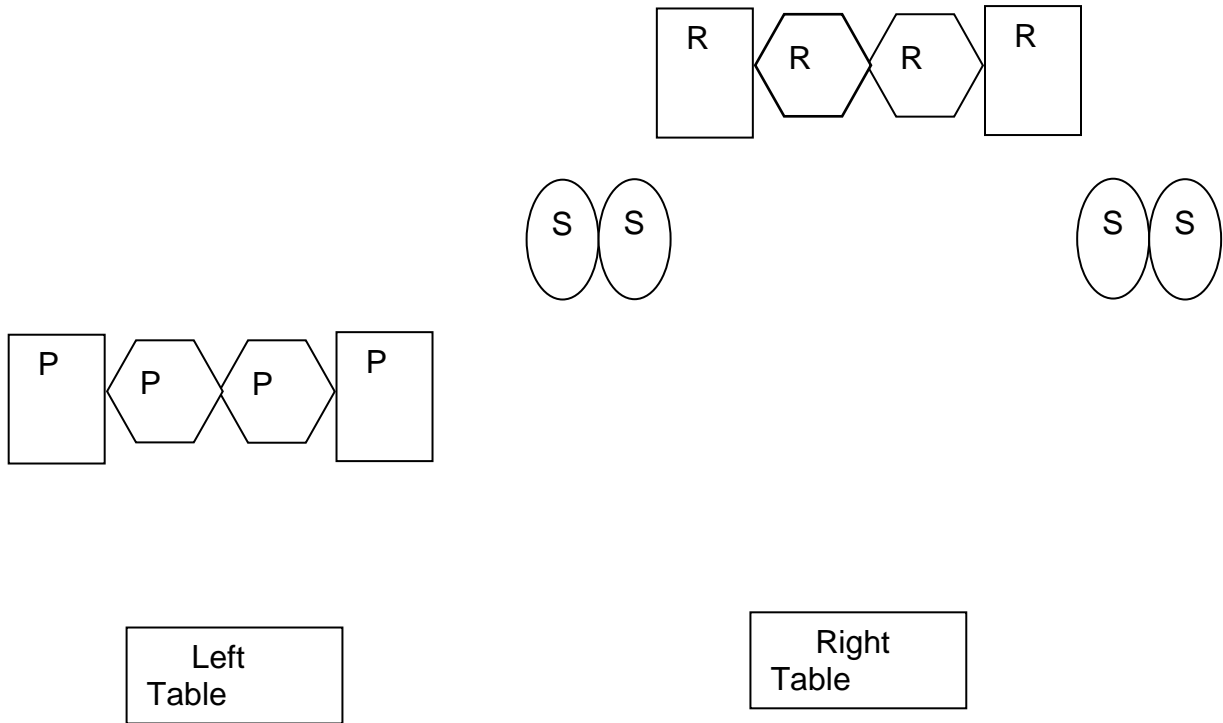


**Staging:** Pistols holstered, shotgun staged on left table, rifle at cowboy port arms.

**Gun Order:** Rifle, shotgun, pistols.

**Scenario:** Standing with one foot touching the start plate, rifle at cowboy port arms, when ready say ***“drop that gun!!!!”*** ATB with rifle alternate on the 2 cowboys for 4 rounds, then sweep the 3 vertical targets twice from either direction. Move to the left table and with shotgun knock down the 2 SG targets in any order. Move to the right table and knock down the 4 SG targets in any order, then with pistols repeat per rifle instructions.

**Stage Five**  
**10 Rifle 10 Pistol 4+ Shotgun**

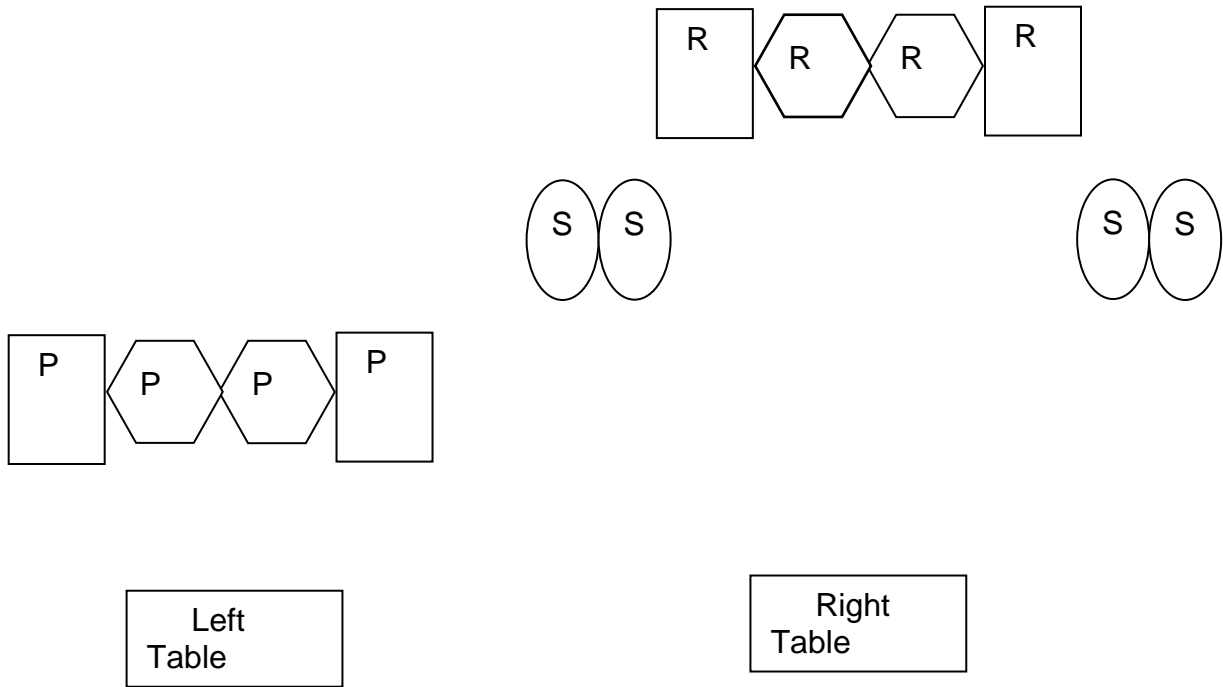


**Staging:** Pistols holstered, shotgun and rifle staged on the right table.

**Gun Order:** Pistols, rifle, shotgun.

**Scenario:** start standing behind the left table with hands on hat, when ready say **“Stampede!”** ATB with pistols Nevada sweep the pistol targets for 10 rounds starting on either end. Move to the right table and with rifle Nevada sweep the rifle targets for 10 rds starting on either end. With shotgun knock down the shotgun targets in any order.

**Stage Six**  
**10 Rifle 10 Pistol 4+ Shotgun**



**Staging:** Pistols holstered. Shotgun and rifle staged on the right table.

**Gun Order:** Rifle or shotgun then pistols.

**Scenario:** Start standing behind the right table, hands on “staged” gun of choice, when ready say **“hang him high!”** ATB if starting with rifle place 3 rounds on a rectangle and 1 rd on each hexagon, then 3 rds on the other rectangle and 1 rd on each hexagon. With shotgun, knock down shotgun targets in any order. Move to the left table and with pistols use same instructions as rifle.