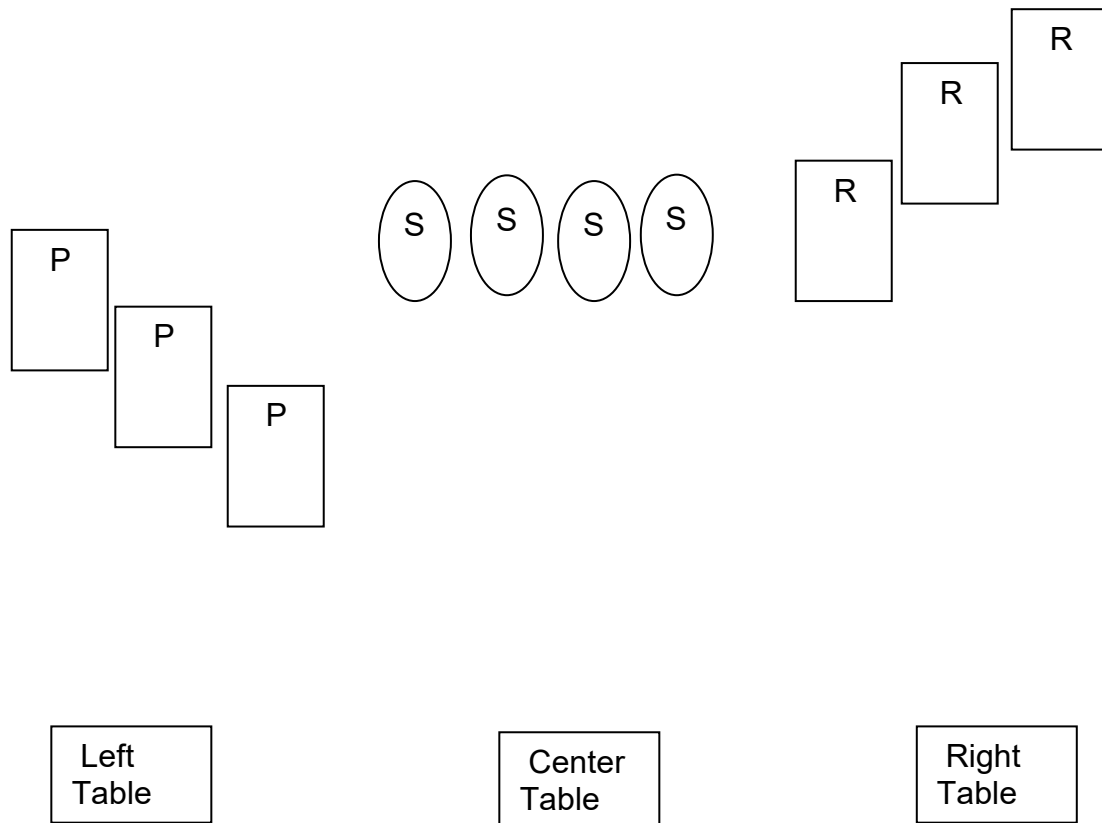


**Stage One**  
**10 Rifle 10 Pistol 4+ Shotgun**

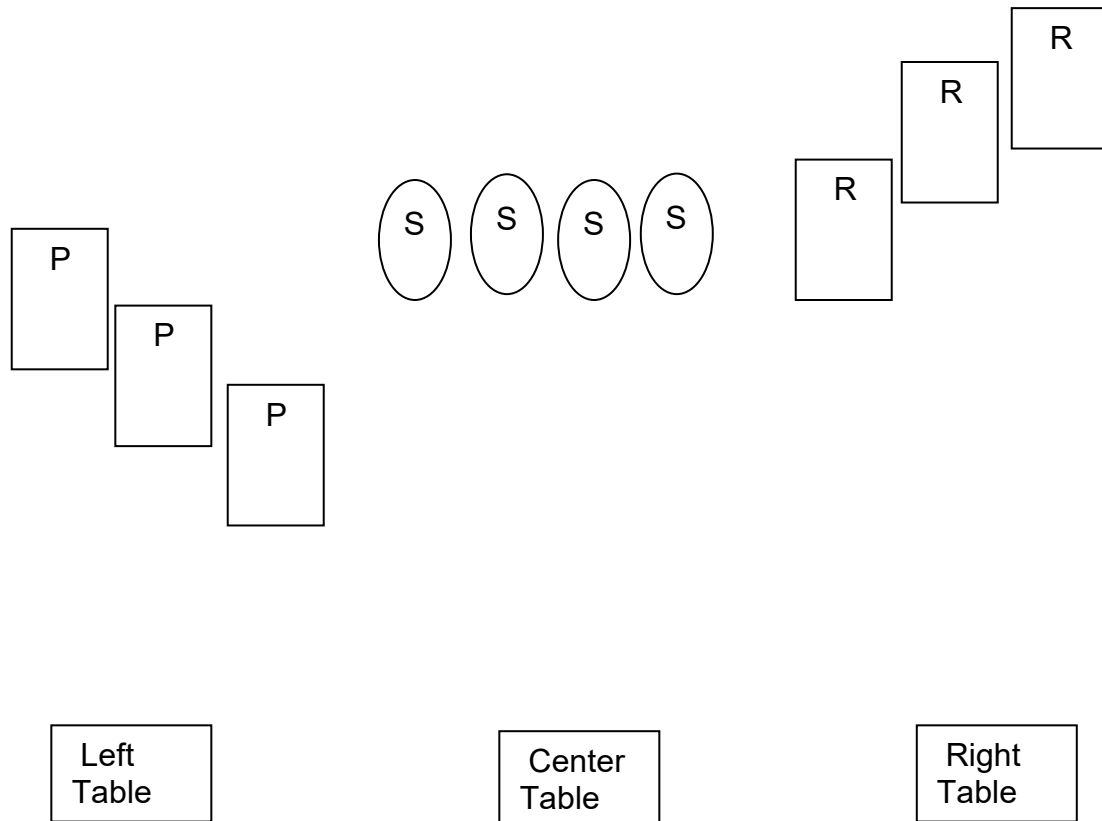


**Staging:** Pistols holstered, shotgun on center table, rifle in hands.

**Gun Order:** Rifle, shotgun, pistols.

**Scenario:** Standing behind the right table, rifle in hands, when ready say ***“don’t you light that dynamite!”*** ATB sweep the rifle targets in a 2-5-3 sweep from either end. Move to center table with shotgun knock down SG targets, in any order. Move to the left table and sweep the pistol targets in a 2-5-3 sweep from either end.

**Stage Two**  
**10 Rifle 10 Pistol 4+ Shotgun**

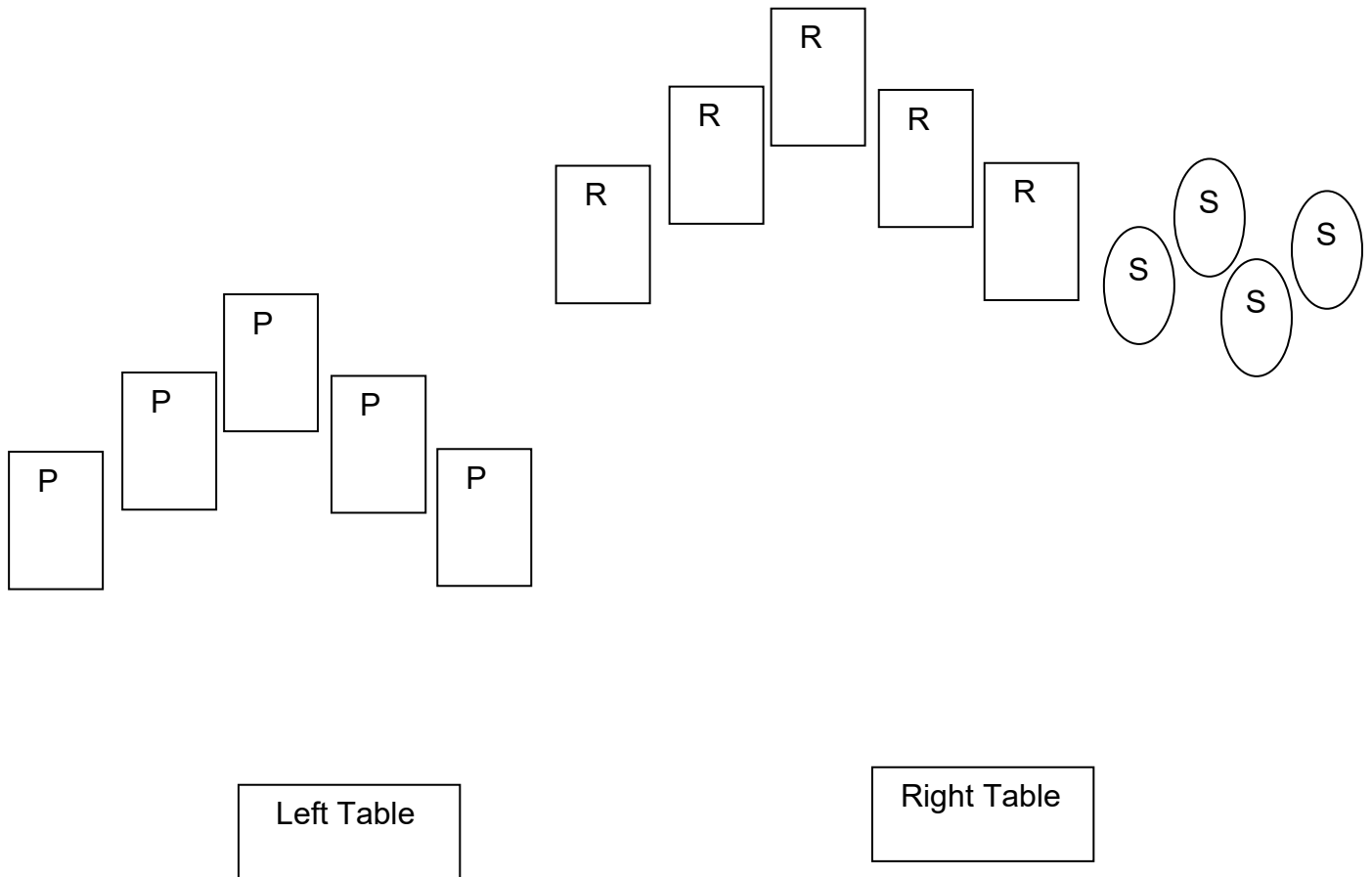


**Staging:** Pistols holstered, shotgun on center table, rifle on right table.

**Gun Order:** Pistols, rifle, shotgun.

**Scenario:** Standing behind left table, hands on at least one pistol, when ready say ***“light that dynamite!”*** ATB engage pistol targets in a double tap Nevada sweep starting on any target. Move to the right table and engage rifle targets per the pistol instructions. Move to the center table with shotgun knock down SG targets, in any order.

**Stage Three**  
**10 Rifle 10 Pistol 4+ Shotgun**



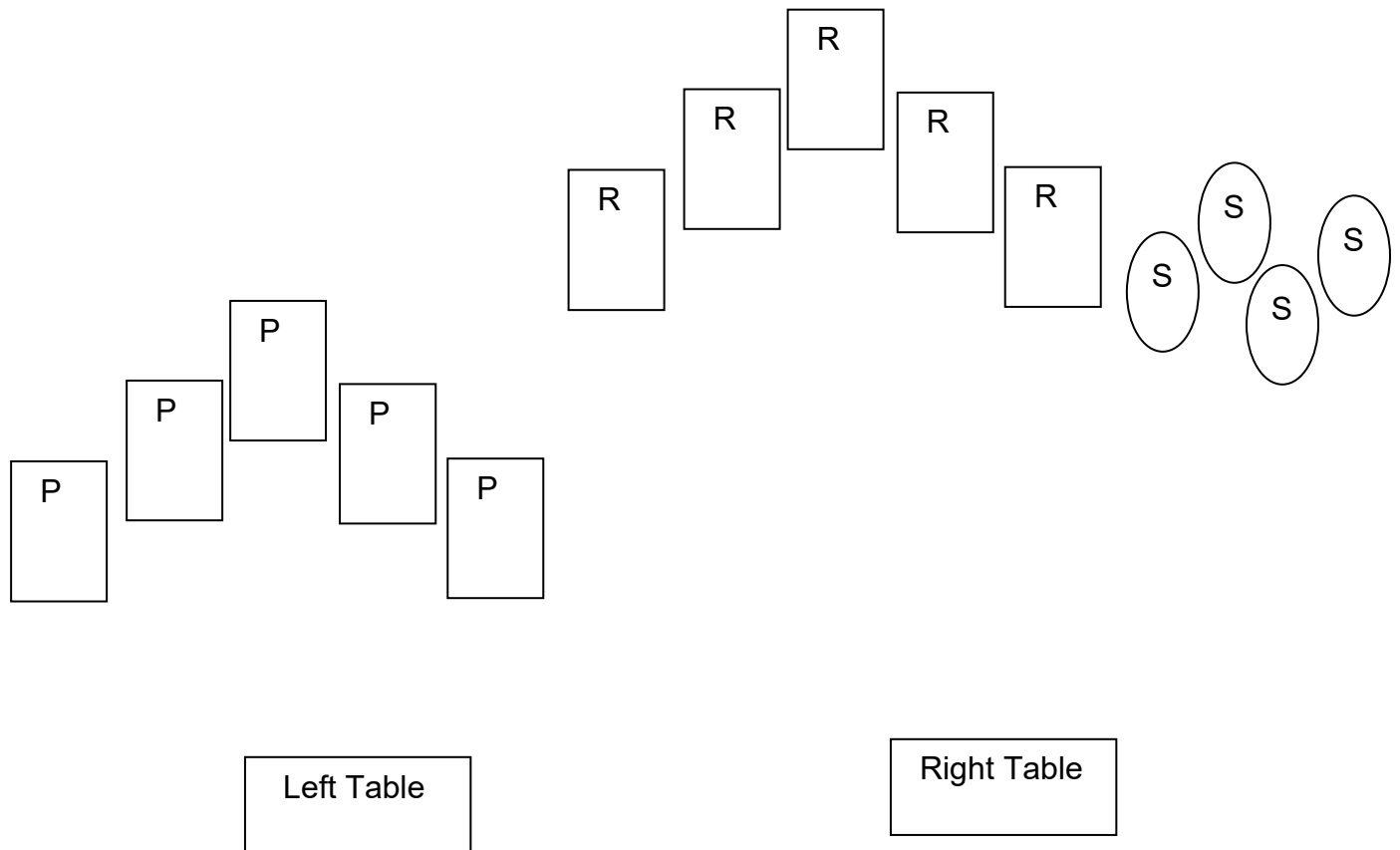
**Staging:** Pistols holstered, shotgun and rifle on the right table.

**Gun Order:** Shotgun, rifle, pistols.

**Scenario:** Start behind the right table, hands on hips, when ready say ***“If you have to shoot, shoot!”*** ATB with shotgun knock down shotgun targets in any order, with rifle engage rifle targets in a 1-2-4-2-1 sweep from either end. From left table engage pistol targets in a 1-2-4-2-1 sweep from either end.

*Savannah River Rangers 05-15-22*

**Stage Four**  
**10 Rifle 10 Pistol 4+ Shotgun**

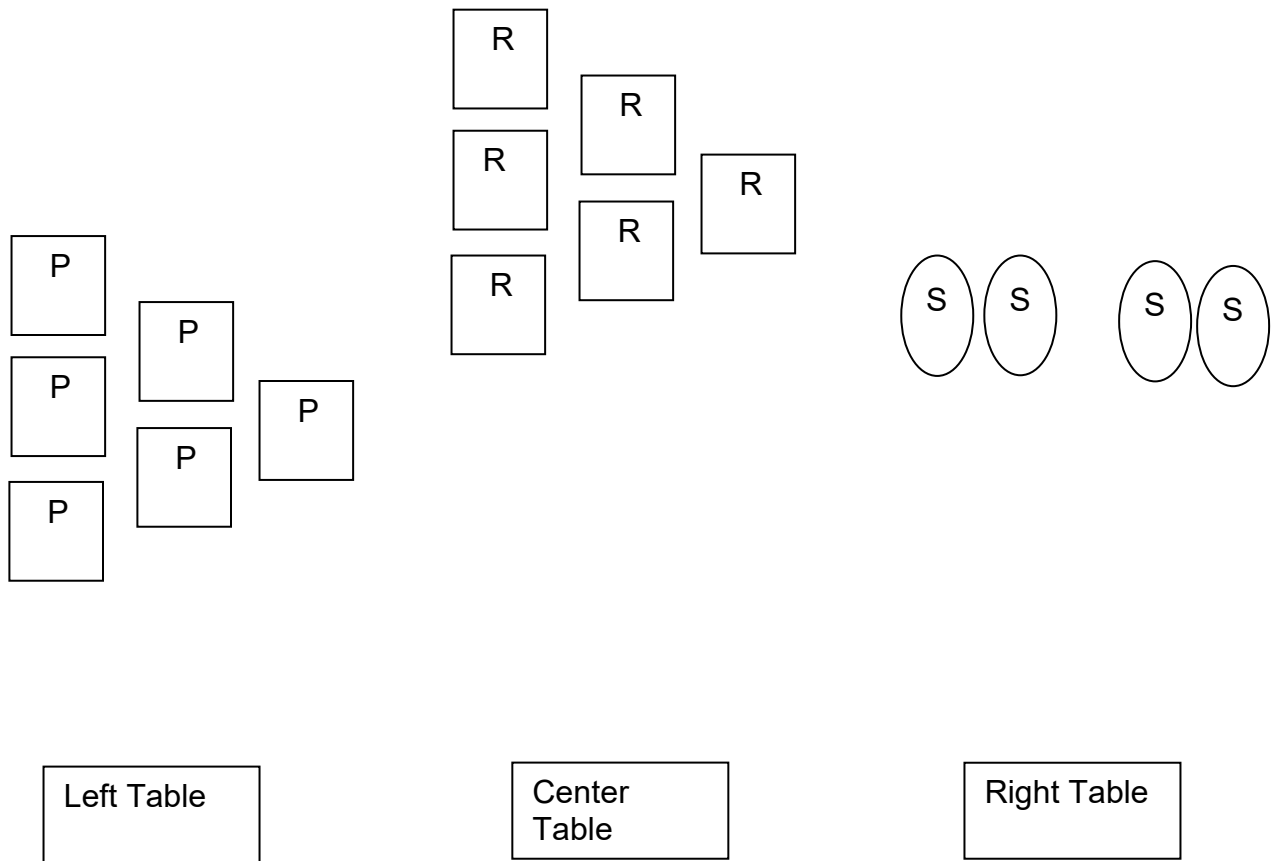


**Staging:** Pistols holstered, rifle and shotgun on the right table.

**Gun Order:** Pistols, rifle, shotgun.

**Scenario:** Start standing behind the left table with hands relaxed by sides, when ready say ***“you’re no Daisy!”*** ATB with the pistols, starting on either end sweep the five targets twice from either direction, move to the right table and with rifle same instruction as pistols, yes you may double tap the end target and sweep back. With shotgun knock down shotgun targets in any order.

**Stage Five**  
**10 Rifle 10 Pistol 4+ Shotgun**

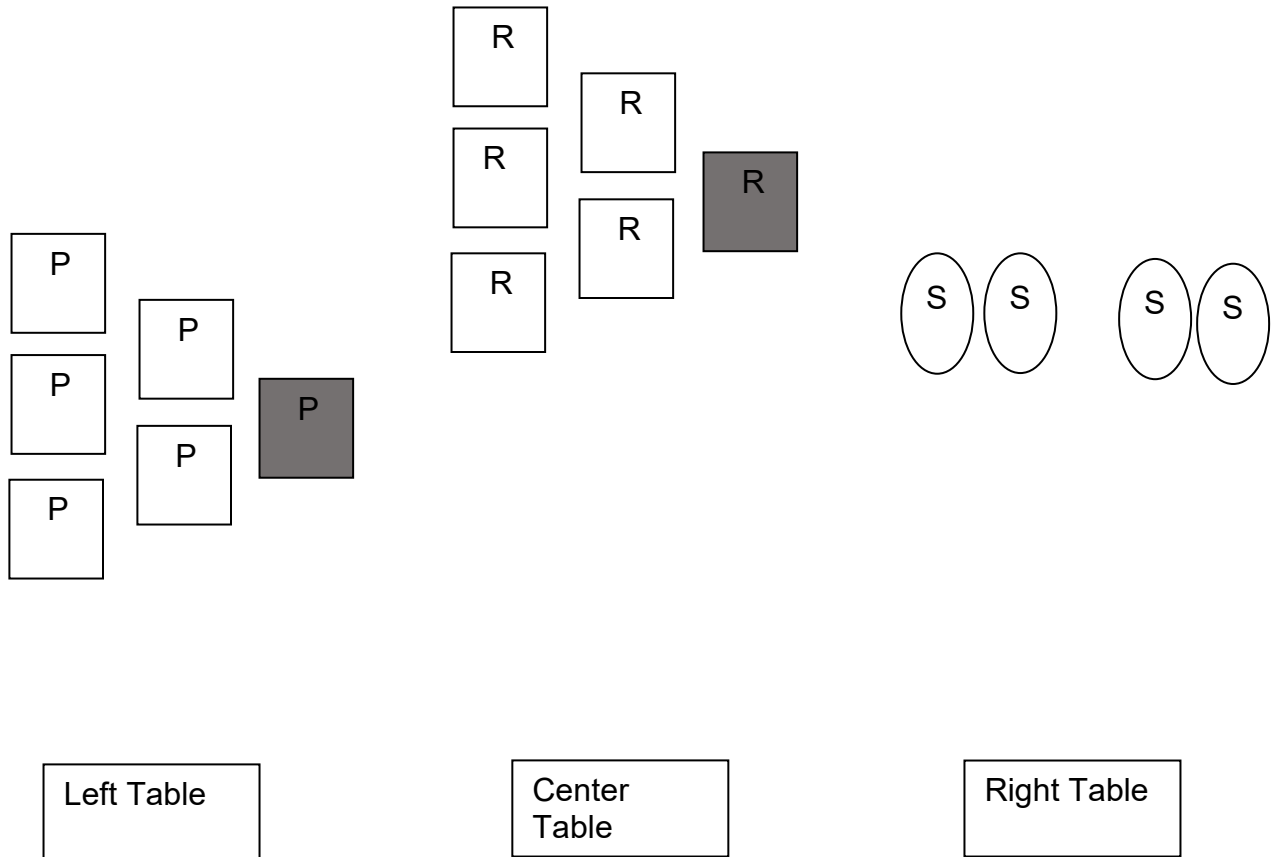


**Staging:** Pistols holstered, rifle staged on center table and shotgun on right table

**Gun Order:** Rifle not last.

**Scenario:** Standing behind table of choice with hands cupped around mouth as in shouting. When ready say, "***Lets Go!***" ATB with pistols, engage pistol targets by placing 1 round on each triple stack target, 2 rounds on each double stack target and 3 rounds on the single stack target or the reverse. With rifle engage rifle targets per pistol instructions. With shotgun, knock down the shotgun targets, any order.

**Stage Six**  
**10 Rifle 10 Pistol 4+ Shotgun**



**Staging:** Pistols holstered, rifle on center table and shotgun staged on the right table.

**Gun Order:** Rifle not last.

**Note:** Grey targets not in play, please take down.

**Scenario:** Standing behind the table of choice with hands on hat. When ready say **“Double tap?”** ATB if starting at right table, with shotgun, knock down the shotgun targets, any order. From the center table, with rifle place 2 rounds on each rifle target in any order. From left table with pistols engage pistol targets per rifle instructions.