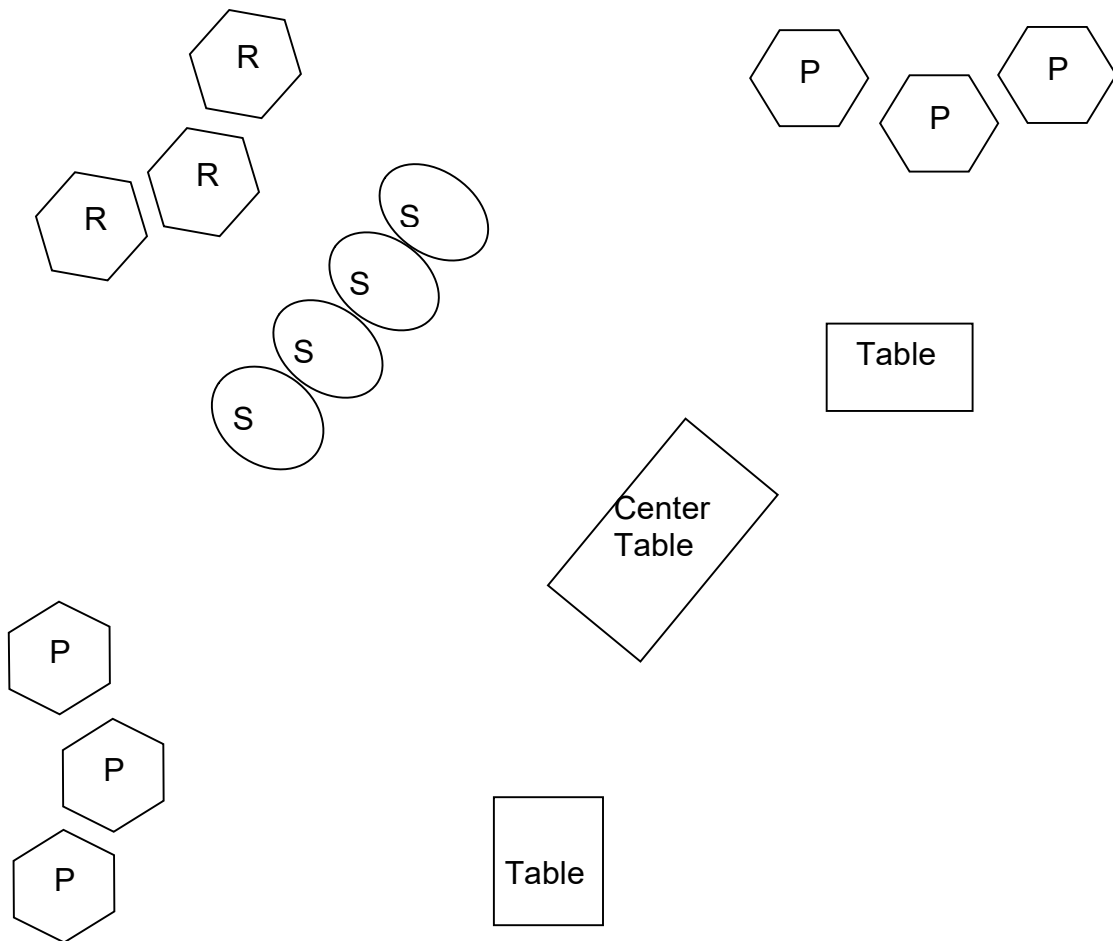


Stage One
10 Rifle 10 Pistol 4+ Shotgun

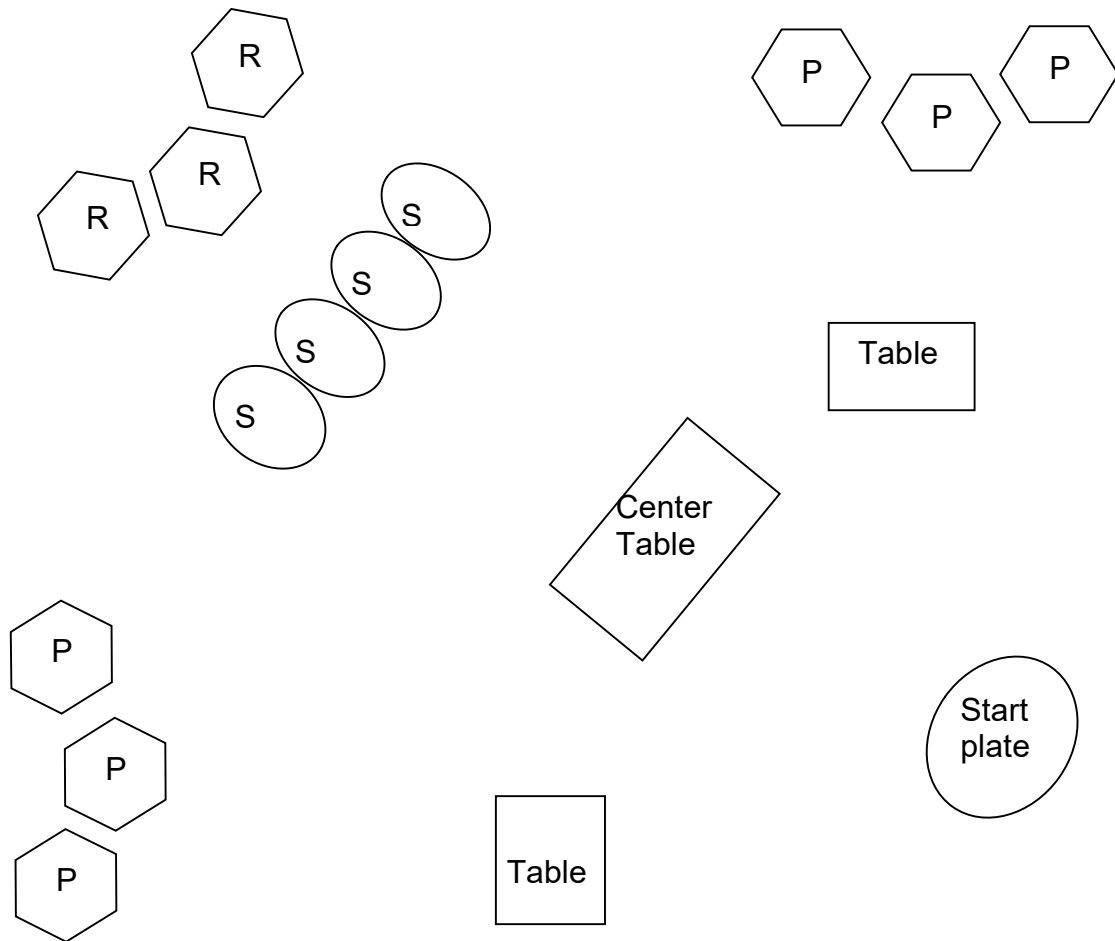


Staging: Pistols holstered, shotgun and rifle staged on center table.

Gun order: Pistol, shotgun, rifle, pistol.

Scenario: Standing behind either pistol table, hands relaxed by side, when ready say “**This box is meowing**” ATB engage pistol targets in a 1-3-1 sweep from either end, move to the center table and with shotgun, knock down SG targets in any order. Then with rifle engage rifle targets in a 1-3-1 sweep from either end and repeat from same end. Move to the other pistol table and engage pistol targets in a 1-3-1 sweep from either end.

Stage Two
9 Rifle 10 Pistol 4+ Shotgun

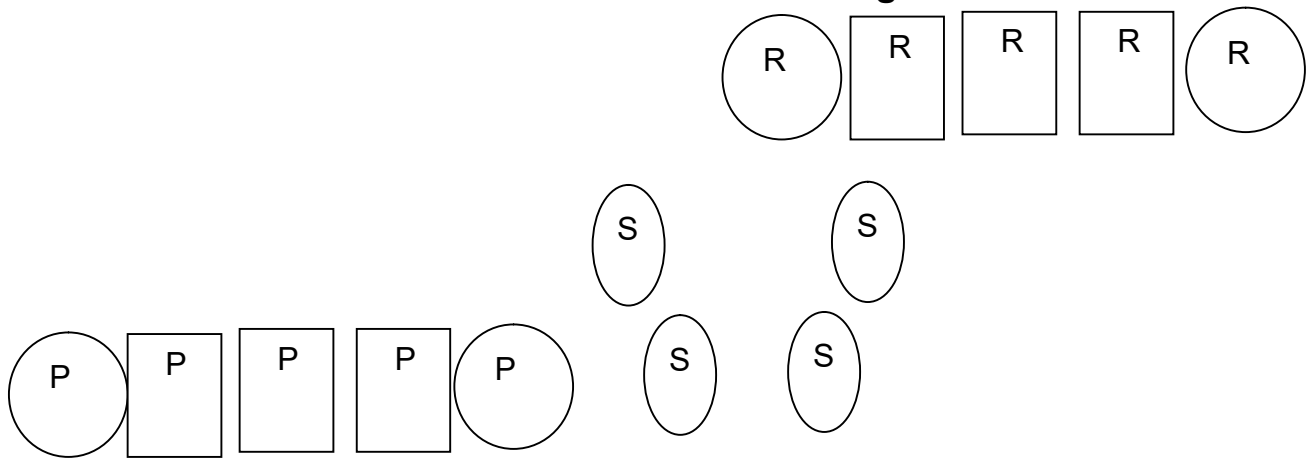


Staging: Pistols holstered, shotgun staged on the center table, rifle in hands.

Gun order: Rifle, shotgun, pistols.

Scenario: Standing with foot touching start plate, when ready say, “**We’re gonna have the hap-hap-happiest Christmas**” ATB with rifle engage the rifle targets in a 9 shot Nevada sweep starting on any target, move to the table and with shotgun knock down shotgun targets in any order. Then move to table of choice and engage pistol targets in two separate 5 shot Nevada sweeps starting on any target.

Stage Three
10 Rifle 10 Pistol 4+ Shotgun

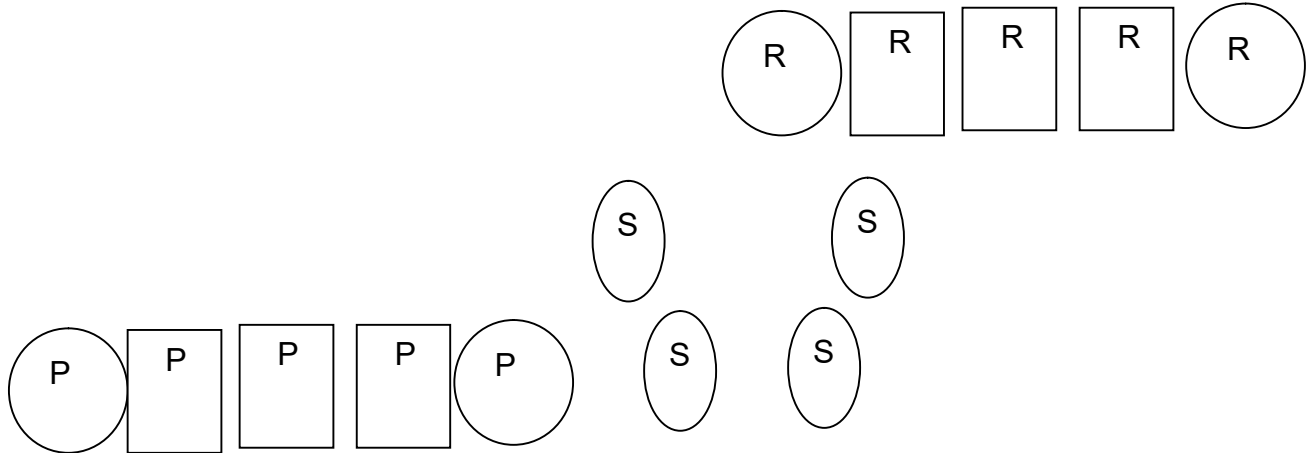


Staging: Pistols holstered, rifle staged on right table and shotgun in hands.

Gun order: Shotgun, rifle, pistols.

Scenario: Standing behind the right table with shotgun in hands, when ready say ***“You about ready to do some kissin?”*** ATB with shotgun, knock down the shotgun targets, any order. Then with rifle engage a circle with 2 rounds, then sweep the 3 rectangles, then 2 rounds on the other circle, then sweep the 3 rectangles. Then move to the left table and use same instructions for pistols as rifle.

Stage Four
10 Rifle 10 Pistol 4+ Shotgun



Left Table

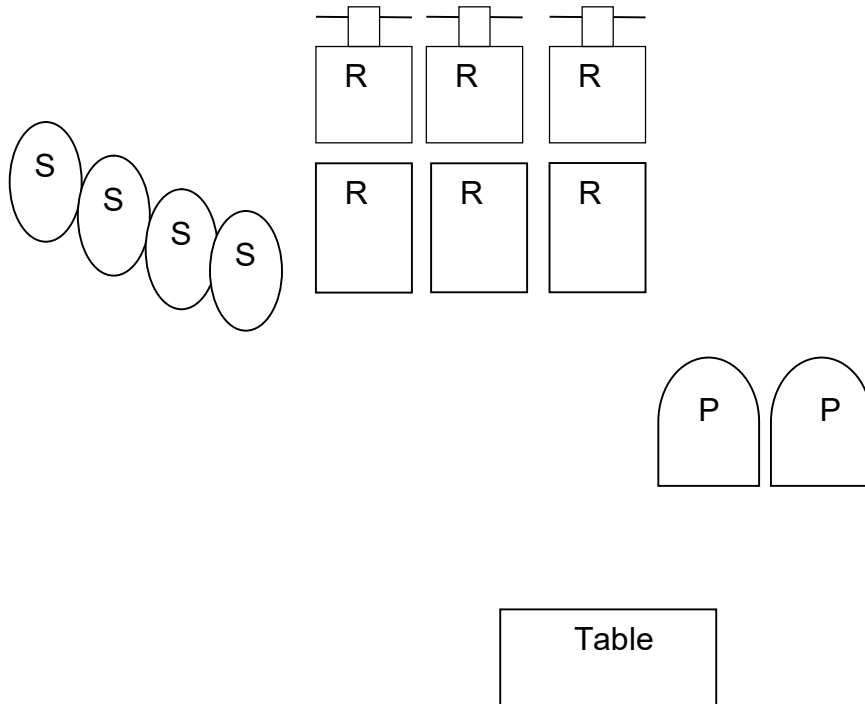
Right Table

Staging: Pistols holstered, shotgun and rifle staged on right table.

Gun order: Pistols, rifle, shotgun.

Scenario: Standing behind left table, hands on pistol or pistols. When ready say, ***“Can I refill your eggnog?”*** ATB sweep the pistol targets twice from either end (yes you may double tap the end). Move to the right table and engage rifle targets same instruction as pistols. Then with shotgun, knock down the shotgun targets, any order.

Stage Five
10 Rifle 10 Pistol 4+ Shotgun

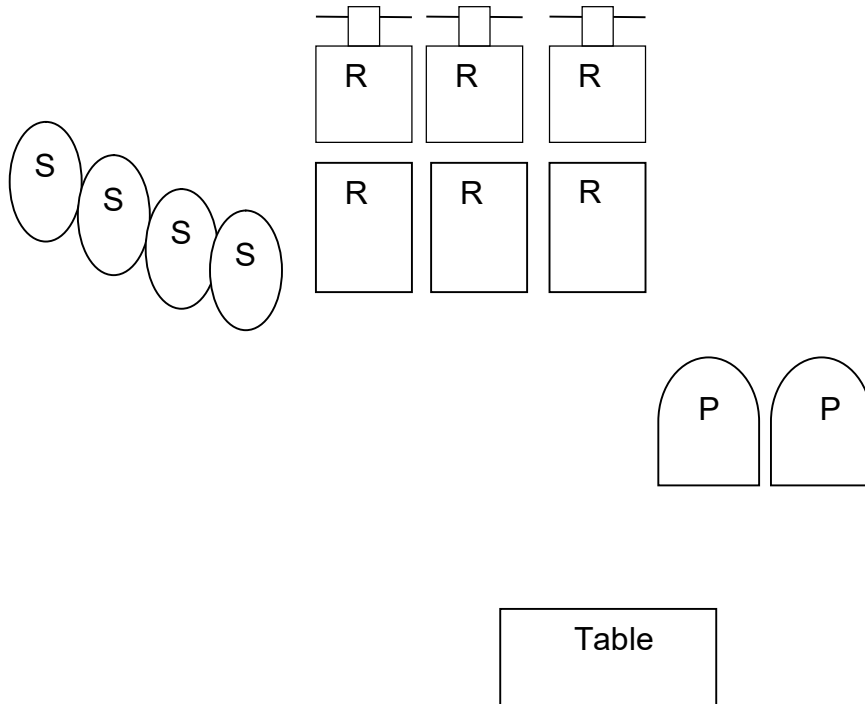


Staging: Pistols holstered, rifle and shotgun staged on table.

Gun order: rifle not last.

Scenario: Standing behind the table, hands on hat. When ready say, “**Is your house on fire, Clark?**” ATB with shotgun, knock down the shotgun targets, any order. With rifle, sweep the upper rifle targets in a 2-1-2 sweep and the lower targets in a 2-1-2 sweep, may start on upper or lower targets. With pistols perform a progressive sweep on the 2 targets (1 on 1, 2 on 2, 3 on 1, 4 on 2)

Stage Six
10 Rifle 10 Pistol 4+ Shotgun



Staging: Pistols holstered, rifle and shotgun staged on the table.

Gun order: Rifle not last.

Scenario: Standing behind the table with hands by sides, when ready say ***“Hey Griswold, where do you think you’re gonna put a tree that big?”*** ATB with pistols place 10 rounds on 2 targets. With rifle place 10 rounds on the 6 targets. With shotgun, knock down shotgun targets, in any order.