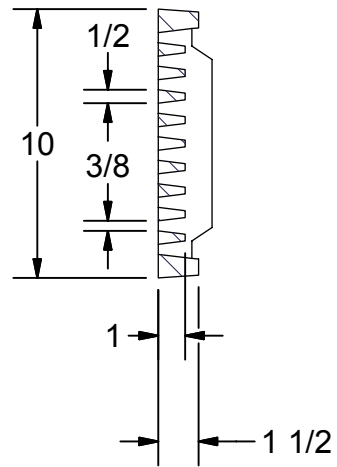
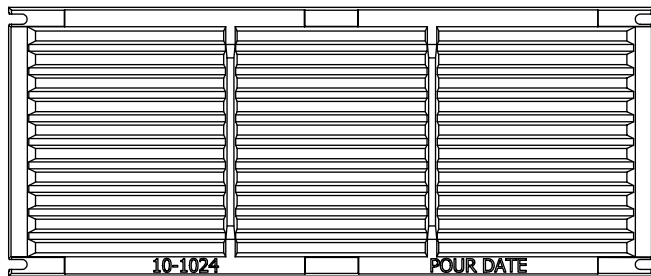
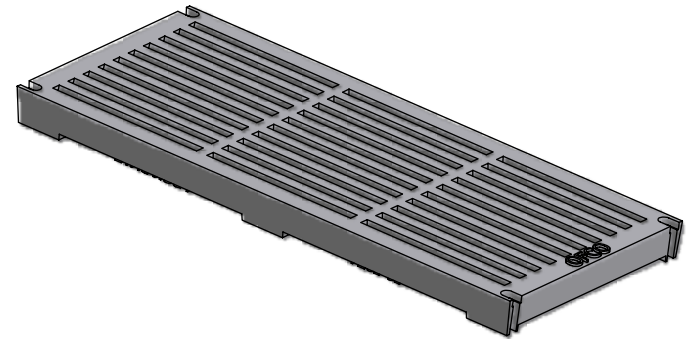


SECTION D-D



SECTION C-C



BACK

NOTES:
1. PAINT STANDARD BLACK

PARTS LIST



OLYMPIC FOUNDRY INC.

TITLE 10" X 24" X 1 1/2" STYLE "Q" TRENCH GRATE

RATING: H-20 & ADA PART NO. 10-1024

REV:	REV -
REV:	
REV:	

MATL: DI ASTM A536 CL80-55-06
APX WT. 38 LBS.

TOLERANCES:
X.X = ± .1 X.XXX = ± .03 ▽ = ± 2'
X.XX = ± .06 FRAC = ± 1/16

DOC APPVD
BY: DATE:

DWN: CM 07/11/07
CHKD:

DWG NO: 10-1024 T2410 ADA Q CAT

SCALE: N/A SH 1 OF 1