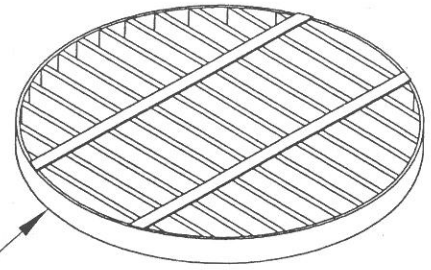


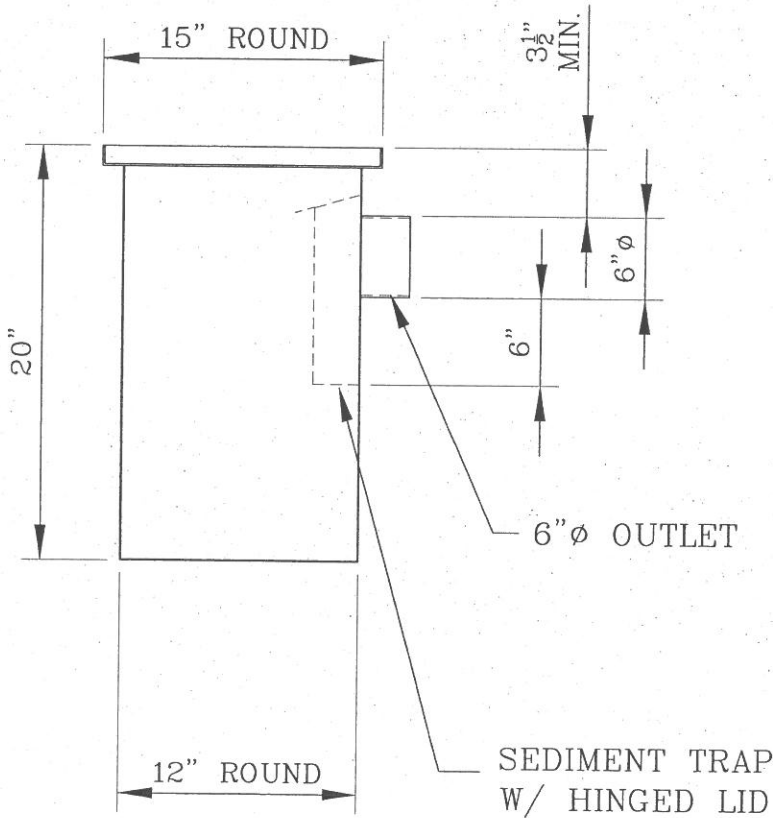
PLAN VIEW



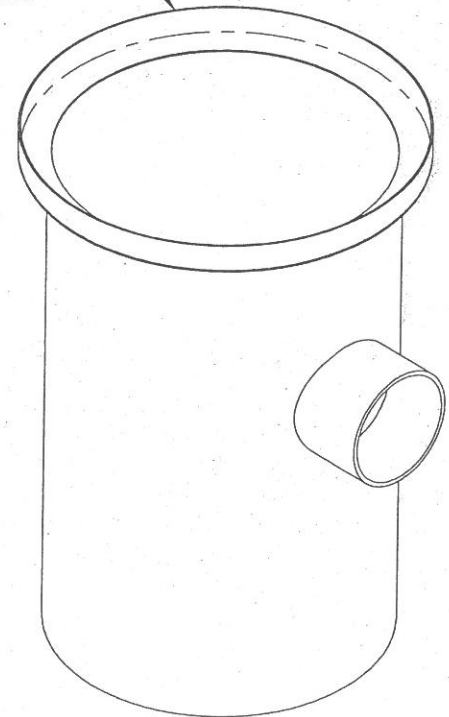
GRATING

NOTES:

BOX FABRICATED FROM 10 GA. MILD STEEL



SIDE VIEW



ISOMETRIC

STATE APPROVED - ASPHALT DIPPED



Gibson Steel Basins  
SINCE 1972

12" ROUND - 6"  $\phi$  OUTLET

ROUND STORM WATER CATCH BASIN

PROJ. MAN. DOUG P.

DWN. PAUL G.

SCALE NONE

DATE: JAN. 23, 06

MODEL: RCB12-20HB-6

DWG #

**R1**

247 Washington St. Eugene, Or. 97401 ph:(541) 687 - 8672 fax: 344-0207