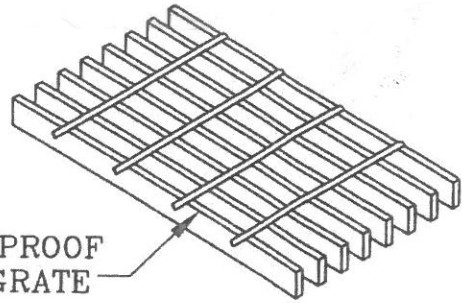


PLAN VIEW

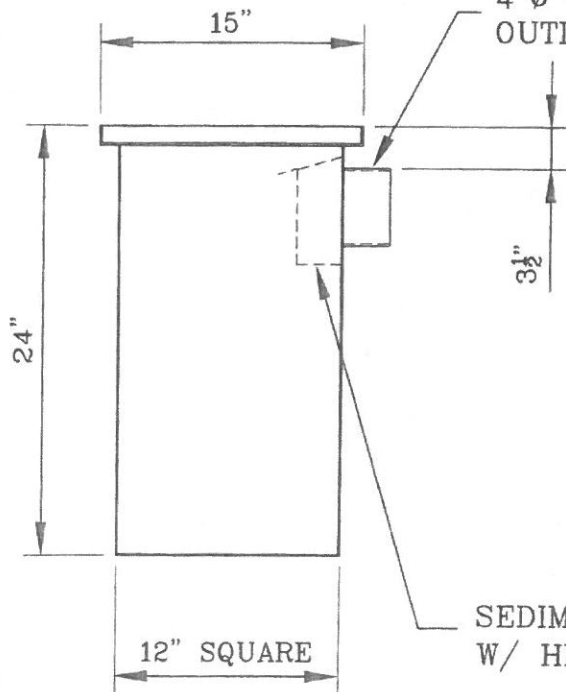


BIKE PROOF  
BAR GRATE

GRATING

NOTES:

BOX FABRICATED FROM  
10 GA. MATERIAL



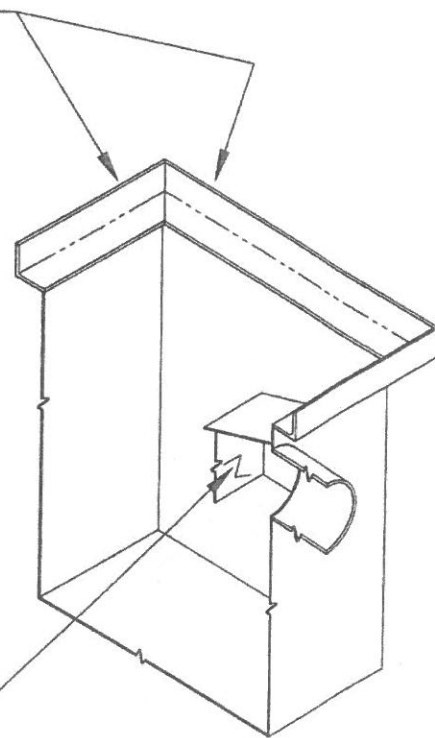
SIDE VIEW

L1 1/2 x 1 1/2 x 3/16  
FRAME

4"  $\phi$  OR 6"  $\phi$   
OUTLET

3 1/2"

SEDIMENT TRAP  
W/ HINGED LID



ISOMETRIC SECTION

STATE APPROVED - ASPHALT DIPPED



Gibson Steel Basins  
SINCE 1972

12" SQUARE - 4"  $\phi$  OR 6"  $\phi$  OUTLET

LANDSCAPING MINI-BASIN

PROJ. MAN. DOUG P.

DWN. PAUL G.

SCALE NONE

DATE: JAN. 23, 06

MODEL: GMCB10-1224HB-4&6

DWG #

L5

247 Washington St. Eugene, Or. 97401 ph:(541) 687 - 8672 fax:344-0207