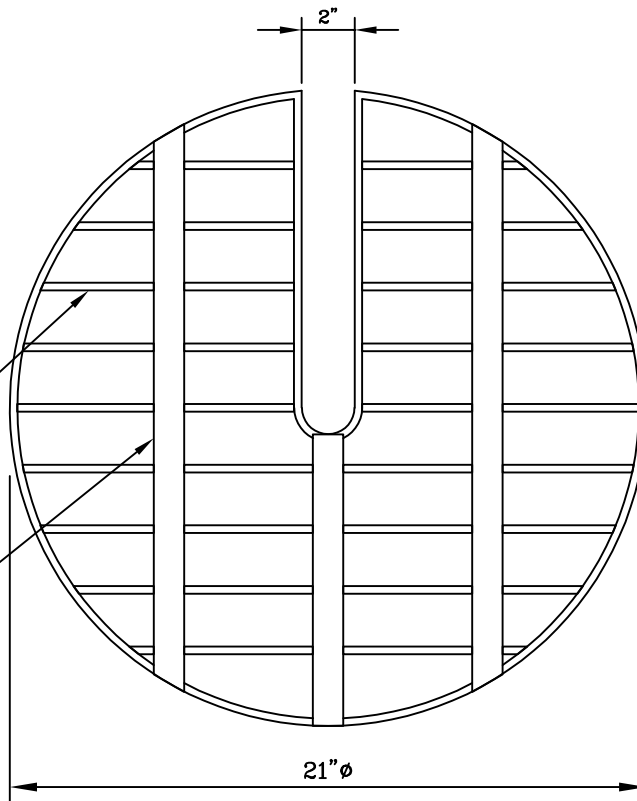


GRATE - F.B. $\frac{1}{4}$ " x $1\frac{3}{4}$ "

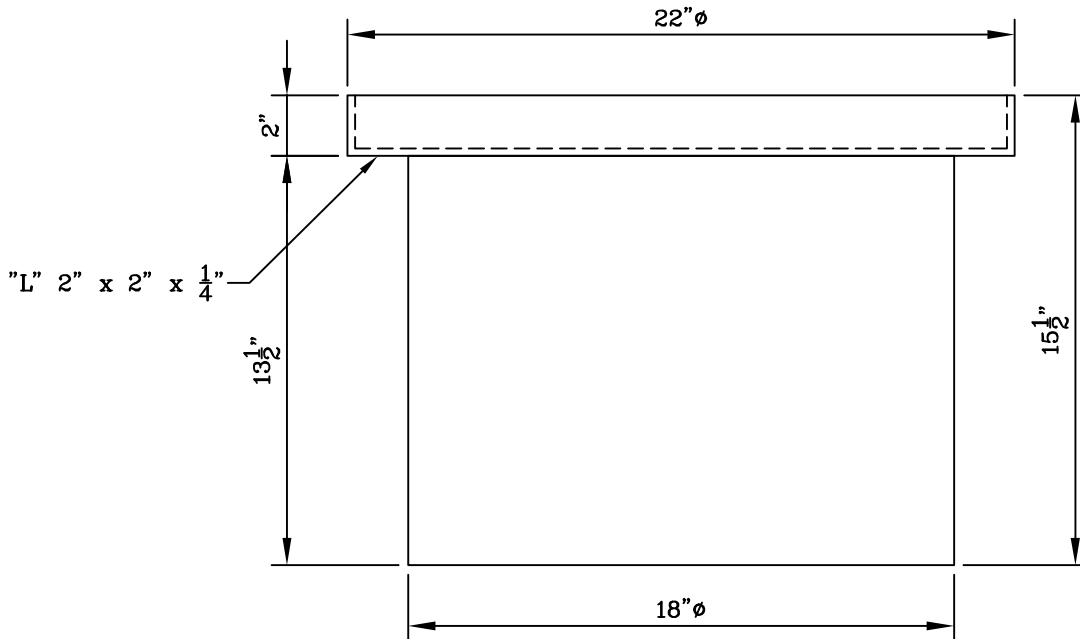
STRAP - F.B. $\frac{1}{8}$ " x 1"



NOTES:

MATERIAL:
10 GAUGE
ASPHALT DIPPED

PLAN VIEW



ELEVATION

18" ϕ VAULT SUMP

TUALITIN VALLEY WATER DISTRICT

MODEL: GSB-VSB

DATE: 11/19/2020

SCALE: NONE

DWG #

V1

Gibson Steel Basins, Inc.

1040 Arrowsmith St. Eugene Or. 97402
(541) 484-7200 or (800) 574-8096

Visit us at: www.gibsonsteelbasins.com

Email us at: sales@gibsonsteelbasins.com

EST. 1996

CCB 150089