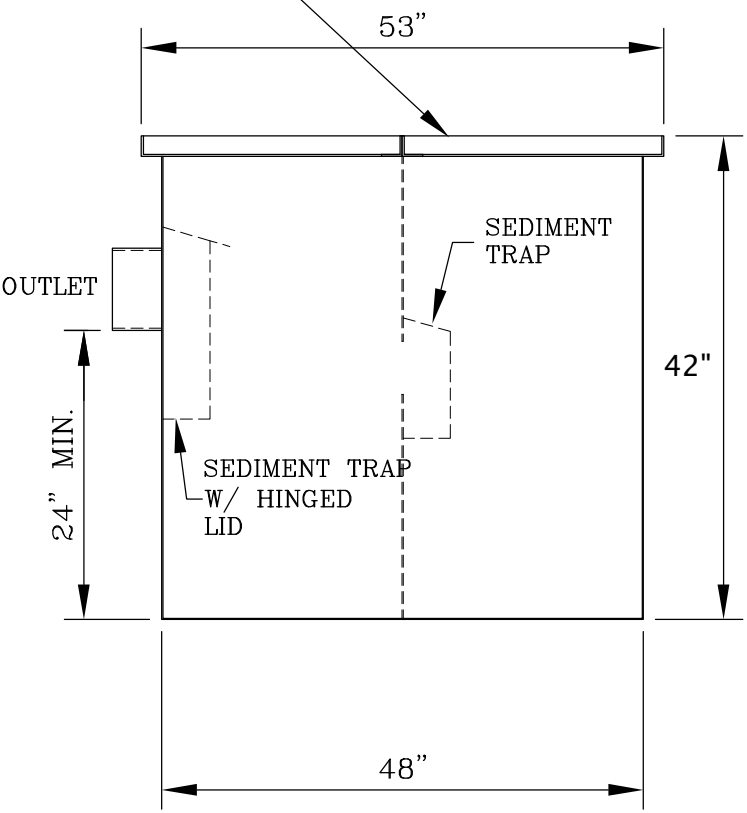


PLAN VIEW

L2½x2½x⅜  
FRAME

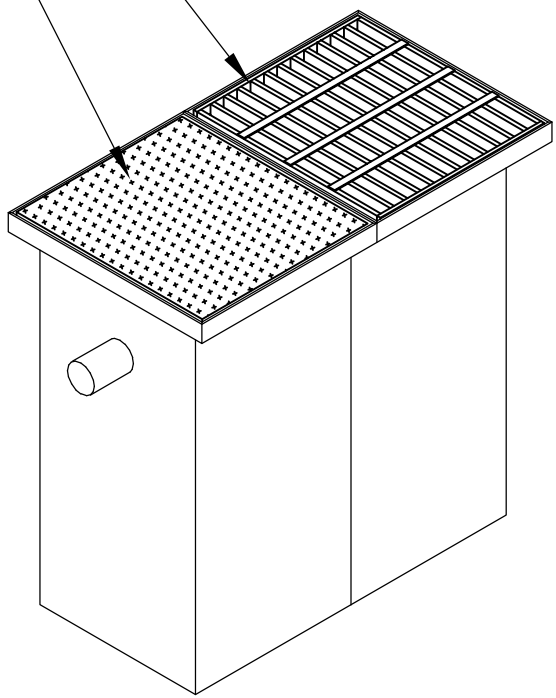


SIDE VIEW

NOTES:  
BOX FABRICATED FROM  
10 GA. MATERIAL

DUCTILE IRON SOLID LID  
& DUCTILE IRON GRATE

BIKE PROOF, HEAVY  
DUTY TRAFFIC GRATE  
SUPPORTS AASHTO  
H20 LOADS



ISOMETRIC

STATE APPROVED — ASPHALT DIPPED

24"x42" - 6"Ø OUTLET		DWG # <b>D2</b>
SAND COLLECTOR CATCH BASIN		
MODEL: SCB10-42HB-6		
DATE: 11/19/2020	SCALE: NONE	

Gibson Steel Basins, Inc.

1040 Arrowsmith St. Eugene Or. 97402  
(541) 484-7200 or (800) 574-8096

Visit us at: [www.gibsonsteelbasins.com](http://www.gibsonsteelbasins.com)  
Email us at: [sales@gibsonsteelbasins.com](mailto:sales@gibsonsteelbasins.com)

EST. 1996

CCB 150089