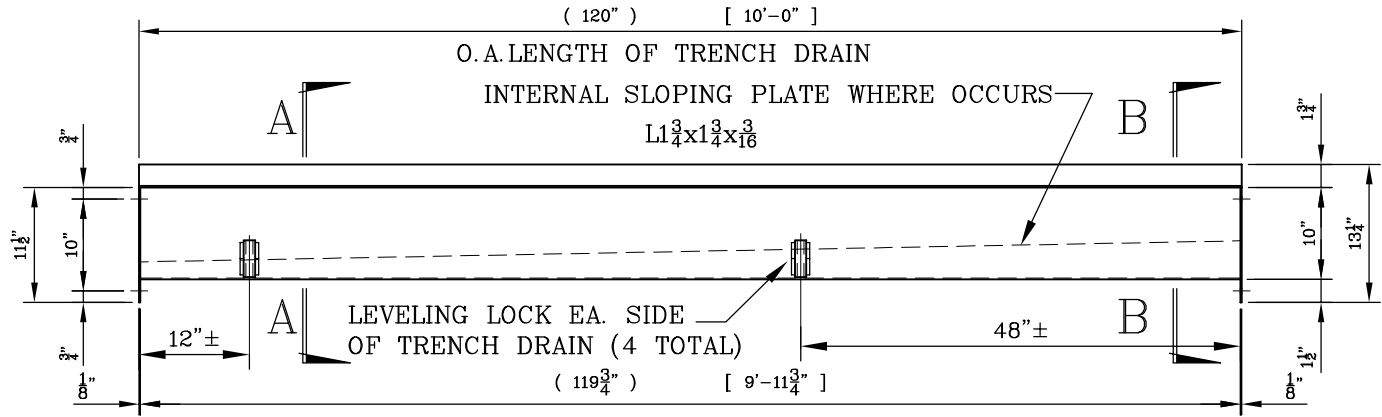
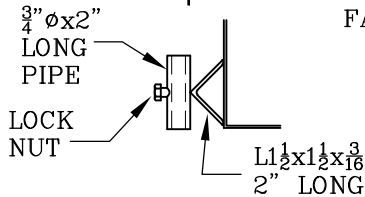


FACE OF TRENCH PLATE TO FACE OF TRENCH PLATE  
PLAN VIEW

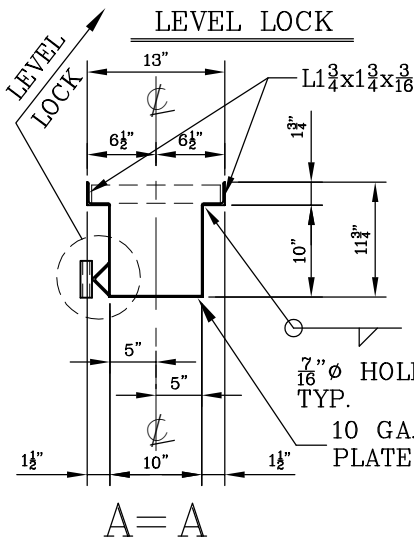


FACE OF TRENCH PLATE TO FACE OF TRENCH PLATE  
ELEVATION

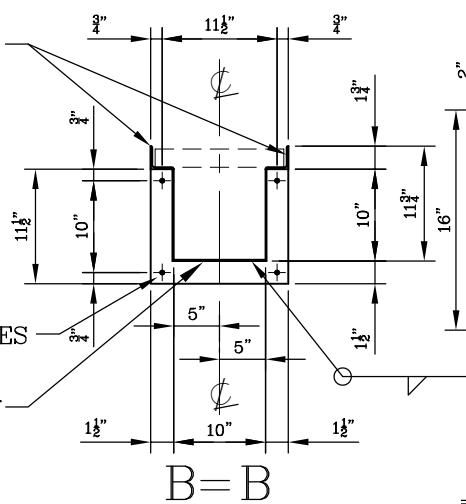
TYPICAL TRENCH DRAIN



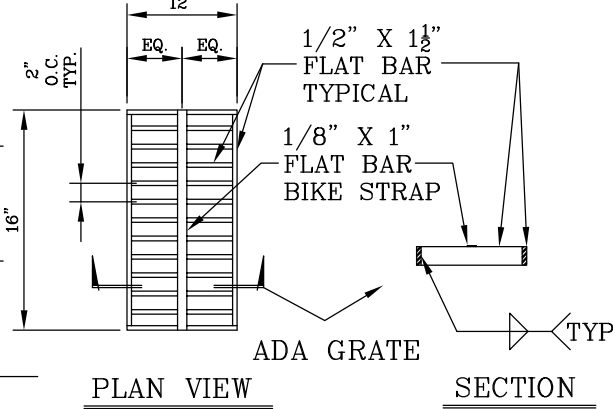
LEVEL LOCK



TRENCH SECTION



END PLATE ELEVATION



PLAN VIEW

SECTION

TYPICAL TRENCH GRATE

(5 TOTAL FOR EACH TRENCH)

10" WIDE x 10" DEEP  
 10 FOOT LONG FLAT TRENCH DRAIN

MODEL: GTD-1010

DATE: 11/19/2020

SCALE: NONE

DWG #  
**TD10**

**Gibson Steel Basins, Inc.**

1040 Arrowsmith St. Eugene Or. 97402  
 (541) 484-7200 or (800) 574-8096

Visit us at: [www.gibsonsteelbasins.com](http://www.gibsonsteelbasins.com)

Email us at: [sales@gibsonsteelbasins.com](mailto:sales@gibsonsteelbasins.com)

EST. 1996

CCB 150089