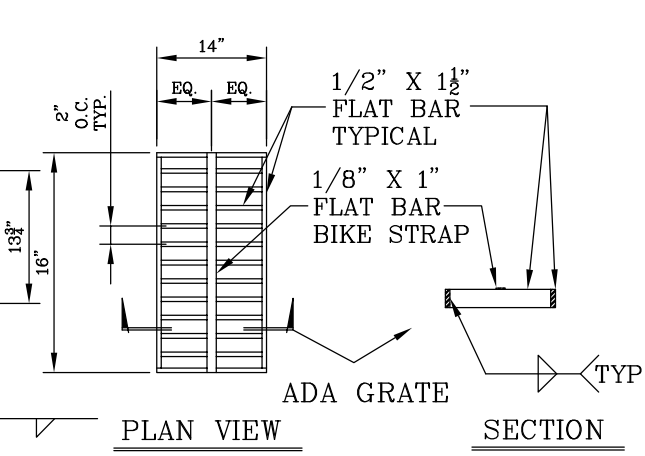
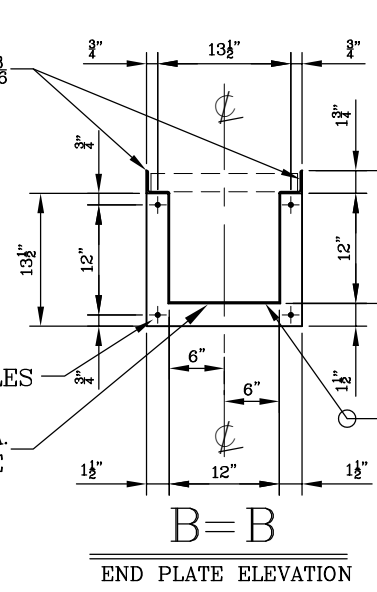
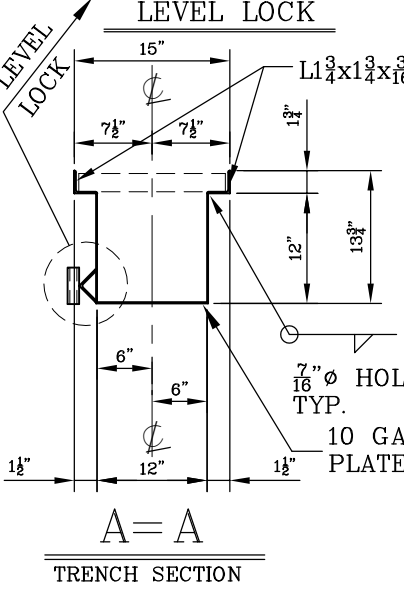


TYPICAL TRENCH DRAIN



TYPICAL TRENCH GRATE
 (5 TOTAL FOR EACH TRENCH)

12" WIDE x 12" DEEP		DWG # TD12
10 FOOT LONG FLAT TRENCH DRAIN		
MODEL: GTD-1212		
DATE: 11/19/2020	SCALE: NONE	

Gibson Steel Basins, Inc.

1040 Arrowsmith St. Eugene Or. 97402
 (541) 484-7200 or (800) 574-8096

Visit us at: www.gibsonsteelbasins.com
 Email us at: sales@gibsonsteelbasins.com

EST. 1996

CCB 150089