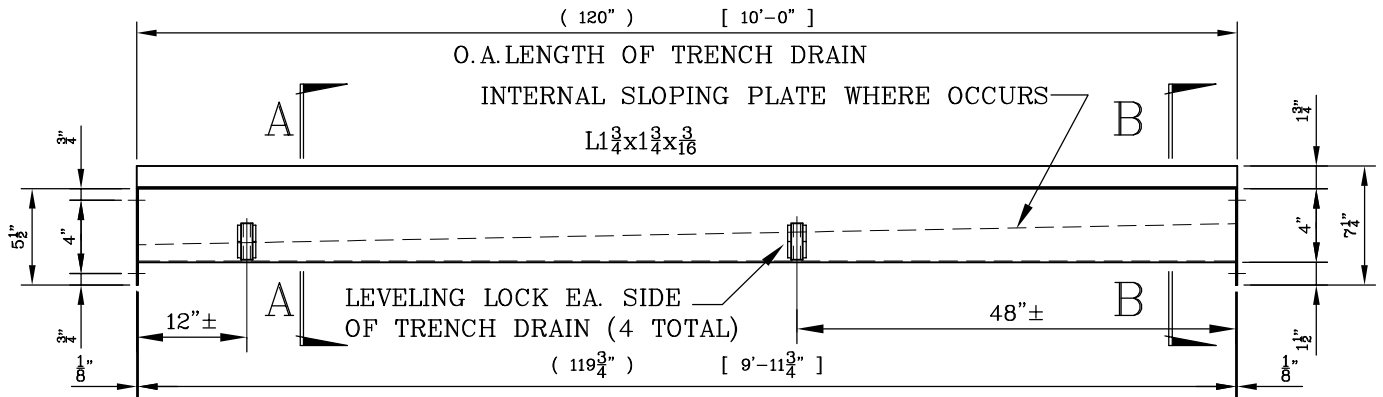
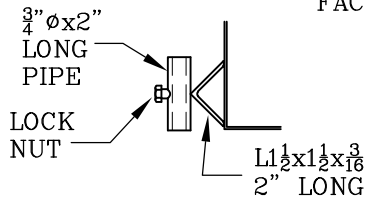


PLAN VIEW

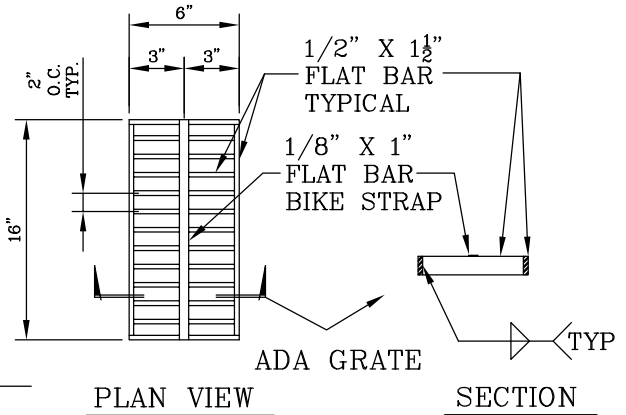
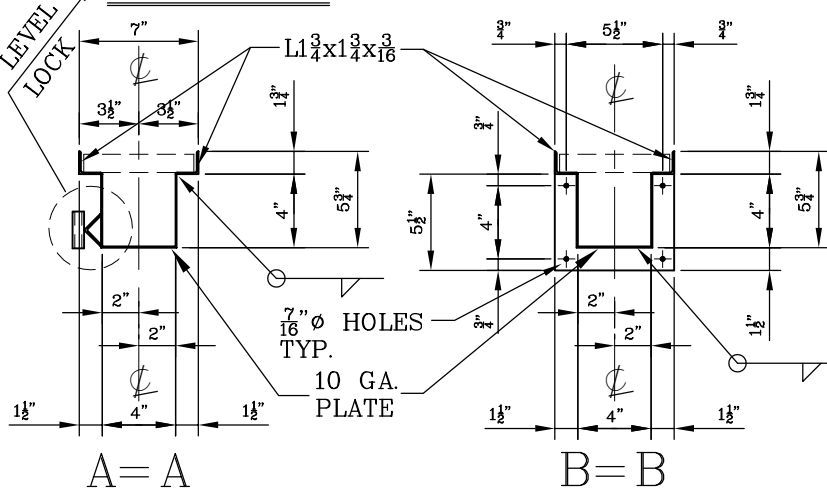


ELEVATION

TYPICAL TRENCH DRAIN



LEVEL LOCK



TYPICAL TRENCH GRATE

(5 TOTAL FOR EACH TRENCH)

4" WIDE x 4" DEEP
10 FOOT LONG FLAT TRENCH DRAIN

MODEL: GTD-44

DATE: 11/19/2020

SCALE: NONE

DWG #
TD4

Gibson Steel Basins, Inc.

1040 Arrowsmith St. Eugene Or. 97402
(541) 484-7200 or (800) 574-8096

Visit us at: www.gibsonsteelbasins.com
Email us at: sales@gibsonsteelbasins.com

EST. 1996

CCB 150089