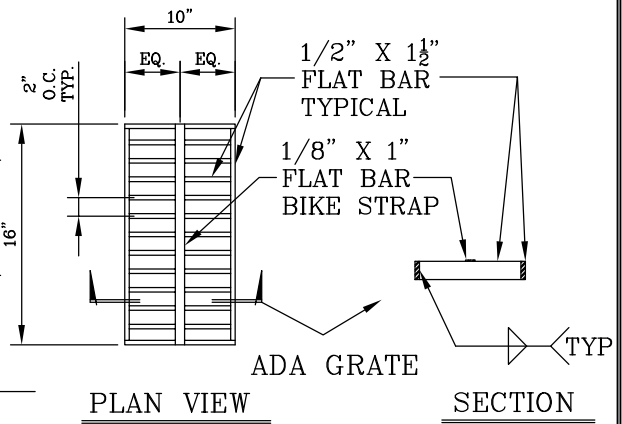
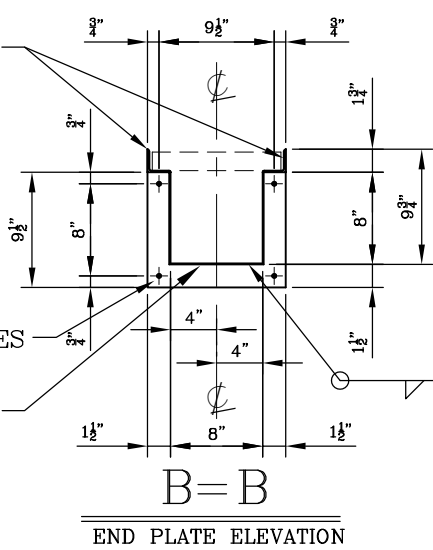
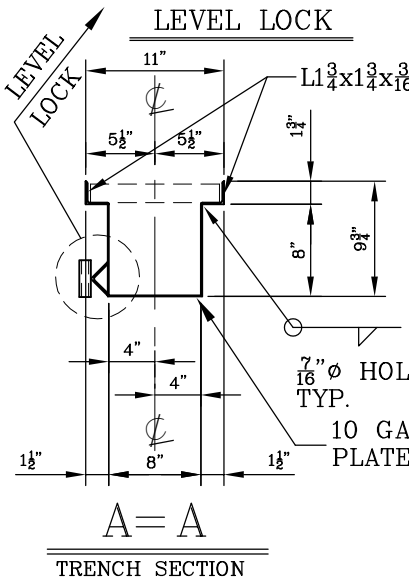


TYPICAL TRENCH DRAIN



TYPICAL TRENCH GRATE (5 TOTAL FOR EACH TRENCH)

8" WIDE x 8" DEEP		DWG # <b>TD8</b>
10 FOOT LONG FLAT TRENCH DRAIN		
MODEL: GTD-88		
DATE: 11/19/2020	SCALE: NONE	

Gibson Steel Basins, Inc.

1040 Arrowsmith St. Eugene Or. 97402  
(541) 484-7200 or (800) 574-8096

Visit us at: [www.gibsonsteelbasins.com](http://www.gibsonsteelbasins.com)  
Email us at: [sales@gibsonsteelbasins.com](mailto:sales@gibsonsteelbasins.com)

EST. 1996

CCB 150089