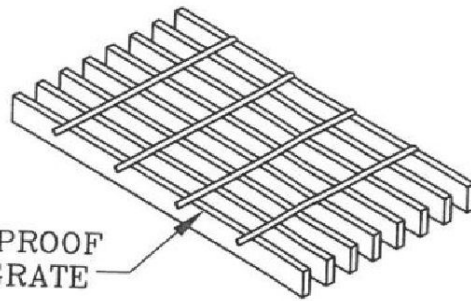


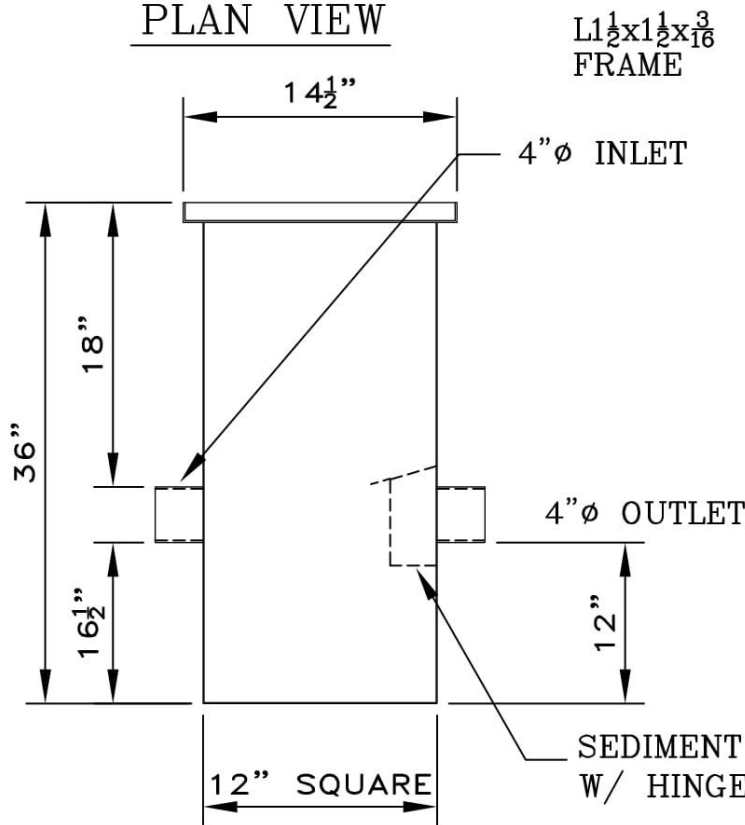
PLAN VIEW



GRATING

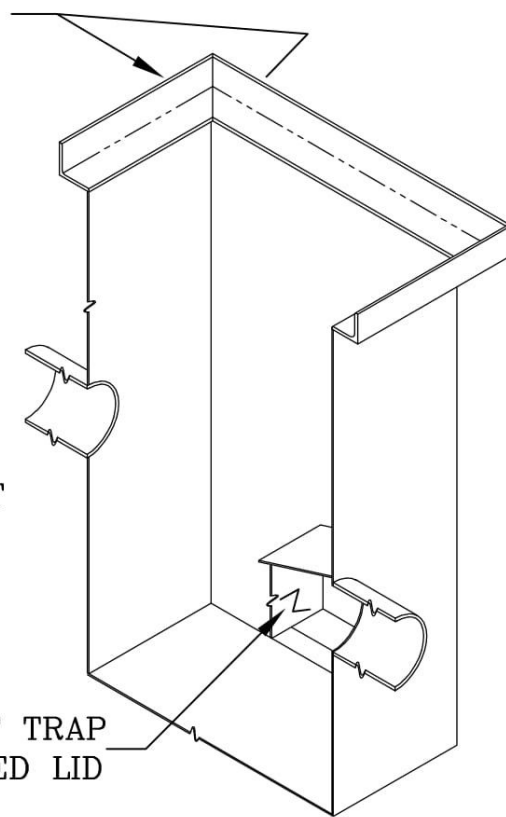
NOTES:

BOX FABRICATED FROM  
10 GA. MATERIAL



SIDE VIEW

L1 1/2 x 1 1/2 x 3/16  
FRAME



ISOMETRIC SECTION

STATE APPROVED — ASPHALT DIPPED

12" SQUARE — 4"  $\phi$  INLET & 4"  $\phi$  OUTLET

SILT TRAP BASIN

MODEL: GSTB10-1236HB-4-4

DATE: 11/19/2020

SCALE: NONE

DWG #

**L6**

**Gibson Steel Basins, Inc.**

1040 Arrowsmith St. Eugene Or. 97402  
(541) 484-7200 or (800) 574-8096

Visit us at: [www.gibsonsteelbasins.com](http://www.gibsonsteelbasins.com)  
Email us at: [sales@gibsonsteelbasins.com](mailto:sales@gibsonsteelbasins.com)

EST. 1996

CCB 150089