



Wood burning fires and stoves

2023



Lovers of the real wood fire

The name Dik Geurts has been synonymous with craftsmanship and design ever since the company was founded, and over the past 40 years it has become a household name in the fireplace world. Since 2007 Dik Geurts has been fully integrated in DRU Verwarming B.V., an innovative company that has guaranteed top quality for centuries.

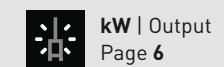
In addition to being designers, we at Dik Geurts are particularly fond of the real wood fire. In our factory in Duiven, The Netherlands, we work hard every day on the quality and ease of operation of our stoves and fires. With this brochure, we would like to show you how the combination of simplicity, experience and knowledge leads to beautiful fires and the most beautiful flames.



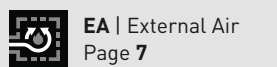
Scan the QR code and experience the passion of Dik Geurts wood fires.

ENVIRONMENT Wood firing and aeration	4
WOOD STOVE TECHNOLOGY Ingenious technology, simple to use	8
DESIGN FIRES 2-Sided, Front and Tunnel	10
WOOD AND MULTI-FUEL STOVES 3-Sided and Front	22
INSERT AND BUILT-IN FIRES 3-Sided, 2-Sided, Front (including fires with fan) and Tunnel	42
CENTRAL HEATING FIRES Front fireplaces	60
TECHNICAL DATA Dimensions, connection options and characteristics	62

Icons used



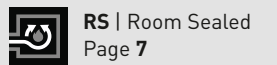
kW | Output
Page 6



EA | External Air
Page 7



IR | Infrared
Page 9



RS | Room Sealed
Page 7

Save on wood, fine dust and the environment

All wood burning stoves and fires in the Dik Geurts range have a particularly high efficiency. A higher temperature is reached in these closed and clever woodburners, and as a result combustion is much more complete and efficient. Even residual soot particles are fully burned, so you save on wood, emit less particulate matter and soot particles, and thus protect the environment.



Ready for the future with EcoDesign

As of 1 January 2022, European legislation sets requirements for the minimum required efficiency of a stove and the maximum allowed emission of particulate matter. All Dik Geurts fireplaces and stoves comply with this legislation and carry the EcoDesign 2022 label. Several Dik Geurts fires and stoves are also Defra approved. For the right purchase, choose an environmentally friendly Dik Geurts wood stove for now and in the future.



Climate neutral

In principle, heating with wood is CO₂ neutral. During the growth phase of a tree, CO₂ is absorbed from the air. When the tree is cut down and burned, the same amount of CO₂ is released into the atmosphere. In order to be able to remain climate neutral, sustainably sourced wood must be used. Therefore a new tree is planted for every tree that is cut down. This process ensures everything remains nicely in balance.

Energy label

The Dik Geurts wood burning stoves are provided with an energy efficiency label. The greener the label, the better it is for the environment. Our stoves are all in the A-class or better.



The right way to burn

The best setup

With the so-called 'Swiss method' you can burn wood safely and cleanly. At the bottom of the stove you should place large logs, on top of which you should put small pieces of wood, and on top of those, firelighters. Replenish the heating space when all that is left is a glow bed. Place a number of logs with the cleft side down in the fire box and open the air supply.

The right wood

The fuel must be sufficiently dry and suitable as firewood. Good firewood has a moisture percentage of 15%-20%. You should never burn waste wood such as chipboard or old railway sleepers, or treated wood. The combustion of waste or treated wood can produce toxic fumes. As well as being unsafe, this is also very harmful to the environment.



Scan the QR code for an explanation video about burning wood.

Fireplaces with outdoor air connection

Houses today are increasingly well insulated. To ensure that enough fresh air still enters the home, ventilation systems are often installed. It is therefore important to consider the supply air for combustion when choosing your fireplace. For instance, you can get the supply air from the setup room, but also from outside. To get the supply air for wood combustion from outside, it is important to equip a wood fire with an outside air connection. We distinguish between:



EA ('External Air', standard)

- used in neutral or overpressure situations
- with the EA kit, oxygen for combustion can come almost entirely from outside
- possible for all fireplaces



RS ('Room Sealed')

- used in low pressure situations in the living space
- oxygen for combustion comes entirely from outside
- Included with a large number of fireplaces

Modern homes choose RS

RS wood-burning fireplaces are often installed in modern, passive and gap-tight homes. Before delivery, these fireplaces are tested for leak-tightness and provided with a certificate. Optimally suited for a balanced indoor climate and optimum heating pleasure.



The right output

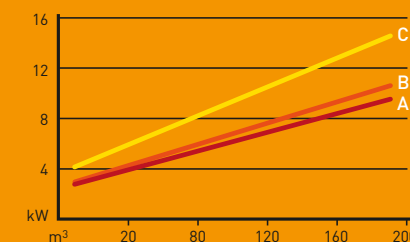
The output of a wood burning fire or stove must match the space you want to heat. If you have a fire with too much output, the room will soon become too hot. You will then not be able to let the fire burn to its full capacity and this can cause odour nuisance or extra pollution of the chimney. If the power is too low, you run the risk that the fire will not heat the room enough. This is especially annoying when the fire has an important function in the heating of your home. Dik Geurts offers a wide range of stoves and fires for larger and smaller rooms. Because Dik Geurts fires can also be fired at low power (4 kW), they are extremely suitable for use in spring or autumn.



kW (Output, indicated in kilo Watt).

Calculate output

Calculate the content of the space you want to heat (length x width x height). Next, it is important to make get an idea of the extent to which your house is insulated. For example, do you have double-glazing and wall and floor insulation everywhere? Then your home belongs to type A. Is your home not optimally insulated, without double-glazing in every window? Then your home belongs to type B. Is your home poorly insulated and with no double-glazing? Then your home belongs to type C. Knowing this you can see in the graph below what capacity (in kilowatts) is needed to heat your home.



Warm heart for Uganda

At Dik Geurts we care for the world around us, and human beings also deserve our attention. In our project 'A fireplace for you, a future for her', part of the proceeds from our fires is used to provide women in Uganda with a microcredit for a tree plantation.



Thoughtful
technique,
simple
to use



A Dik Geurts wood stove is not just a cabinet in which you can burn wood. It is a thoughtfully-designed device that ensures efficient and clean combustion at a high efficiency. Our fires and stoves have a closed combustion chamber (so no grate) that provides good insulation, and the flue gases that are released during combustion are led outside via an ingenious labyrinth.

Simple operation

Dik Geurts fires and stoves are easy to operate. They have a single lever to regulate the surprisingly sophisticated air supply. Thanks to this, Dik Geurts fires and stoves ignite very easily.

Infrared glass

At Dik Geurts we use infrared glass for a number of our fires and stoves to circulate the heat in the fire box. This gives a higher efficiency, retains the heat in the fire and as a result the glass stays clean much longer.



IR (Infrared)

Vermiculite

The combustion chambers of all Dik Geurts fires are insulated with heat-retaining natural vermiculite. For a nice contrast with the yellow flames, the vermiculite in the combustion chamber of our design fires is coloured dark anthracite.

Floor plates

For a complete set-up and extra protection of the floor, we offer round, rectangular and square floor plates. Finished in dark anthracite steel and available in different sizes.

A Dik Geurts wood stove always
has a high efficiency, low emissions
of CO and fine dust and ultimate
fire control. Guaranteed.

Simple operation: just one lever








Optional floor plate



Design fires

The eye-catcher
for every interior

A design fire gives your home character and can be the beating heart of any interior. The Dik Geurts design fires can seem to float in space and at the same time form a natural unity with the rest of the room.

Page 12	Page 14	Page 16	Page 18	Page 20
				
ODIN FRONT	ODIN TUNNEL	OVAL FRONT	OVAL TUNNEL	BORA CORNER
Base Fixed Plateau Wall	Base Fixed Plateau	Base Fixed Legs Plateau Wall	Base Fixed Legs Plateau	Cubes Fixed Floating Plateau Straight Plateau Wall

Odin

Function and design go hand in hand perfectly

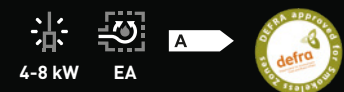
The unique, round design not only makes the Odin a real eye-catcher, but its shape also makes for a great flame picture.

- Faster warmth while environmentally friendly
- Unique round glass window
- Hanging, on a plateau/base or on the wall



Odin Front, Fixed

Efficiency 75,2%
WxDxH 606x380x606 mm



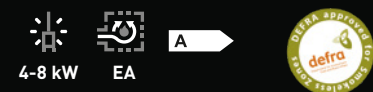
Odin Front, Wall

Efficiency 75,2%
WxDxH 606x415x606 mm



Odin Front, Base

Efficiency 75,2%
WxDxH 606x600x940 mm



Odin Front, Plateau

Efficiency 75,2%
WxDxH 1600x380x842 mm



Scan the QR code for a preview



Scan the QR code for a preview



Ultimate fire experience with two-way visibility and warmth

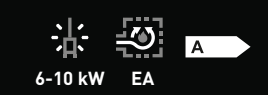
Odin Tunnel, Fixed

Efficiency 75,0%
WxDxH 606x400x606 mm



Odin Tunnel, Base

Efficiency 75,0%
WxDxH 606x600x940 mm



Odin Tunnel, Plateau

Efficiency 75,0%
WxDxH 1600x400x842 mm



Scan the QR code for a preview



Oval

The new style of heating

Typical Dik Geurts is this design fireplace with its oval shape. The various placement options make the Oval suitable for any interior.

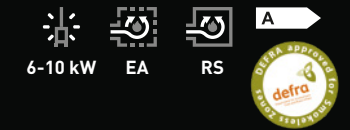
- Beautiful fire view due to oval shape
- Unique air slide for easy control of flame intensity
- Wall-mounted, free hanging from the ceiling or standing on a plateau, robust base or legs



Scan the QR code for a preview

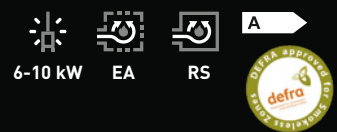
Oval Front, Legs

Efficiency 75,9%
W x D x H 980x474x926 mm



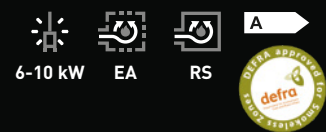
Oval Front, Base

Efficiency 75,9%
W x D x H 980x380x944 mm



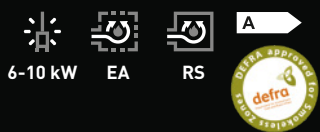
Oval Front, Fixed

Efficiency 75,9%
W x D x H 980x380x606 mm



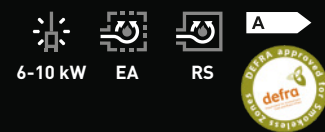
Oval Front, Plateau

Efficiency 75,9%
W x D x H 2000x380x838 mm



Oval Front, Wall

Efficiency 75,9%
W x D x H 980x380x606 mm





Unique design
and a beautiful fire
from two sides

Oval Tunnel, Base

Efficiency 81,5%
W x D x H 980x380x944 mm

Oval Tunnel, Plateau

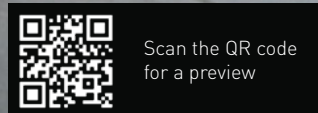
Efficiency 81,5%
W x D x H 2000x380x838 mm

Oval Tunnel, Legs

Efficiency 81,5%
W x D x H 980x474x926 mm

Oval Tunnel, Fixed

Efficiency 81,5%
W x D x H 980x380x606 mm



Bora Corner

Robust cube with double-sided fire view

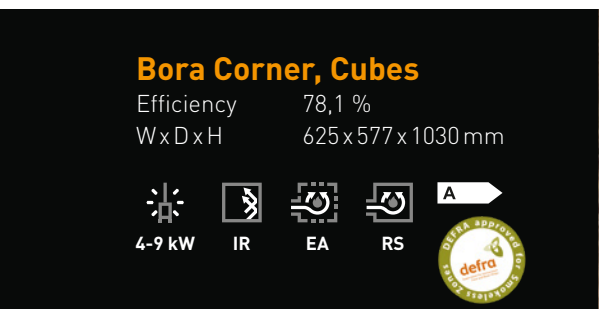
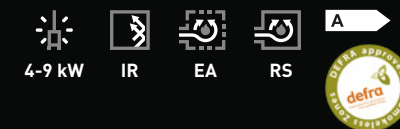
The two-sided glass window of the Bora Corner design fires gives a beautiful fire view. Hanging in the room or standing on a plateau, the Bora provides warmth and atmosphere throughout the area.

- Choose a left or right version
- Design fireplace for any position in the house
- Wide output range, optimally adjustable



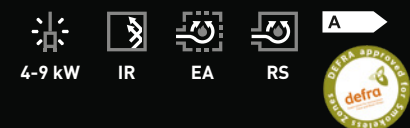
Bora Corner, Fixed

Efficiency 78,1 %
WxDxH 505x410x510 mm



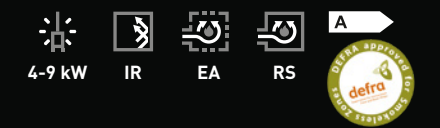
Bora Corner, Cubes

Efficiency 78,1 %
WxDxH 625x577x1030 mm



Bora Corner, Floating Plateau

Efficiency 78,1 %
WxDxH 1200x450x829 mm





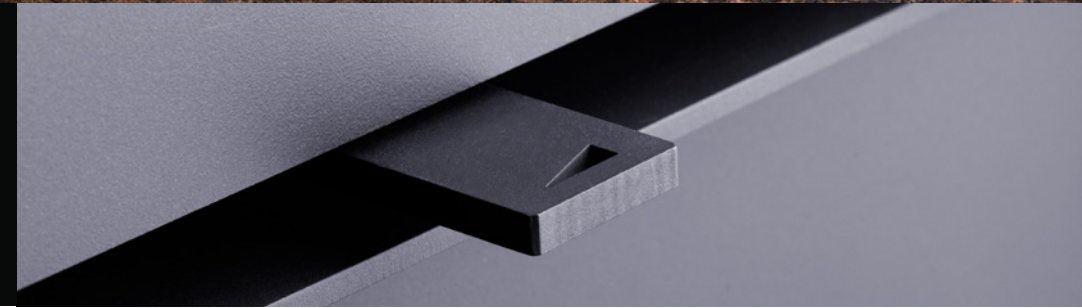


Scan the QR code for a preview

Bora Corner, Straight Plateau

Efficiency 78,1 %
WxDxH 1500x450x879 mm

4-9 kW IR EA RS  





Plateau for wood storage is available in different sizes

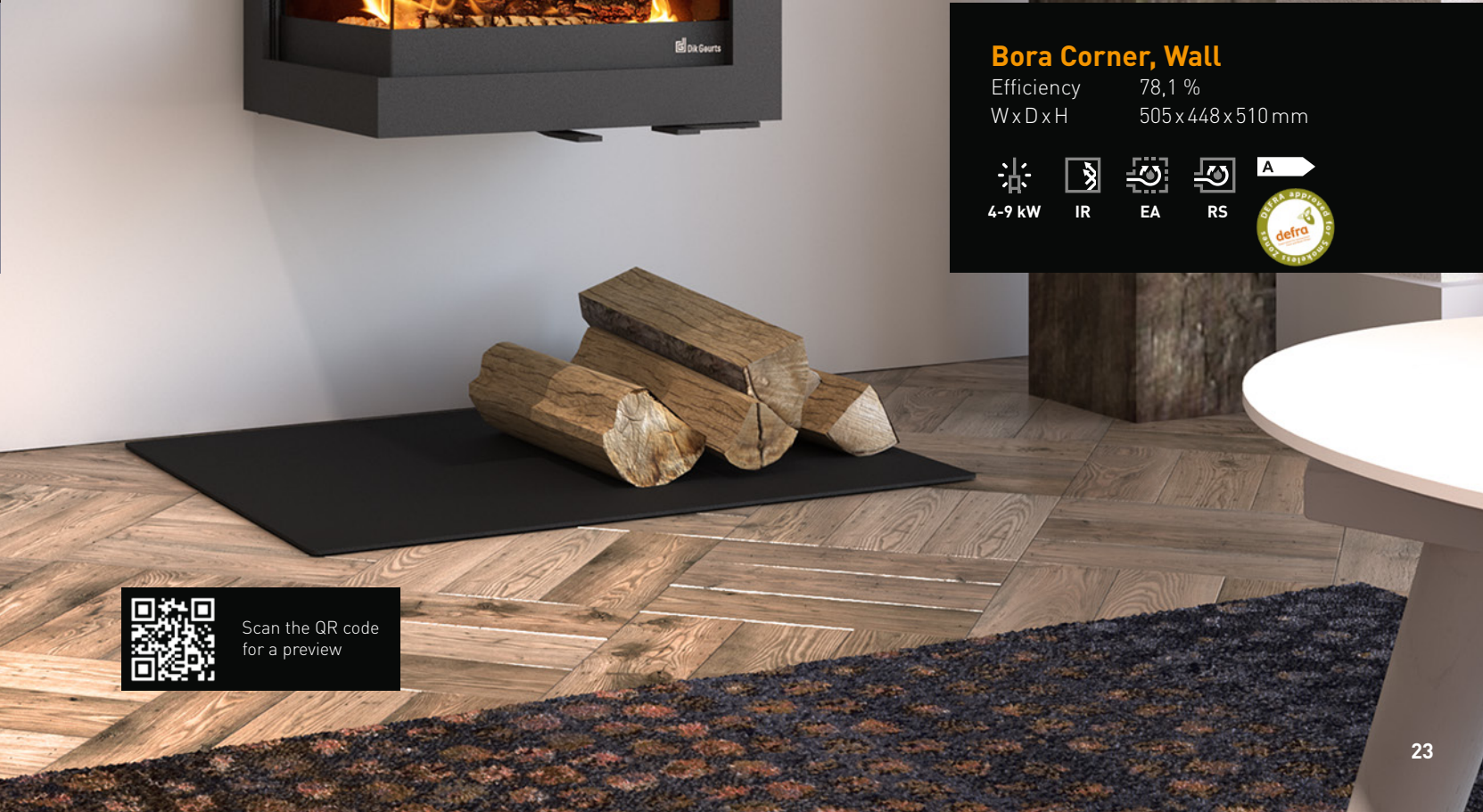


Scan the QR code for a preview

Bora Corner, Wall

Efficiency 78,1 %
WxDxH 505x448x510 mm

4-9 kW IR EA RS  




Wood and multi-fuel stoves

Highlight of atmosphere and warmth

A long gaze into dancing flames, the cosy sound of a real crackling fire and the warmth from a natural source. With a Dik Geurts wood fire you bring the old-fashioned cosiness of a campfire to your living room.

Page 26



VIDAR
Triple Wall

Page 28




KALLE

Page 29



FOLKE

Page 30



MODIVAR 5
Store Front
Store Corner
Floating Plateau
Straight Plateau

Page 32



SOREN 5

Page 32




ASTE 5

Page 33




LARS
1000

Page 34



IVAR
5, Low
5, High
5, Store
8, Low
8, Store

Page 40



JANNIK
Medium, Low
Medium, High
Large

Vidar

Great flame picture and very high efficiency

The Vidar stoves are equipped with heat-reflecting infrared glass that provides a remarkably high efficiency of 88% and clean windows during firing. Combine that with a huge window surface and you are guaranteed to have a great view of the flames.

- High efficiency stove (88%)
- Heat reflective infrared (IR) glass
- Thanks to wide output range also suitable for smaller living rooms

Vidar Triple

Efficiency 88,0%
WxDxH 662x410x850 mm



Scan the QR code for a preview

Vidar Wall

Efficiency 88,0%
WxDxH 662 x 430 x 535 mm



Scan the QR code for a preview

Kalle

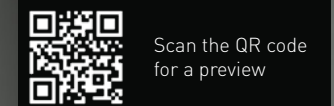
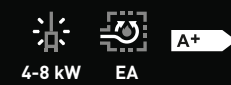
Extra large windows for optimum fire view

The Kalle is an industrial wood burning stove with a handy wood compartment under the fire box. The three large windows provide a magnificent view of the flames.

- Tight freestanding wood burning stove with wood storage
- Fire view from three sides
- Economical in use due to very high efficiency (85%)



Kalle
Efficiency 85,0%
WxDxH 546x415x1000 mm



Folke



Folke
Efficiency 77,3%
WxDxH 476 x 410 x 1000 mm



Thanks to the Folke's three-sided fire view, you can enjoy the lively flames even more. The wood compartment underneath the fire box gives this stove a rustic and atmospheric look, even when the stove is not burning.

- Unique air slide
- Heat reflective (infrared) side windows
- Suitable for mechanically ventilated and passive houses

Atmospheric, even when the stove is not burning

Modivar 5

Tight shapes and ultimate fire control

Thanks to their sleek shapes and dark steel, Modivar stoves are ideal for a modern interior. If you are looking for something really special then a floating plateau is worth it.

- Ultimate fire control thanks to simple air slide
- Integrated door handle
- Choice of wood compartments and plateaus

Modivar 5, Floating Plateau

Efficiency 82,0%
WxDxH 1200x450x857 mm



Modivar 5, Straight Plateau

Efficiency 82,0%
WxDxH 1500x450x907 mm



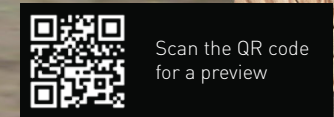
Modivar 5, Store Front

Efficiency 82,0%
WxDxH 450x368x1000 mm



Modivar 5, Store Corner

Efficiency 82,0%
WxDxH 450x368x1000 mm



Aste 5 & Soren 5

Woodburning stove with rural countryside look

The Aste 5 and Soren 5 have a sturdy appearance with crisp lines and plenty of fire visibility. It is easy to install in an existing situation. The cast-iron door and the classic legs give the stove a robust appearance.

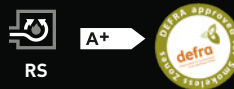
- Ideal for placing in an existing fireplace
- Chimney connection only 10 cm from the back
- Stylish door handle



Aste 5
 Efficiency 82,0%
 WxDxH 486 x 350 x 555 mm
 Available with multi-fuel kit.



Scan the QR code for a preview



Lars 1000



Scan the QR code for a preview

Soren 5
 Efficiency 82,0%
 WxDxH 450 x 350 x 570 mm
 Available with multi-fuel kit.



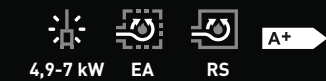
Scan the QR code for a preview

Atmosphere, heat and slow-cooking

Above the glass window of the Lars 1000 wood burning stove there is a room that can be used as an oven. This stove offers atmosphere, warmth and also the possibility to prepare simple dishes.

- Unique oven at the top of the stove
- High efficiency
- Low particulate emissions thanks to high-quality combustion

Lars 1000
 Efficiency 82,0%
 WxDxH 448 x 348 x 1000 mm



Ivar 5

Versatile source of atmosphere for the real enthusiast

The Ivar series is recognisable by the sleek cast iron door that offers a full view of the flames. Ivar stoves combine a compact and stylish appearance with the technically advanced combustion process for which Dik Geurts is known.

- Removable 'cold' handle
- Suitable for installation in existing spaces
- Wide output range & extremely low emissions



Ivar 5, Low
Efficiency 82,0%
W x D x H 450 x 350 x 555 mm
Available with multi-fuel kit.

4,9-7 kW EA RS A+ 



Ivar 5, High

Efficiency 82,0%
 WxDxH 450x350x660 mm
 Available with multi-fuel kit.

4,9-7 kW EA RS A+



Ivar 5, Store

Efficiency 82,0%
 WxDxH 450 x 350 x 850 mm
 Available with multi-fuel kit.

4,9-7 kW EA RS A+



Cast iron door with
 removable handle

Ivar 8



Scan the QR code for a preview

Ivar 8, Low

Efficiency 76,6%
WxDxH 540x350x555 mm
Available with multi-fuel kit.



Ivar 8, Store

Efficiency 76,6%
WxDxH 540 x 350 x 850 mm
Available with multi-fuel kit.



Large glass window with wide view of the fire



Scan the QR code for a preview

Jannik

Strikingly beautiful details, typically Dik Geurts

With the stoves in the Jannik series you recognise the robust details that are typical for the designs of Dik Geurts. Clean lines, sturdy hinges and a unique, slim handle. This handle provides easy access to the inside of the stove.

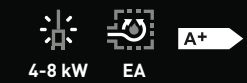
- Unique handle
- Wide power range
- Economical firing due to high efficiency of 87%



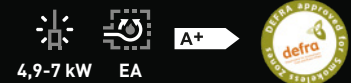
Jannik Medium, High
Efficiency 82,0%
WxDxH 550x375x900mm



Jannik Large
Efficiency 87,0%
WxDxH 620x380x780 mm



Jannik Medium, Low
Efficiency 82,0%
WxDxH 550x375x680mm



Inserts and built-in fires

The solution for renovation and new construction

Inserts are designed for installation in an existing situation. When converting or renovating, an old fire can be replaced easily by a modern and environmentally friendly fire with a higher output. Built-in fires are placed predominantly in new situations.

<p>Page 46</p>  <p>INSTYLE (3-Sided) Triple 660 Low</p>	<p>Page 47</p>  <p>INSTYLE (Tunnel) Tunnel 700</p>	<p>Page 47</p>  <p>PROSTYLE (Tunnel) Tunnel 700</p>	<p>Page 48</p>  <p>INSTYLE (2-Sided) Corner 660 High Corner 660 Low Corner Slim 660/495 Corner Slim 660/570</p>
<p>Page 52</p>  <p>INSTYLE (Front) 500 550 600 650 700 800 1000</p>	<p>Page 54</p>  <p>PROSTYLE (Front) 500 550 600 650 700 800 1000</p>	<p>Page 56</p>  <p>INSTYLE (Front, fan) 600V Next 700V Next 800V Next</p>	

Instyle & Prostyle

Inserts and built-in fires for every interior

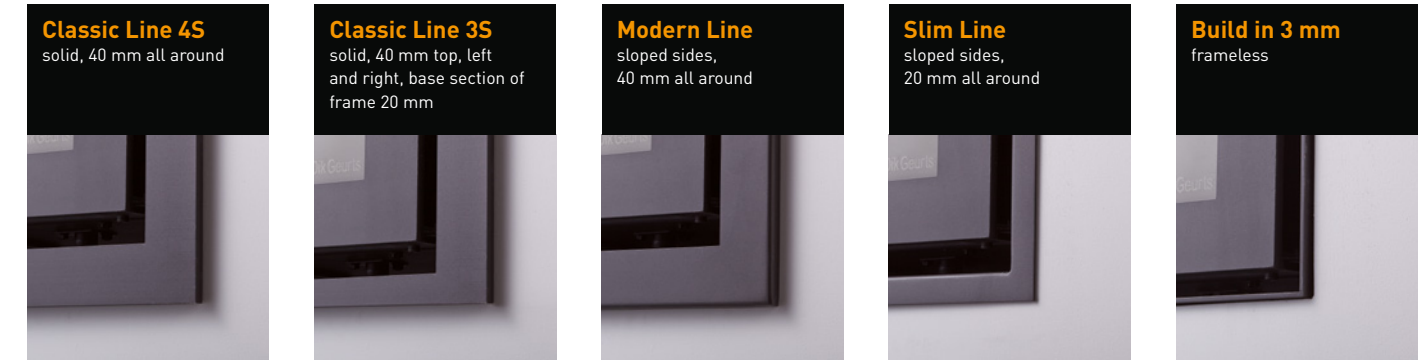
Dik Geurts has a wide range of inserts and built-in fires. Tunnel fires, 3-sided fires, fires with an extra large glass window and different kinds of frames; we have a suitable fire for every interior.

The Instyle fires have a completely clear glass window. The Prostyle range with screen-printed glass are made for an even more beautiful view of the fire.



Frames for front and tunnel fires

Instyle and Prostyle 500, 550, 600, 650, 700, 800, 1000, Tunnel

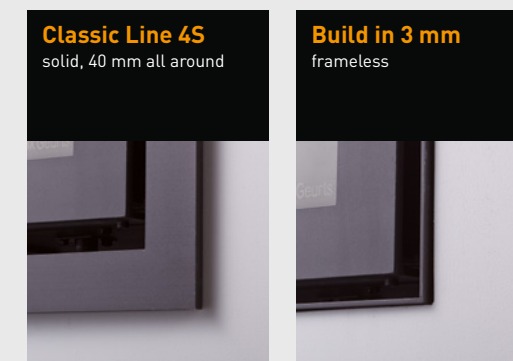


Frame type	Instyle/Prostyle							
		500	550	600	650	700-Tunnel ¹⁾	800	1000
Classic Line 4S	WxH	580 x 537	587 x 617	660 x 537	710 x 552	760 x 657	860 x 637	1060 x 637
Classic Line 3S	WxH	580 x 517	n/a	660 x 517	710 x 532	n/a	n/a	n/a
Modern Line	WxH	580 x 537	587 x 617	660 x 537	710 x 552	760 x 657	860 x 637	1060 x 637
Slim Line	WxH	540 x 497	547 x 577	620 x 497	670 x 512	720 x 617	820 x 597	1020 x 597
Build in 3 mm	WxH	600 x 557	607 x 637	680 x 557	730 x 572	780 x 677	880 x 657	1080 x 657
Build in 8 mm	WxH	n/a	n/a	600x477	650x492	700x597	n/a	n/a

¹⁾ Frames on the Tunnel can be combined.

Frame for fires with fans

Instyle 600V Next, 700V Next, 800V Next



Custom-made solutions

The Dik Geurts product options are extensive. Yet it may be that nothing fits. But, there is a solution! We can produce a custom-made frame for you at a small additional charge.

Custom-made frames

Instyle/Prostyle Front 500-1000 range, Tunnel 700, Instyle V Next range.

- Solid frames Classic Line 4S
- Width 12-100 mm

Frame type	Instyle			
		600V Next	700V Next	800V Next
Classic Line 4S	WxH	640 x 547	740 x 667	840 x 647
Build in 3 mm	WxH	566 x 473	666 x 593	766 x 573



Instyle
Clear glass window



Prostyle
Black screen-printed glass

Triple

Three sided glass and three sided fire

To ensure the highest possible efficiency, this insert is fitted with side windows with heat-reflecting infrared glass. This fire is only 49.5 cm high and therefore ideal for installation in most existing fireplaces.

- High efficiency and clean windows
- Subtle corner bars for better fire vision
- Suitable for installation in existing situation

Instyle Triple 660 Low

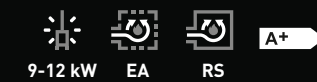
Efficiency 88,0%
WxDxH 662x380x495 mm



Tunnel

Instyle Tunnel 700

Efficiency 83,0%
WxDxH 760x550x657 mm



The see-through Instyle Tunnel 700 fire has a hinged glass door on two sides. Thanks to its high output, this fire is ideal as a room divider in larger rooms.

- Beautiful see-through tunnel
- High output up to 12 kW
- In RS version almost completely airtight

Splendid fire from two sides

Prostyle Tunnel 700

Efficiency 83,0%
WxDxH 760x554x657 mm



Corner

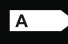

Unique panoramic fire view

These two-sided wood stoves are characterised by their panoramic fire view. The glass panes are placed against one another in the corner. This continuous glass window, without a metal corner post between the two panes, provides a full view of the fire.

- Optimal view of the fire
- High efficiency
- Perfect for an existing chimney or new construction
- Optional build in frame



Instyle Corner Slim 660/495
 Efficiency 75,2%
 WxDxH 660x350x495mm

4-10 kW EA RS  

Instyle Corner Slim 660/570

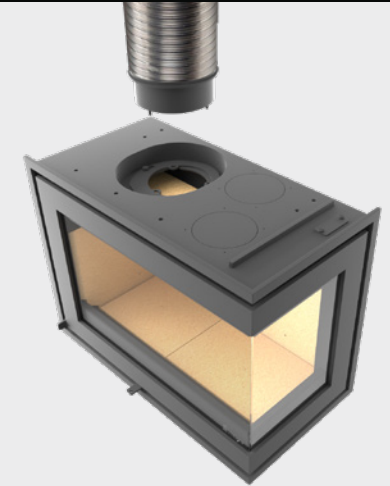
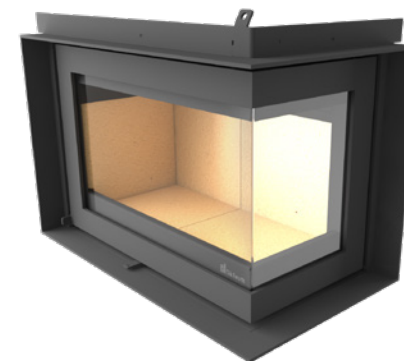
Rendement 80,0%
 BxDxH 660x350x570mm

5-10 kW EA RS  



Optional build in frame 6S

- For a seamless finish to the fireplace assembly
- Very suitable for installation in an existing fireplace
- Width 6 cm (working width 5 cm)
- Solid frame, thickness 6 mm



SlideConnect®

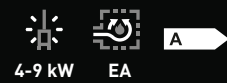
[only at Instyle Corner Slim 660/495]

- Easy connection to an existing or new flue
- Rotatable ring with 4 cm extra working space
- A major advantage, especially in existing situations

Spacious
insert
with wide
fire view

Instyle Corner 660 High

Efficiency 76,3%
WxDxH 660x350x520 mm



4-9 kW

EA

Instyle Corner 660 Low

Efficiency 76,3%
WxDxH 660x350x495 mm



4-9 kW

EA



Front



Instyle 550

The Instyle/Prostyle series consists of a number of models with different sizes, all using the same modern Dik Geurts techniques. With an Instyle you are assured of optimal enjoyment of a quality fire.

- Environmentally conscious enjoyment of fire
- Multi-purpose insert and built-in fires
- Different styles of detachable frames
- Choice of different frame types

Specially designed for existing situations

<p>Instyle 500 </p> <p>Efficiency 82,0%</p> <p>WxDxH 580x350x537mm</p>	<p>Instyle 550 </p> <p>Efficiency 81,0%</p> <p>WxDxH 587x350x617mm</p>	<p>Instyle 600 </p> <p>Efficiency 79,6%</p> <p>WxDxH 660x360x537mm</p>	<p>Instyle 650 </p> <p>Efficiency 80,5%</p> <p>WxDxH 710x380x552mm</p>
<p>  </p> <p>3-7 kW EA A+</p>	<p>  </p> <p>3-7 kW EA A+</p>	<p>  </p> <p>3-7 kW EA A</p>	<p>  </p> <p>3-9 kW EA A</p>
			
<p>Instyle 700 </p> <p>Efficiency 81,6%</p> <p>WxDxH 760x400x657mm</p>	<p>Instyle 800 </p> <p>Efficiency 76,6%</p> <p>WxDxH 860x400x637mm</p>	<p>Instyle 1000 </p> <p>Efficiency 77,7%</p> <p>WxDxH 1060x400x637mm</p>	
<p>  </p> <p>6-12 kW EA A+</p>	<p>  </p> <p>8-12 kW EA A</p>	<p>  </p> <p>9-13 kW EA A</p>	
			

Front

Beautiful fire view thanks to black screen-printed glass

Prostyle 500 Efficiency 82,0% WxDxH 580x344x537 mm	Prostyle 550 Efficiency 81,0% WxDxH 587x344x617 mm	Prostyle 600 Efficiency 79,6% WxDxH 660x354x537 mm	Prostyle 650 Efficiency 80,5% WxDxH 710x374x552 mm
Prostyle 700 Efficiency 81,6% WxDxH 760x394x657 mm	Prostyle 800 Efficiency 76,6% WxDxH 860x394x637 mm	Prostyle 1000 Efficiency 77,7% WxDxH 1060x394x637 mm	

Prostyle 1000



Ventilated



Instyle 700V Next

Fire insert with ventilating fan

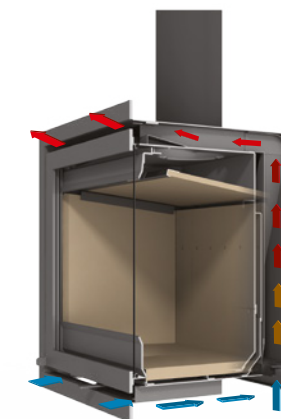
These ventilated inserts are equipped with a ventilating fan, which heats a room faster. When switched on, a pleasant, warm airflow can be felt from the front of the fire or through the convection openings.

Why Instyle V Next?

- Rapid heat distribution
- Impressive fire view
- Simple operation
- An efficient replacement for old fireplaces

How does it work?

A special adapter gives you full control of the fan. There are four speeds for gradual to rapid heating. And, thanks to a smart control sensor, the fan automatically adjusts to the desired temperature.



More information?
Watch the Instyle V
Next video.

Instyle 600V Next

Efficiency 79,6%
WxDxH 580x410x495mm



Instyle 700V Next

Efficiency 81,6%
WxDxH 680x450x615mm



Instyle 800V Next

Efficiency 76,6%
WxDxH 780x450x595mm



Easy installation

The various connection options ensure that the stove is quick and easy to install, regardless of the installation situation. There are three options for flue gas extraction.

1. Connection without drain material to an existing chimney flue (**sealing with ceramic wool**)
2. Connection with flexible or fixed pipe (**Liner Kit Pro**), Ø 150 or 180 mm
3. Connection with rejuvenated pipe (**connection piece**), Ø 150 or 180 mm

External air kit

Kit for supply of fresh air from outside.

- Ideal for fully insulated houses
- Optional at 500
- 1000V, 600V, Tunnel (only base)
- For rear and base connection
- Dimensions: Ø 80 mm



Linerkit Pro

Connection piece for flexible or rigid pipe.

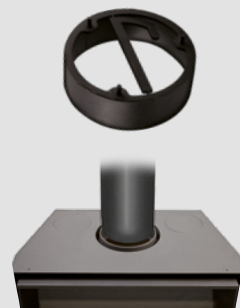
- Optional with: 500 - 1000, 600V, Corner, Triple, Tunnel
- Connectable from the inside of the fire
- Reducer with 3 screw holes
- Dimensions: Ø 150 mm, Ø 180 mm



Connection piece

Connection piece for rejuvenated pipe.

- Optional at: 500 - 1000, 600V, Corner, Triple, Tunnel
- Reducer with 3 screw holes
- Dimensions: Ø 150 mm, Ø 180 mm



Convection kit

Connecting rings (2 pieces) for mounting on the convection holes.

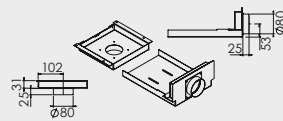
- Optional with: 500 - 1000, 600V, Corner Slim, Tunnel
- For more heating power
- Dimensions: Ø 125 mm



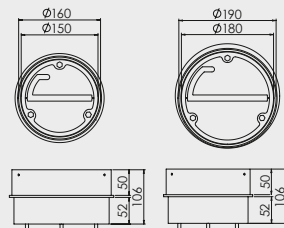
INSERT-/BUILT-IN FIRES CONNECTION OPTIONS

Instyle / Prostyle

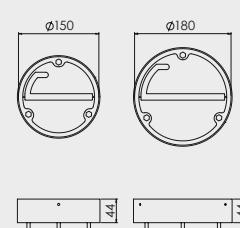
External air kit



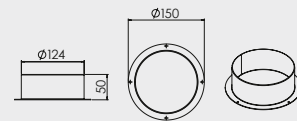
Linerkit Pro



Connection piece



Convection kit



Easy air control

- At the front of the fire
- Both Instyle and Prostyle finishes

Door lock

- Stable and flexible door closure
- The cord ensures a good seal
- The door is adjustable and exchangeable
- Kit for self-closing door optional for Instyle 500-1000 series and Instyle Tunnel



Central heating fires

Sustainable and energy-conscious wood burning

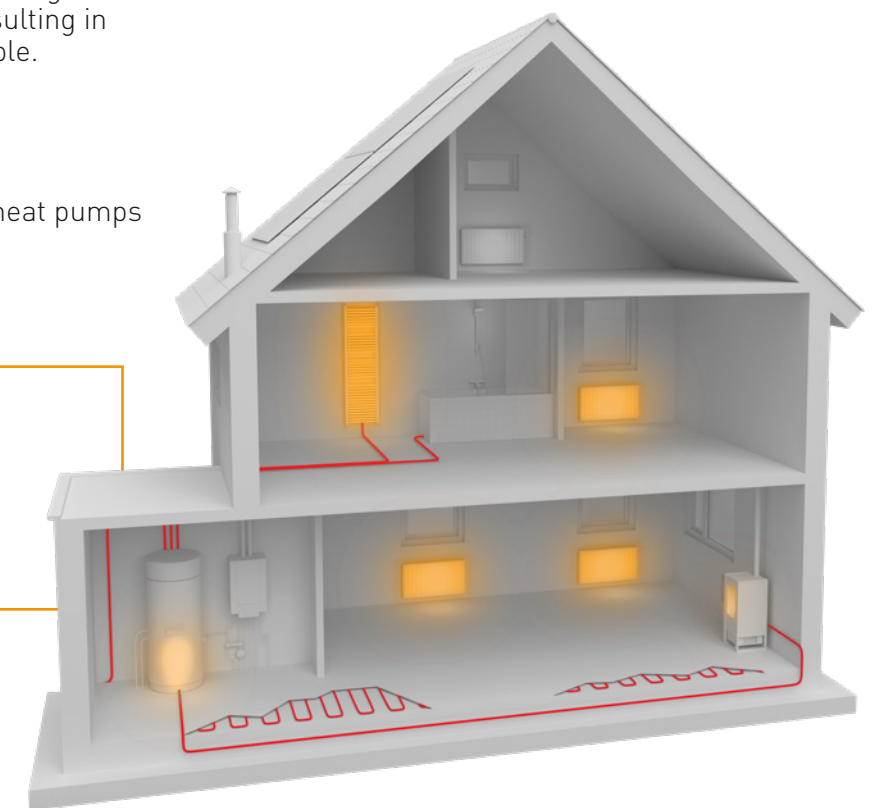
Green Design stands for sustainable, environmentally friendly and energy-conscious heating of fires and stoves connected to a central heating system.

Dik Geurts also supplies fires that you can connect to a central heating system, an environmentally friendly alternative way to heat your home. With these fires the hot flue gases are used to heat the water for your central heating system. Doing this means you get more efficiency from your fire or stove, resulting in a lower energy bill – and it's also sustainable.

- Environmentally friendly heating
- Durable/lower energy usage
- Suitable for any type of home
- Can be combined with solar panels and heat pumps
- Lower energy bill
- Maintenance friendly

More info

If you want to know more about Green Design or the operation of central heating fireplaces, visit www.greendesign.eu.



IVAR 10 H₂O, STORE

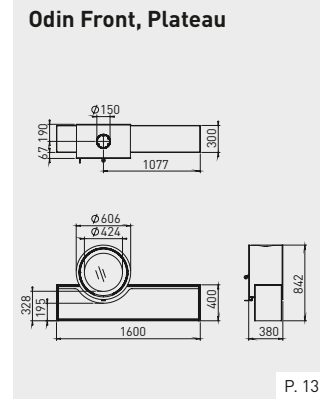
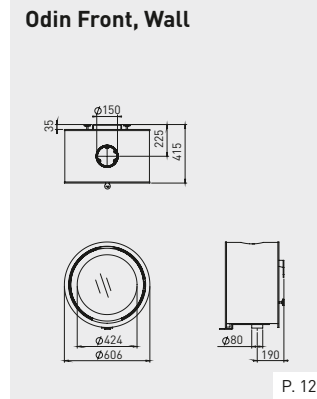
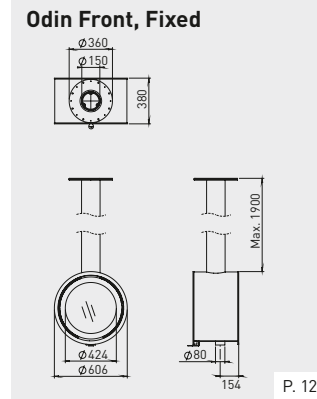
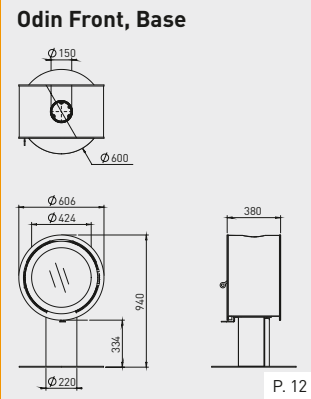


STORE H₂O

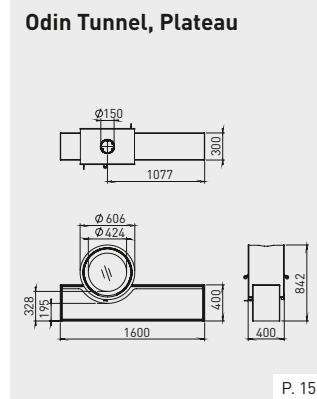
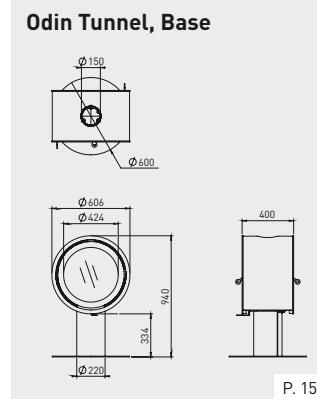
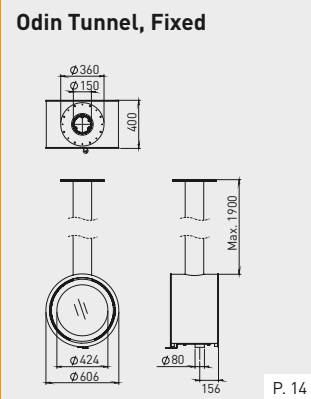
Technical drawings

DESIGN FIRES

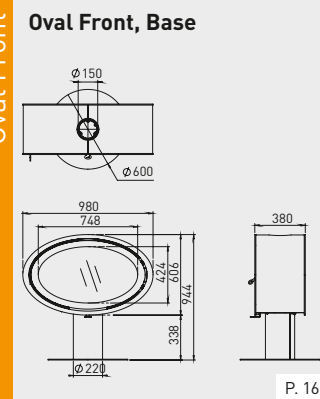
Odin Front



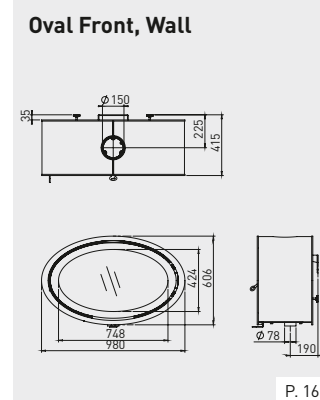
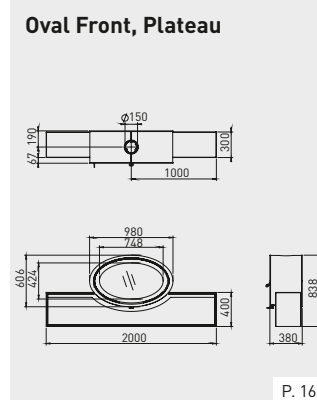
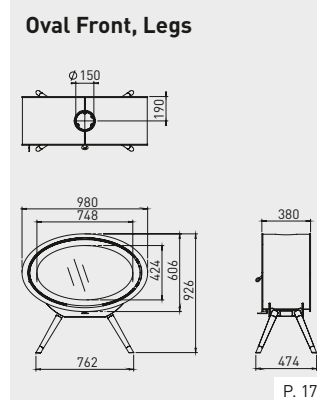
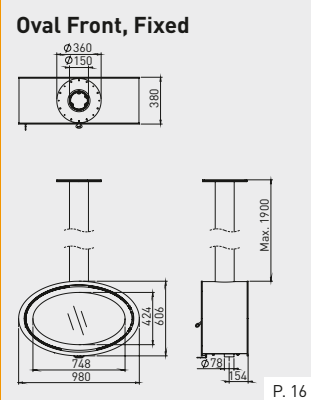
Odin Tunnel



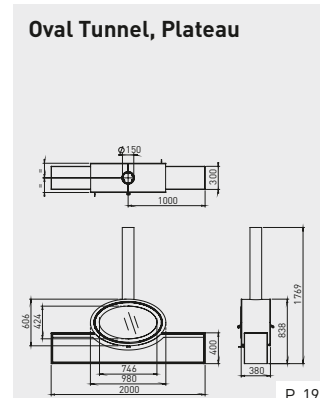
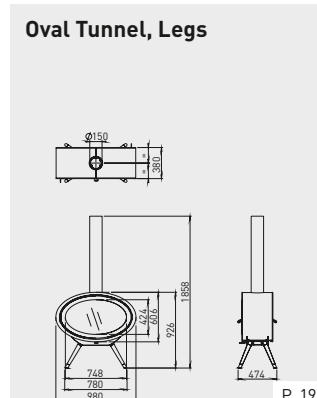
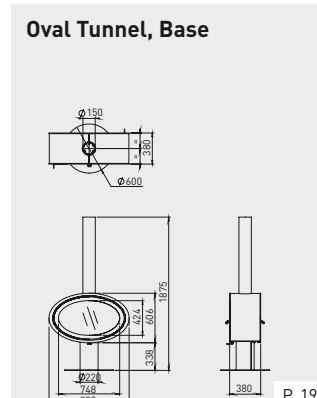
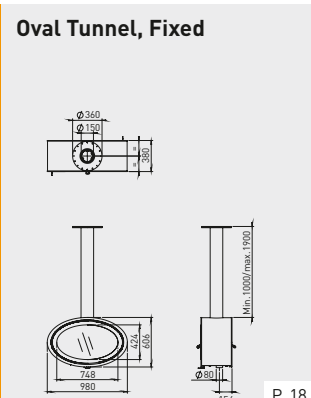
Oval Front



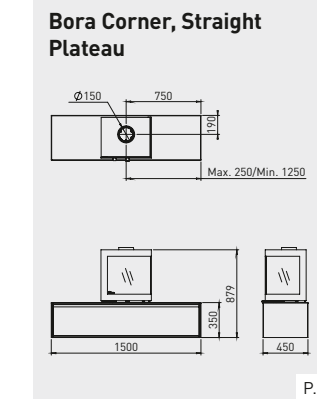
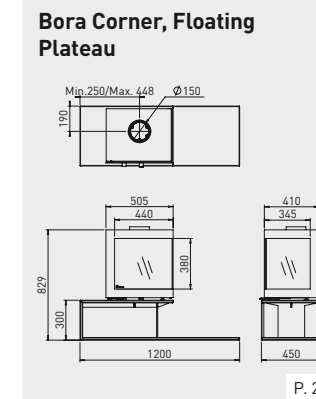
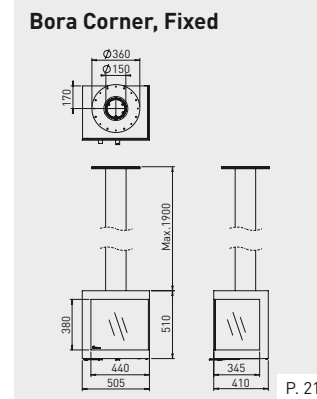
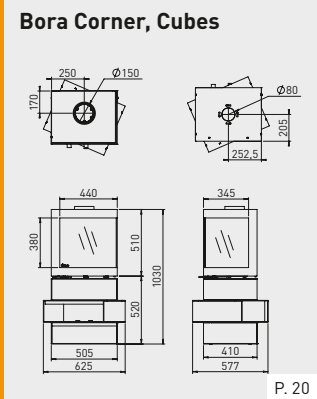
Oval Front



Oval Tunnel

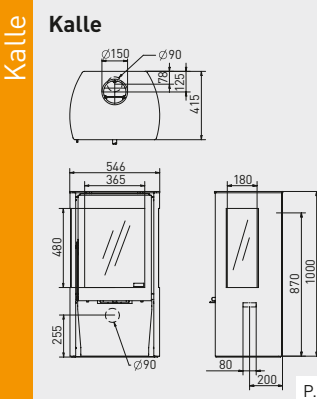
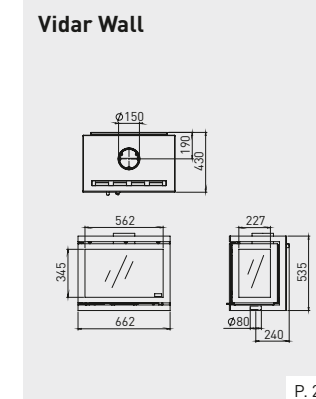
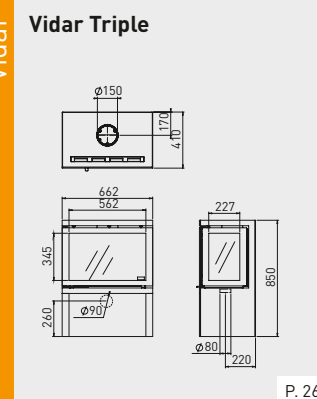
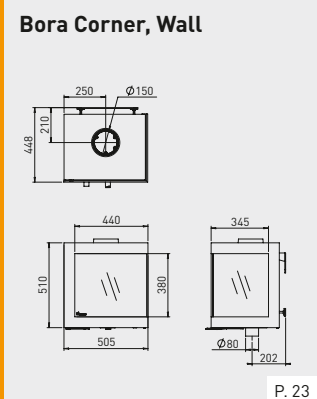


Bora Corner

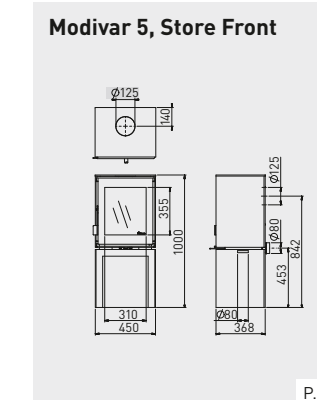
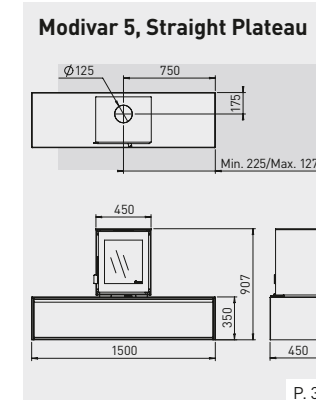
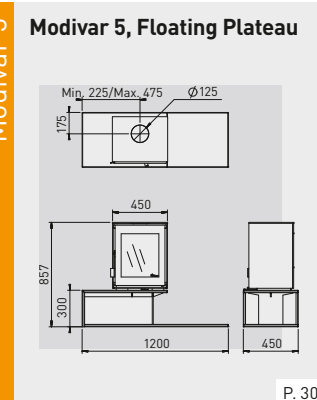
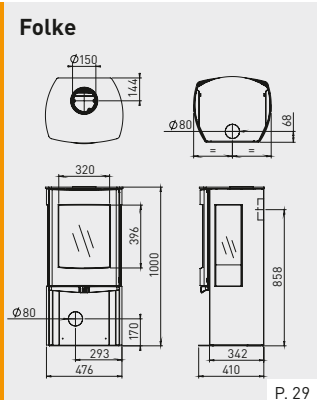


WOOD AND MULTI-FUEL STOVES

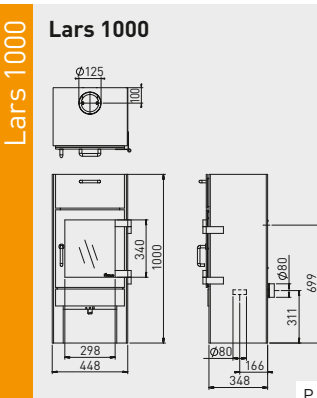
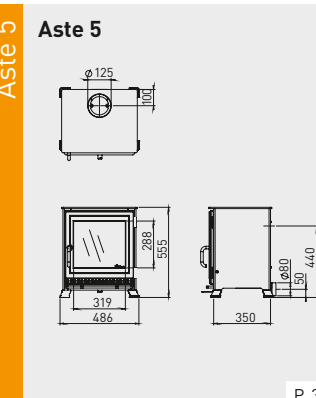
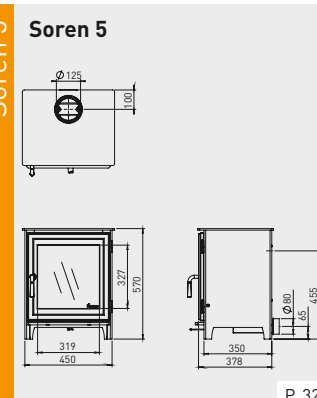
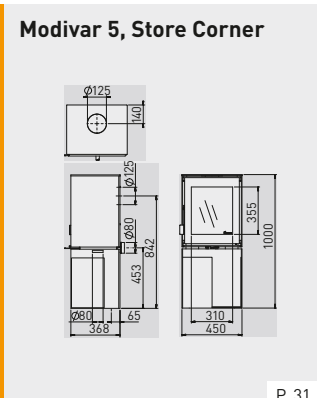
Bora Corner

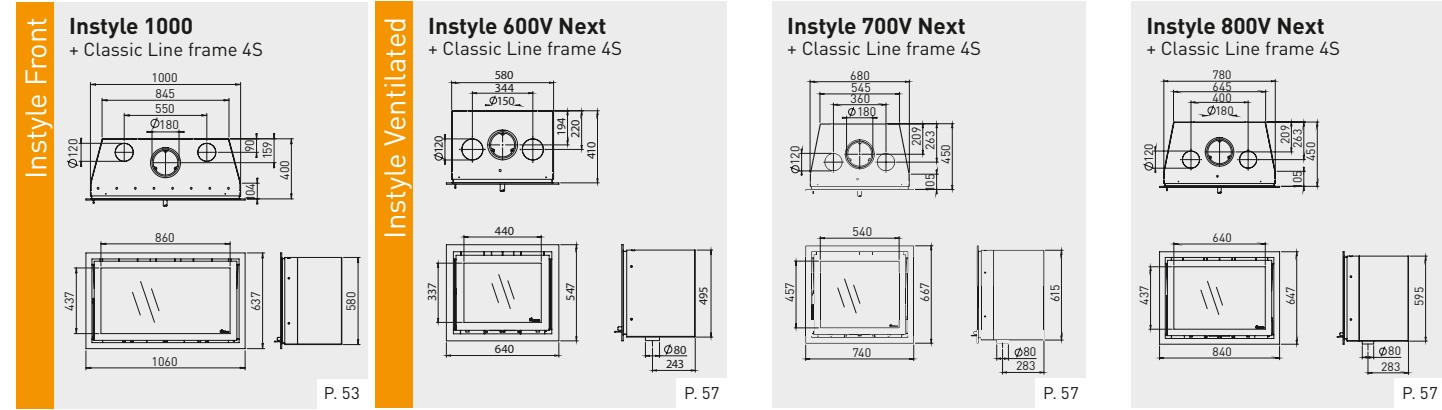
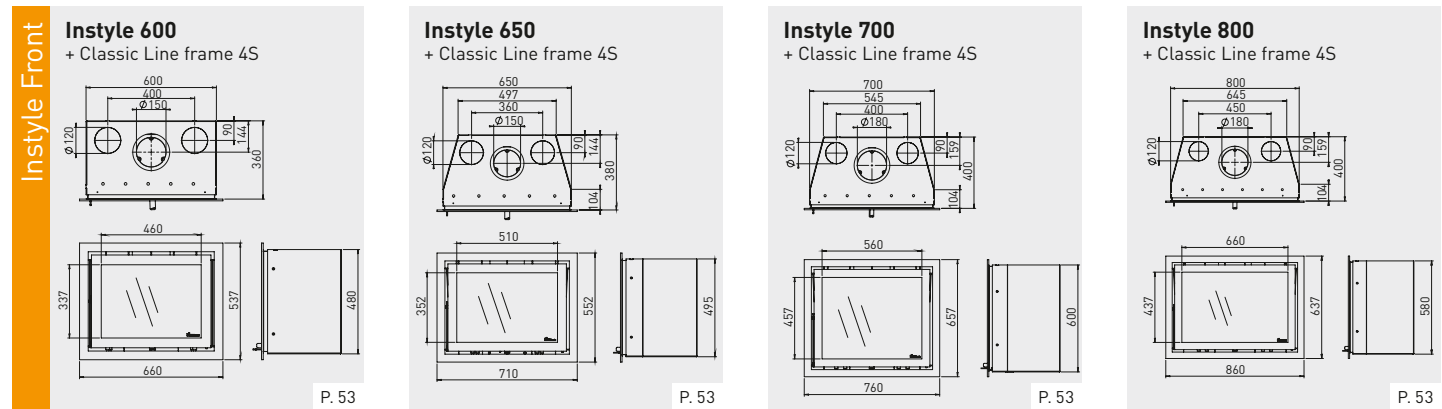
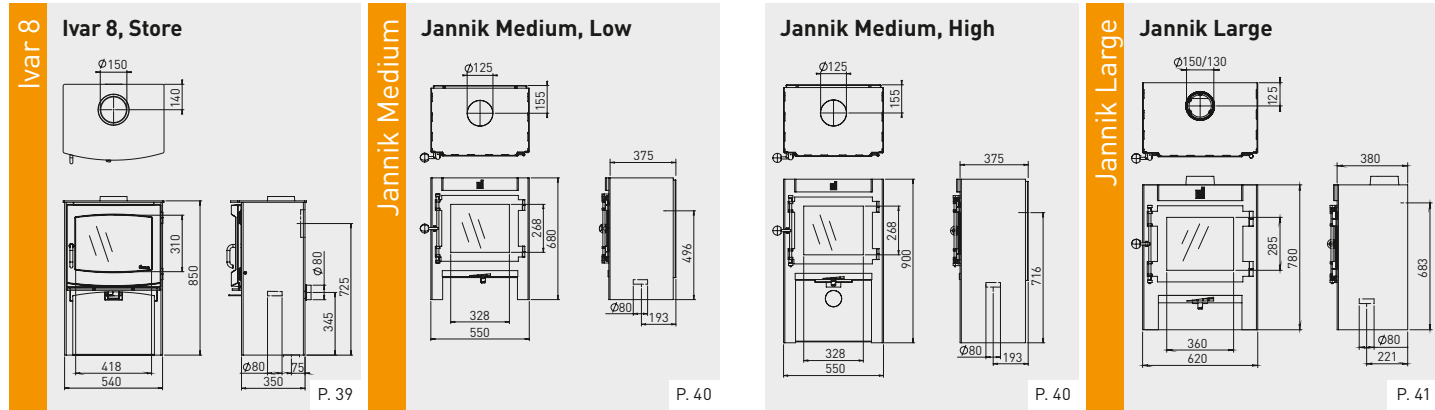
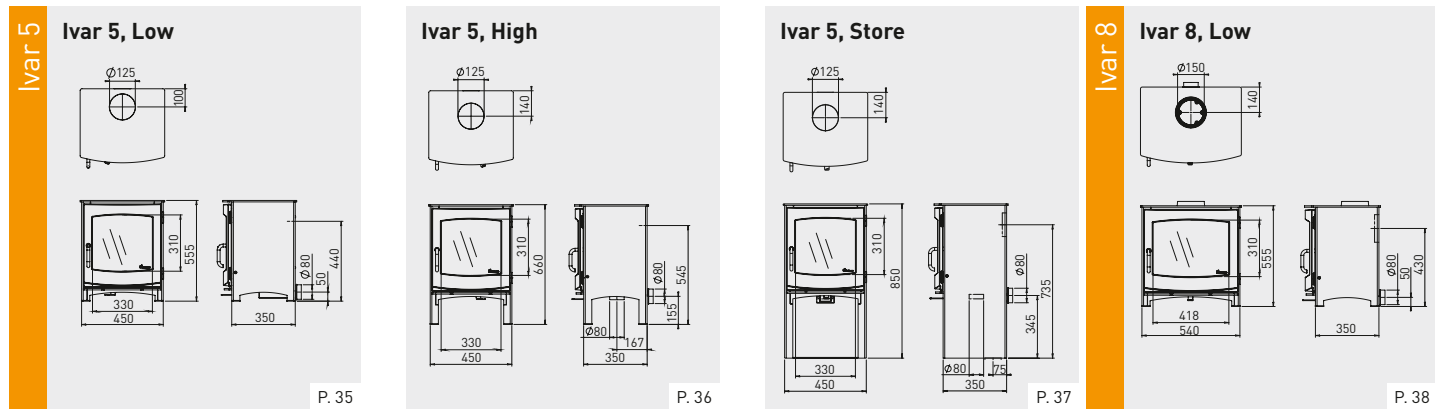


Folke

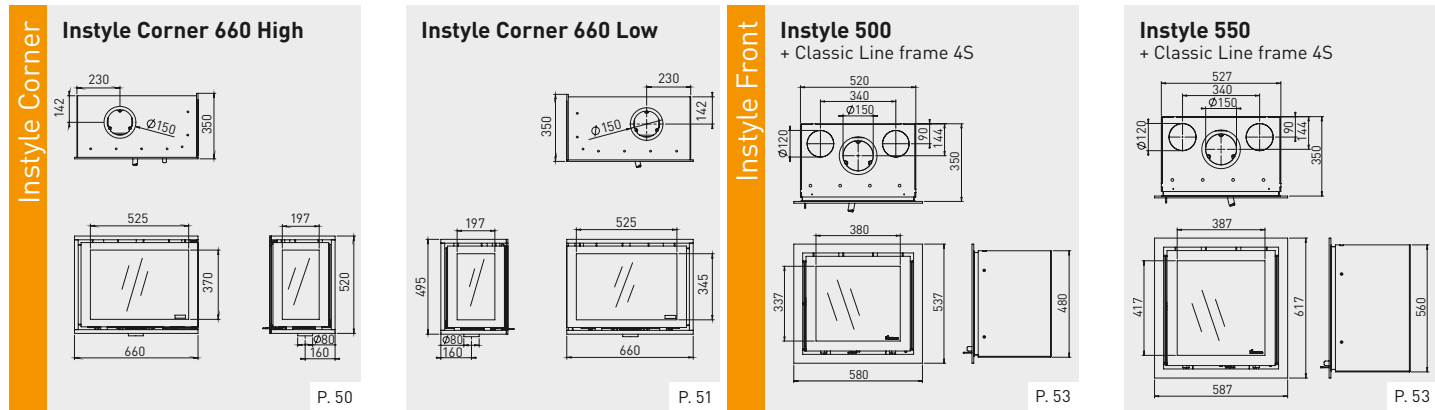
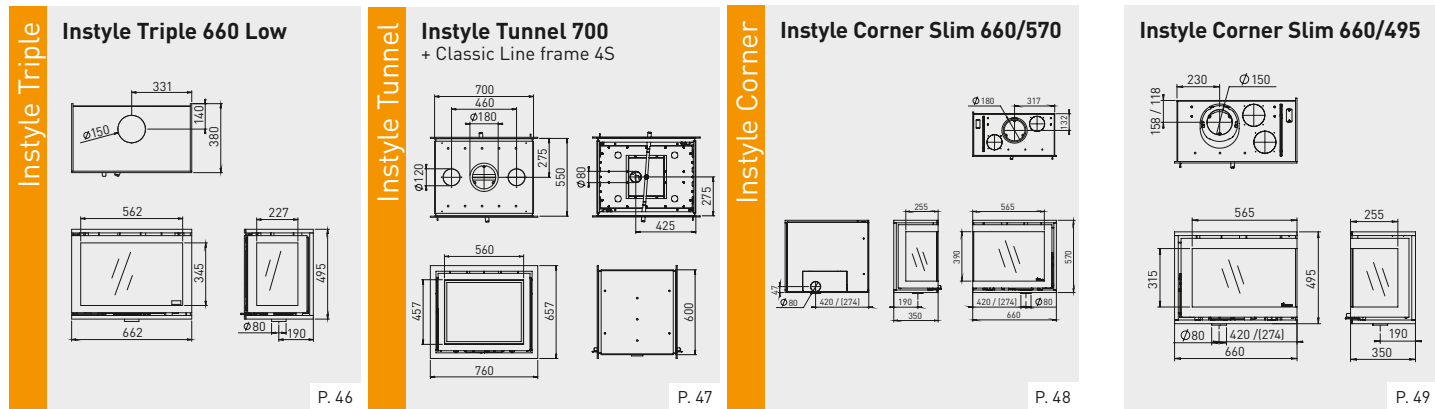


Modivar 5

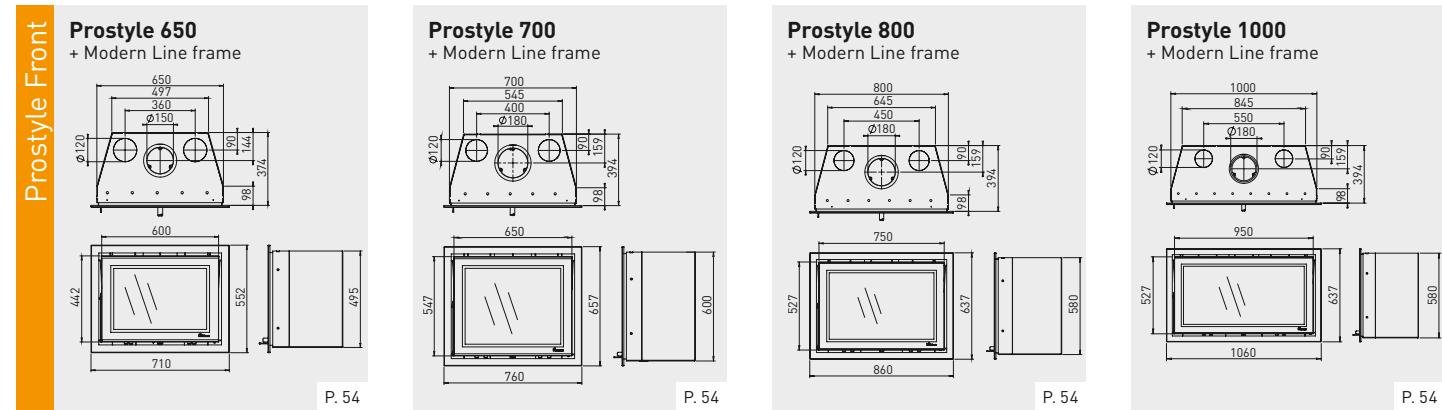
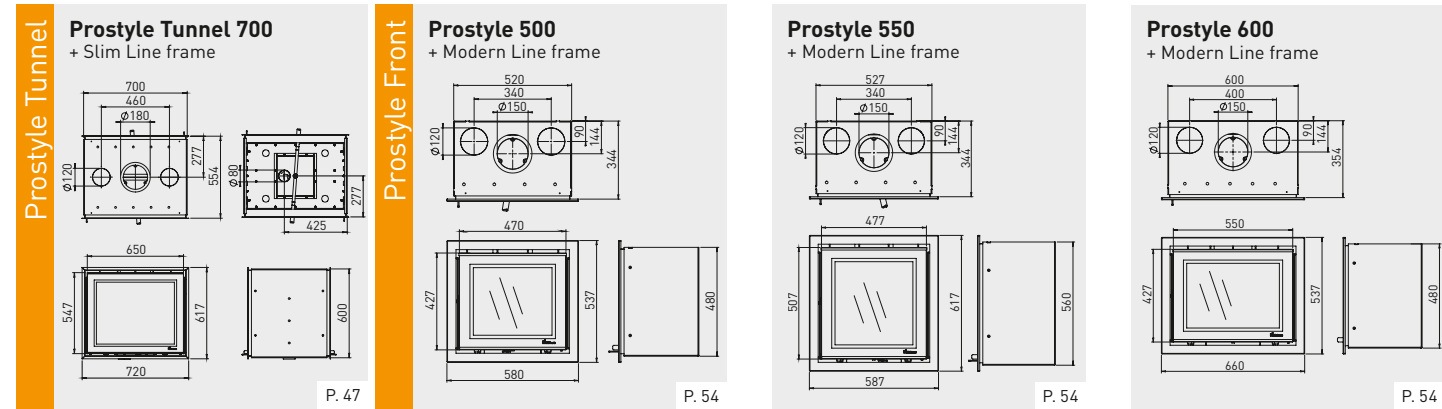




INSERT-/BUILT-IN FIRES INSTYLE



INSERT-/BUILT-IN FIRES PROSTYLE



Technical specifications

Page	Wood burning fireplaces and stoves	Net output (kW)	Efficiency (%)	Energy efficiency class	Flue upper (ø, mm)	Flue rear (ø, mm)	External air connection (EA)	External air connection (RS)	Maximum log length (cm)	Weight (kg)	Interior vermiculite natural	Interior vermiculite dark anthracite	Infrared glass (IR)	Type: wall	Type: freestanding	Type: free hanging	Type: insert	Type: built-in
Design fires																		
Front fires																		
12	Odin Front, Base ³⁾	4,0 - 8,0	75,2	A	150	-	optional	-	33	100	-	+	-	-	+	-	-	-
12	Odin Front, Fixed ³⁾	4,0 - 8,0	75,2	A	150	-	optional	-	33	85	-	+	-	-	-	+	-	-
12	Odin Front, Wall ³⁾	4,0 - 8,0	75,2	A	150	-	optional	-	33	85	-	+	-	+	-	-	-	-
13	Odin Front, Plateau ³⁾	4,0 - 8,0	75,2	A	150	-	optional	-	33	125	-	+	-	-	+	-	-	-
16	Oval Front, Base ³⁾	6,0 - 10,0	75,9	A	150	-	optional	including	50	135	-	+	-	-	+	-	-	-
16	Oval Front, Fixed ³⁾	6,0 - 10,0	75,9	A	150	-	optional	including	50	120	-	+	-	-	-	+	-	-
16	Oval Front, Plateau ³⁾	6,0 - 10,0	75,9	A	150	-	optional	including	50	160	-	+	-	-	+	-	-	-
16	Oval Front, Wall ³⁾	6,0 - 10,0	75,9	A	150	-	optional	including	50	120	-	+	-	+	-	-	-	-
17	Oval Front, Legs ³⁾	6,0 - 10,0	75,9	A	150	-	optional	including	50	130	-	+	-	-	+	-	-	-
Tunnel fires																		
14	Odin Tunnel, Fixed	6,0 - 10,0	75,0	A	150	-	optional	-	33	85	-	+	-	-	-	+	-	-
15	Odin Tunnel, Base	6,0 - 10,0	75,0	A	150	-	optional	-	33	130	-	+	-	-	+	-	-	-
15	Odin Tunnel, Plateau	6,0 - 10,0	75,0	A	150	-	optional	-	33	125	-	+	-	-	+	-	-	-
18	Oval Tunnel, Fixed ³⁾	9,0 - 12,0	81,5	A+	150	-	optional	including	50	120	-	+	+	-	-	+	-	-
19	Oval Tunnel, Base ³⁾	9,0 - 12,0	81,5	A+	150	-	optional	including	50	135	-	+	+	-	+	-	-	-
19	Oval Tunnel, Legs ³⁾	9,0 - 12,0	81,5	A+	150	-	optional	including	50	130	-	+	+	-	+	-	-	-
19	Oval Tunnel, Plateau ³⁾	9,0 - 12,0	81,5	A+	150	-	optional	including	50	160	-	+	+	-	+	-	-	-
2-sided fires																		
20	Bora Corner, Cubes ³⁾	4,0 - 9,0	78,1	A	150	-	optional	including	36	145	-	+	+	-	+	-	-	-
21	Bora Corner, Fixed ³⁾	4,0 - 9,0	78,1	A	150	-	optional	including	36	95	-	+	+	-	-	+	-	-
21	Bora Corner, Floating Plateau ³⁾	4,0 - 9,0	78,1	A	150	-	optional	including	36	145	-	+	+	-	+	-	-	-
22	Bora Corner, Straight Plateau ³⁾	4,0 - 9,0	78,1	A	150	-	optional	including	36	140	-	+	+	-	+	-	-	-
23	Bora Corner, Wall ³⁾	4,0 - 9,0	78,1	A	150	-	optional	including	36	95	-	+	+	+	-	-	-	-
Wood and multi-fuel stoves																		
3-sided fires																		
26	Vidar Triple	4,0 - 9,0	88,0	A+	150	-	including	-	55	165	+	-	+	-	+	-	-	-
27	Vidar Wall	4,0 - 9,0	88,0	A+	150	-	including	-	55	125	+	-	+	+	-	-	-	-
28	Kalle	4,0 - 8,0	85,0	A+	150	150	including	-	40	130	+	-	-	-	+	-	-	-
29	Folke	4,0 - 8,0	77,3	A	150	150	optional	including	33	120	+	-	+	-	+	-	-	-
Front fires																		
30	Modivar 5, Floating Plateau ³⁾	4,0 - 7,0	82,0	A+	125/130	125/130	optional	including	35	140	+	-	-	-	+	-	-	-
30	Modivar 5, Straight Plateau ³⁾	4,0 - 7,0	82,0	A+	125/130	125/130	optional	including	35	135	+	-	-	-	+	-	-	-
30	Modivar 5, Store Front ³⁾	4,0 - 7,0	82,0	A+	125/130	125/130	optional	including	35	120	+	-	-	-	+	-	-	-
31	Modivar 5, Store Corner ³⁾	4,0 - 7,0	82,0	A+	125/130	125/130	optional	including	35	120	+	-	-	-	+	-	-	-
32	Soren 5 ¹⁾	4,0 - 7,0	82,0	A+	125/130	125/130	optional	including	35	85	+	-	-	-	+	-	-	-
32	Aste 5 ¹⁾	4,0 - 7,0	82,0	A+	125/130	125/130	optional	including	35	85	+	-	-	-	+	-	-	-
33	Lars 1000	4,0 - 7,0	82,0	A+	125/130	125/130	optional	including	35	100	+	-	-	-	+	-	-	-
35	Ivar 5, Low ¹⁾	4,0 - 7,0	82,0	A+	125/130	125/130	optional	including	35	85	+	-	-	-	+	-	-	-
36	Ivar 5, High ¹⁾	4,0 - 7,0	82,0	A+	125/130	125/130	optional	including	35	90	+	-	-	-	+	-	-	-
37	Ivar 5, Store ¹⁾	4,0 - 7,0	82,0	A+	125/130	125/130	optional	including	35	105	+	-	-	-	+	-	-	-

Page	Wood burning fireplaces and stoves	Net output (kW)	Efficiency (%)	Energy efficiency class	Flue upper (ø, mm)	Flue rear (ø, mm)	External air connection (EA)	External air connection (RS)	Maximum log length (cm)	Weight (kg)	Interior vermiculite natural	Interior vermiculite dark anthracite	Infrared glass (IR)	Type: wall	Type: freestanding	Type: free hanging	Type: insert	Type: built-in
Wood and multi-fuel stoves																		
Front fires																		
38	Ivar 8, Low ¹⁾	5,0 - 10,0	76,6	A	150	150	optional	including	46	100	+	-	-	-	+	-	-	-
39	Ivar 8, Store ¹⁾	5,0 - 10,0	76,6	A	150	150	optional	including	46	120	+	-	-	-	+	-	-	-
40	Jannik Medium, Low ³⁾	4,0 - 7,0	82,0	A+	125/130	125/130	optional	-	35	90	+	-	-	-	+	-	-	-
40	Jannik Medium, High ³⁾	4,0 - 7,0	82,0	A+	125/130	125/130	optional	-	35	90	+	-	-	-	+	-	-	-
41	Jannik Large	4,0 - 8,0	87,0	A+	130&150	130&150	optional	-	40	128	+	-	-	-	+	-	-	-
Inserts and built-in wood fires																		
3-sided fires																		
46	Instyle Triple 660 Low	4,0 - 9,0	88,0	A+	150	-	inclusief	-	55	102	+	-	+	-	-	-	+	-
2-sided fires																		
48	Instyle Corner Slim 660/570 ³⁾	5,0 - 10,0	80,0	A	180	-	optional	including	50	120	+	-	+	-	-	-	+	+
49	Instyle Corner Slim 660/495 ³⁾	4,0 - 10,0	75,2	A	150 ²⁾	-	optional	including	50	110	+	-	-	-	-	-	+	+
50	Instyle Corner 660 High	4,0 - 9,0	76,3	A	150	-	inclusief	-	50	105	+	-	-	-	-	-	+	+
51	Instyle Corner 660 Low	4,0 - 9,0	76,3	A	150	-	inclusief	-	50	105	+	-	-	-	-	-	+	+
Front fires																		
53	Instyle 500 ³⁾	3,0 - 7,0	82,0	A+	150	-	optional	-	35	80	+	-	-	-	-	-	+	+
53	Instyle 550 ³⁾	3,0 - 7,0	81,0	A+	150	-	optional	-	36	94	+	-	-	-	-	-	+	+
53	Instyle 600 ³⁾	3,0 - 7,0	79,6	A	150	-	optional	-	42	120	+	-	-	-	-	-	+	+
53	Instyle 650 ³⁾	3,0 - 9,0	80,5	A	150	-	optional	-	40	108	+	-	-	-	-	-	+	+
53	Instyle 700 ³⁾	6,0 - 12,0	81,6	A+	180	-	optional	-	45	116	+	-	-	-	-	-	+	+
53	Instyle 800	8,0 - 12,0	76,6	A	180	-	optional	-	55	130	+	-	-	-	-	-	+	+
53	Instyle 1000	9,0 - 13,0	77,7	A	180	-	optional	-	75	145	+	-	-	-	-	-	+	+
54	Prostyle 500 ³⁾	3,0 - 7,0	82,0	A+	150	-	optional	-	35	80	+	-	-	-	-	-	+	+
54	Prostyle 550 ³⁾	3,0 - 7,0	81,0	A+	150	-	optional	-	36	94	+	-	-	-	-	-	+	+
54	Prostyle 600 ³⁾	3,0 - 7,0	79,6	A	150	-	optional	-	42	120	+	-	-	-	-	-	+	+
54	Prostyle 650 ³⁾	3,0 - 9,0	80,5	A	150	-	optional	-	40	108	+	-	-	-	-	-	+	+
54	Prostyle 700 ³⁾	6,0 - 12,0	81,6	A+	180	-	optional	-	45	116	+	-	-	-	-	-	+	+
54	Prostyle 800	8,0 - 12,0	76,6	A	180	-	optional	-	55	130	+	-	-	-	-	-	+	+
54	Prostyle 1000	9,0 - 13,0	77,7	A	180	-	optional	-	75	145	+	-	-	-	-	-	+	+
Ventilated																		
57	Instyle 600V Next	3,0 - 7,0	79,6	A	150	-	optional	-	42	98	+	-	-	-	-	-	+	-
57	Instyle 700V Next	6,0 - 12,0	81,6	A+	180	-	optional	-	45	120	+	-	-	-	-	-	+	-
57	Instyle 800V Next	8,0 - 12,0	76,6	A	180	-	optional	-	55	130	+	-	-	-	-	-	+	-
Tunnel fires																		
47	Instyle Tunnel 700	9,0 - 12,0	83,0	A+	180	-	optional	including	52	140	+	-	-	-	-	-	+	+
47	Prostyle Tunnel 700	9,0 - 12,0	83,0	A+	180	-	optional	-	52	140	+	-	-	-	-	-	+	+

¹⁾ Multi-fuel kit available for burning multi-fuel/coal.

²⁾ SlideConnect® = variable connection to the flue (can be shifted to 4 cm).

³⁾ Defra approved = approved to use in smoke controlled areas.



Dealer

 **Dik Geurts**
Creation of flames

DRU Verwarming B.V.
P.O. Box 1021, 6920 BA Duiven
Ratio 8, 6921 RW Duiven

The Netherlands

T. +31 (0)26 - 319 5 319
www.geurts.nl

Drugasar Ltd.
Deans Road, Swinton
Manchester, M27 0JH

United Kingdom

T. +44 (0)161 - 793 8700
www.dikgeurts.co.uk

DRU Belgium
Kontichsesteenweg 69/1
2630 Aartselaar

Belgium

T. +32 (0)3 - 450 7000
www.dikgeurts.be

since
1754



BY APPOINTMENT OF
THE COURT OF THE NETHERLANDS



Dik Geurts is a trademark of DRU Verwarming B.V. Subject to changes. The colours in this brochure may vary from the actual products. Nothing in this publication may be used without prior written consent from DRU Verwarming B.V.

SOCIAL MEDIA: For more inspiration and information, visit one of our social media channels or scan the QR code:



Art.9934/76 | 2023-04