

0 8 6 2 5

Skylight Structures

enlighten your world





"Light, God's eldest daughter, is a principal beauty in a building."

- Thomas Fuller, Architect

SKYLINE SKY-LITES DELIVER QUALITY AND PERFORMANCE

Since 1973, Skyline Sky-Lites has manufactured a complete line of skylights, monumental glass structures, and sloped glazing systems. We are capable of providing anything from a small dome skylight through a fifty-foot free-spanning glass structure. With the many impressive and innovative projects we have successfully completed all across the country, we have established ourselves as an industry leader.

Skyline combines its own innovations with the latest technology to assure every product we manufacture meets our unparalleled commitment to quality. Our meticulous craftsmanship and innovative product engineering ensure that each system meets every technical requirement for both performance and longevity.

Each and every system we produce incorporates a stacking gutter design consisting of both primary and secondary weep gutters within the aluminum extrusions. The integral gutters stack above one another at intersecting points directing any moisture to the exterior of the building. This provides a mechanical, leak-proof design, which is not dependent on exterior sealants that could fail over time.

The open architecture of our system design allows for the combination of any glazing material, with

any geometric shape, at any given pitch. Given the vast array of glazing options available today, the designer has virtually unlimited possibilities to naturally daylight a space. Using high performance glazing, the control of visible light transmission, solar heat gain, and energy loss is truly attainable with a transparent skylight and is no longer limited to translucent skylight systems. All available glazing options, whether glass or acrylic, are inherently UV stable and UV blocking.

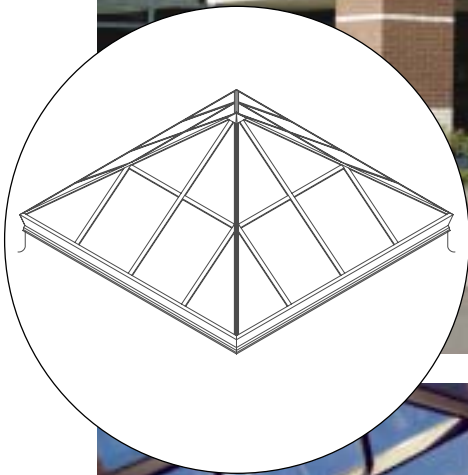
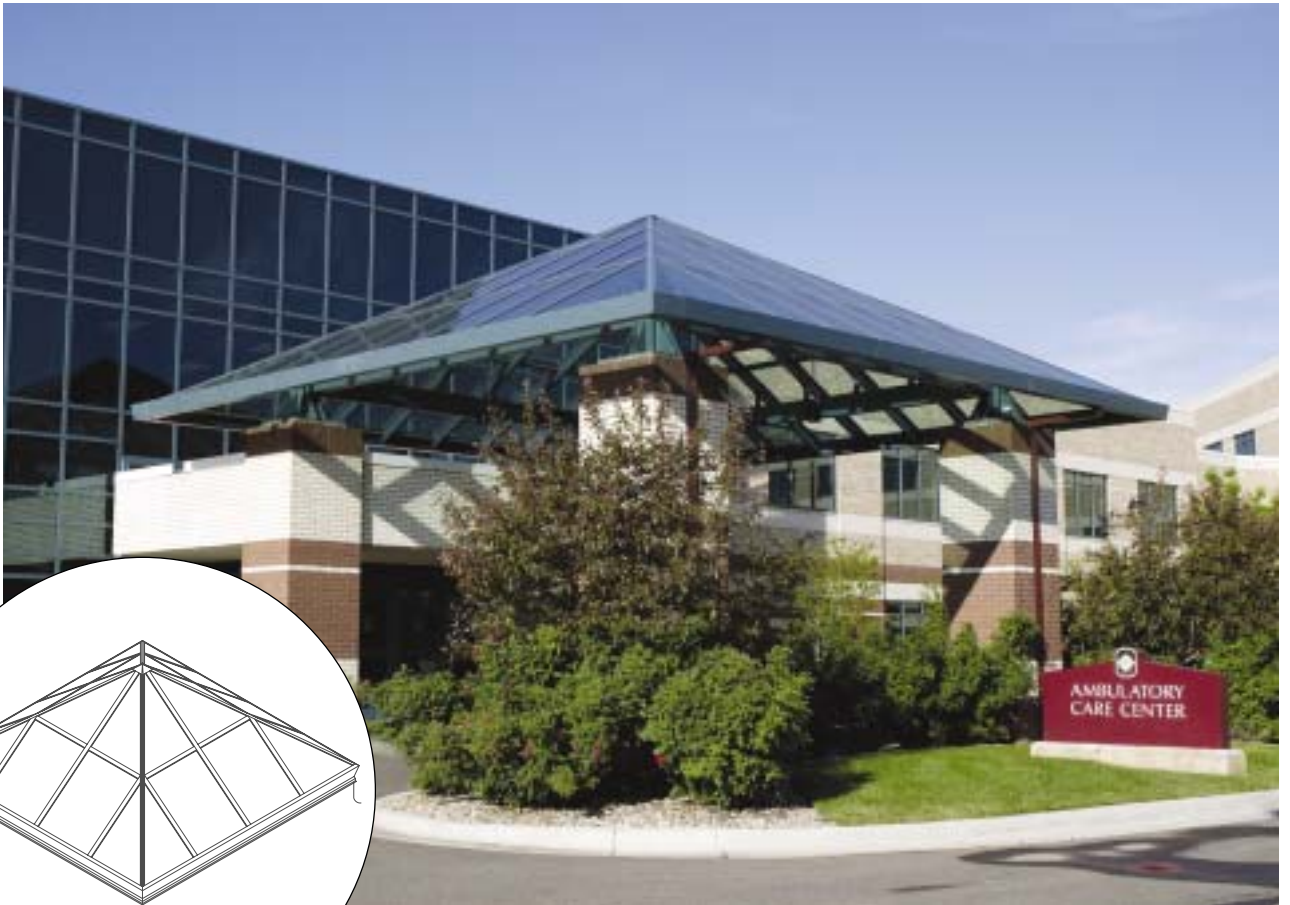
Skyline offers conventionally capped framing systems with no exposed fasteners, as well as two and four sided structural silicone glazed systems, which eliminate the obstruction of water on the glazing surface of the skylight. Available frame finishes include clear and color anodized, Fluoropolymer (Kynar 500®) paints, powder coat and acrylic enamel paints with limitless color possibilities.

Our sales and technical staff are eager to serve you with design assistance, advice, and pricing for the appropriate product to match your daylighting requirements.

Visit us at www.skylites.com
to learn more about our skylights and to
download the appropriate details and
specifications for your project.

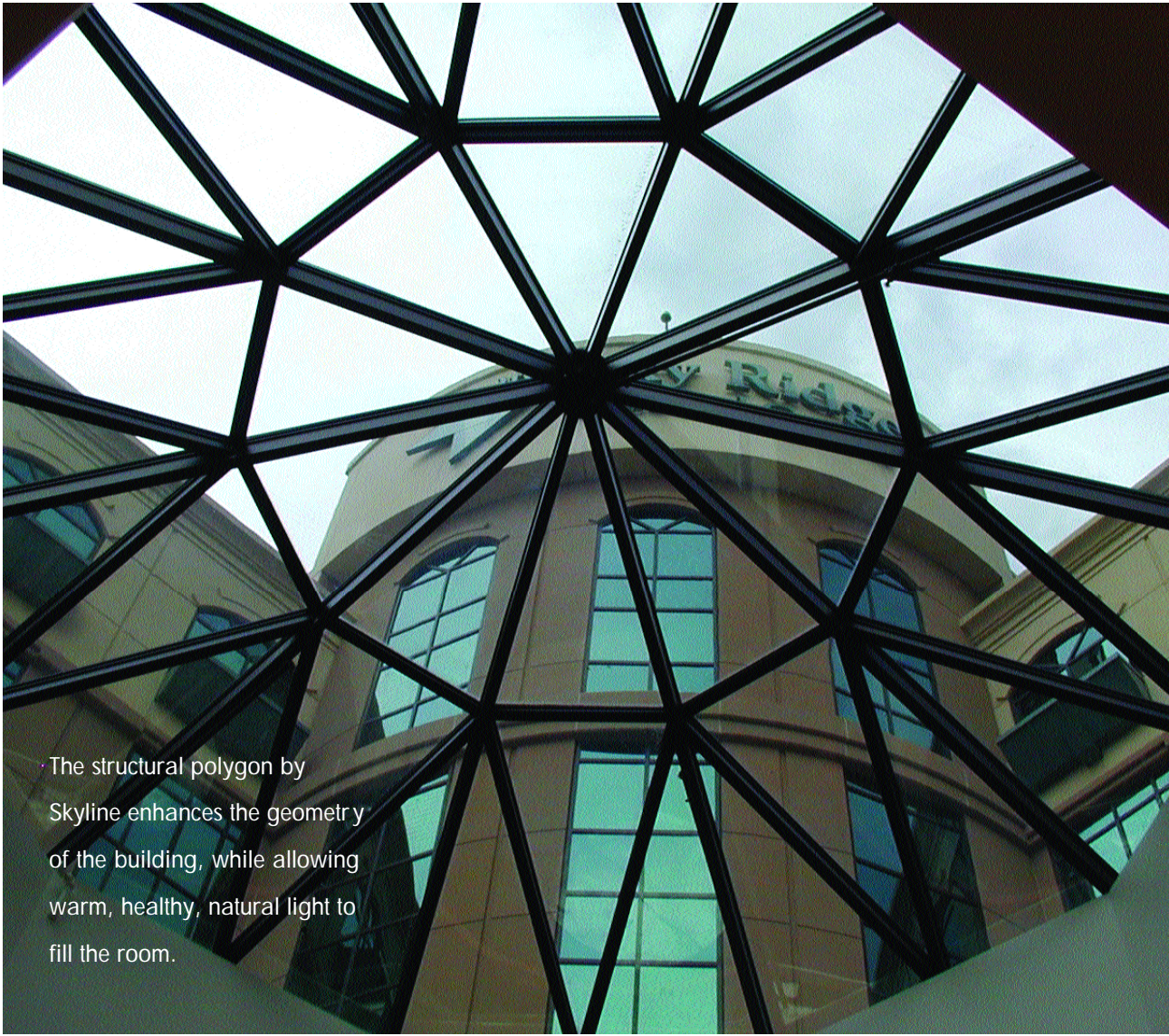
PYRAMID

Traditional

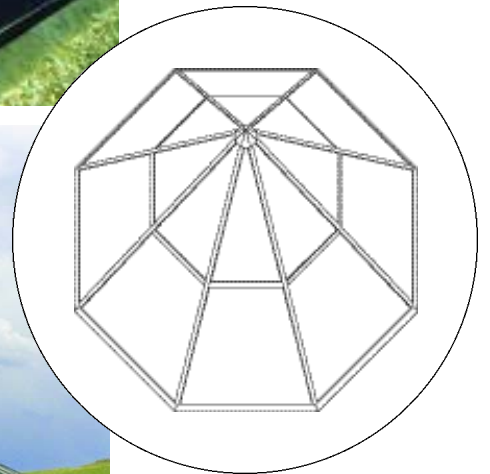
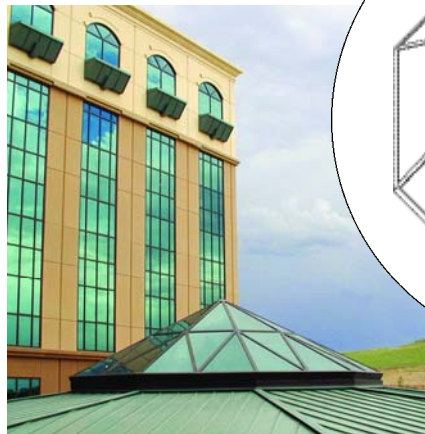
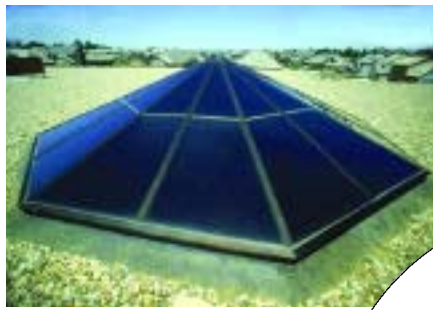
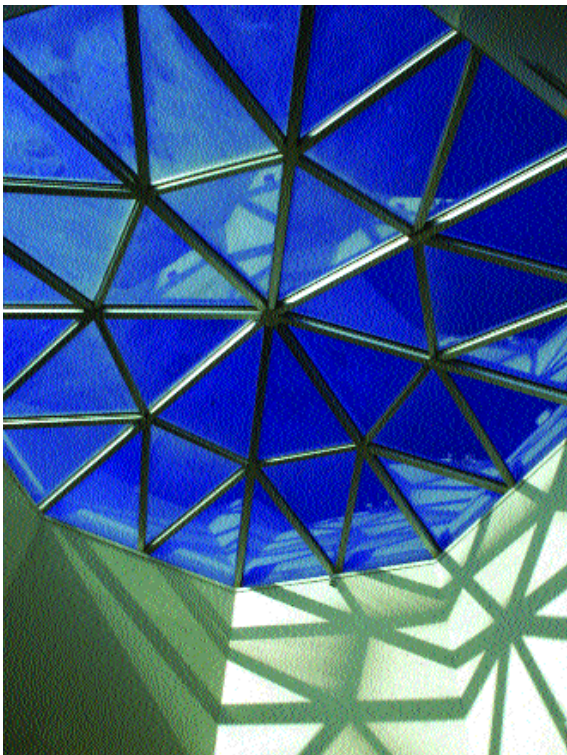


Skyline's structural pyramid offers the opportunity to fill a clear opening with a completely self supporting glazing structure. This allows the designer to give his building an open and airy atmosphere that pleases the eye and the mind.





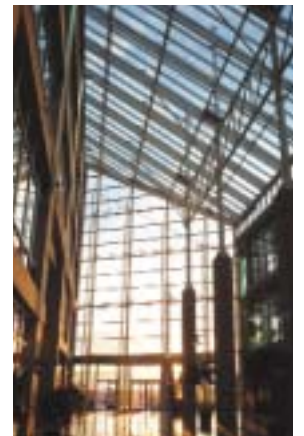
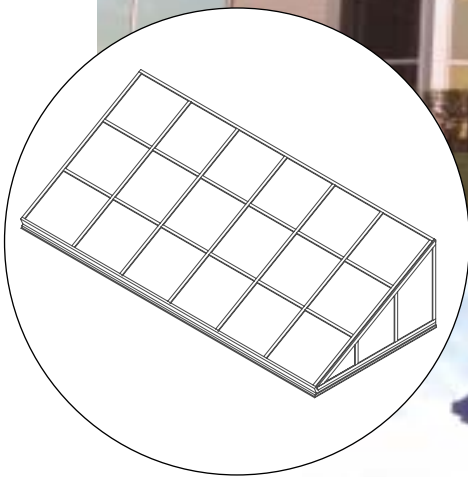
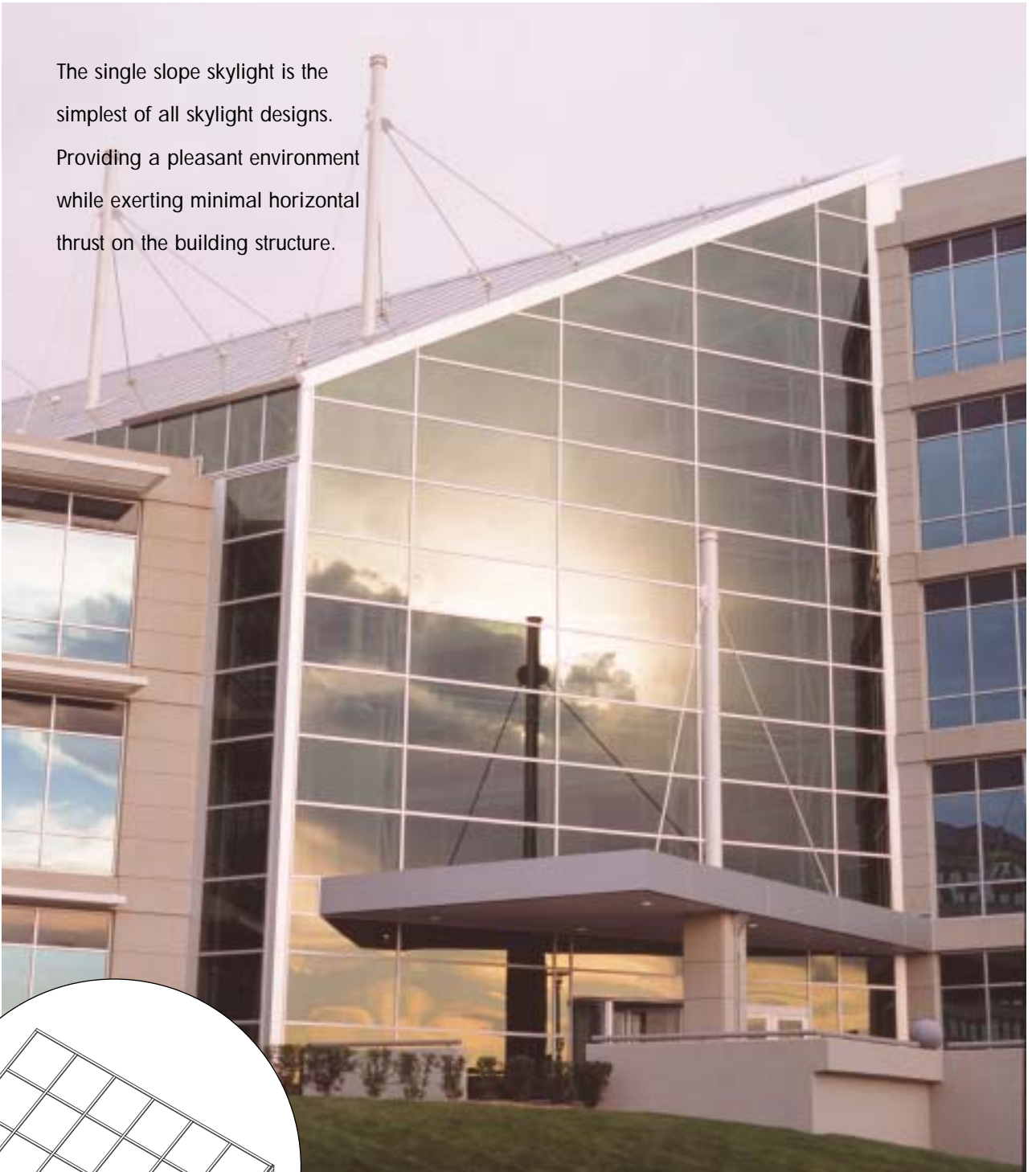
The structural polygon by Skyline enhances the geometry of the building, while allowing warm, healthy, natural light to fill the room.



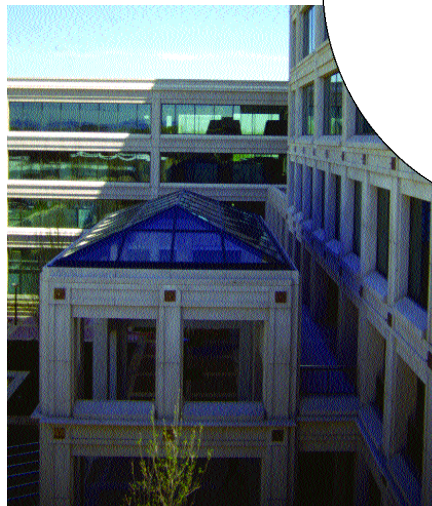
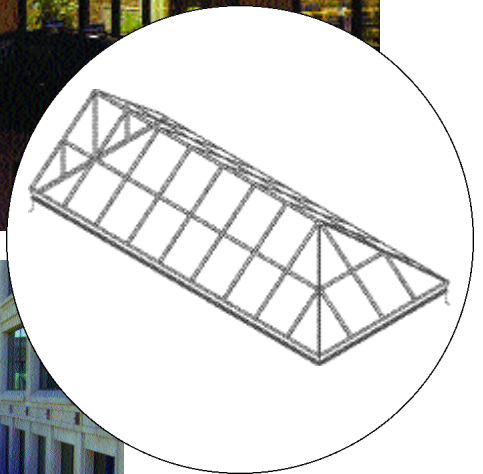
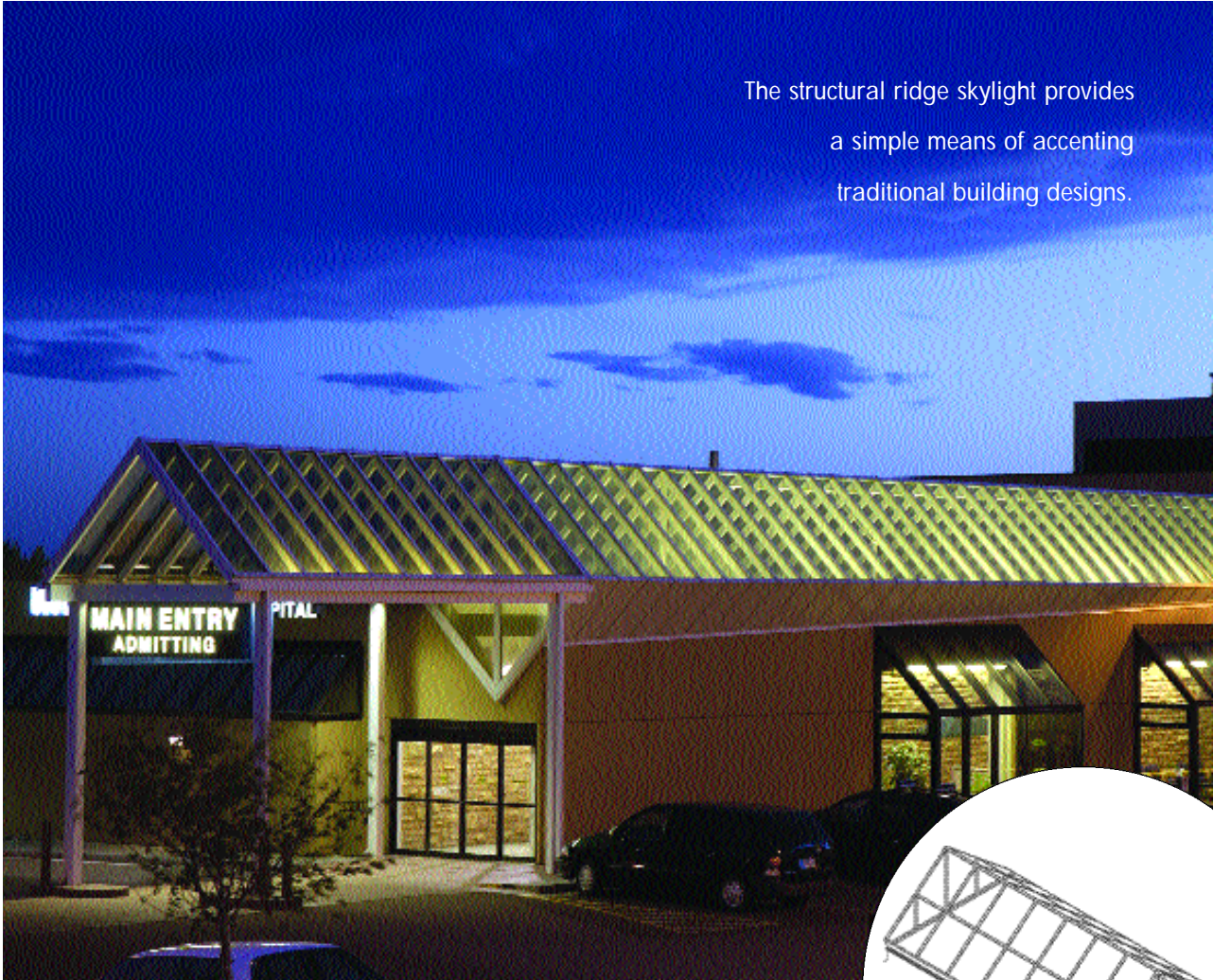
SINGLE - SLOPE

Leanto

The single slope skylight is the simplest of all skylight designs. Providing a pleasant environment while exerting minimal horizontal thrust on the building structure.

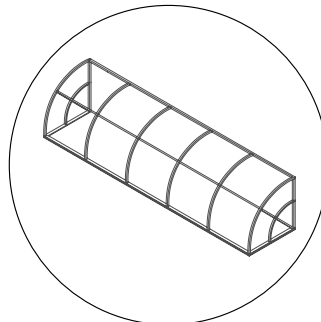
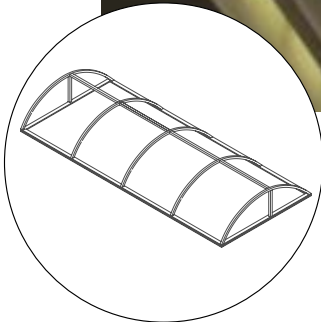
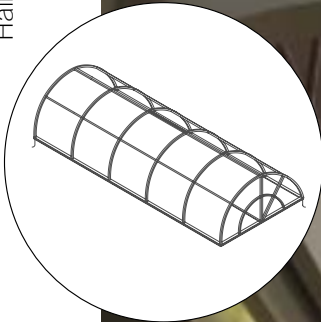


The structural ridge skylight provides a simple means of accenting traditional building designs.



BARREL VAULT

Half Round • Low Rise • Quarter Round

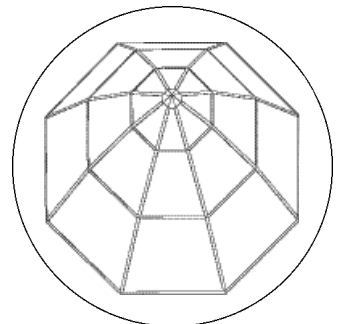
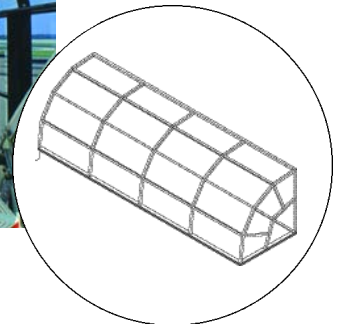
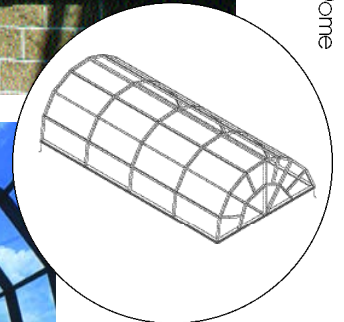


The structural barrel vault incorporates an eye pleasing contour while allowing the designer unlimited lengths. The quarter round skylight is an attractive variation of the barrel vault.



SEGMENTED GLASS

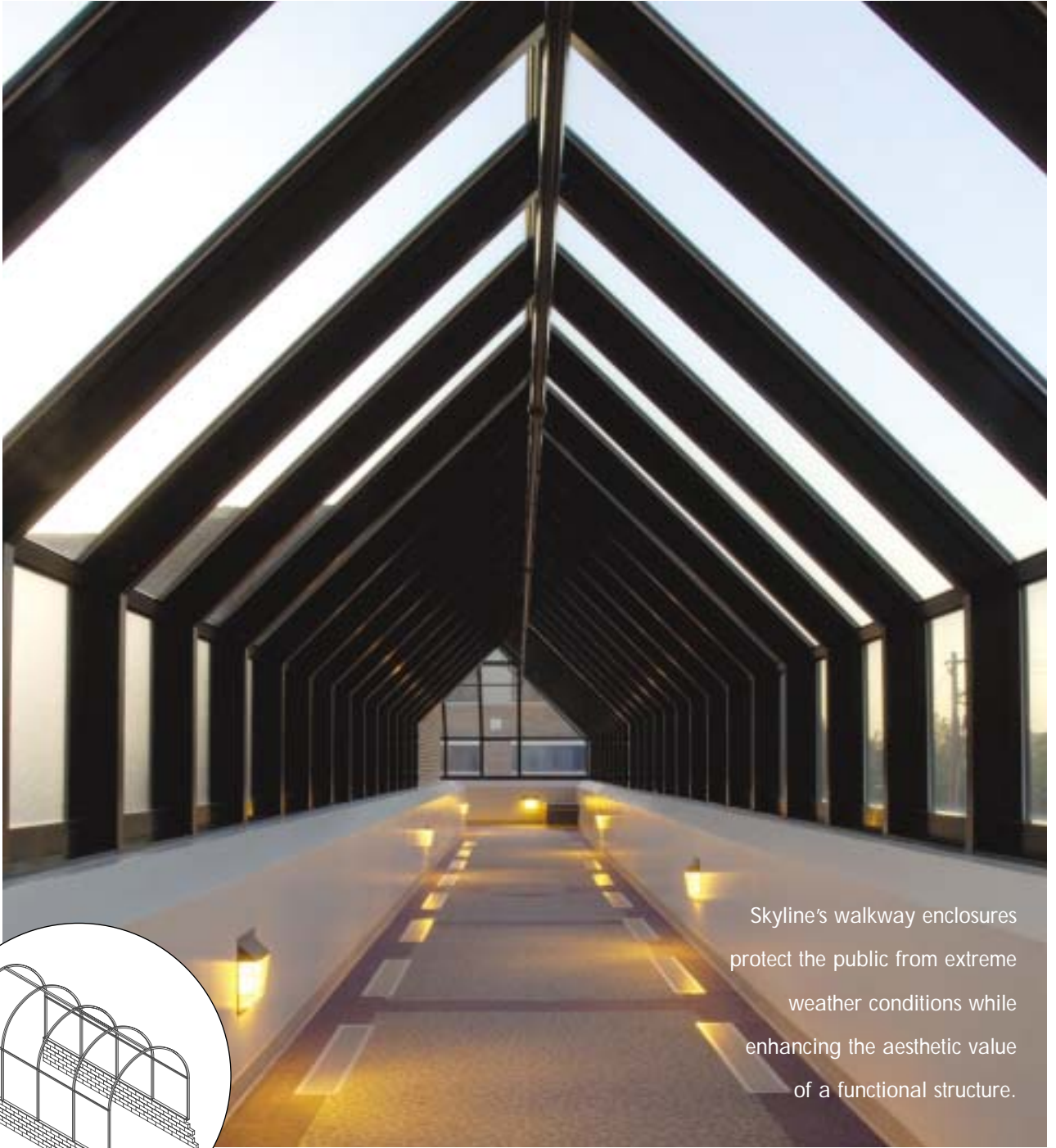
Quarter Round • Half Round • Dome



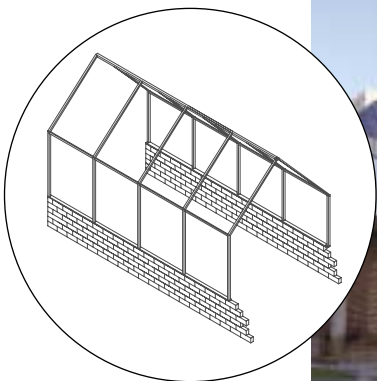
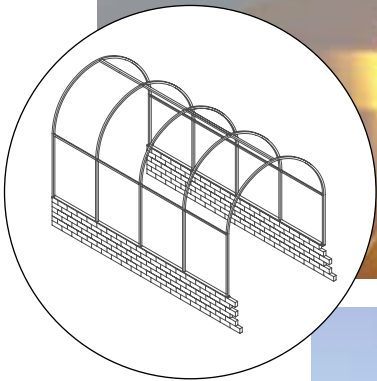
Segmented glass skylights provide an attractive multi-faceted look to a curved shape while providing the advantages of a glass skylight.

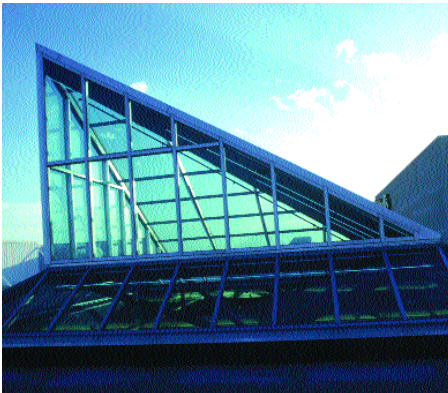
W A L K W A Y S

Curved Walkway • Gable Walkway



Skyline's walkway enclosures protect the public from extreme weather conditions while enhancing the aesthetic value of a functional structure.





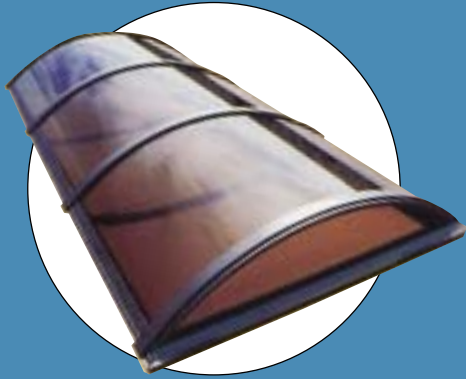
Skyline's versatile system and engineering expertise allow the designer virtually limitless possibilities with geometric shapes to enhance any building design.

Skyline's continuous vault, ridge, pyramid and tandem skylights offer the designer an opportunity to include dramatic skylighting in a very cost effective manner. Continuous

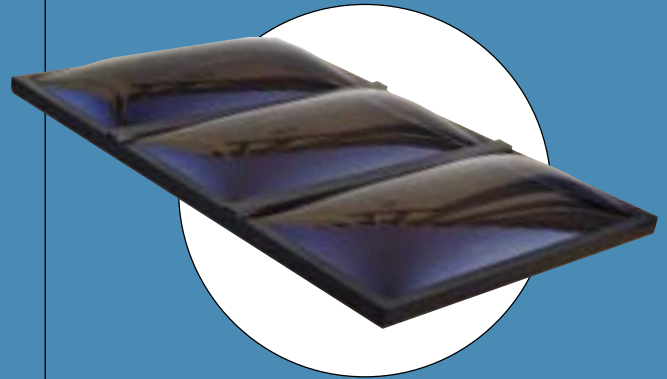
skylights are available in both standard and custom widths in any length. Visit www.skylites.com for standard width dimensions and configurations.

CONTINUOUS

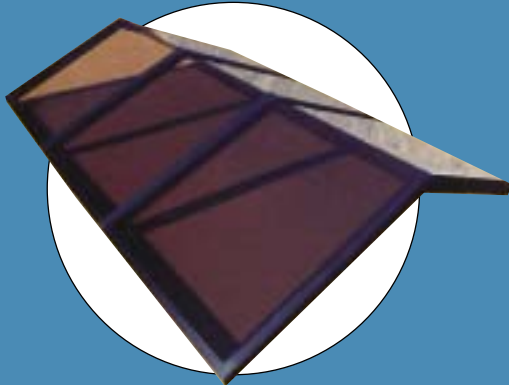
TANDEM



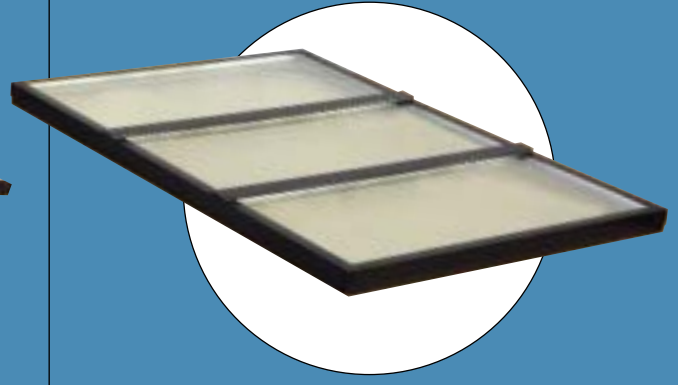
VAULT



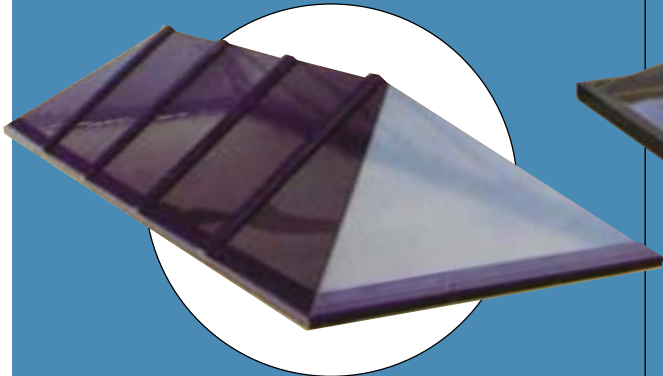
DOME



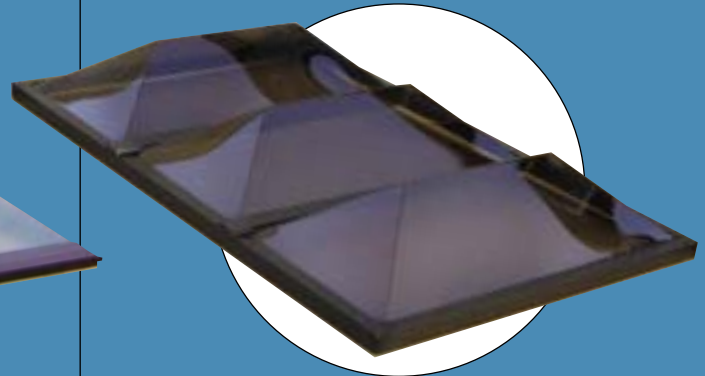
RIDGE



FLAT GLASS



PYRAMID

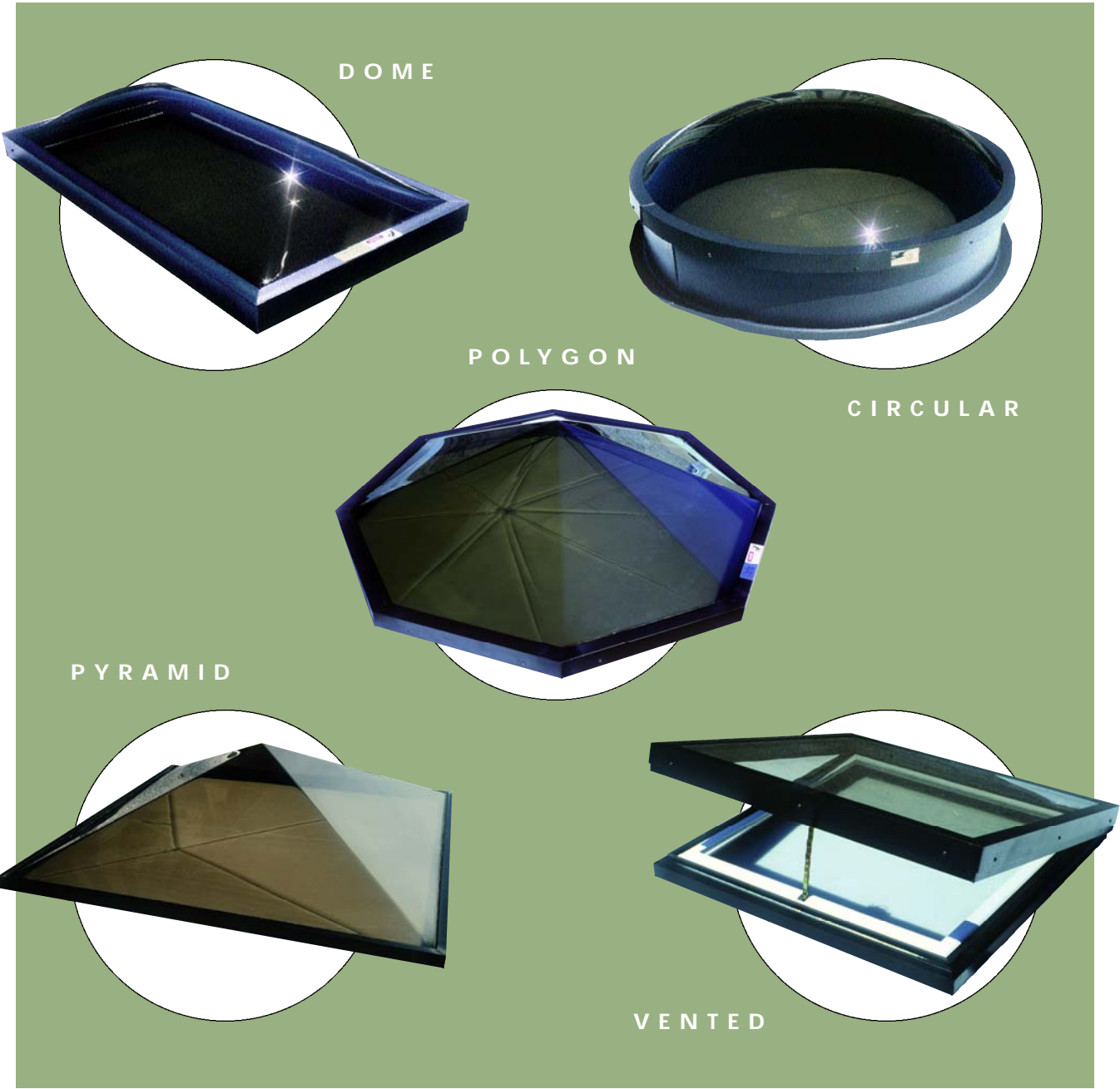


PYRAMID

Skyline's wide variety of sizes and shapes in unit skylights can find an application in any type of construction commercial, industrial, or residential. Visit www.skylites.com or request our unit skylight product brochure.

UNIT SKYLIGHTS

- Dome
- Pyramid
- Flat Glass
- Polygon
- Circular
- Vented
- Hatchway



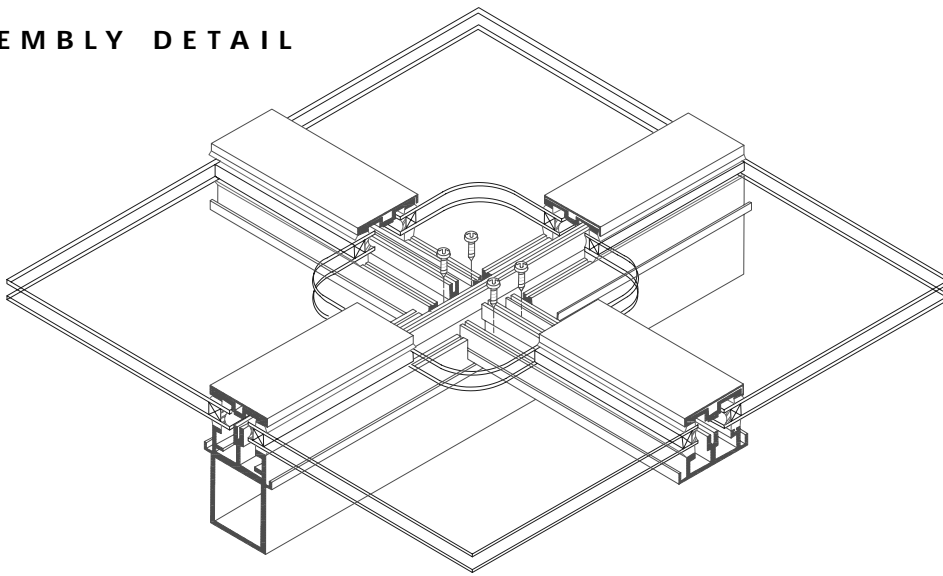
SKYLINE DELIVERS QUALITY AND PERFORMANCE

All Skyline Sky-Lites designs incorporate a stacking gutter system consisting of both primary and secondary weep gutters within the aluminum extrusions. The integral gutters stack above one another at intersecting points directing any moisture to the exterior of the building. This provides a mechanical, leak-proof design, which is not dependent on exterior sealants that could fail over time.

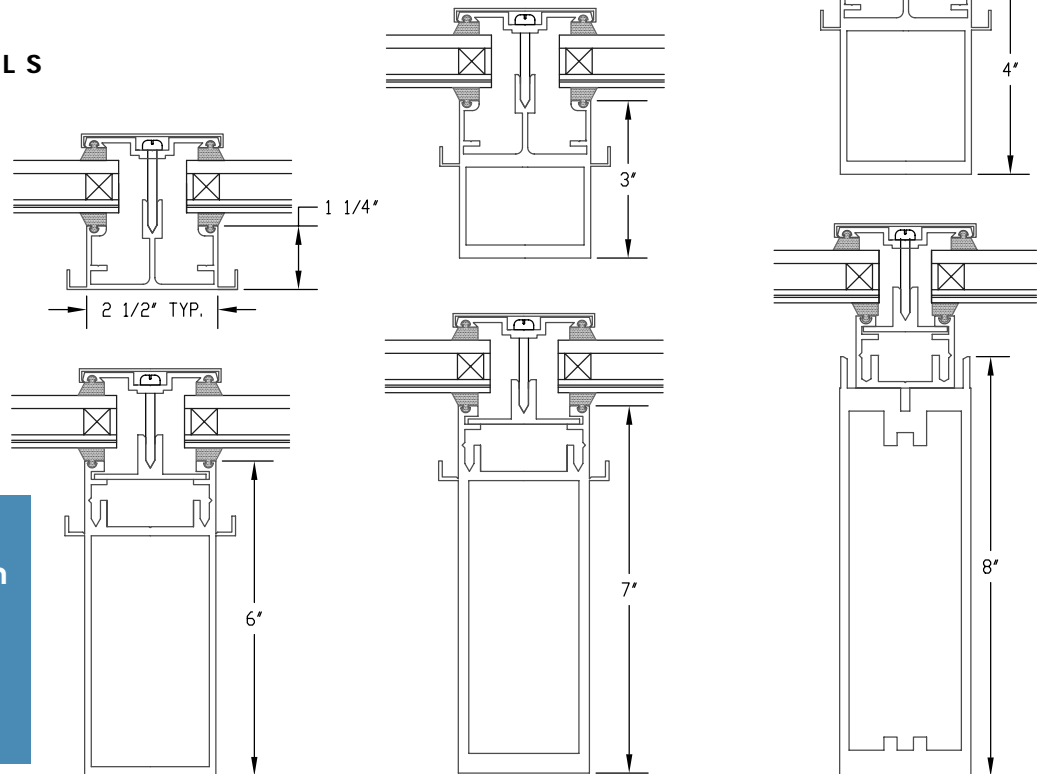
Our systems are offered as conventionally capped on all four sides with no exposed fasteners, as well as two and four sided structural silicone glazed which eliminates any obstruction of the glazed surface. Our framing profiles vary from a non-structural skin system to an 8" depth to accommodate various spans and loading requirements.



ASSEMBLY DETAIL



RAFTER DETAILS



Please visit us at www.skylites.com to download the appropriate details and specifications for your project.





Skyline Sky-Lites, LLC
2925 Delta Drive, Colorado Springs, CO 80910
866.625.1330 • 719.392.4220 • Fax: 719.392.4685
www.skylites.com