

INDUSTRIAL DIESEL ENGINE

KUBOTA EA SERIES (1-cylinder)

EA330-E4-NB1

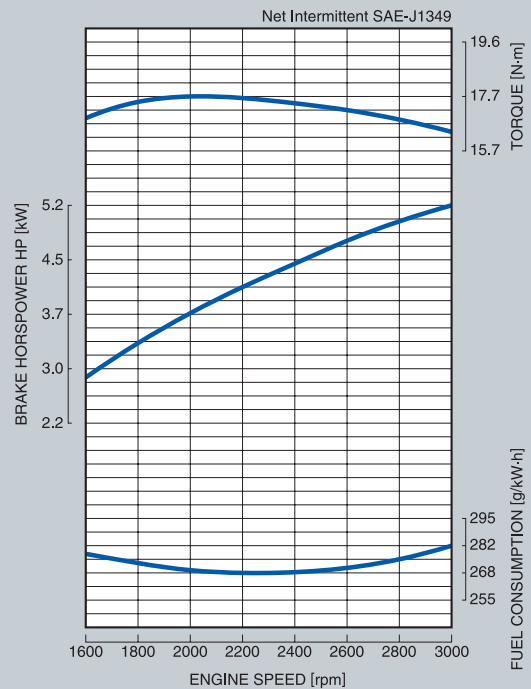
RATED POWER

5.15kW @ 3000rpm



Photograph may show non-standard equipment.

PERFORMANCE CURVE



FEATURES and BENEFITS

Emissions

The Kubota EA330 engine complies with EPA Tier 4 emissions regulations. These are the most stringent emissions regulations in the world in this class.

Kubota engine less than 19kW also meets emission standards over the NRTC and the NTE requirements.

Durable Power

The Kubota EA330 engine has been chosen as the power source for a variety of applications.

Combustion chamber with TVCS (Three Vortex Combustion System) provides stable performance even at high engine rpm. With the extra displacement for its output, work goes surely and steadily.

This engine offers a seamless transition from E3 to E4 by entirely maintaining the same performance and physical characteristics of the former E3 engines.

Clean and Quiet Power

Kubota's original TVCS (Three Vortex Combustion System) provides ideal mixture of air and fuel, and enables low fuel consumption.

KUBOTA EA SERIES EA330-E4-NB1

GENERAL SPECIFICATION

Net Intermittent SAE-J1349

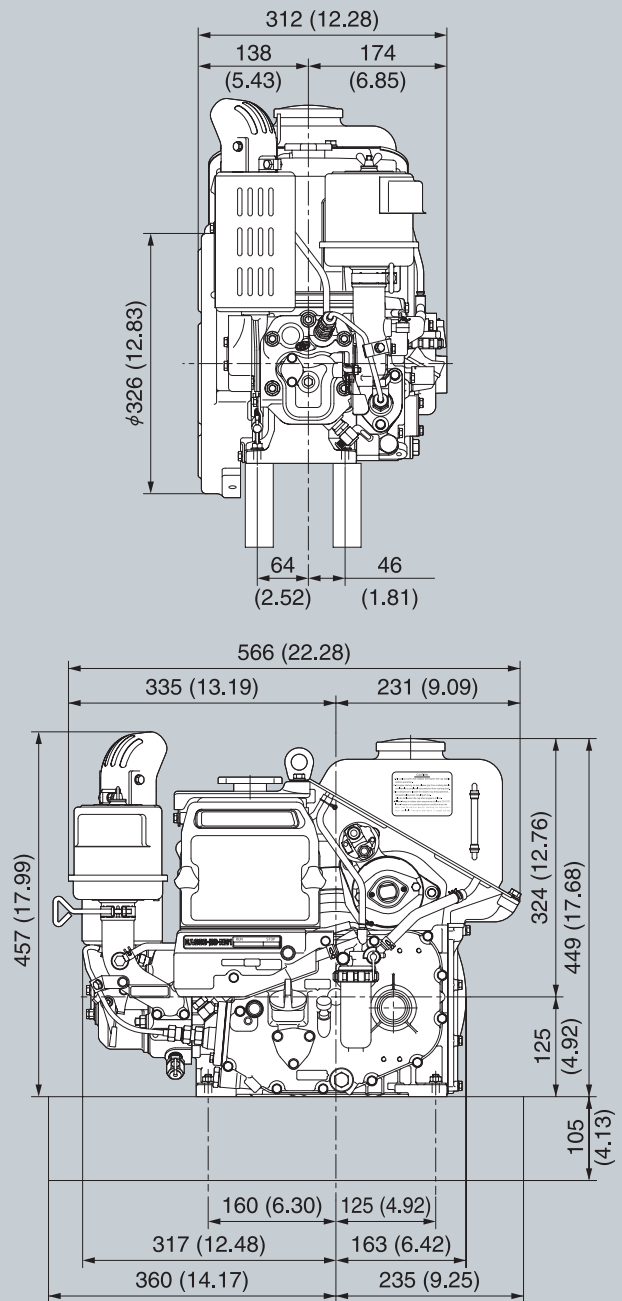
Model		EA330-E4-NB1
Emission Regulation		Tier 4
Type		Horizontal 4-cycle liquid cooled Diesel
Number of Cylinders		1
Bore	mm (in)	77 (3.03)
Stroke	mm (in)	70 (2.76)
Displacement	L (cu.in)	0.325 (19.83)
Combustion System		IDI (TVCS)
Aspiration		Naturally Aspirated
Maximum Speed	rpm	3000
Output: Net Intermittent	kW	5.15
	hp	6.9
	ps	7.0
Oil Pan Capacity	L (gal)	1.3 (0.34)
Starter Capacity	V-kW	12-0.8
Alternator Capacity	V-A	12-3.5
Length	mm (in)	566 (22.28)
Width	mm (in)	411 (16.18)
Height (1)	mm (in)	457 (17.99)
Dry Weight	kg (lb)	54 (119)

*Specification is subject to change without notice.

*Output: Net Intermittent SAE-J1349

*Dry weight is according to Kubota's standard specification.
When specification varies, the weight will vary accordingly.

DIMENSIONS



KUBOTA Engine America Corporation

505 Schelton Road, Lincolnshire, IL 60069

Phone: 847-955-2500 Fax: 847-955-2699

www.kubotaengine.com