

INDUSTRIAL DIESEL ENGINE

KUBOTA OC SERIES (1-cylinder)

OC95-E4

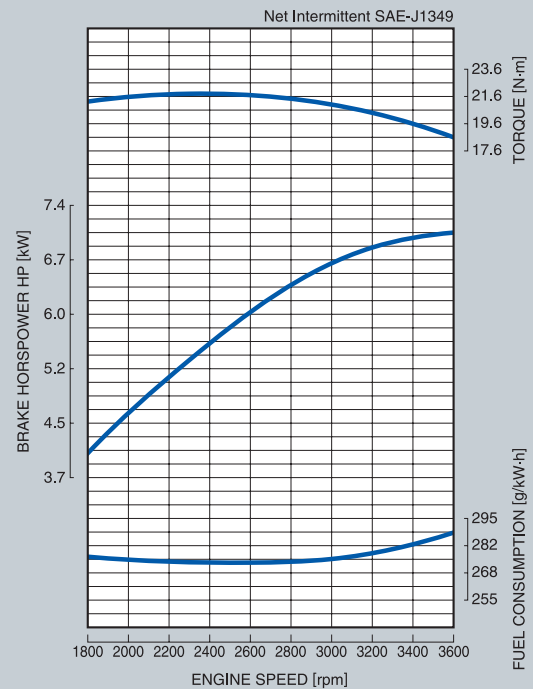
RATED POWER

7.0kW @3600rpm



Photograph may show non-standard equipment.

PERFORMANCE CURVE



FEATURES and BENEFITS

Emissions

The Kubota OC95 engine complies with EPA Tier 4 emissions regulations. These are the most stringent emissions regulations in the world in this class. Kubota engine less than 19kW also meets emission standards over the NRTC and the NTE requirements.

Durable Power

This engine offers a seamless transition from E3 to E4 by totally maintaining the same performance and physical characteristics of the former E3 engines.

Clean and Quiet Power

The Kubota OC series is a unique engine that has light-weight and compact features of an air-cooled engine together with the low noise, durability and clean exhaust emission of a water-cooled diesel engine. With ACTV (Advanced Cooling Three Vortex) system, the cylinder block is air-cooled, whereas the combustion area of the cylinder head is oil-cooled.

KUBOTA OC SERIES OC95-E4

GENERAL SPECIFICATION

Net Intermittent SAE-J1349

Model		OC95-E4
Emission Regulation		Tier 4
Type		4-cycle Oil-air cooled Diesel
Number of Cylinders		1
Bore	mm (in)	83 (3.27)
Stroke	mm (in)	77 (3.03)
Displacement	L (cu.in)	0.416 (25.39)
Combustion System		IDI (TVCS)
Aspiration		Naturally Aspirated
Maximum Speed	rpm	3600
Output: Net Intermittent	kW	7.0
	hp	9.4
	ps	9.5
Oil Pan Capacity	L (gal)	1.7 (0.44)
Starter Capacity	V-kW	12-1.2
Alternator Capacity	V-A	12-4.0
Length	mm (in)	503 (19.80)
Width	mm (in)	452 (17.80)
Height (1)	mm (in)	501 (19.72)
Dry Weight	kg (lb)	56 (123)

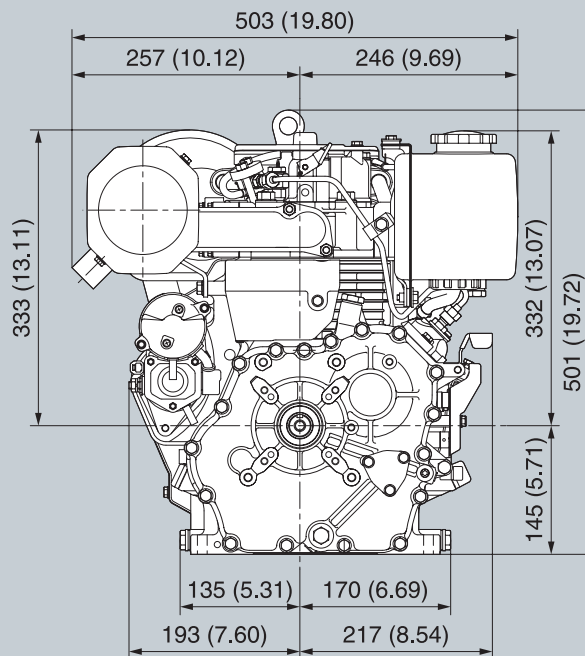
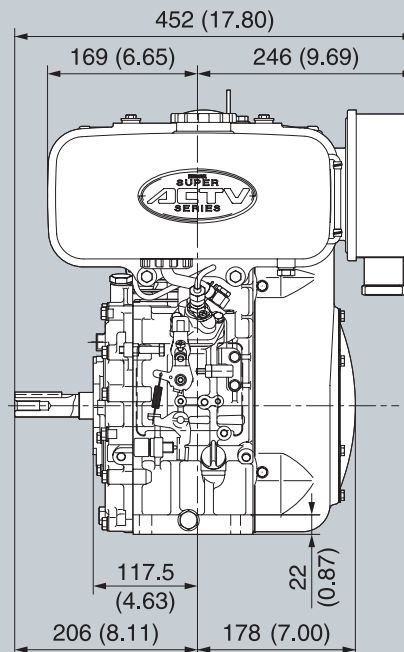
*Specification is subject to change without notice.

*Output: Net Intermittent SAE-J1349

*Dry weight is according to Kubota's standard specification.

When specification varies, the weight will vary accordingly.

DIMENSIONS



KUBOTA Engine America Corporation

505 Schelton Road, Lincolnshire, IL 60069

Phone: 847-955-2500 Fax: 847-955-2699

www.kubotaengine.com