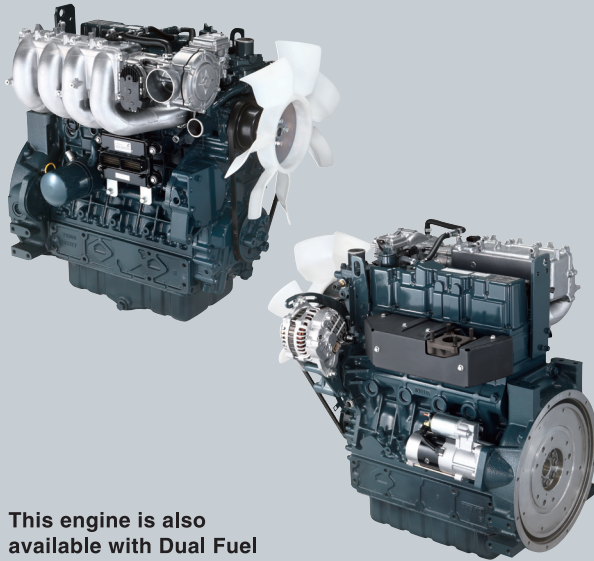


INDUSTRIAL GASOLINE/LPG/NATURAL GAS ENGINE

# KUBOTA WG SERIES (4-cylinder) WG3800-G/L/N-E3

## RATED POWER

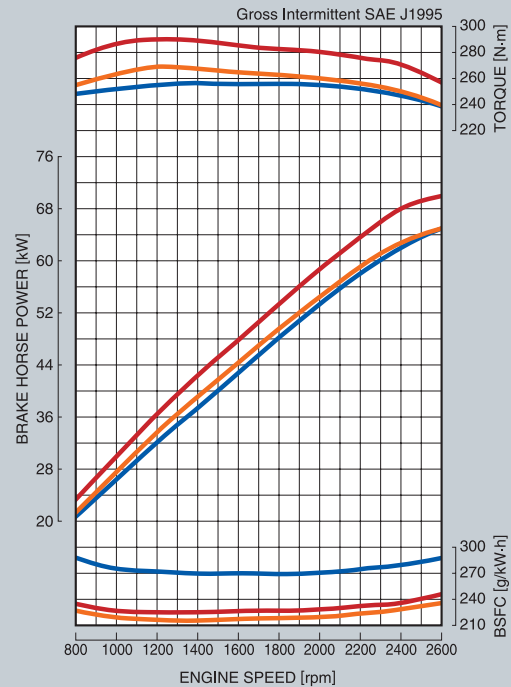
- 65.0kW @ 2600rpm(GASOLINE)
- 70.0kW @ 2600rpm(LPG)
- 65.0kW @ 2600rpm(NATURAL GAS)



This engine is also available with Dual Fuel (gasoline and LPG).

LPG Version Shown.

## PERFORMANCE CURVES



## FEATURES and BENEFITS

### Emission

Kubota's WG3800-G / L / N-E3 engine have been designed to comply with the most stringent emission regulations: EPA Tier 2 and CARB Tier 3.

### Fuel Flexibility

Installation compatibility between SI and CI engines is a good solution for customers who need fuel flexibility for their products. The Kubota WG3800 has version of not only gasoline, LPG and natural gas but also dual fuel version (gasoline and LPG) to meet the needs of customer.

### Durability and Reliability

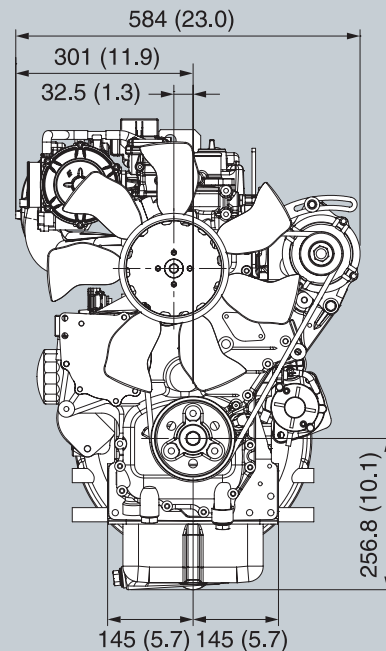
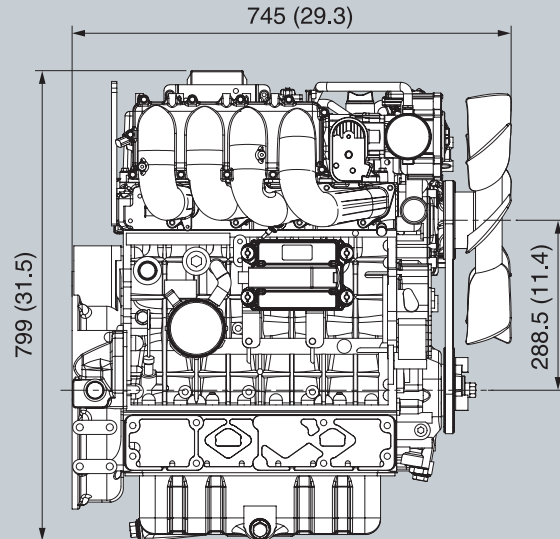
Kubota's WG3800 SI engines are designed based on Kubota V3800 diesel (CI) engines which are known worldwide as reliable industrial engines and have developed combustion chamber, fuel, and ignition system dedicated for SI engine. The new WG3800 engines offers very low vibration and is exceptionally quiet.

# KUBOTA WG SERIES WG3800-G/L/N-E3

## GENERAL SPECIFICATIONS

Model		WG3800-G-E3	WG3800-L-E3	WG3800-N-E3
Emission Regulation	EPA Tier 2, CARB Tier 3			
Type	Vertical 4-cycle Liquid Cooled Engine			
	Gasoline use	LPG use	Natural gas use	
Number of Cylinders	4			
Bore	mm (in)	100 (3.94)		
Stroke	mm (in)	120 (4.72)		
Displacement	L (cu.in)	3.769 (230.0)		
Fuel		Unleaded gasoline	Commercial LPG	Natural gas
Aspiration	Naturally Aspirated			
Maximum Speed	rpm	2600		
Output: Gross Intermittent SAE J1995	kW	65.0	70.0	65.0
	HP	87.2	93.9	87.2
	ps	88.4	95.2	88.4
Direction of Rotation	Counter clockwise viewed from flywheel side			
Oil pan capacity	L (u.s.gal)	12.2 (3.2)		
Starter Capacity	V-kW	12-2.5		
Alternator Capacity	V-A	12-100		
Length	mm (in)	745 (29.3)		
Width	mm (in)	584 (23.0)		
Height	mm (in)	799 (31.5)		
Dry Weight	kg (lb)	288 (635.0)		

## DIMENSIONS



Dual Fuel Version Shown.

\*Specification is subject to change without notice.

\*Dimensions and dry weight are according to Kubota's standard specifications. Dimensions and weight depend on completed specifications.

\*Output: Gross Intermittent SAE J1995

\*LPG: Commercial liquid propane gas only. Equivalent to propane HD-5 of GPA standards.

\*Natural gas: The performance shown is with Japanese standard natural gas.

The lower heating value: 9699 kcal/m<sup>3</sup> (1090 BTU/ft<sup>3</sup>)



## KUBOTA Engine America Corporation

505 Schelter Road, Lincolnshire, IL 60069

Phone: 847-955-2500 Fax: 847-955-2699

[www.kubotaengine.com](http://www.kubotaengine.com)