

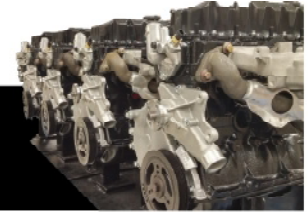


M-K POWER PRODUCTS CORP.
 3500 Laird Road, Unit 2
 Mississauga, Ontario
 L5L 5Y4

800 263-5011
 www.M-K.com

ZPP NA 428 Stand-by

4 Cylinder Inline | Naturally-Aspirated |
 2.8L - Natural Gas, Propane, Dual Fuel |



Specifications

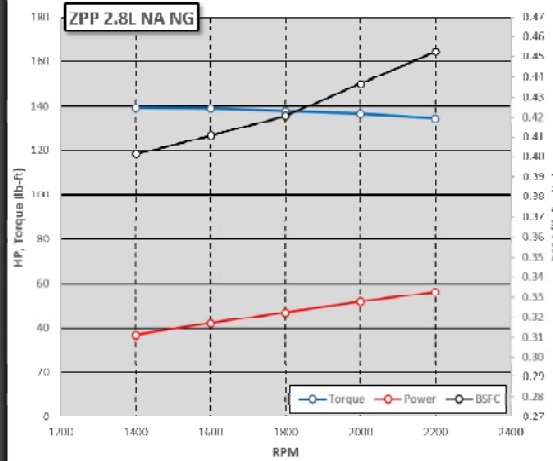
# of Cylinders	4 Inline
Operation	4-stroke
Ignition	Spark-Ignited
# of Valves	2/cylinder
Firing Order	1-3-4-2
Bore x Stroke	98.4 X 91.0 mm 3.874" x 3.583"
Displacement	2799 cc / 170.8 ci
Compression Ratio	9.5 : 1
Dry Weight	153 kg / 337 lbs
Piston Speed @ 1800 rpm	1,075 fpm
Oil Capacity	3.8 L / 4.0 qts
Electrical System	12 Volt

Standard Features

☆	US EPA Certified Emergency Use
☆	CAN bus controlled—J1939
☆	Built-in Engine Protection
☆	Built-in Autostart function
☆	Built-in Start Inhibit
☆	Cast Iron block and head

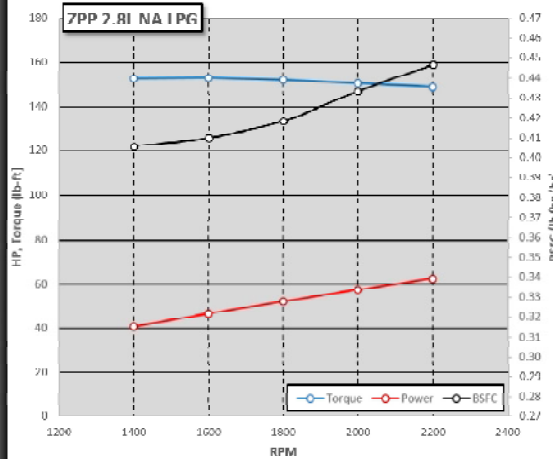
Optional Features

☆	Customer Specific Packaging
☆	Turn-Key Enclosures

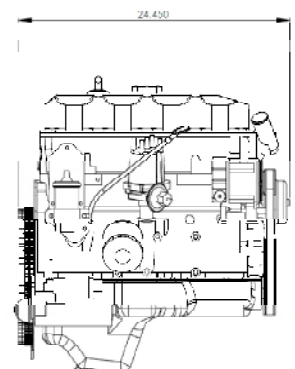
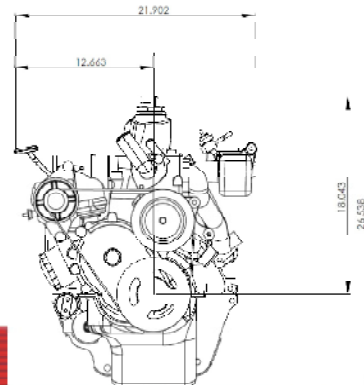


NG Net Power		
	Engine Rating (kW)	Genset Rating (kWe)
Rating	1800 rpm	60 Hz
Standby	35.3	32.5

**All data is corrected per SAE J1349
 *Performance is NET including losses from auxiliaries (alternator, fan, water pump)
 *NG is pipeline grade gas
 *LPG is commercial grade
 Electrical kW is calculated using 92% generator efficiency



LPG Net Power		
	Engine Rating (kW)	Genset Rating (kWe)
Rating	1800 rpm	60 Hz
Standby	38.9	35.8





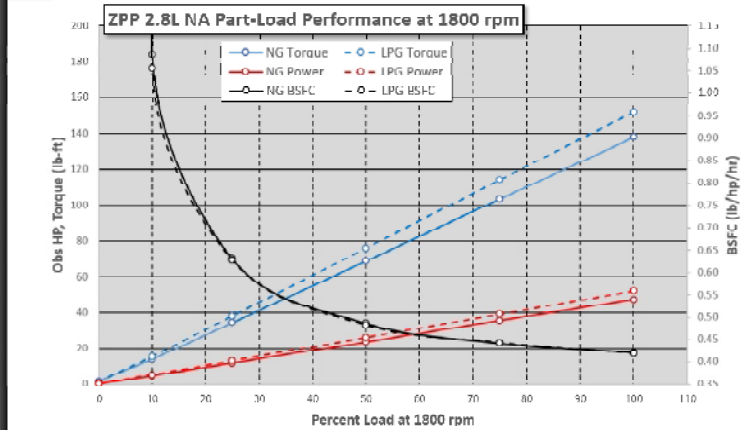
M-K POWER PRODUCTS CORP.

3500 Laird Road, Unit 2
Mississauga, Ontario
L5L 5Y4

800 263-5011
www.M-K.com

Fuel System Features

- ☆ Natural Gas, LPG, or Dual Fuel
- ☆ Air-valve Mixer based fueling
- ☆ Electronic, closed-loop control
- ☆ EPA certified to pipeline quality fuels
- ☆ Electronic Throttle body
- ☆ No catalyst required to meet emissions standards



*All data is corrected per SAE J1349

Pipeline NG

RPM	Torque ft-lbs (Nm)	Power BHP (kW)	BMEP (psi)	Fuel Flow (lb/hr)	Air Flow (lb/hr)	BSFC (lb/hp/hr)	Exhaust Outlet (F)
2200	135 (183)	56 (42)	112	23.8	352	0.453	1,436
2000	137 (185)	52 (39)	114	21.2	313	0.437	1,384
1800	138 (187)	47 (35)	115	18.5	275	0.421	1,340
1600	139 (189)	42 (32)	116	16.2	241	0.411	1,296
1400	139 (189)	37 (28)	116	13.9	208	0.402	1,268

Commercial LPG

RPM	Torque ft-lbs (Nm)	Power BHP (kW)	BMEP (psi)	Fuel Flow (lb/hr)	Air Flow (lb/hr)	BSFC (lb/hp/hr)	Exhaust Outlet (F)
2200	149 (202)	63 (47)	124	26.1	366	0.447	1,445
2000	151 (204)	57 (43)	126	23.2	327	0.434	1,400
1800	152 (206)	52 (39)	127	20.4	287	0.418	1,370
1600	153 (208)	47 (35)	127	17.8	252	0.410	1,315
1400	153 (207)	41 (30)	127	15.4	217	0.406	1,279