

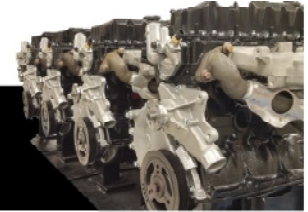


**M-K POWER PRODUCTS CORP.**  
 3500 Laird Road, Unit 2  
 Mississauga, Ontario  
 L5L 5Y4

800 263-5011  
 www.M-K.com

# ZPP TA 690

6 Cylinder Inline | Turbo-charged | Aftercooled |  
 8.8L - Natural Gas, Propane, Dual Fuel |



## Specifications

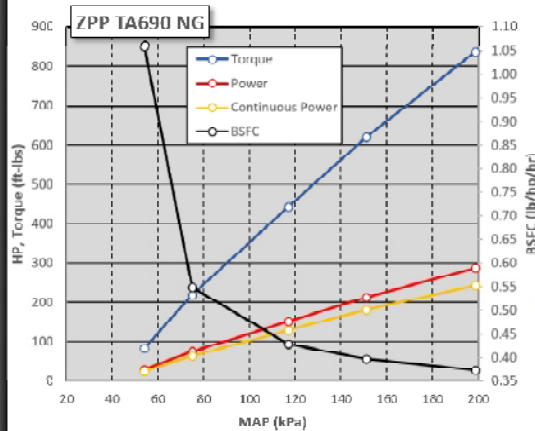
# of Cylinders	6 Inline
Operation	4-stroke
Ignition	Spark-Ignited
# of Valves	2/cylinder
Firing Order	1-5-3-6-2-4
Bore x Stroke	114 X 144 mm 4.488" x 5.669"
Displacement	8.83 L / 538.8 ci
Compression Ratio	10.5 : 1
Dry Weight	800 kg / 1760 lbs
Piston Speed @ 2300 rpm	2079 fpm
Piston Speed @ 1800 rpm	1701 fpm
Oil Capacity	20.8 L / 22.0 qts
Electrical System	Combined 12/24 Volt

## Standard Features

☆	US EPA Certified
☆	CAN bus controlled—J1939
☆	Full Built-in Engine Protection
☆	SAE #2 Housing
☆	SAE 11.5" Flywheel
☆	Replaceable Dry Liners

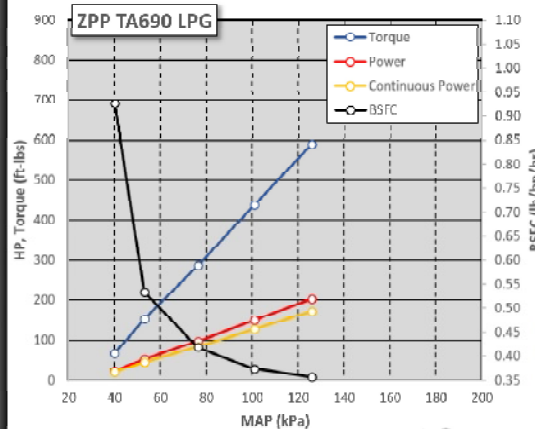
## Optional Features

☆	Customer Specific Packaging
☆	Turn-Key Enclosures



	Industrial Rating (bHP)	Genset Rating (kWe)
<b>Rating</b>	<b>1800 rpm</b>	<b>60 Hz</b>
Intermittent	287	197
Prime	258	177
Continuous	244	167

\*All data is corrected per SAE J1349  
 \*Performance is NET including losses from auxiliaries (alternator, fan, water pump)  
 \*NG is pipeline grade gas  
 \*LPG is Commercial grade  
 \* Electrical KW is calculated using 92%



	Industrial Rating (bHP)	Genset Rating (kWe)
<b>Rating</b>	<b>1800 rpm</b>	<b>60 Hz</b>
Intermittent	202	139
Prime	182	125
Continuous	172	118





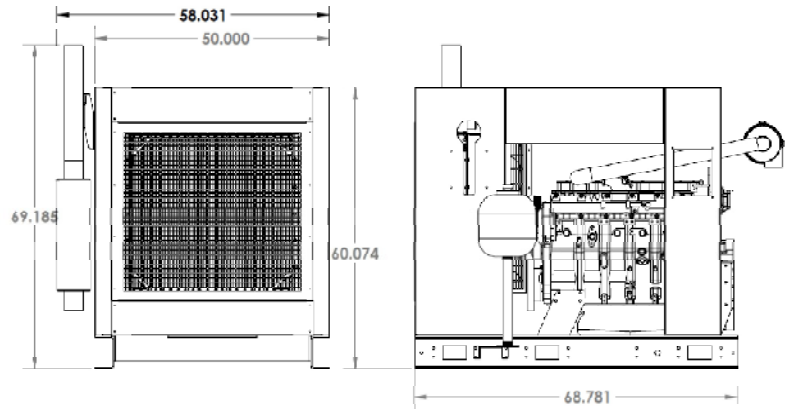
**M-K POWER PRODUCTS CORP.**

3500 Laird Road, Unit 2  
Mississauga, Ontario  
L5L 5Y4

800 263-5011  
www.M-K.com

### Fuel System Features

- ☆ Natural Gas, LPG, or Dual Fuel
- ☆ Air-valve Mixer based fueling
- ☆ Electronic, closed-loop control
- ☆ EPA certified to pipeline quality fuels
- ☆ Electronic Throttle body
- ☆ Inline catalyst provided with engine



*\*All data is corrected per SAE J1349*

NG/LPG

Fuel	RPM	Torque ft-lbs (Nm)	Power bHP (kW)	BMEP (psi)	Fuel Flow (lb/hr)	Air Flow (lb/hr)	BSFC (lb/hp/hr)	Exhaust Outlet (°F)
NG	1800	837 (1135)	287 (214)	235	107.0	1755	0.373	1,420
LPG	1800	590 (800)	202 (151)	165	72.0	1128	0.356	1,163