

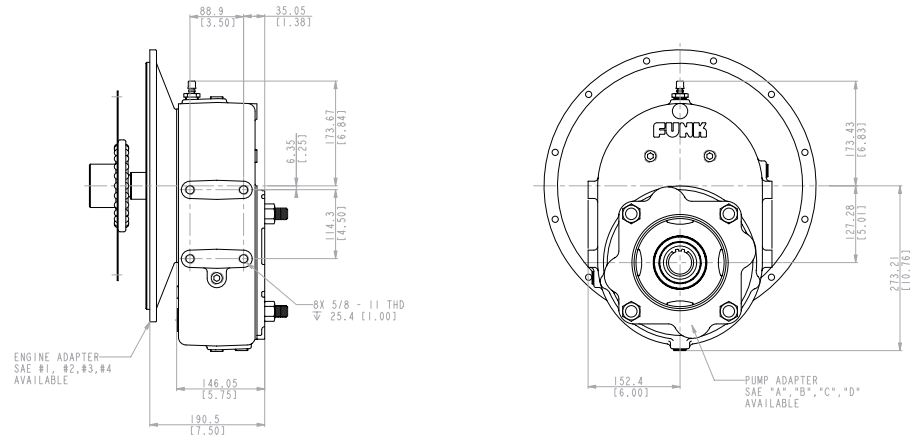
# Funk™ Series 28000

## 28000 Single Pump Drive

Industrial Drivetrain Specifications



### Dimensions



### Ratings

Max power	242 kW (325 hp)
Max input torque	780 Nm (575 lb-ft)
Max output torque	780 Nm (575 lb-ft)
Max input/output speed	3000 rpm

### Gear ratios

28000 single and double - 5 in (127 mm)						
.628:1	.71:1	.89:1	1:1	1.12:1	1.41:1	1.592:1

### General data

Type	Single
Gear Centers	5"
Approximate dry weight	50-80 kg (110-175 lb)
Pump rotation	Anti-enginewise
Flywheel covers	2, 3, or 4
Nominal clutch size	254 mm (10 in) or 292.1 mm (11.5 in)
Oil capacity	JDM J20C specification
Oil type	MIL-L-2015C or API classification GI-5

### Features and benefits

#### Perfect fit

- With more than 5,000 pump drive configurations up to 708 kW (950 hp), we are sure to have the pump drive that meets your needs. Our application engineers provide support to help you choose the best pump drive for your application.

#### Fast service

- Whether you need a new pump drive or service support on an existing drive, our modular assembly system and experienced regional distribution network lets us get you what you need fast.

#### High quality

- We use the latest manufacturing technology to ensure we deliver the highest quality products for you.

#### Integration support

- Getting the most out of your equipment depends on close integration between all components. Our application experts can help integrate your entire system from the engine to the pump drives, powershift transmissions, HMD transmissions, planetary drives, and inboard planetary axles.

#### John Deere Power Systems

3801 W. Ridgeway Ave.  
PO Box 5100  
Waterloo, IA 50704-5100  
Phone: 800.553.6446  
Fax: 319.292.5075

*Photographs may show non-standard equipment.*

*Specifications and design subject to change without notice. Ratings may vary depending on application and service. Application and installation are subject to review by John Deere.*