

ILLUSTRATED PARTS LIST  
LISTE DES PIÈCES

# Kubota

MODEL **GL11000-CAN**  
MODELE

GENERATOR  
GENERATEUR



M-K Power Products Corp.  
3500 Laird Road, Unit 2  
Mississauga, Ontario L5L 5Y4

PARTS - SALES - SERVICE - SOLUTIONS  
800-263-5011 / [www.M-K.com](http://www.M-K.com) / [parts@m-k.com](mailto:parts@m-k.com)

# CONTENTS

---

## [D722-E2B-SEC-3]

0001	CRANK CASE	1
0002	OIL PAN	2
0003	CYLINDER HEAD	3
0004	GEAR CASE	4
0005	HEAD COVER	6
0006	OIL FILTER	7
0007	DIPSTICK AND GUIDE	8
0008	OIL PUMP	9
0100	MAIN BEARING CASE	10
0101	CAMSHAFT AND IDEL GEAR SHAFT	11
0102	PISTON AND CRANKSHAFT	12
0103	FLYWHEEL	14
0105	FUEL CAMSHAFT AND GOVERNOR SHAFT	15
0180	ENGINE STOP LEVER	16
0201	STOP SOLENOID	17
0202	INJECTION PUMP	18
0205	SPEED CONTROL PLATE	19
0206	NOZZLE HOLDER AND GLOW PLUG	20
0207	NOZZLE HOLDER (COMPONENT PARTS)	21
0212	FORK LEVER (GOVERNOR)	23
0301	FUEL PUMP (MECHANICAL)	24
0404	STARTER	25
0405	STARTER (COMPONENT PARTS)	26
0406	OIL SWITCH AND THERMOMETER AND PLUG	27
0500	WATER FLANGE AND THERMOSTAT	28
0501	WATER PUMP	29
0503	WATER PIPE	30
0504	FAN	31
0506	TENSION PULLEY	32
0600	VALVE AND ROCKER ARM	33
0601	INLET MANIFOLD	34
0602	EXHAUST MANIFOLD	35
0903	PISTON KIT	36

## [GL11000-CAN]

A001	COOLING FAN	37
A002	GENERATOR	38
A003	CONTROL PANEL	40
A004	TERMINAL	42
A005	BATTERY	43
A006	COMMON BASE	44
A007	CENTER BEAM	45
A008	FRONT FRAME	46
A009	REAR FRAME	47
A010	ROOF	48
A011	CHECK DOOR	49
A012	DRAIN PIPE (OIL)	50
A013	AIR CLEANER	51
A014	INLET PIPE	52
A015	MUFFLER	53

A016	FUEL TANK	54
A017	FUEL FILTER	55
A018	RADIATOR	56
A019	WATER HOSE	57
A020	RESERVE TANK	58
A021	ACCESSORIES	59
A022	MANUAL AND LABEL	60
■	NUMERICAL INDEX	61

# SOMMAIRE

---

## [D722-E2B-SEC-3]

0001	BLOC MOTEUR .....	1
0002	CARTER D' HUILE .....	2
0003	CULASSE .....	3
0004	CARTER DE DISTRIBUTION .....	4
0005	COUVRE-CULASSE .....	6
0006	FILTRE D' HUILE .....	7
0007	JAUGE D' HUILE ET GUIDE .....	8
0008	POMPE D' HUILE .....	9
0100	PALIER DE VILEBREQUIN .....	10
0101	ARBRE A CAMES .....	11
0102	PISTON ET VILEBREQUIN .....	12
0103	VOLANT MOTEUR .....	14
0105	ARBRE A CAMES DE CARBURANT .....	15
0180	LEVIER D' ARRET DU MOTEUR .....	16
0201	SOLENOIDE D' ARRET .....	17
0202	POMPE D' INJECTION .....	18
0205	PLAQUE DE VITESSE-CONTROLE .....	19
0206	PORTE-INJECTEUR ET BOUGIE DE PRECHAUFFAGE .....	20
0207	PORTE-INJECTEUR (PARTIES COMPOSANTES) .....	21
0212	LEVIER A FOURCHE .....	23
0301	POMPE D' ALIMENTATION (MECHANIQUE) .....	24
0404	DEMARREUR .....	25
0405	DEMARREUR (PARTIES COMPOSANTES) .....	26
0406	CONTACT A HUILE ET OBTURATEUR .....	27
0500	BRIDE A EAU ET THERMOSTAT .....	28
0501	POMPE A EAU .....	29
0503	TUYAU D' EAU .....	30
0504	VENTILATEUR .....	31
0506	POULIE DE TENSION .....	32
0600	SOUPAPES ET CULBUTEURS .....	33
0601	COLLECTEUR D' ADMISSION .....	34
0602	COLLECTEUR D' ECHAPPEMENT .....	35
0903	PISTON COMPLET .....	36

## [GL11000-CAN]

A001	VENTILATEUR. REFROIDI .....	37
A002	GENERATEUR .....	38
A003	PLAQUE .....	40
A004	BORNE .....	42
A005	BATTERIE .....	43
A006	TEBLE COMPLETE .....	44
A007	POUTRE .....	45
A008	CHASSIS D' AVANT .....	46
A009	CHASSIS D' ARRIERE .....	47
A010	TOIT .....	48
A011	VERIFIEZ LA PORTE .....	49
A012	TUYAU DE VIDANGE .....	50
A013	FILTRE A AIR .....	51
A014	TUYAU D' ADMISSION .....	52

A015	SILENCIEUX .....	53
A016	RESERVOIR .....	54
A017	FILTRE A CARBURANT .....	55
A018	RADIATEUR .....	56
A019	TUYAU D' EAU .....	57
A020	RESERVOIR .....	58
A021	ACCESSOIRES .....	59
A022	ETIQUETTE ET MANUEL DE L' UTILISATEUR .....	60
■	INDEX NUMERIQUE .....	61

# ALPHABETICAL INDEX

MODEL : GL11000-CAN

PART NAME	PAGE	PART NAME	PAGE
-A-		DIPSTICK .....	8
AIR CLEANER .....	51	DUST PROOF RUBBER .....	44
AIR CLEANER [COMPONENT PARTS] .....	51		56
AIR CLEANER CASE .....	51	DYNAMO [COMPONENT PARTS] .....	38
AIR CLEANER ELEMENT .....	51	-E-	
	55	ENGINE BRACKET .....	44
AIR CLEANER ELEMENT, INNER .....	51	ENGINE HOOK .....	3
AIR FILTER .....	51	ENGINE STOP LEVER .....	16
	55		19
AIR FILTER, INNER .....	51	ENGINE STOP SOLENOID .....	17
ALTERNATOR [COMPONENT PARTS] .....	38	EXHAUST MANIFOLD .....	35
-B-		EXHAUST MANIFOLD GASKET .....	35
BATTERY CABLE .....	43	EXHAUST PIPE .....	53
BATTERY GROUND CABLE .....	43	EXHAUST VALVE .....	33
BEARING CASE COVER .....	10	EXHAUST VALVE GUIDE .....	3
BELL HOUSING .....	14	-F-	
BELT .....	31	FAN .....	39
BREAKER .....	40	FAN BELT DRIVE PULLEY .....	31
BREATHER PIPE .....	34	FAN PULLEY .....	31
BREATHER TUBE .....	6	FLYWHEEL .....	14
-C-		FLYWHEEL HOUSING .....	14
CAM GEAR .....	11	FORK LEVER .....	23
CAMSHAFT .....	11	FRAME .....	26
CAMSHAFT IDLE GEAR .....	11	FRONT AXLE MOUNT .....	26
CAP, FUEL TANK .....	14		38
	16	FUEL CAMSHAFT .....	15
	19		15
	58	FUEL FILTER .....	55
CARTRIDGE, OIL FILTER .....	54	FUEL FILTER [COMPONENT PARTS] .....	55
CONDENSER .....	38		55
CONNECTING ROD .....	12	FUEL HOSE .....	18
CONNECTING ROD BEARING .....	12	FUEL PUMP .....	24
CONNECTOR .....	38	FUEL PUMP COVER .....	24
CONTROL LEVER, OPERATING .....	26	FUEL TANK .....	54
CONTROL VALVE [COMPONENT PARTS] .....	40	FUEL TANK CAP .....	14
COOLING FAN .....	37		16
CRANKCASE .....	1		58
CRANKPIN METAL .....	12	FUEL TUBE .....	54
	12		57
	12	FUSE .....	38
CRANKSHAFT .....	12		42
	12	FUSE BOX .....	40
	12	-G-	
CRANKSHAFT GEAR .....	12	GASKET, CYLINDER HEAD .....	3
CRANKSHAFT METAL .....	12		36
	12	GASKET, EXHAUST MANIFOLD .....	35
	12	GASKET, INTAKE MANIFOLD .....	34
CYLINDER HEAD .....	3	GASKET, MUFFLER .....	35
CYLINDER HEAD COVER .....	6		53
	6	GEAR CASE .....	4
CYLINDER HEAD COVER GASKET .....	6	GEAR CASE GASKET .....	4
CYLINDER HEAD GASKET .....	3	GLOW LAMP TIMER .....	42
	36	GLOW PLUG .....	20
-D-			
DECALS .....	51		
	60		

# ALPHABETICAL INDEX

MODEL : GL11000-CAN

PART NAME	PAGE	PART NAME	PAGE
GLOW PLUG CORD.....	20	NOISE ABSORBER.....	46
GLOW RELAY.....	42		56
GOVERNOR.....	19	NOZZLE HOLDER.....	20
	23		20
GOVERNOR ADJUSTING BOLT.....	16	NOZZLE HOLDER[COMPONENT PARTS].....	21
GOVERNOR CASE.....	15		21
GOVERNOR LEVER.....	19	-O-	
-H-		OIL DRAIN PLUG.....	1
HEAD COVER GASKET.....	6		3
HEAD GASKET.....	3		4
	36		18
HOOR METER.....	40		27
HYDRAULIC COUPLER HOSE.....	58		50
HYDRAULIC OIL FILTER.....	54		54
HYDRAULIC OIL LINE.....	58		57
-I-		OIL FILLER PLUG.....	2
IDLE APPARATUS.....	16		6
IDLE GEAR.....	11	OIL FILTER.....	2
IDLE GEAR SHAFT.....	11	OIL GAUGE.....	8
IGNITION SWITCH.....	40	OIL GAUGE GUIDE.....	8
INJECTION PIPE.....	20	OIL PAN.....	2
INJECTION PUMP.....	18	OIL PAN GASKET.....	2
INJECTION PUMP GEAR.....	15	OIL PRESSURE SENDING UNIT.....	27
INLET VALVE.....	33	OIL PUMP.....	9
INSTRUCTION MANUAL.....	60	OIL SEAL.....	4
INTAKE HOSE.....	52		10
INTAKE MANIFOLD.....	34	OIL SWITCH.....	27
INTAKE MANIFOLD GASKET.....	34	OPERATOR'S MANUAL.....	60
INTAKE VALVE.....	33	-P-	
INTAKE VALVE GUIDE.....	3	PARKING BRAKE LEVER.....	26
-K-		PISTON.....	12
KUBOTA LABEL.....	60		36
-L-		PISTON AND RING KIT.....	36
LABEL.....	60	PISTON PIN.....	12
LABELS.....	51	PISTON PIN BUSH.....	12
	60	PISTON RING.....	12
-M-			36
MAGNETIC SWITCH.....	26	PROTECTOR.....	40
MAIN BEARING.....	12	PULLEY, TENSION.....	32
MAIN BEARING CASE.....	10	PUSH ROD.....	11
MAIN SWITCH.....	40		21
MANIFOLD GASKET, EXHAUST.....	35	-R-	
MANIFOLD GASKET, INTAKE.....	34	RADIATOR.....	56
MANIFOLD, EXHAUST.....	35	RADIATOR CAP.....	57
MANIFOLD, INLET.....	34		58
MUFFLER.....	53	RADIATOR HOSE.....	30
MUFFLER GASKET.....	35		30
	53	REAR AXLE MOUNT.....	26
MUFFLER PIPE.....	53	RECEPTACLE.....	40
-N-		REGULATOR.....	42
		RELAY.....	42
		RESERVE TANK.....	58
		RING GEAR.....	14
		ROCKER ARM.....	33
		ROCKER ARM SHAFT.....	33

# ALPHABETICAL INDEX

MODEL : GL11000-CAN

PART NAME	PAGE	PART NAME	PAGE
-S-		WHEEL BOLT .....	11
SPEED CONTROL LEVER .....	19		14
SPEED CONTROL PLATE .....	19		15
	19		19
	19		23
STARTER .....	25		24
	26		25
STARTER SWITCH .....	40		28
	40		29
STARTER [COMPONENT PARTS] .....	26		31
STOP SOLENOID .....	17		33
SWITCH, STARTER .....	40		34
			35
-T-			38
			40
TAPPET .....	11		41
TEMPERATURE SENDING UNIT .....	28		42
TENSION PULLEY .....	31	WHEEL LUG NUT .....	4
	32		16
	32		18
THERMOMETER SWITCH .....	28		19
THERMOSTAT .....	28		21
THERMOSTAT COVER .....	28		25
TIMER .....	42		26
			32
-U-			33
			35
UNLOADER VALVE .....	51		40
			53
-V-		WHEEL STUD .....	4
VALVE COVER .....	6		18
	6		30
VALVE GUIDE .....	3		35
VALVE SPRING .....	33		39
	55	WIRING HARNESS .....	39
VALVE, EXHAUST .....	33		42
VALVE, INTAKE .....	33		44
VALVE, UNLOADER .....	51		
-W-			
WATER FLANGE .....	28		
WATER FLANGE GASKET .....	28		
WATER HOSE .....	30		
	57		
WATER PIPE .....	30		
	30		
	57		
WATER PUMP .....	29		
WATER PUMP FLANGE .....	29		
WATER RETURN HOSE .....	6		
	28		
	29		
WHEEL BOLT .....	2		
	3		
	4		
	5		
	6		
	9		
	10		

# INDEX ALPHABETIQUE

MODELE : GL11000-CAN

DESIGNATION	PAGE	DESIGNATION	PAGE
-A-		CONTACTEUR A CLE.....	40
ALTERNATEUR [PARTIES COMPOSANTES].....	38	COURONNE DE DEMARREUR.....	14
ANNEAU DE LEVAGE.....	3	COURROIE.....	31
ARBRE A CAMES.....	11	COUSSINET DE BIELLE.....	12
	15		12
	15	COUSSINET DE VILEBREQUIN.....	12
ARBRE DE PIGNON FOU.....	11		12
AXE D'ACCELERATEUR.....	19	COUV. THERMOSTAT.....	28
AXE DE CULBUTEUR.....	33	COUVERCLE DE CULASSE.....	6
AXE DE PISTON.....	12		6
-B-		COUVERCLE DE POMPE D'ALIMENTATION.....	24
BAGUE DE BIELLE.....	12	CULASSE.....	3
BAGUE JOINT.....	4	CULBUTEUR.....	33
	10	CUVETTE DE BILLES.....	15
	12	-D-	
BIELLE.....	12	DEMARREUR.....	25
BIELLE METAL.....	12		26
BLOC MOTEUR.....	1	DEMARREUR [PARTIES COMPOSANTES].....	26
BOITE DE FUSIBLE.....	40	DISPOSITIF RALENT.....	16
BOUCHON DE RADIATEUR.....	57	DISTRIBUTEUR [PARTIES COMPOSANTES].....	40
	58	-E-	
BOUCHON DE RESERVOIR A CARBURANT.....	14	ECROU DE ROUE.....	4
	16		16
	19		18
	54		19
	58		21
BOUCHON DE VIDANGE.....	1		25
	3		26
	4		32
	18		33
	27		35
	50		40
	54		53
	57	ELECTROAIMANT.....	17
BOUCHON REMPLIS HUILE.....	2	ELEMENT DE FILTRE A AIR.....	51
	6		55
BOUGIE DE PRECHAUFFAGE.....	20	ELEMENT D'INJECTEUR.....	21
BRIDE A EAU.....	28	ENGRE, POMPE D'INJECTION.....	15
BRIDE DE POMPE A EAU.....	29	ETIQUETTE.....	51
BRUIT AMORTISSEUR.....	46		60
	56		60
-C-		ETIQUETTE-KUBOTA.....	60
CABLE DE BATTERIE.....	43	-F-	
CABLE DE TERRE.....	43	FIL DE BOUGIE PRECHAUFFAGE.....	20
CAOUTCHOUC A POUSSIERE.....	44	FILTRE A AIR.....	51
	56	FILTRE A AIR [PARTIES COMPOSANTES].....	51
CARTER DE DISTRIBUTION.....	4	FILTRE A CARBURANT.....	55
CARTER DE VOLANT MOTEUR.....	14	FILTRE A CARBURANT [PARTIES COMPOSANTES].....	55
CARTER D'HUILE.....	2		55
CARTOUCHE D'HUILE.....	54	FILTRE D'HUILE.....	2
CHASSIS.....	26		54
CIRCUIT HYDRAULIQUE.....	58	FUSIBLE.....	38
COLLECTEUR D'ADMISSION.....	34		42
COLLECTEUR D'ECHAPPEMENT.....	35		59
COMPTEUR D'HEURES.....	40		
CONDENSATEUR.....	38		
CONNECTEUR.....	38		
CONTACTEUR A CLE.....	40		

# INDEX ALPHABETIQUE

MODELE : GL11000-CAN

DESIGNATION	PAGE	DESIGNATION	PAGE
-G-		PISTON.....	12
GOUJON FILETE DE ROUE.....	4	PLATEAU DE LIMITEUR DE VITESSE.....	36
	18		19
	30	POMPE A EAU.....	29
	35	POMPE A HUILE.....	9
GUIDE DE JAUGE A HUI.....	8	POMPE D' ALIMENTATION.....	24
GUIDE DE SOUP. D' ADMISS.....	3	POMPE D' INJECTION.....	18
GUIDE DE SOUP. D' ECHAP.....	3	PORTE JOINT.....	10
GUIDE DE SOUPAPE.....	3	PORTE-INJECTEUR.....	20
			20
-H-			21
HARNESS DE FIL.....	39	PORTE-INJECTEUR[PARTIES COMPOSANTES].....	21
	42	POULIE DE ENTRAIN VENTILATEUR.....	31
	44	POULIE DE TENSION.....	31
			32
-I-			32
INTERRUPTEUR THERMOMET.....	28	POULIE DE VENTILATEUR.....	31
		POUSSOIR.....	11
-J-		-R-	
JAUGE DE NIVEAU.....	8	RADIATEUR.....	56
JEU DE PISTON ET DE SEGMENTS.....	36	REFROIDISSEMENT VENTILATEUR.....	37
JOINT COUVRE-CULASSE.....	6	REGULATEUR.....	42
JOINT DE BRIDE.....	28	REGULATEUR DE VITESSES.....	19
JOINT DE CARTER DISTR.....	4		23
JOINT DE COLLECTEUR ADMISSION.....	34	RELAIS.....	42
JOINT DE COLLECTEUR ECHAPMENT.....	35	RELAIS DE PRECHAUFFAGE.....	42
JOINT DE COUVERCLE CULASSE.....	6	RESERVOIR A CARBURANT.....	54
JOINT DE CULASSE.....	3	RESSORT DE SOUPAPE.....	33
	36		55
JOINT DE SILENCIEUX.....	35	-S-	
	53	SILENCIEUX.....	53
JUE DE SEGMENTS.....	12	SOLENOIDE D' ARRET.....	17
	36	SOUPAPE COUVERCLE.....	6
-L-		SOUPAPE D' ADMISSION.....	33
LEVIER A FOURCHE.....	23	SOUPAPE DE DERIVATIO.....	51
LEVIER D' ARRET.....	19	SOUPAPE D' ECHAPMENT.....	33
LEVIER D' ARRET DU MOTEUR.....	16	SUPPORT DE MOTEUR.....	44
LEVIER DE COMMANDE.....	26	-T-	
LEVIER DE VIT-CONTROL.....	19	TEMPORISATEUR.....	42
-M-		THERMOSTAT.....	28
MAGNETIQUE DE INTERRUPEUR.....	26	TIGE DE POUSSOIR.....	11
MANO CONTACT D' HUILE.....	27		21
MANUEL D' INSTRUCTION.....	60	TUBE D' ASPIRATEUR.....	6
-P-		TUBE DE CARBURANT.....	54
PALIER.....	26		57
	38	TUYAU BY-PASS.....	6
PALIER DE VILEBREQUIN.....	10		28
PALIER PRINCIPAL.....	12	TUYAU CARBURANT.....	18
PIGNON DE CAMES.....	11	TUYAU DE REINFLARD.....	34
PIGNON DE FOU.....	11	TUYAU DE SILENCIEUX.....	53
PIGNON DE VILEBREQUIN.....	12	TUYAU D' EAU.....	30
			30
			57



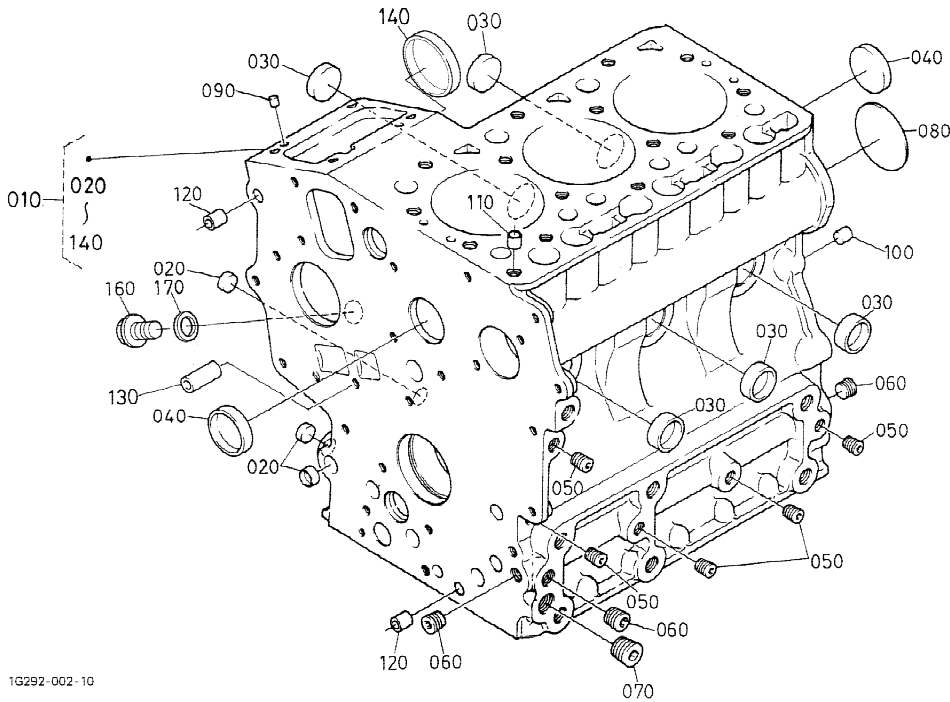
# INDEX ALPHABETIQUE

MODELE : GL11000-CAN

DESIGNATION	PAGE	
TUYAU D' ECHAPPEMENT.....	53	
TUYAU D' INJECTEUR.....	20	
TUYAU HYDRAULIQUE.....	58	
-V-		
VASE D' EXPANSION.....	58	
VENTILATEUR.....	39	
VILEBREQUIN.....	12	
	12	
VIS DE REGLAGE DE VITESSE.....	16	
VIS DE ROUE.....	2	
	3	
	4	
	5	
	6	
	9	
	10	
	11	
	14	
	15	
	19	
	23	
	24	
	25	
	28	
	29	
	31	
	33	
	34	
	35	
	38	
	40	
	41	
	42	
	44	
VOLANT MOTEUR.....	14	

0001

CRANK CASE
BLOC MOTEUR

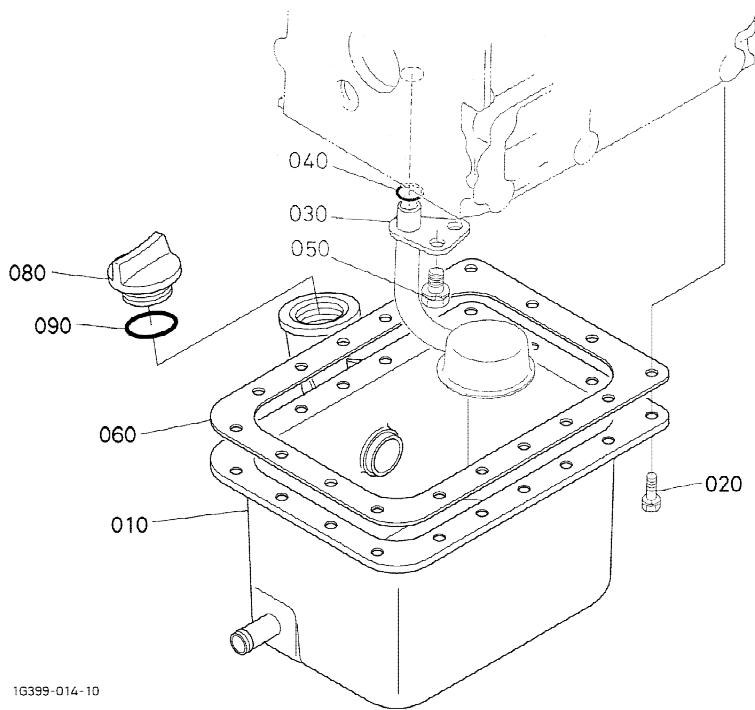


1G292-002-10

A:D722-E2B-SEC-3

Table with 7 columns: REF. No. POS. No., PART No. REFERENCE, PART NAME, DESIGNATION, QTY/S. No. QTE/No. S. (subdivided into A and B), I. C., and REMARKS/REMARQUES. It lists 17 parts including components like COMP. CRANKCASE, CAP. SEALING, PLUG, and PIN, PIPE.

(↔) Interchangeable: ≠ not interchangeable: ← new for old: → old for new

**0002****OIL PAN  
CARTER D' HUILE**

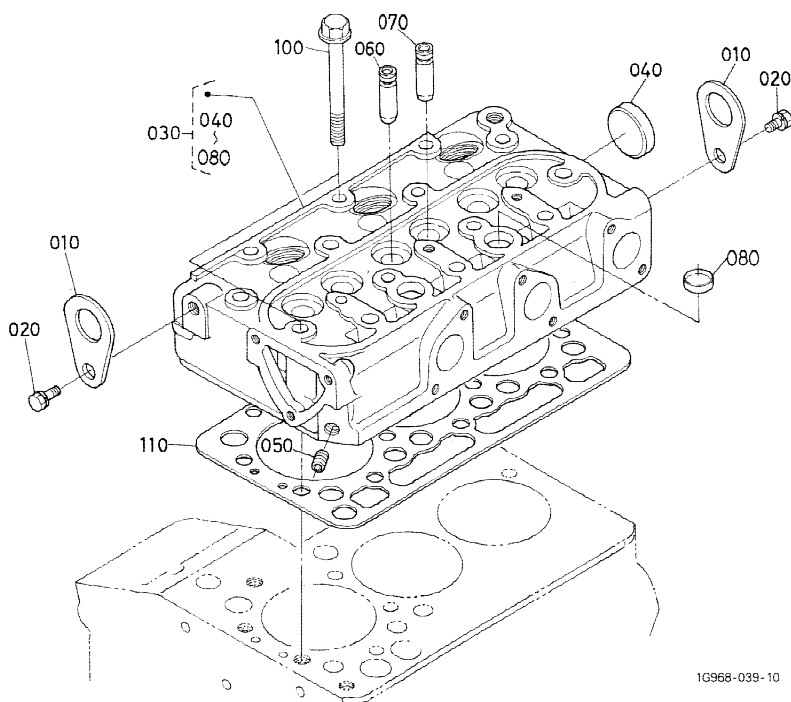
A: D722-E2B-SEC-3

REF. No. POS. No.	PART No. REFERENCE	PART NAME	DESIGNATION	Q' TY/S. No. Q' TE/No. S.		I. C.	REMARKS REMARQUES
				A	B		
010	125010010396	COMP. OIL PAN	CARTER D' HUILE COMP.	1	-		
020	125010000002	BOLT	VIS	18	-		
030	125010006890	FILTER, OIL	FILTRE D' HUILE	1	-		
040	125010000682	O RING	JOINT TORIQUE	1	-		
050	125010000113	BOLT	VIS	1	-		
060	125010007581	GASKET, OIL PAN	JOINT	1	-		
070	----	BLANK	BLANC	-	-		
080	125010015652	PLUG, OIL FILLER	BOUCHON, REMPLIS. H/L	1	-		
090	125010000703	O RING	JOINT TORIQUE	1	-		

↔ Interchangeable: ≠ not interchangeable: ← new for old: → old for new

# 0003

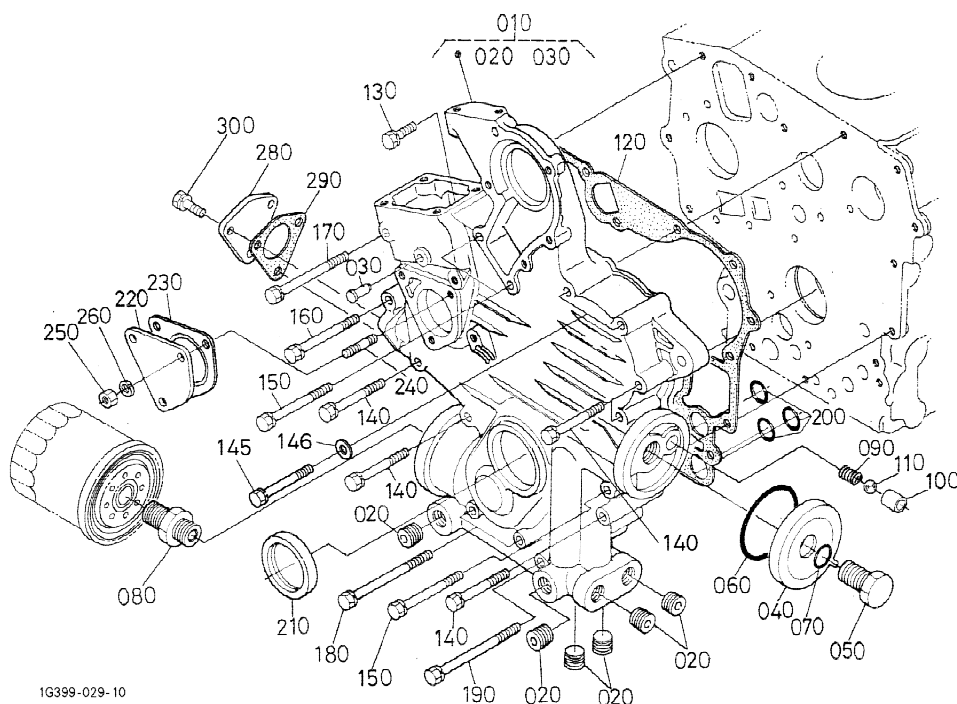
# CYLINDER HEAD CULASSE



A: D722-E2B-SEC-3

REF. No. POS. No.	PART No. REFERENCE	PART NAME	DESIGNATION	Q' TY/S. No. Q' TE/No. S.		I. C.	REMARKS REMARQUES
				A	B		
010	125010003472	HOOK, ENGINE	ANNEAU DE LEVAGE	2	-		
020	125010000114	BOLT	VIS	2	-		
030	125010012438	COMP. CYLINDER HEAD	CULASSE COMPLET	1	-		
040	125010003988	CAP, SEALING	PASTILLE	1	-		
050	125010003815	PLUG	BOUCHON	1	-		
060	125010005049	GUIDE, INLET VALVE	GUIDE SOUP. D' ADMISS.	3	-		
070	125010005050	GUIDE, EXHAUST VALVE	GUIDE SOUP. D' ECHAP.	3	-		
080	125010003707	CAP, SEALING	PASTILLE	2	-		
090	---	BLANK	BLANC	-	-		
100	125010003004	BOLT, CYLINDER HEAD	VIS DE CYLINDRE	14	-		
110	125010007011	GASKET, CYLINDER HEAD	JOINT	1	-		

# 0004 GEAR CASE CARTER DE DISTRIBUTION



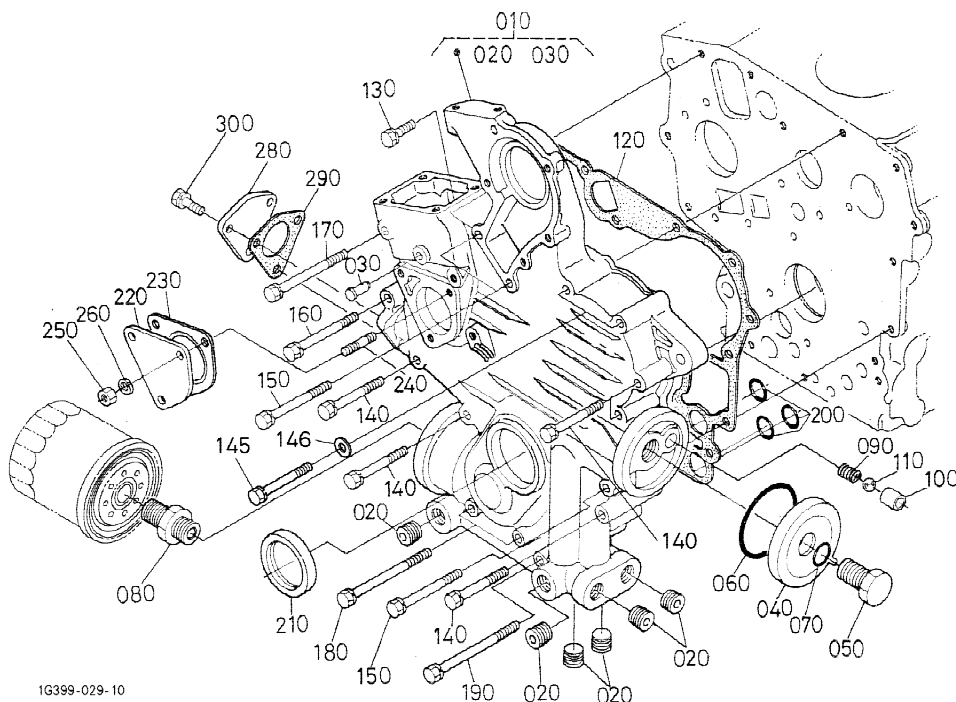
1G399-029-10

A:D722-E2B-SEC-3

REF. No. POS. No.	PART No. REFERENCE	PART NAME	DESIGNATION	Q' TY/S. No. Q' TE/No. S.		I. C.	REMARKS REMARQUES
				A	B		
010	125010035949	COMP. CASE, GEAR	CARTER DISTR. COMP.	1	-		
020	125010004594	PLUG	BOUCHON	8	-		
030	125010005127	PIN, START SPRING	GOUILLE DU RESSORT	1	-		
040	125010011297	COVER	COUVERCLE	1	-		
050	125010005846	BOLT	VIS	1	-		
060	125010000704	O RING	JOINT TORIQUE	1	-		
070	125010000681	O RING	JOINT TORIQUE	1	-		
080	125010003688	JOINT, PIPE	RACCORD DE TUYAU	1	-		
090	125010006894	SPRING	RESSORT	1	-		
100	125010005077	SEAT, VALVE	SIEGE DE SOUPEPE	1	-		
110	125010000914	BALL	BILLE	1	-		
120	125010005320	GASKET, GEAR CASE NA	JOINT DE CARTER-DIS.	1	-		
130	125010000005	BOLT	VIS	1	-		
140	125010000031	BOLT	VIS	5	-		
145	125010000018	BOLT	VIS	2	-		
146	125010000514	WASHER, PLAIN	RONDELLE FREIN	2	-		
150	125010005154	BOLT	VIS	3	-		L62
160	125010000019	BOLT	VIS	1	-		
170	125010000021	BOLT	VIS	1	-		
180	125010000023	BOLT	VIS	2	-		
190	125010007672	BOLT	VIS	1	-		L87
200	125010000693	O RING	JOINT TORIQUE	3	-		
210	125010005357	SEAL, OIL	BAGUE JOINT	1	-		
220	125010008588	COVER	COUVERCLE	1	-		
230	125010008589	GASKET, H/M GEAR CASE	JOINT	1	-		
240	125010003600	STUD	GOUJON	3	-		
250	125010000408	NUT	ECROU	3	-		
260	125010000535	WASHER, SPRING	RONDELLE GROWER	3	-		
270	---	BLANK	BLANC	-	-		
280	125010008757	COVER	COUVERCLE	1	-		

↔ Interchangeable: ≠ not interchangeable: ← new for old: → old for new

# 0004 GEAR CASE CARTER DE DISTRIBUTION



1G399-029-10

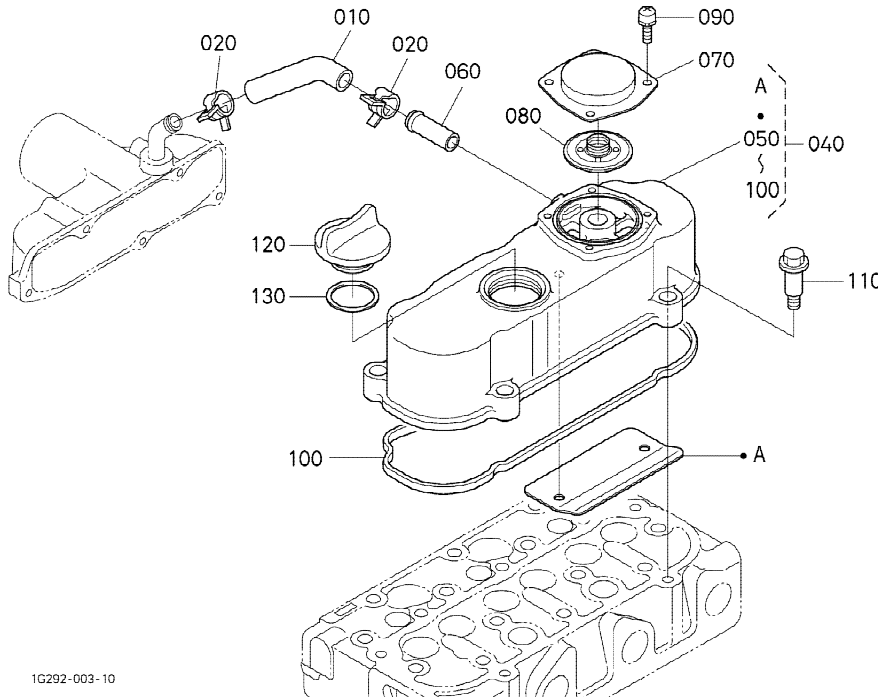
A:D722-E2B-SEC-3

REF. No. POS. No.	PART No. REFERENCE	PART NAME	DESIGNATION	Q' TY/S. No. Q' TE/No. S.		I. C.	REMARKS REMARQUES
				A	B		
290	125010008611	PACKING, FLANGE	JOINT	1	-		
300	125010000005	BOLT	VIS	3	-		

↔ Interchangeable: ≠ not interchangeable: ← new for old: → old for new

# 0005

## HEAD COVER COUVRE-CULASSE



1G292-003-10

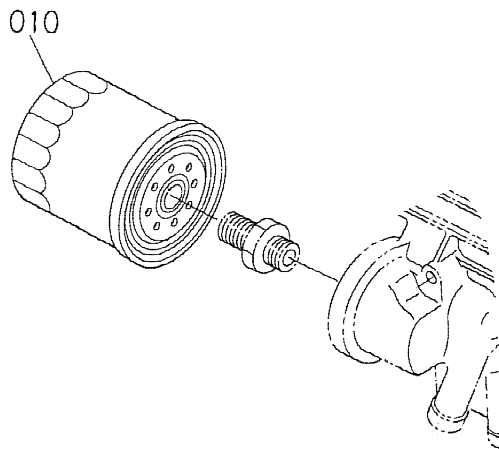
A:D722-E2B-SEC-3

REF. No. POS. No.	PART No. REFERENCE	PART NAME	DESIGNATION	Q' TY/S. No. Q' TE/No. S.		I. C.	REMARKS REMARQUES
				A	B		
010	125010012439	TUBE, BREATHER	TUYAU DE REINFLARD	1	-		
020	125010001256	CLAMP, HOSE	COLLIER DE DURITE	2	-		
030	---	BLANK	BLANC	-	-		
040	125010012443	ASSY COVER, CYL. HEAD	ENS. COUVERCLE	1	-		
050	125010012444	COVER, CYL. HEAD	COUVERCLE CULASSE	1	-		
060	125010005780	PIPE, WATER RETURN	TUYAU RETOUR D'EAU	1	-		
070	125010011947	COVER, BREATHER	COUVERCLE ASPIRATEUR	1	-		
080	125010012163	COMP. VALVE, BREATHER	ENS. ROBINET DE REIN.	1	-		
090	125010000457	SCREW, WITH WASHER	VIS	4	-		
100	125010012445	GASKET, HEAD COVER	JOINT COUVRE-CULASSE	1	-		
110	125010012202	BOLT	VIS	4	-		
120	125010015652	PLUG, OIL FILLER	BOUCHON, REMPLIS. H/L	1	-		
130	125010000703	O RING	JOINT TORIQUE	1	-		

↔ Interchangeable: ≠ not interchangeable: ← new for old: → old for new

0006

**OIL FILTER  
FILTRE D' HUILE**



17060-024-10

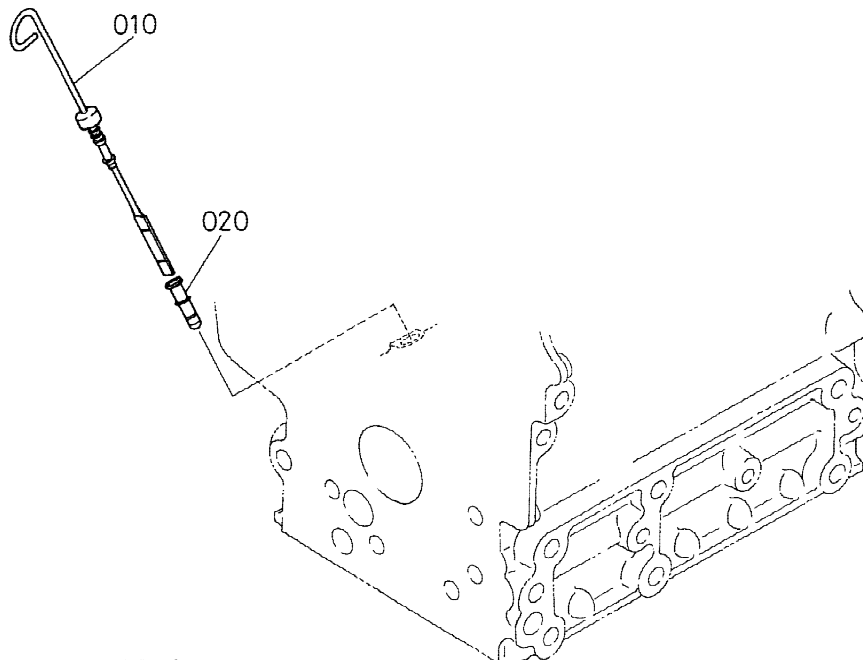
A:D722-E2B-SEC-3

REF. No. POS. No.	PART No. REFERENCE	PART NAME	DESIGNATION	Q' TY/S. No. Q' TE/No. S.		I. C.	REMARKS REMARQUES
				A	B		
010	125010032116	CARTRIDGE, OIL FILTER	ENS. CART. D' HUILE	1	-		



# 0007

## DIPSTICK AND GUIDE JAUGE D' HUILE ET GUIDE



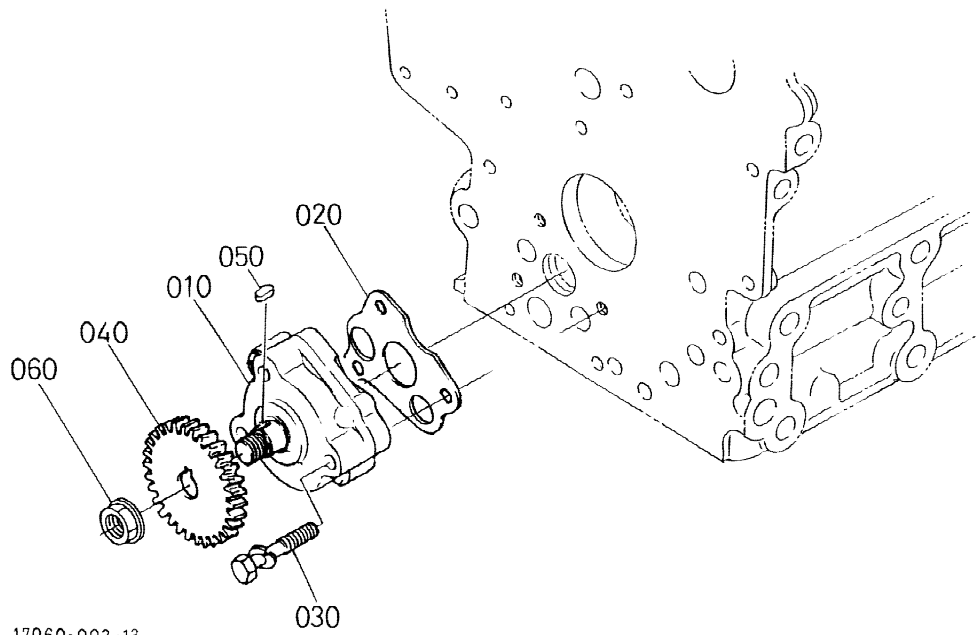
1K175 - 005 - 10

A: D722-E2B-SEC-3

REF. No. POS. No.	PART No. REFERENCE	PART NAME	DESIGNATION	Q' TY/S. No. Q' TE/No. S.		I. C.	REMARKS REMARQUES
				A	B		
010	125010010440	GAUGE, OIL	JAUGE D' HUILE	1	-		
020	125010007545	GUIDE, OIL GAUGE	GUIDE	1	-		

0008

OIL PUMP  
POMPE D' HUILE



17060-002-13

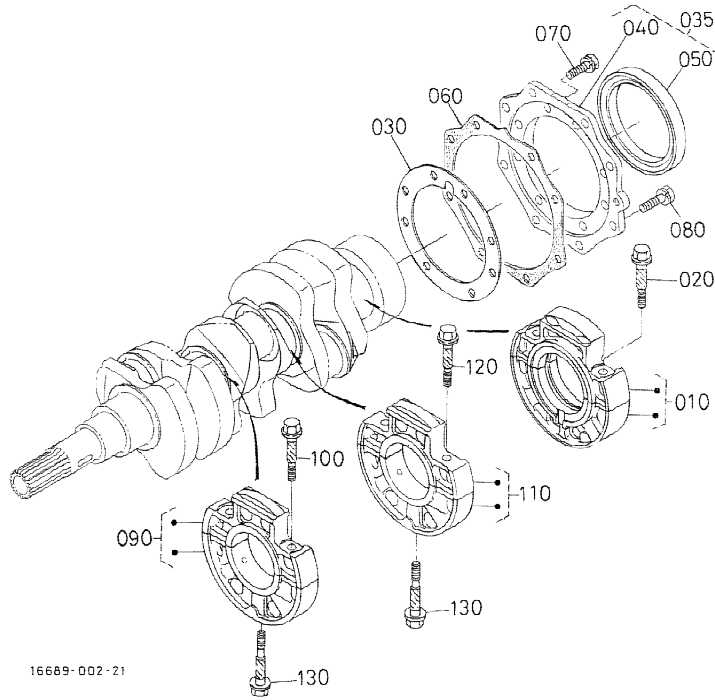
A:D722-E2B-SEC-3

REF. No. POS. No.	PART No. REFERENCE	PART NAME	DESIGNATION	Q' TY/S. No. Q' TE/No. S.		I. C.	REMARKS REMARQUES
				A	B		
010	125010006891	ASSY PUMP, OIL	ENS. POMPE A HUILE	1	-		
020	125010006892	GASKET, OIL PUMP NA	JOINT POMPE A HUILE	1	-		
030	125010005157	BOLT	VIS	3	-		L37
040	125010011405	GEAR, OIL PUMP DRIVE	PIGNON ENTRAIN. POMPE	1	-		
050	125010000839	KEY, FEATHER	CLAVETTE	1	-		
060	125010000444	NUT, FLANGE	ECROU A EMBASE	1	-		

↔ Interchangeable: ≠ not interchangeable: ← new for old: → old for new

0100

MAIN BEARING CASE
PALIERS DE VILEBREQUIN



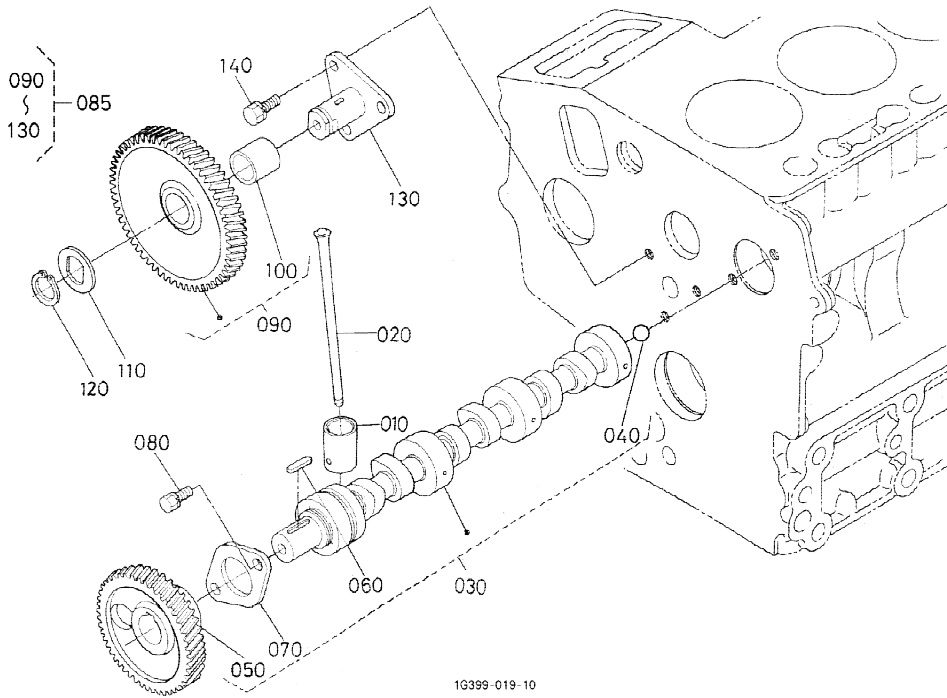
A:D722-E2B-SEC-3

Table with 7 columns: REF. No. POS. No., PART No. REFERENCE, PART NAME, DESIGNATION, QTY/S. No. QTE/No. S., I. C., and REMARKS/REMARQUES. It lists 13 parts including main bearing case assemblies, bolts, gaskets, seals, and covers.

Interchangeable: ≠ not interchangeable: ← new for old: → old for new

# 0101

## CAMSHAFT AND IDLE GEAR SHAFT ARBRE A CAMES



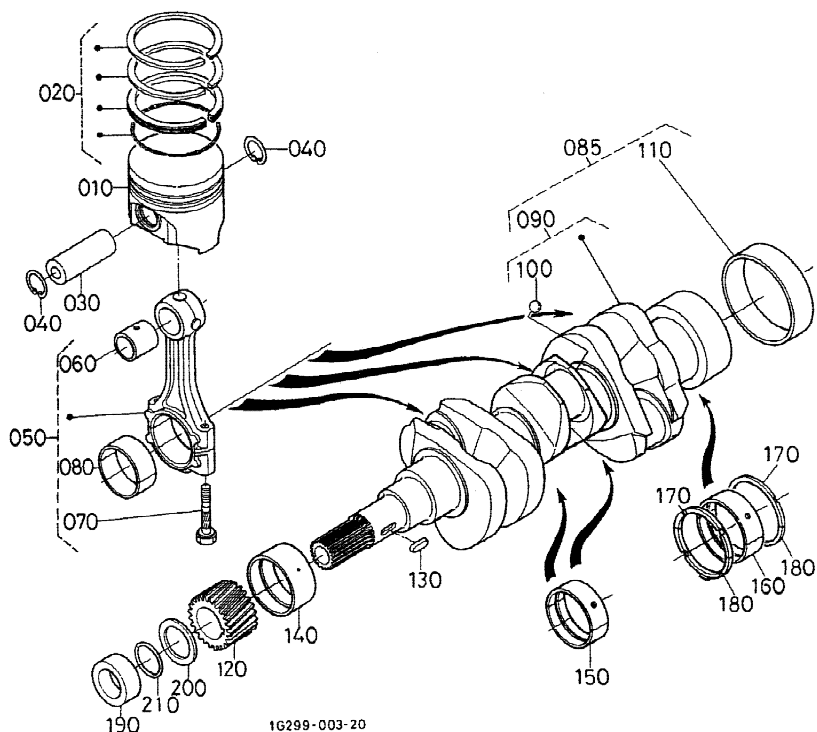
A: D722-E2B-SEC-3

REF. No. POS. No.	PART No. REFERENCE	PART NAME	DESIGNATION	Q' TY/S. No. Q' TE/No. S.		I. C.	REMARKS REMARQUES
				A	B		
010	125010006873	TAPPET	POUSSOIR	6	-		
020	125010006872	PUSH ROD	TIGE DE POUSSOIR	6	-		
030	125010037042	ASSY CAMSHAFT	ENS. ARBRE A CAMES	1	-		
040	125010000902	BALL	BILLE	1	-		
050	125010006991	GEAR, CAM	PIGNON	1	-		
060	125010000845	KEY, FEATHER	CLAVETTE	1	-		
070	125010005064	STOPPER, CAMSHAFT	BOUCHON ARBRE A CAME	1	-		
080	125010000002	BOLT	VIS	2	-		
085	125010005354	ASSY GEAR, IDLE SER/V	PIGNON, INTERMEDIAIRE	1	-		
090	125010005347	COMP. GEAR, IDLE	PIGNON FOU COMP.	1	-		
100	125010005349	BUSH	BAGUE	1	-		
110	125010005351	COLLAR, IDLE GEAR	COLLIER DE PIGNONF.	1	-		
120	125010005350	RING, SNAP	BAGUE ELASTIQUE	1	-		
130	125010005348	SHAFT, IDLE GEAR	ARBRE DE PIGNON FOU	1	-		
140	125010000003	BOLT	VIS	3	-		

↔ Interchangeable: ≠ not interchangeable: ← new for old: → old for new

# 0102

## PISTON AND CRANKSHAFT PISTON ET VILEBREQUIN



16299-003-20

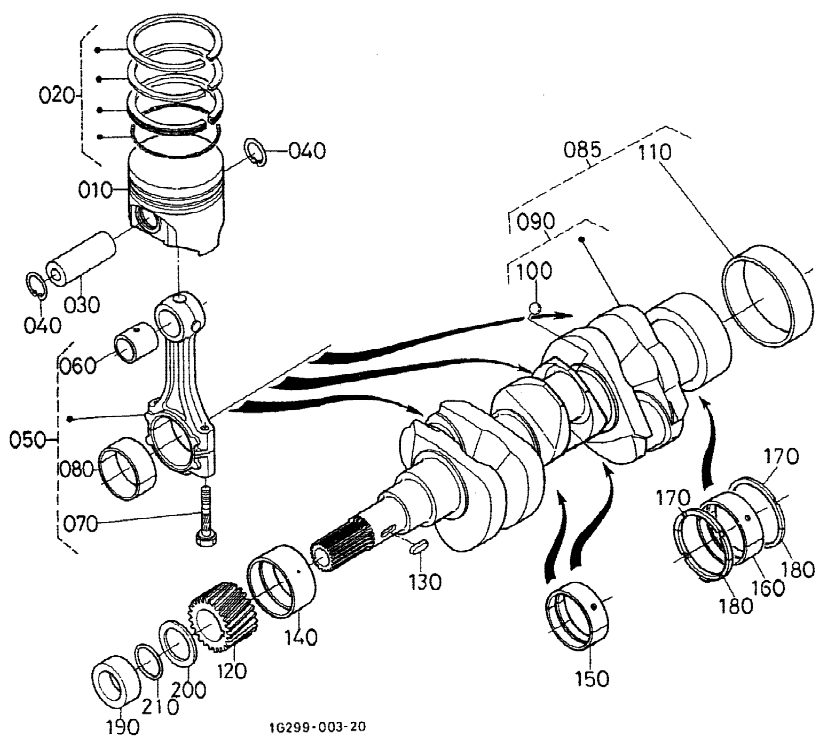
A:D722-E2B-SEC-3

REF. No. POS. No.	PART No. REFERENCE	PART NAME	DESIGNATION	Q' TY/S. No. Q' TE/No. S.		I. C.	REMARKS REMARQUES
				A	B		
010	125010006877	PISTON	PISTON	3	-		STD
010	125010006878	PISTON	PISTON	3	-		+0.25mm
020	125010006932	ASSY PISTON RING	ENS. SEGMENT	3	-		STD
020	125010006933	ASSY PISTON RING	ENS. SEGMENT	3	-		+0.25mm
030	125010007017	PIN, PISTON	AXE DE PISTON	3	-		
040	125010003744	CIR CLIP, PISTON PIN	CIRCLIP	6	-		
050	125010011404	ASSY ROD, CONNECTING	ENS. BIELLE	3	-		
060	125010006880	BUSH, PISTON PIN	BAGUE DE BIELLE	3	-		+0.30mm
070	125010006881	BOLT, CONNECTING ROD	VIS DE BIELLE	6	-		
080	125010005294	METAL, CRANKPIN M	COUSSINET DE BIELLE	3	-		STD SET
080	125010005295	METAL, CRANKPIN	COUSSINET DE BIELLE	3	-		-0.20mm SET
080	125010005296	METAL, CRANKPIN	COUSSINET DE BIELLE	3	-		-0.40mm SET
085	125010006985	ASSY CRANKSHAFT	VILEBREQUIN, ASS	1	-		
090	125010006964	COMP. CRANKSHAFT	VILEBREQUIN COMPLET	1	-		
100	125010000912	BALL	BILLE	3	-		
110	125010008316	SLEEVE, CRANKSHAFT	FRETTE ARRIERE	1	-		
120	125010005074	GEAR, CRANK	PIGNON	1	-		
130	125010000844	KEY, FEATHER	CLAVETTE	1	-		
140	125010005298	METAL, CRANKSHAFT	COUSSINET DE VILEBR.	1	-		STD
140	125010005302	METAL, CRANKSHAFT	COUSSINET DE VILEBR.	1	-		-0.20mm
140	125010005302	METAL, CRANKSHAFT	COUSSINET DE VILEBR.	1	-		-0.40mm
150	125010005299	METAL, CRANKSHAFT	COUSSINET DE VILEBR.	2	-		STD SET
150	125010005300	METAL, CRANKSHAFT	COUSSINET DE VILEBR.	2	-		-0.20mm SET
150	125010005301	METAL, CRANKSHAFT	COUSSINET DE VILEBR.	2	-		-0.40mm SET
160	125010004908	METAL, CRANKSHAFT M	COUSSINET DE VILEBR.	1	-		STD SET
160	125010004911	METAL, CRANKSHAFT	COUSSINET DE VILEBR.	1	-		-0.20mm SET
160	125010004912	METAL, CRANKSHAFT	COUSSINET DE VILEBR.	1	-		-0.40mm SET
170	125010003750	METAL, SIDE	COUSSINET DE LATERAL	2	-		STD
170	125010003752	METAL, SIDE	COUSSINET DE LATERAL	2	-		+0.20mm
170	125010003754	METAL, SIDE	COUSSINET DE LATERAL	2	-		+0.40mm

↔ Interchangeable: ≠ not interchangeable: ← new for old: → old for new

# 0102

# PISTON AND CRANKSHAFT PISTON ET VILEBREQUIN



16299-003-20

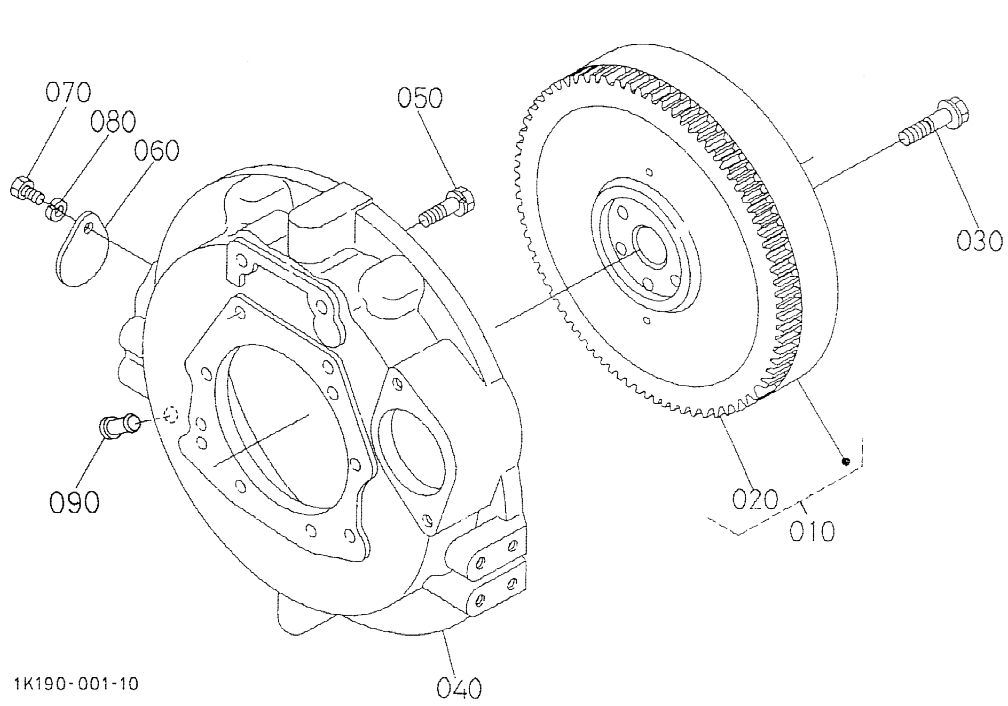
A:D722-E2B-SEC-3

REF. No. POS. No.	PART No. REFERENCE	PART NAME	DESIGNATION	Q' TY/S. No.		I. C.	REMARKS REMARQUES
				A	B		
180	125010003751	METAL, SIDE	COUSSINET DE LATERAL	2	-		STD
180	125010003756	METAL, SIDE	COUSSINET DE LATERAL	2	-		+0, 20mm
180	125010003758	METAL, SIDE	COUSSINET DE LATERAL	2	-		+0, 40mm
190	125010005073	COLLAR, CRANKSHAFT	COLLIER VILEBREQUIN	1	-		
200	125010005378	SLINGER, OIL	DEFLECTEUR D' HUILE	1	-		
210	125010000702	O RING	JOINT TORIQUE	1	-		

↔ Interchangeable: ≠ not interchangeable: ← new for old: → old for new

**0103**

**FLYWHEEL  
VOLANT MOTEUR**



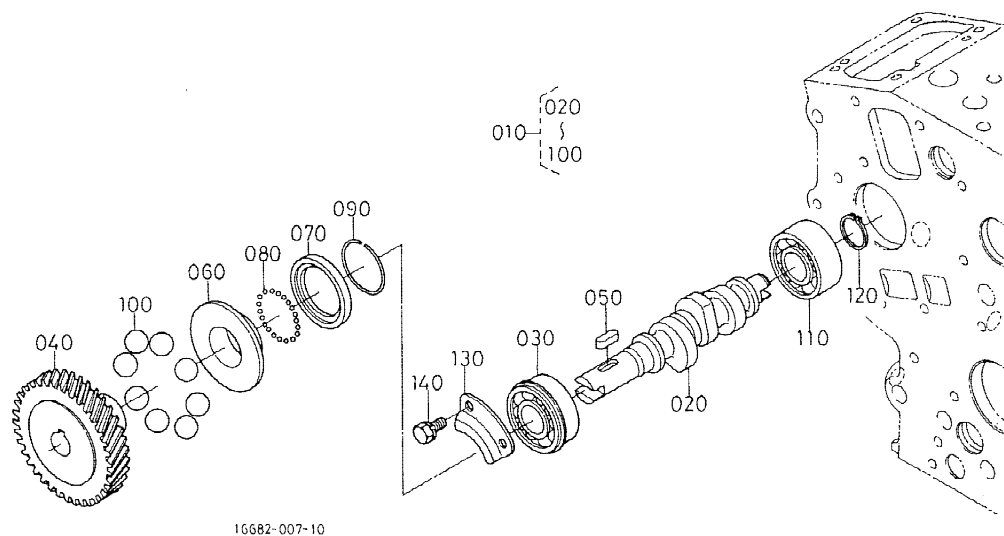
A: D722-E2B-SEC-3

REF. No. POS. No.	PART No. REFERENCE	PART NAME	DESIGNATION	Q' TY/S. No. Q' TE/No. S.		I. C.	REMARKS REMARQUES
				A	B		
010	125010014236	COMP. FLYWHEEL	VOLANT MOTEUR COMP.	1	-		
020	125010006855	GEAR, RING	COURONNE DE DEMARRE.	1	-		
030	125010004692	BOLT, FLYWHEEL	VIS DE VOLANT	5	-		
040	125010014234	HOUSING, FLYWHEEL	CARTER VOLANT	1	-		
050	125010000090	BOLT	VIS	10	-		
060	125010014370	COVER	COUVERCLE	1	-		
070	125010000113	BOLT	VIS	1	-		
080	125010000510	WASHER, PLAIN	RONDELLE FREIN	1	-		
090	125010014841	CAP	BOUCHON	1	-		

↔ Interchangeable; ≠ not interchangeable; ← new for old; → old for new

# 0105

## FUEL CAMSHAFT AND GOVERNOR SHAFT ARBRE A CAMES DE CARBURANT



16682-007-10

A:D722-E2B-SEC-3

REF. No. POS. No.	PART No. REFERENCE	PART NAME	DESIGNATION	Q' TY/S. No. Q' TE/No. S.		I. C.	REMARKS REMARQUES
				A	B		
010	125010006961	ASSY CAMSHAFT, FUEL	ENS. ARBRE A CAMES	1	-		
020	125010005346	CAMSHAFT, FUEL	ARBRE A CAMES	1	-		
030	125010001235	BEARING, BALL	ROULEMENT A BILLES	1	-		
040	125010006896	GEAR, INJECTION PUMP	ENGRE. POMPE D' INJEC.	1	-		
050	125010000844	KEY, FEATHER	CLAVETTE	1	-		
060	125010005118	SLEEVE, GOVERNOR	BAGUE DE REGULATEUR	1	-		
070	125010005119	CASE, GOVERNOR BALL	CUVETTE DE BILLES	1	-		
080	125010000904	BALL	BILLE	32	-		
090	125010003786	CIR-CLIP, GOV. SLEEVE	JONC D' ARRET	1	-		
100	125010000916	BALL	BILLE	8	-		
110	125010007037	BEARING, BALL	ROULEMENT A BILLES	1	-		
120	125010000563	CIR CLIP, EXTERNAL	CIRCLIP	1	-		
130	125010005065	STOPPER, FUEL. C/SHAFT	BOUCHON	1	-		
140	125010000002	BOLT	VIS	2	-		

↔ Interchangeable: ≠ not interchangeable: ← new for old: → old for new  
15







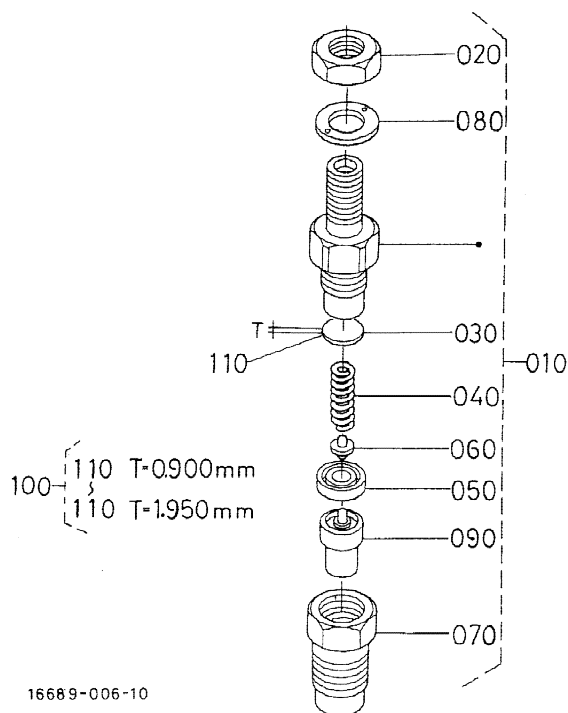






0207

NOZZLE HOLDER (COMPONENT PARTS)  
 PORTE-INJECTEUR (PARTIES COMPOSANTES)



16689-006-10

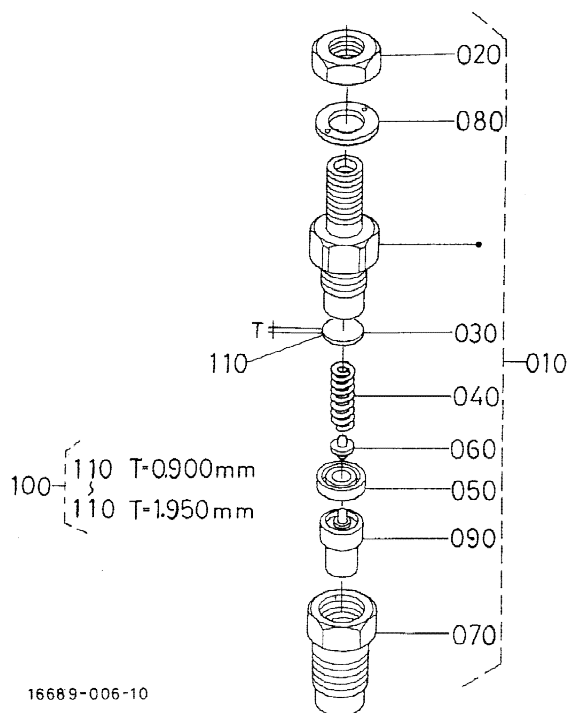
A:D722-E2B-SEC-3

REF. No. POS. No.	PART No. REFERENCE	PART NAME	DESIGNATION	Q' TY/S. No. Q' TE/No. S.		I. C.	REMARKS REMARQUES
				A	B		
010	125010035506	ASSY HOLDER, NOZZLE	ENS. PORTE-INJECTEUR	3	-		
020	125010005162	NUT	ECROU	3	-		
030	125010005104	WASHER, ADJUSTING	RONDELLE DE REGLAGE	3	-		
040	125010005103	SPRING, NOZZLE	RESSORT D' INJECTEUR	3	-		
050	125010005105	PIECE, DISTANCE	CALE DE BLOCAGE	3	-		
060	125010005102	PUSH ROD	TIGE DE POUSSOIR	3	-		
070	125010006337	NUT, NOZZLE	ECROU D' INJECTEUR	3	-		
080	125010005169	WASHER	RONDELLE	3	-		
090	125010006897	PIECE, NOZZLE	ELEMENT D' INJECTEUR	3	-		
100	125010005178	ASSY WASHER, ADJUST	ENS. RONDELLE	3	-		OPTION
110	125010005104	WASHER, ADJUSTING	RONDELLE DE REGLAGE	3	-		0.900mm
110	125010005179	WASHER, ADJUSTING	RONDELLE DE REGLAGE	3	-		0.925mm
110	125010005180	WASHER, ADJUSTING	RONDELLE DE REGLAGE	3	-		0.950mm
110	125010005181	WASHER, ADJUSTING	RONDELLE DE REGLAGE	3	-		0.975mm
110	125010005182	WASHER, ADJUSTING	RONDELLE DE REGLAGE	3	-		1.000mm
110	125010005183	WASHER, ADJUSTING	RONDELLE DE REGLAGE	3	-		1.025mm
110	125010005184	WASHER, ADJUSTING	RONDELLE DE REGLAGE	3	-		1.050mm
110	125010005185	WASHER, ADJUSTING	RONDELLE DE REGLAGE	3	-		1.075mm
110	125010005186	WASHER, ADJUSTING	RONDELLE DE REGLAGE	3	-		1.100mm
110	125010005187	WASHER, ADJUSTING	RONDELLE DE REGLAGE	3	-		1.125mm
110	125010005188	WASHER, ADJUSTING	RONDELLE DE REGLAGE	3	-		1.150mm
110	125010005189	WASHER, ADJUSTING	RONDELLE DE REGLAGE	3	-		1.175mm
110	125010005190	WASHER, ADJUSTING	RONDELLE DE REGLAGE	3	-		1.200mm
110	125010005191	WASHER, ADJUSTING	RONDELLE DE REGLAGE	3	-		1.225mm
110	125010005192	WASHER, ADJUSTING	RONDELLE DE REGLAGE	3	-		1.250mm
110	125010005193	WASHER, ADJUSTING	RONDELLE DE REGLAGE	3	-		1.275mm
110	125010005194	WASHER, ADJUSTING	RONDELLE DE REGLAGE	3	-		1.300mm
110	125010005195	WASHER, ADJUSTING	RONDELLE DE REGLAGE	3	-		1.325mm
110	125010005196	WASHER, ADJUSTING	RONDELLE DE REGLAGE	3	-		1.350mm
110	125010005197	WASHER, ADJUSTING	RONDELLE DE REGLAGE	3	-		1.375mm

↔ Interchangeable: ≠ not interchangeable: ← new for old: → old for new

0207

NOZZLE HOLDER (COMPONENT PARTS)  
 PORTE-INJECTEUR (PARTIES COMPOSANTES)



16689-006-10

A:D722-E2B-SEC-3

REF. No. POS. No.	PART No. REFERENCE	PART NAME	DESIGNATION	Q' TY/S. No. Q' TE/No. S.		I. C.	REMARKS REMARQUES
				A	B		
110	125010005198	WASHER, ADJUSTING	RONDELLE DE REGLAGE	3	-		1.400mm
110	125010005199	WASHER, ADJUSTING	RONDELLE DE REGLAGE	3	-		1.425mm
110	125010005200	WASHER, ADJUSTING	RONDELLE DE REGLAGE	3	-		1.450mm
110	125010005201	WASHER, ADJUSTING	RONDELLE DE REGLAGE	3	-		1.475mm
110	125010005202	WASHER, ADJUSTING	RONDELLE DE REGLAGE	3	-		1.500mm
110	125010005203	WASHER, ADJUSTING	RONDELLE DE REGLAGE	3	-		1.525mm
110	125010005204	WASHER, ADJUSTING	RONDELLE DE REGLAGE	3	-		1.550mm
110	125010005205	WASHER, ADJUSTING	RONDELLE DE REGLAGE	3	-		1.575mm
110	125010005206	WASHER, ADJUSTING	RONDELLE DE REGLAGE	3	-		1.600mm
110	125010005207	WASHER, ADJUSTING	RONDELLE DE REGLAGE	3	-		1.625mm
110	125010005208	WASHER, ADJUSTING	RONDELLE DE REGLAGE	3	-		1.650mm
110	125010005209	WASHER, ADJUSTING	RONDELLE DE REGLAGE	3	-		1.675mm
110	125010005210	WASHER, ADJUSTING	RONDELLE DE REGLAGE	3	-		1.700mm
110	125010005211	WASHER, ADJUSTING	RONDELLE DE REGLAGE	3	-		1.725mm
110	125010005212	WASHER, ADJUSTING	RONDELLE DE REGLAGE	3	-		1.750mm
110	125010005213	WASHER, ADJUSTING	RONDELLE DE REGLAGE	3	-		1.775mm
110	125010005214	WASHER, ADJUSTING	RONDELLE DE REGLAGE	3	-		1.800mm
110	125010005215	WASHER, ADJUSTING	RONDELLE DE REGLAGE	3	-		1.825mm
110	125010005216	WASHER, ADJUSTING	RONDELLE DE REGLAGE	3	-		1.850mm
110	125010005217	WASHER, ADJUSTING	RONDELLE DE REGLAGE	3	-		1.875mm
110	125010005218	WASHER, ADJUSTING	RONDELLE DE REGLAGE	3	-		1.900mm
110	125010005219	WASHER, ADJUSTING	RONDELLE DE REGLAGE	3	-		1.925mm
110	125010005220	WASHER, ADJUSTING	RONDELLE DE REGLAGE	3	-		1.950mm

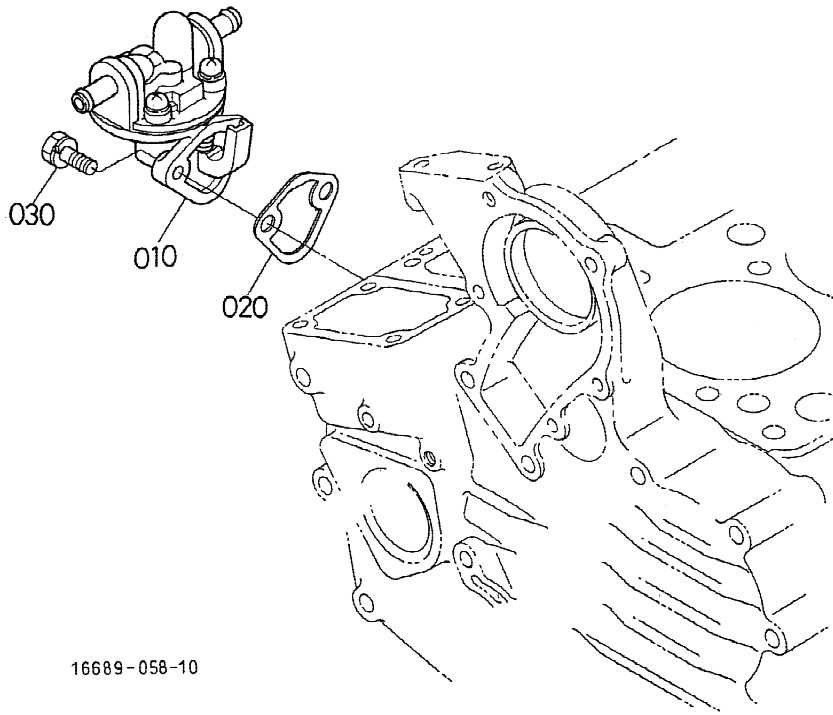
↔ Interchangeable: ≠ not interchangeable: ← new for old: → old for new





0301

FUEL PUMP (MECHANICAL)  
 POMPE D'ALIMENTATION (MECHANIQUE)



16689-058-10

A:D722-E2B-SEC-3

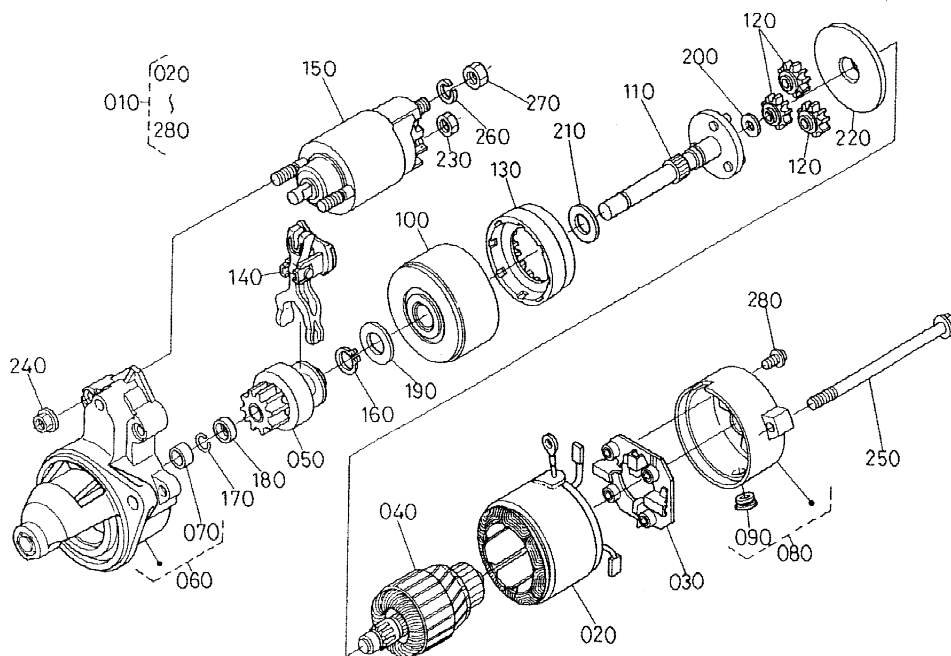
REF. No. POS. No.	PART No. REFERENCE	PART NAME	DESIGNATION	Q' TY/S. No. Q' TE/No. S.		I. C.	REMARKS REMARQUES
				A	B		
010	125010005005	ASSY PUMP, FUEL	ENS. POMPE D' ALIMEN.	1	-		
020	125010005936	GASKET, FUEL PUMP	JOINT DE POMP. CARB.	1	-		
030	125010000004	BOLT	VIS	2	-		

↔ Interchangeable: ≠ not interchangeable: ← new for old: → old for new



# 0405

## STARTER (COMPONENT PARTS) DEMARREUR (PARTIES COMPOSANTES)



57992-001-10

A: D722-E2B-SEC-3

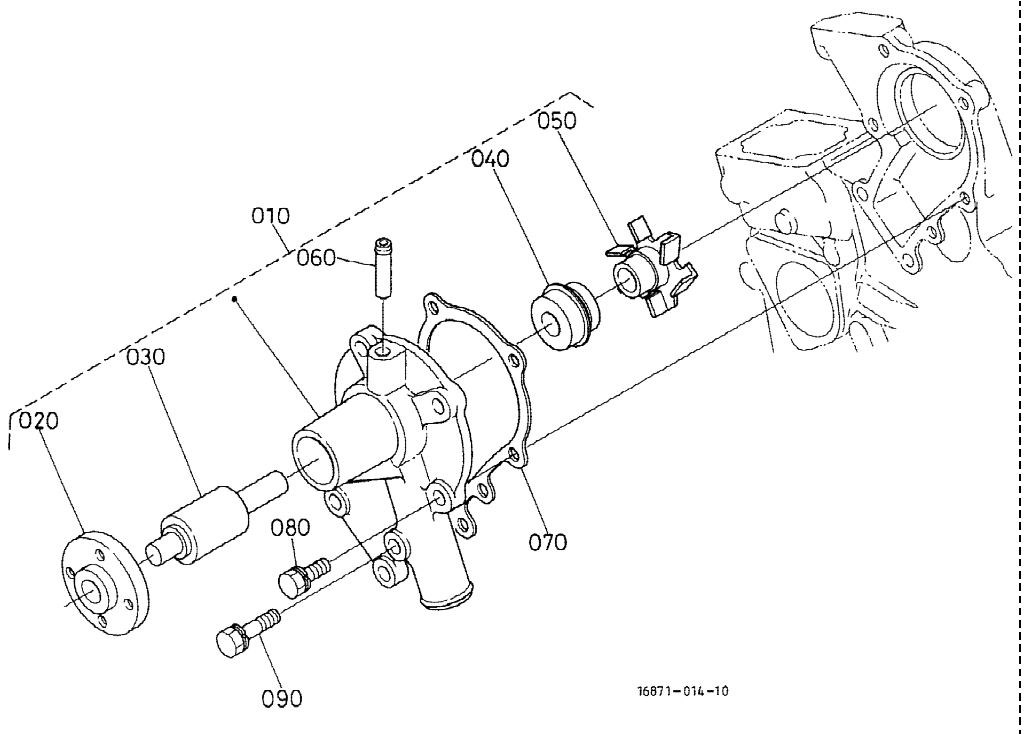
REF. No. POS. No.	PART No. REFERENCE	PART NAME	DESIGNATION	Q' TY/S. No. Q' TE/No. S.		I. C.	REMARKS REMARQUES
				A	B		
010	125010014770	ASSY STARTER	ENS. DEMARREUR	1	-		
020	125010014846	ASSY YOKE, STARTER	ENS. FOURCHE	1	-		
030	125010003239	ASSY HOLDER	ENS. SUPPORT	1	-		
040	125010014847	ASSY ARMATURE	ENS. ARMATURE	1	-		
050	125010017565	ASSY CLUTCH, STARTER	ENS. EMBRAYAGE	1	-		
060	125010014771	ASSY HOUSING, STARTER	ENS. CARTER DEMARREUR	1	-		
070	125010014848	BEARING	ROULEMENT	1	-		
080	125010017566	ASSY FRAME	ENS. CHASSIS	1	-		
090	125010001977	COVER	COUVERCLE	1	-		
100	125010003242	ASSY BEARING	ENS ROULEMENT	1	-		
110	125010017567	ASSY SHAFT, STARTER	ENS. ARBRE	1	-		
120	125010003237	GEAR	ENGRENAGE	3	-		
130	125010003238	GEAR	ENGRENAGE	1	-		
140	125010003233	LEVER	LEVIER	1	-		
150	125010001945	ASSY SWITCH, MAGNETIC	SOLENOIDE	1	-		
160	125010003235	RING, SNAP	BAGUE ELASTIQUE	1	-		
170	125010001947	RING, SNAP	BAGUE ELASTIQUE	1	-		
180	125010002545	COLLAR	COLLIER	1	-		
190	125010003249	WASHER, PLAIN	RONDELLE FREIN	1	-		
200	125010003250	WASHER, PLAIN	RONDELLE FREIN	1	-		
210	125010003251	WASHER, PLAIN	RONDELLE FREIN	1	-		
220	125010003252	PLATE	PLAQUE	1	-		
230	125010006497	NUT, HEXAGON	ECROU HEXAGONAL	1	-		
240	125010002844	NUT	ECROU	2	-		
250	125010001744	BOLT, THROUGH	VIS, PASSANT	2	-		
260	125010002541	WASHER, SPRING	RONDELLE GROWER	1	-		
270	125010008700	NUT, HEXAGON	ECROU HEXAGONAL	1	-		
280	125010017568	SCREW	VIS	2	-		

↔ Interchangeable: ≠ not interchangeable: ← new for old: → old for new





# 0501 WATER PUMP POMPE A EAU

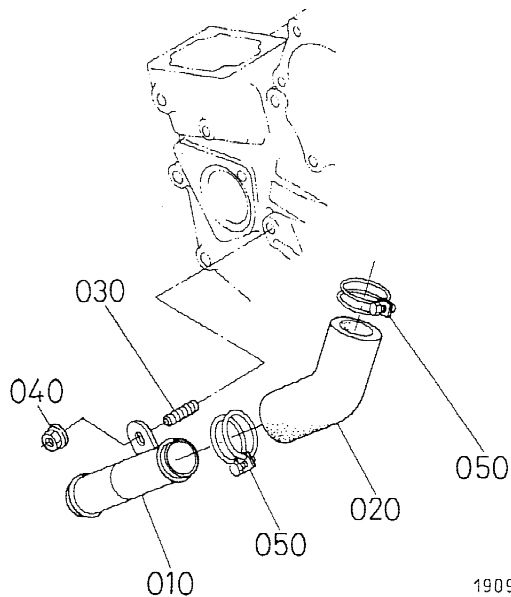


A:D722-E2B-SEC-3

REF. No. POS. No.	PART No. REFERENCE	PART NAME	DESIGNATION	Q' TY/S. No. Q' TE/No. S.		I. C.	REMARKS REMARQUES
				A	B		
010	125010010118	ASSY PUMP, WATER	ENS. POMPE A EAU	1	-		
020	125010005269	FLANGE, WATER PUMP	BRIDE DE POMPE A EAU	1	-		
030	125010005270	BEARING	ROULEMENT	1	-		
040	125010004468	ASSY SEAL, MECHANICAL	ENS. JOINT MECANIQUE	1	-		
050	125010036201	IMPELLER, WATER PUMP	TURBINE DE POMPE	1	-		
060	125010005266	PIPE, WATER RETURN	TUYAU RETOUR D' EAU	1	-		
070	125010007031	GASKET, WATER PUMP NA	JOINT DE POMPE A EAU	1	-		
080	125010000007	BOLT	VIS	4	-		
090	125010000013	BOLT	VIS	1	-		

0503

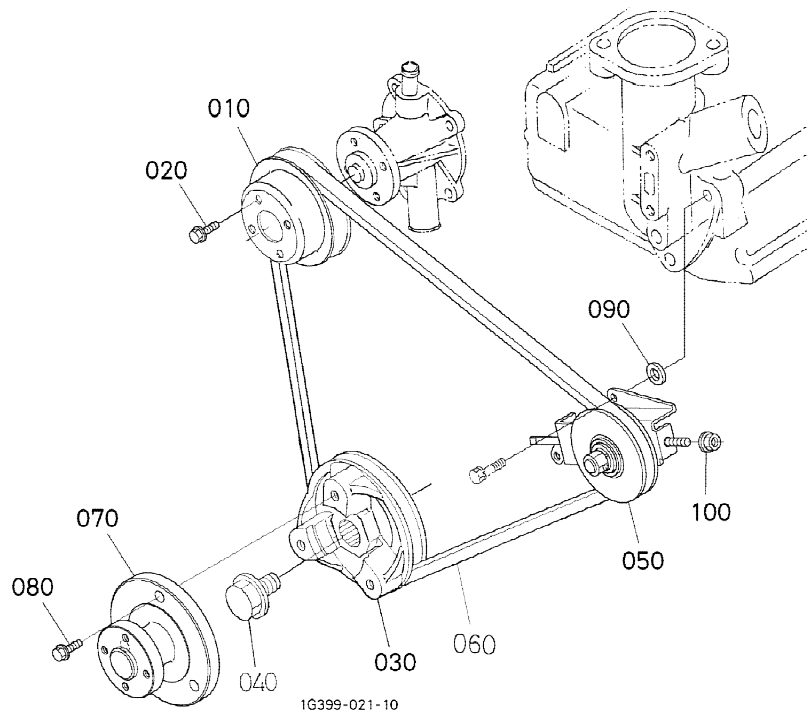
**WATER PIPE  
TUYAU D'EAU**



19099-324-10

A:D722-E2B-SEC-3

REF. No. POS. No.	PART No. REFERENCE	PART NAME	DESIGNATION	Q' TY/S. No. Q' TE/No. S.		I. C.	REMARKS REMARQUES
				A	B		
010	125010006840	PIPE, WATER	TUYAU D'EAU	1	-		
020	125010006841	HOSE, WATER	TUYAU D'EAU	1	-		
030	125010005159	STUD	GOUJON	1	-		
040	125010000434	NUT, FLANGE	ECROU A EMBASE	1	-		
050	125010005143	BAND, PIPE	COLLIER DE TUYAU	2	-		



A:D722-E2B-SEC-3

REF. No. POS. No.	PART No. REFERENCE	PART NAME	DESIGNATION	Q' TY/S. No. Q' TE/No. S.		I. C.	REMARKS REMARQUES
				A	B		
010	125010005150	PULLEY, FAN	POULIE VENTILATEUR	1	-		
020	125010000295	BOLT, FLANGE	VIS DE BUTEE	4	-		
030	125010006973	PULLEY, FAN DRIVE	POULIE ENTRAIN. VENT.	1	-		
040	125010005407	BOLT	VIS	1	-		
050	125010010411	ASSY PULLEY, TENSION	ENS. POULIE DE TENS.	1	-		
060	125010008771	BELT	COURROIE	1	-		FM32, 51N
070	125010010409	COLLAR, FAN	COLLER DE VETILATEUR	1	-		
080	125010000319	BOLT, FLANGE	VIS DE BUTEE	3	-		
090	125010002621	COLLAR	COLLIER	1	-		
100	125010000439	NUT, FLANGE	ECROU A EMBASE	1	-		

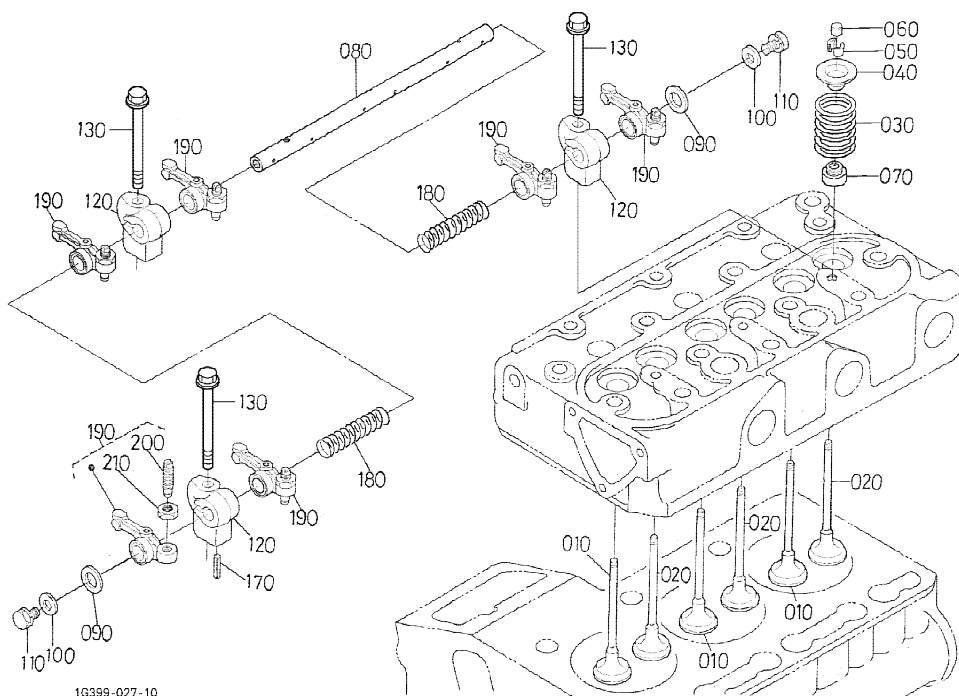
↔ Interchangeable: ≠ not interchangeable: ← new for old: → old for new





# 0600

## VALVE AND ROCKER ARM SOUPAPES ET CULBUTEURS



A: D722-E2B-SEC-3

REF. No. POS. No.	PART No. REFERENCE	PART NAME	DESIGNATION	Q' TY/S. No. Q' TE/No. S.		I. C.	REMARKS REMARQUES
				A	B		
010	125010003008	VALVE, INLET	SOUPAPE D' ADMISSION	3	-		
020	125010003009	VALVE, EXHAUST	SOUPAPE D' ECHAPMENT	3	-		
030	125010003010	SPRING, VALVE	RESSORT DE SOUPAPE	6	-		
040	125010003011	RETAINER, SPRING	ARRETOIR DE RESSORT	6	-		
050	125010003012	COLLET, VALVE SPRING	DEMI CLAVETTE	6	-		SET
060	125010006869	CAP, VALVE	CHAPEAU DE SOUPAPE	6	-		
070	125010001512	SEAL, VALVE STEM	JOINT DE SOUPAPE	6	-		
080	125010005289	SHAFT, ROCKER ARM	ARBRE DE CULBUTEUR	1	-		
090	125010007013	WASHER	RONDELLE	2	-		
100	125010005168	WASHER, PLAIN	RONDELLE FREIN	2	-		
110	125010000001	BOLT	VIS	2	-		
120	125010012442	BRACKET, ROCKER ARM	SUPPORT DE CULBUTEUR	3	-		
130	125010000304	BOLT, FLANGE	VIS DE BUTEE	3	-		
140	----	BLANK	BLANC	-	-		
150	----	BLANK	BLANC	-	-		
160	----	BLANK	BLANC	-	-		
170	125010000812	PIN, SPRING	GOUPILLE-RESSORT	1	-		
180	125010003015	SPRING, ROCKER ARM	RESSORT DE CULBUTEUR	2	-		
190	125010005051	ASSY ROCKER ARM	ENS. CULBUTEURS	6	-		
200	125010005053	SCREW, ADJUSTING	VIS DE REGLAGE	6	-		
210	125010003014	NUT	ECROU	6	-		

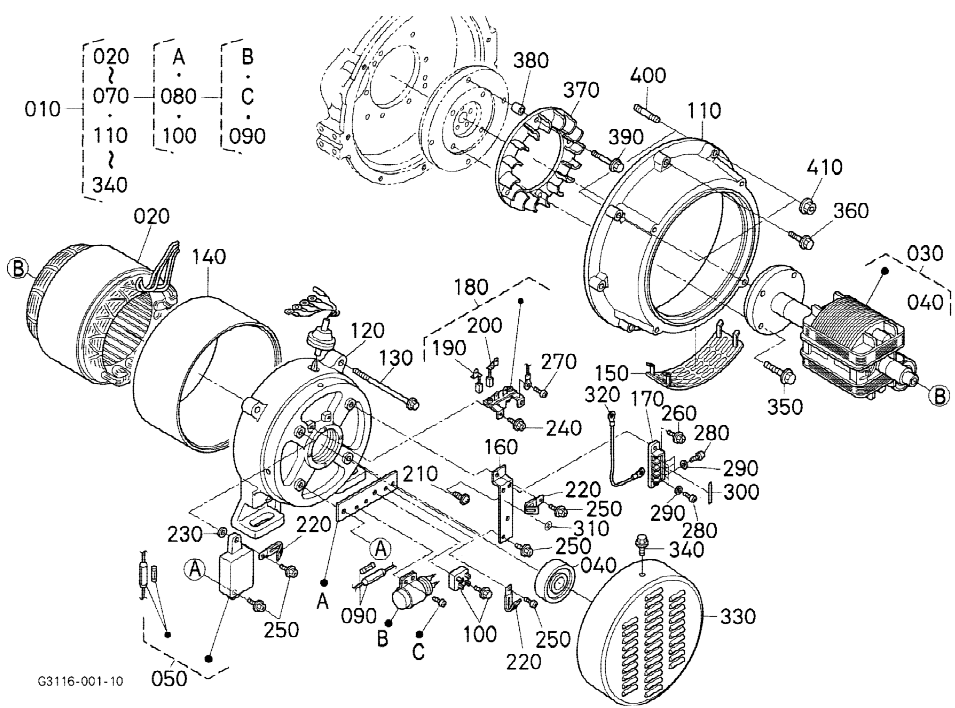
↔ Interchangeable: ≠ not interchangeable: ← new for old: → old for new











A: GL11000-CAN

REF. No. POS. No.	PART No. REFERENCE	PART NAME	DESIGNATION	Q' TY/S. No. Q' TE/No. S.		I. C.	REMARKS REMARQUES
				A	B		
010	125010016519	ASSY GENERATOR	ENS. GENERATEUR	1	-		
020	125010016520	ASSY STATOR	ENS. STATOR	1	-		
030	125010017497	ASSY ROTOR	ENS. ROTOR	1	-		
040	125010007120	BEARING, REAR CLIPRE.	ROULMENT	1	-		
050	125010016521	ASSY CONTROL	LUTTE AVR	1	-		
060	----	BLANK	BLANC	-	-		
070	125010034169	ASSY DIODE	ENS. DIODE	1	-		
080	125010016528	ASSY CONDENSER	ENS. CONDENSATEUR	1	-		
090	G3116-0348-0	FUSE	FUSIBLE	1	-		
100	125010007825	STAK, DIODE	DIODE	1	-		
110	125010017445	BRACKET, FRONT	SUPPORT	1	-		
120	125010007119	BRACKET, REAR	SUPPORT	1	-		
130	125010017500	BOLT	VIS	4	-		
140	125010017499	BAND, COVER	BANDE, COUVERCLE	1	-		
150	125010017448	PLATE, COVER	PLAQUE, COUVERCLE	2	-		
160	125010017450	PLATE, LH	PLATEAU G.	1	-		
170	125010035965	CONNECTOR	CONNECTEUR	1	-		
180	125010017451	ASSY HOLDER, BRUSH	ENS. SUPPORT	1	-		
190	125010017452	ASSY BRUSH, 1	ENS. PATTE D' ATTACHE	1	-		
200	125010017453	ASSY BRUSH, 1	ENS. PATTE D' ATTACHE	1	-		
210	125010007810	SCREW	VIS	1	-		
220	125010017454	PLATE	PLAQUE	4	-		
230	125010024325	WASHER	RONDELLE	1	-		
240	125010007122	BOLT	VIS	2	-		
250	125010007826	BOLT	VIS	4	-		
260	125010017455	BOLT	VIS	2	-		
270	125010007728	SCREW, WITH WASHER	VIS	2	-		
280	125010017483	SCREW, BSML	VIS	6	-		
290	125010017484	WASHER, BS	RONDELLE	6	-		
300	125010017464	MARK	MARQUE	1	-		

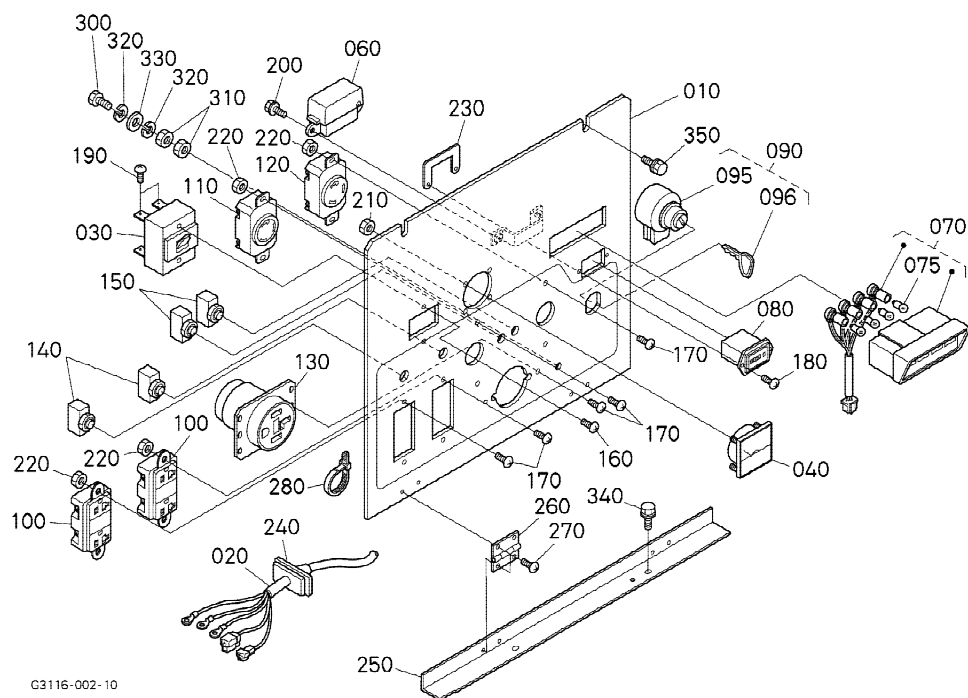
↔ Interchangeable: ≠ not interchangeable: ← new for old: → old for new





# A003

# CONTROL PANEL PLAQUE



G3116-002-10

A: GL11000-CAN

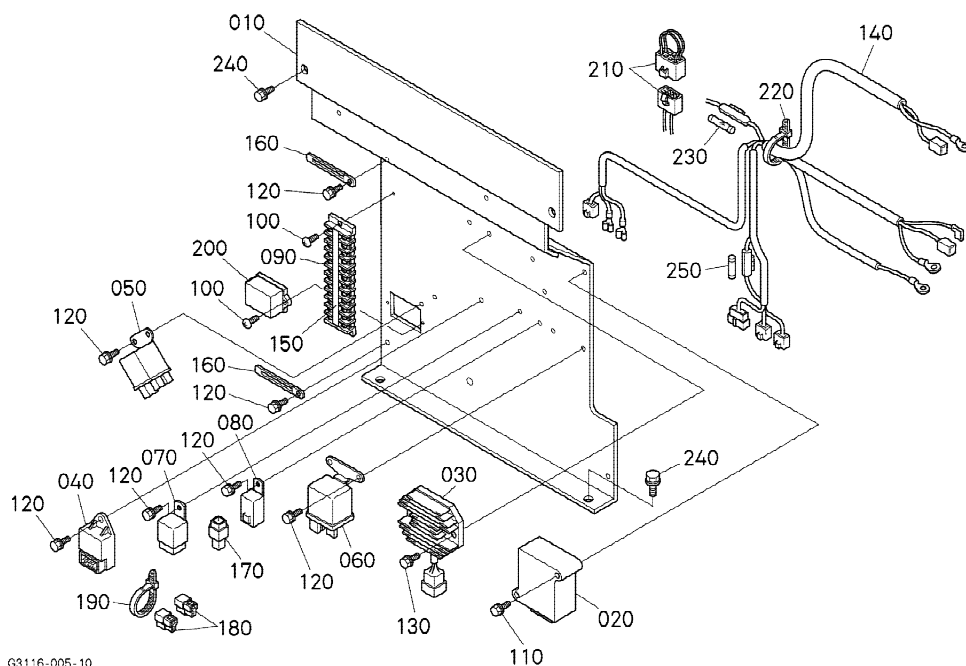
REF. No. POS. No.	PART No. REFERENCE	PART NAME	DESIGNATION	Q' TY/S. No. Q' TE/No. S.		I. C.	REMARKS REMARQUES
				A	B		
010	G3116-0321-0	PLATE, PANEL	PLAQUE	1	-		
020	G3116-0380-0	WIRE HARNESS, AC	FAISCEAU ELECTRIQUE	1	-		
030	125010016469	BREAKER	BRISEUR	1	-		
040	125010007107	METER, BOLT	COMPTEUR, V	1	-		
050	----	BLANK	BLANC	-	-		
060	125010016402	ASSY BOX, FUSE	ENS. BOITE DES FUSIB.	1	-		
070	125010007579	BOX, PILOT	BOITE	1	-		
075	125010014441	VALVE	SOUPAPE	4	-		
080	125010007761	METER, HOUR	COMPTE-HEURES	1	-		
090	125010003697	ASSY SWITCH, STARTER	ENS. INTERRUPTEUR	1	-		
095	125010014867	SWITCH, STARTER	CONTACTEUR A CLE	1	-		
096	125010003698	ASSY KEY	ENS. CLE	1	-		
100	125010016522	ASSY RECEPTACLE	ENS. COURANT	2	-		GFCI
110	125010016331	RECEPTACLE	COURANT	1	-		L5-30
120	125010007763	RECEPTACLE	FICHE	1	-		L6-30
130	125010016523	RECEPTACLE	COURANT	1	-		14-50
140	125010016470	PROTECTOR	PROTECTEUR	2	-		20A
150	125010016471	PROTECTOR	PROTECTEUR	2	-		30A
160	125010016329	SCREW, BREAKER	VIS	2	-		
170	125010017443	SCREW	VIS	10	-		
180	125010017486	SCREW, ML BLACK	VIS	2	-		
190	125010007810	SCREW	VIS	4	-		
200	125010007122	BOLT	VIS	2	-		
210	125010007739	NUT	ECROU	2	-		
220	125010007779	NUT	ECROU	10	-		
230	125010007760	PLATE, U	PLAQUE	1	-		
240	125010007805	GROMMET	GRUMMET	1	-		
250	125010016526	BRACKET, PANEL	SUPPORT	1	-		
260	125010016374	HINGE, PANEL	PENTURE	2	-		
270	G3102-9105-0	SCREW, TAPPING	VIS	8	-		

↔ Interchangeable: ≠ not interchangeable: ← new for old: → old for new



# A004

# TERMINAL BORNE



G3116-005-10

A:GL11000-CAN

REF. No. POS. No.	PART No. REFERENCE	PART NAME	DESIGNATION	Q' TY/S. No. Q' TE/No. S.		I. C.	REMARKS REMARQUES
				A	B		
010	G3116-3115-0	BRACKET	SUPPORT	1	-		
020	125010007238	EMERGENCY UNIT	ENS. EMERGENCE	1	-		
030	125010005225	COMP. REGULATOR	REGULATEUR COMP.	1	-		
040	125010004915	TIMER, GLOW LAMP	TEMPORISATEUR	1	-		
050	125010005854	ASSY RELAY	ENS. RELAIS	1	-		
060	125010006246	RELAY, GLOW	RELAIS	1	-		
070	125010007578	COMP RELAY B	RELAIS	1	-		
080	125010017472	RELAY	RELAIS	1	-		
090	125010017459	ASSY TERMINAL, AMF	ENS. BORNE	1	-		
100	125010016440	SCREW	VIS	4	-		
110	125010007809	BOLT	VIS	2	-		
120	125010000213	BOLT	VIS	9	-		
130	125010007826	BOLT	VIS	2	-		
140	125010016524	WIRE HARNESS, ENG	FAISCEAU ELECTRIQUE	1	-		
150	125010017481	MARK, AMF	MARQUE	1	-		
160	125010017454	PLATE	PLAQUE	2	-		
170	125010014454	FUSE	FUSIBLE	1	-	50A	
180	125010017691	DIODE, S	DIODE, S	2	-		
190	125010007813	FASTENER	ATTACHE	5	-		
200	125010017463	ASSY CONTROLER	ENS. CONTROLER	1	-		
210	125010016357	WIRE HARNESS	HARNESS DE FIL	1	-		
220	125010016474	CLAMP, CORD	ATTACHE-FILS	1	-		
230	125010017460	FUSE	FUSIBLE	1	-	1A FOR AMF	
240	125010000316	BOLT, FLANGE	VIS DE BUTEE	4	-		
250	125010016453	FUSE	FUSIBLE	1	-	1A FOR ASSY CONTROL	

↔ Interchangeable: ≠ not interchangeable: ← new for old: → old for new



























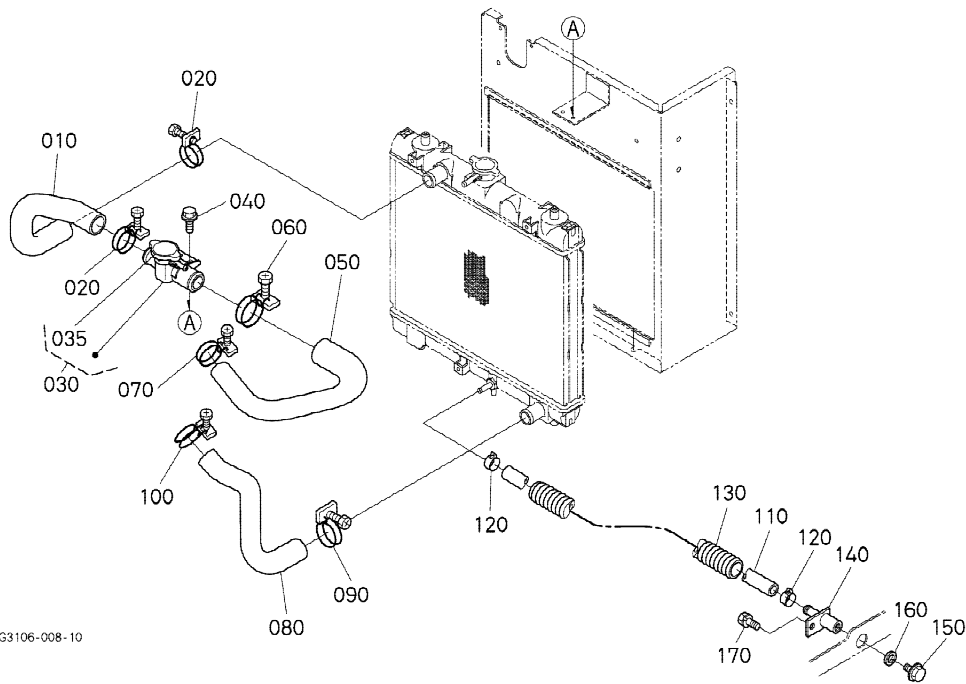






# A019

## WATER HOSE TUYAU D'EAU



G3106-008-10

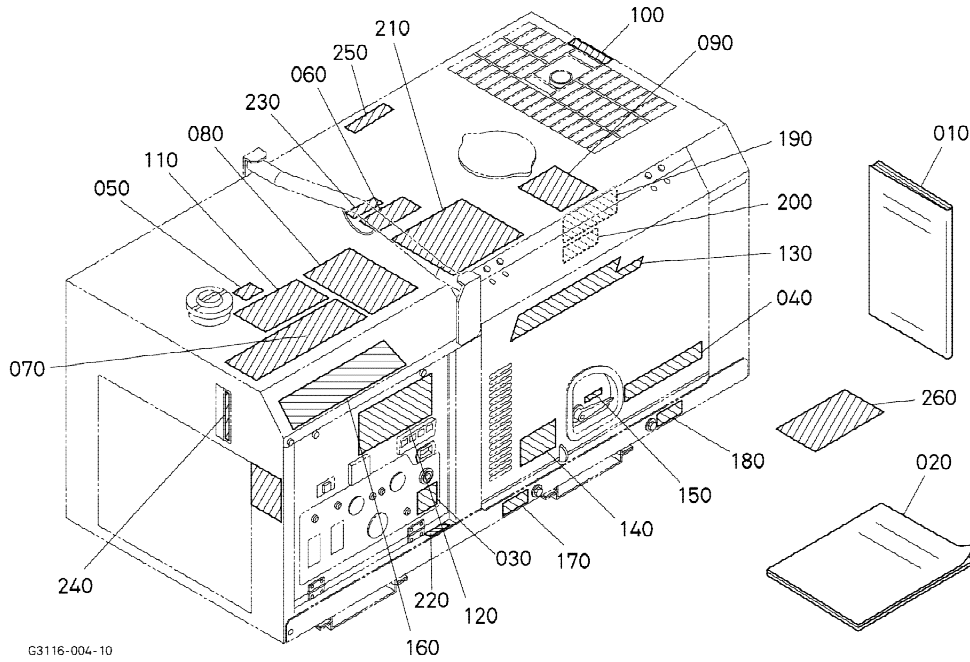
A: GL11000-CAN

REF. No. POS. No.	PART No. REFERENCE	PART NAME	DESIGNATION	Q' TY/S. No. Q' TE/No. S.		I. C.	REMARKS REMARQUES
				A	B		
010	125010010407	HOSE, WATER	TUYAU D'EAU	1	-		
020	125010014769	CLAMP, HOSE	COLLIER DE DURITE	2	-		
030	125010017654	ASSY CAP	ENS. BOUCHON	1	-		
035	125010007289	ASSY CAP	ENS. BOUCHON	1	-		
040	125010000297	BOLT, FLANGE	VIS DE BUTEE	2	-		
050	125010010391	HOSE, WATER	TUYAU D'EAU	1	-		
060	125010001273	CLAMP, HOSE	COLLIER DE DURITE	1	-		
070	125010001270	CLAMP, HOSE	COLLIER DE DURITE	1	-		
080	125010010390	HOSE, WATER LOWER	TUYAU D'EAU	1	-		
090	125010014796	CLAMP, HOSE	COLLIER DE DURITE	1	-		
100	125010001269	CLAMP, HOSE	COLLIER DE DURITE	1	-		
110	125010001354	TUBE, FUEL	TUYAU	1	-		
120	125010003120	CLIP, PIPE	ATTACHE	2	-		
130	125010016342	TUBE	TUYAU	1	-		
140	125010010393	JOINT, DRAIN PIPE	RACCORD DE TUYAU	1	-		
150	125010002562	PLUG, DRAIN	BOUCHON DE VIDANGE	1	-		
160	125010000602	GASKET	JOINT	1	-		
170	125010000297	BOLT, FLANGE	VIS DE BUTEE	1	-		

↔ Interchangeable: ≠ not interchangeable: ← new for old: → old for new







G3116-004-10

A:GL11000-CAN

REF. No. POS. No.	PART No. REFERENCE	PART NAME	DESIGNATION	Q' TY/S. No. Q' TE/No. S.		I. C.	REMARKS REMARQUES
				A	B		
010	G3106-8916-0	OPERATOR'S MANUAL	MANUEL DE L'UTILISA.	1	-		
020	125010010922	STATEMENT, WARRANTY	DECLARATION, GARANTIE	1	-		
030	125010016461	LABEL, CAUTION	ETIQUETTE	1	-		
040	125010016507	LABEL, GL	ETIQUETTE	1	-		
050	18974-5090-0	LABEL, FUEL	ETIQUETTE	1	-		
060	125010016460	LABEL, HOOK CAUTION	ETIQUETTE	1	-		
070	125010016458	LABEL, CAUTION, VENT	ETIQUETTE	1	-		
080	G3106-8823-0	LABEL, INSTRUCTION	ETIQUETTE	1	-		
090	125010016459	LABEL, RADIATOR CAUT.	ETIQUETTE	1	-		
100	125010016330	LABEL, HIGH TEMPERAT.	ETIQUETTE	1	-		
110	G3106-8841-0	LABEL, FUEL	ETIQUETTE	1	-		
120	125010034162	LABEL, WIRING CAUTION	ETIQUETTE	1	-		
130	125010016418	LABEL (LOWBOY)	ETIQUETTE	1	-		
140	125010034161	LABEL, CAUTION	ETIQUETTE	1	-		
150	125010032561	LABEL, HANDLE	ETIQUETTE POIGNEE	1	-		
160	125010016455	LABEL, KUBOTA	ETIQUETTE	1	-		
170	18974-5134-0	LABEL, DRAIN	ETIQUETTE	1	-		
180	18974-5135-0	LABEL, DRAIN	ETIQUETTE	1	-		
190	G3106-8833-0	LABEL, CAUTION	ETIQUETTE	1	-		
200	K3511-4719-0	LABEL, BATTERY	ETIQUETTE	1	-		
210	125010016437	LABEL	ETIQUETTE	1	-		
220	18422-8899-4	LABEL, INDICATOR	ETIQUETTE	1	-		
230	G3116-8847-0	LABEL, MASS	ETIQUETTE	1	-		
240	125010016434	LABEL, FE	ETIQUETTE	1	-		
250	125010016457	LABEL, HIGH TEMPERAT.	ETIQUETTE	1	-		
260	125010016512	MARK	MARQUE	1	-		

↔ Interchangeable: ≠ not interchangeable: ← new for old: → old for new