

ILLUSTRATED PARTS LIST
LISTE DES PIÈCES

Kubota

MODEL **GL7000-CAN**
MODELE

GENERATOR
GENERATEUR



M-K Power Products Corp.
3500 Laird Road, Unit 2
Mississauga, Ontario L5L 5Y4

PARTS - SALES - SERVICE - SOLUTIONS
800-263-5011 / www.M-K.com / parts@m-k.com

CONTENTS

[Z482-E2B-SEC-3]

| | | |
|------|-------------------------------------|----|
| 0001 | CRANK CASE | 1 |
| 0002 | OIL PAN | 2 |
| 0003 | CYLINDER HEAD | 3 |
| 0004 | GEAR CASE | 4 |
| 0005 | HEAD COVER | 6 |
| 0006 | OIL FILTER | 7 |
| 0007 | DIPSTICK AND GUIDE | 8 |
| 0008 | OIL PUMP | 9 |
| 0100 | MAIN BEARING CASE | 10 |
| 0101 | CAMSHAFT AND IDEL GEAR SHAFT | 11 |
| 0102 | PISTON AND CRANKSHAFT | 12 |
| 0103 | FLYWHEEL | 14 |
| 0105 | FUEL CAMSHAFT AND GOVERNOR SHAFT | 15 |
| 0180 | IDLE APPARATUS | 16 |
| 0201 | STOP SOLENOID | 17 |
| 0202 | INJECTION PUMP | 18 |
| 0205 | SPEED CONTROL PLATE | 19 |
| 0206 | NOZZLE HOLDER AND GLOW PLUG | 20 |
| 0207 | NOZZLE HOLDER (COMPONENT PARTS) | 21 |
| 0212 | FORK LEVER (GOVERNOR) | 23 |
| 0301 | FUEL PUMP (MECHANICAL) | 24 |
| 0404 | STARTER | 25 |
| 0405 | STARTER (COMPONENT PARTS) | 26 |
| 0406 | OIL SWITCH AND THERMOMETER AND PLUG | 27 |
| 0500 | WATER FLANGE AND THERMOSTAT | 28 |
| 0501 | WATER PUMP | 29 |
| 0503 | WATER PIPE | 30 |
| 0504 | FAN | 31 |
| 0506 | TENSION PULLEY | 32 |
| 0600 | VALVE AND ROCKER ARM | 33 |
| 0601 | INLET MANIFOLD | 34 |
| 0602 | EXHAUST MANIFOLD | 35 |
| 0903 | PISTON KIT (OPTION) | 36 |

[GL7000-CAN]

| | | |
|------|------------------|----|
| A001 | COOLING FAN | 37 |
| A002 | GENERATOR | 38 |
| A003 | CONTROL PANEL | 39 |
| A004 | TERMINAL | 41 |
| A005 | BATTERY | 42 |
| A006 | COMMON BASE | 43 |
| A007 | CENTER BEAM | 44 |
| A008 | FRONT FRAME | 45 |
| A009 | REAR FRAME | 46 |
| A010 | ROOF | 47 |
| A011 | CHECK DOOR | 48 |
| A012 | DRAIN PIPE (OIL) | 49 |
| A013 | AIR CLEANER | 50 |
| A014 | INLET PIPE | 51 |
| A015 | MUFFLER | 52 |

| | | |
|------|------------------|----|
| A016 | FUEL TANK | 53 |
| A017 | FUEL FILTER | 54 |
| A018 | RADIATOR | 55 |
| A019 | WATER HOSE | 56 |
| A020 | RESERVE TANK | 57 |
| A021 | ACCESSORIES | 58 |
| A022 | MANUAL AND LABEL | 59 |
| ■ | NUMERICAL INDEX | 60 |

SOMMAIRE

| | | | |
|---|------|---|----|
| [Z482-E2B-SEC-3] | A015 | SILENCIEUX | 52 |
| 0001 BLOC MOTEUR | A016 | RESERVOIR | 53 |
| 0002 CARTER D' HUILE | A017 | FILTRE A CARBURANT | 54 |
| 0003 CULASSE | A018 | RADIATEUR | 55 |
| 0004 CARTER DE DISTRIBUTION | A019 | TUYAU D' EAU | 56 |
| 0005 COUVRE-CULASSE | A020 | RESERVOIR | 57 |
| 0006 FILTRE D' HUILE | A021 | ACCESSOIRES | 58 |
| 0007 JAUGE D' HUILE ET GUIDE | A022 | ETIQUETTE ET MANUEL DE L' UTILISATEUR | 59 |
| 0008 POMPE D' HUILE | ■ | INDEX NUMERIQUE | 60 |
| 0100 PALIERS DE VILEBREQUIN | | | |
| 0101 ARBRE A CAMES | | | |
| 0102 PISTON ET VILEBREQUIN | | | |
| 0103 VOLANT MOTEUR | | | |
| 0105 ARBRE A CAMES DE CARBURANT | | | |
| 0180 LEVIER D' ARRET DU MOTEUR | | | |
| 0201 SOLENOIDE D' ARRET | | | |
| 0202 POMPE D' INJECTION | | | |
| 0205 PLAQUE DE VITESSE-CONTROLE | | | |
| 0206 PORTE-INJECTEUR ET BOUGIE DE PRECHAUFFAGE | | | 20 |
| 0207 PORTE-INJECTEUR (PARTIES COMPOSANTES) | | | 21 |
| 0212 LEVIER A FOURCHE | | | 23 |
| 0301 POMPE D' ALIMENTATION (MECHANIQUE) | | | 24 |
| 0404 DEMARREUR | | | 25 |
| 0405 DEMARREUR (PARTIES COMPOSANTES) | | | 26 |
| 0406 CONTACT A HUILE ET OBTURATEUR | | | 27 |
| 0500 BRIDE A EAU ET THERMOSTAT | | | 28 |
| 0501 POMPE A EAU | | | 29 |
| 0503 TUYAU D' EAU | | | 30 |
| 0504 VENTILATEUR | | | 31 |
| 0506 POULIE DE TENSION | | | 32 |
| 0600 SOUPAPES ET CULBUTEURS | | | 33 |
| 0601 COLLECTEUR D' ADMISSION | | | 34 |
| 0602 COLLECTEUR D' ECHAPPEMENT | | | 35 |
| 0903 PISTON COMPLET | | | 36 |
| [GL7000-CAN] | | | |
| A001 VENTILATEUR. REFROIDI | | | 37 |
| A002 GENERATEUR | | | 38 |
| A003 PLAQUE | | | 39 |
| A004 BORNE | | | 41 |
| A005 BATTERIE | | | 42 |
| A006 TEBLE COMPLETE | | | 43 |
| A007 POUTRE | | | 44 |
| A008 CHASSIS D' AVANT | | | 45 |
| A009 CHASSIS D' ARRIERE | | | 46 |
| A010 TOIT | | | 47 |
| A011 VERIFIEZ LA PORTE | | | 48 |
| A012 TUYAU DE VIDANGE | | | 49 |
| A013 FILTRE A AIR | | | 50 |
| A014 TUYAU D' ADMISSION | | | 51 |

ALPHABETICAL INDEX

MODEL : GL7000-CAN

| PART NAME | PAGE | PART NAME | PAGE |
|--------------------------------------|------|-----------------------------------|------|
| -A- | | -E- | |
| AIR CLEANER..... | 50 | ENGINE BRACKET..... | 43 |
| AIR CLEANER [COMPONET PARTS]..... | 50 | ENGINE HOOK..... | 3 |
| AIR CLEANER CASE..... | 50 | ENGINE STOP LEVER..... | 16 |
| AIR CLEANER ELEMENT..... | 50 | | 19 |
| | 54 | ENGINE STOP SOLENOID..... | 17 |
| AIR CLEANER ELEMENT, INNER..... | 50 | EXHAUST MANIFOLD..... | 35 |
| AIR FILTER..... | 50 | EXHAUST MANIFOLD GASKET..... | 35 |
| | 54 | EXHAUST PIPE..... | 52 |
| AIR FILTER, INNER..... | 50 | EXHAUST VALVE..... | 33 |
| ALTERNATOR [COMPONENT PARTS]..... | 38 | EXHAUST VALVE GUIDE..... | 3 |
| -B- | | -F- | |
| BATTERY CABLE..... | 42 | FAN..... | 37 |
| BATTERY GROUND CABLE..... | 42 | FAN BELT DRIVE PULLEY..... | 31 |
| BEARING CASE COVER..... | 10 | FAN PULLEY..... | 31 |
| BELL HOUSING..... | 14 | FLYWHEEL..... | 14 |
| BELT..... | 31 | FLYWHEEL HOUSING..... | 14 |
| BREAKER..... | 39 | FORK LEVER..... | 23 |
| BREATHER PIPE..... | 34 | FRONT AXLE MOUNT..... | 38 |
| BREATHER TUBE..... | 6 | FUEL CAMSHAFT..... | 15 |
| -C- | | | 15 |
| CAB BRACKET REAR..... | 38 | FUEL FILTER..... | 54 |
| CAM GEAR..... | 11 | FUEL FILTER[COMPONENT PARTS]..... | 54 |
| CAMSHAFT..... | 11 | | 54 |
| CAMSHAFT IDLE GEAR..... | 11 | FUEL HOSE..... | 18 |
| CAP, FUEL TANK..... | 14 | FUEL PUMP..... | 24 |
| | 16 | FUEL PUMP COVER..... | 24 |
| | 19 | FUEL TANK..... | 53 |
| | 57 | FUEL TANK CAP..... | 14 |
| CARTRIDGE, OIL FILTER..... | 53 | | 16 |
| CONNECTING ROD..... | 12 | | 19 |
| CONNECTING ROD BEARING..... | 12 | | 53 |
| CONNECTOR..... | 38 | FUEL TUBE..... | 53 |
| CONTROL VALVE [COMPONENT PARTS]..... | 39 | | 56 |
| CRANKCASE..... | 1 | FUSE..... | 41 |
| CRANKPIN METAL..... | 12 | | 58 |
| | 12 | FUSE BOX..... | 39 |
| CRANKSHAFT..... | 12 | -G- | |
| CRANKSHAFT GEAR..... | 12 | GASKET, CYLINDER HEAD..... | 3 |
| CRANKSHAFT METAL..... | 12 | | 36 |
| | 12 | GASKET, EXHAUST MANIFOLD..... | 35 |
| | 12 | GASKET, INTAKE MANIFOLD..... | 34 |
| CYLINDER HEAD..... | 3 | GASKET, MUFFLER..... | 35 |
| CYLINDER HEAD COVER..... | 6 | | 52 |
| CYLINDER HEAD COVER GASKET..... | 6 | GEAR CASE..... | 4 |
| CYLINDER HEAD GASKET..... | 3 | GEAR CASE GASKET..... | 4 |
| | 36 | GLOW LAMP TIMER..... | 41 |
| -D- | | GLOW PLUG..... | 20 |
| DECALS..... | 50 | GLOW PLUG CORD..... | 20 |
| | 59 | GLOW RELAY..... | 41 |
| DIPSTICK..... | 8 | GOVERNOR..... | 19 |
| DUST PROOF RUBBER..... | 43 | | 23 |
| | 55 | GOVERNOR ADJUSTING BOLT..... | 16 |
| DYNAMO [COMPONENT PARTS]..... | 38 | GOVERNOR CASE..... | 15 |
| | | GOVERNOR LEVER..... | 19 |

ALPHABETICAL INDEX

MODEL : GL7000-CAN

| PART NAME | PAGE | PART NAME | PAGE |
|---------------------------------------|------|---------------------------------|------|
| -H- | | OIL DRAIN PLUG | 1 |
| HEAD COVER GASKET | 6 | | 3 |
| HEAD GASKET | 3 | | 4 |
| | 36 | | 27 |
| HOOR METER | 39 | | 49 |
| HYDRAULIC COUPLER HOSE | 57 | | 53 |
| HYDRAULIC OIL FILTER | 53 | | 56 |
| HYDRAULIC OIL LINE | 57 | OIL FILLER PLUG | 2 |
| | | | 6 |
| -I- | | OIL FILTER | 2 |
| IDLE APPARATUS | 16 | OIL GAUGE | 8 |
| IDLE GEAR | 11 | OIL GAUGE GUIDE | 8 |
| IDLE GEAR SHAFT | 11 | OIL PAN | 2 |
| IGNITION SWITCH | 39 | OIL PAN GASKET | 2 |
| INJECTION PIPE | 20 | OIL PRESSURE SENDING UNIT | 27 |
| INJECTION PUMP | 18 | OIL PUMP | 9 |
| INJECTION PUMP GEAR | 15 | OIL SEAL | 4 |
| INLET VALVE | 33 | | 10 |
| INSTRUCTION MANUAL | 59 | OIL SWITCH | 27 |
| INTAKE HOSE | 51 | OPERATOR'S MANUAL | 59 |
| INTAKE MANIFOLD | 34 | | |
| INTAKE MANIFOLD GASKET | 34 | -P- | |
| INTAKE VALVE | 33 | PISTON | 12 |
| INTAKE VALVE GUIDE | 3 | | 36 |
| | | PISTON AND RING KIT | 36 |
| -K- | | PISTON PIN | 12 |
| KUBOTA LABEL | 59 | PISTON PIN BUSH | 12 |
| | | PISTON RING | 12 |
| -L- | | | 36 |
| LABEL | 59 | PROTECTOR | 39 |
| LABELS | 50 | PTO SHAFT | 14 |
| | 59 | PULLEY, TENSION | 32 |
| | | PUSH ROD | 11 |
| -M- | | | 21 |
| MAIN BEARING | 12 | -R- | |
| MAIN BEARING CASE | 10 | RADIATOR | 55 |
| MAIN SWITCH | 39 | RADIATOR CAP | 56 |
| MANIFOLD GASKET, EXHAUST | 35 | | 57 |
| MANIFOLD GASKET, INTAKE | 34 | RADIATOR HOSE | 30 |
| MANIFOLD, EXHAUST | 35 | | 30 |
| MANIFOLD, INLET | 34 | RECEPTACLE | 39 |
| MUFFLER | 52 | REGULATOR | 41 |
| MUFFLER GASKET | 35 | RELAY | 41 |
| | 52 | RESERVE TANK | 57 |
| MUFFLER PIPE | 52 | RING GEAR | 14 |
| | 58 | ROCKER ARM | 33 |
| | | ROCKER ARM SHAFT | 33 |
| -N- | | | |
| NOISE ABSORBER | 45 | -S- | |
| | 55 | SPEED CONTROL LEVER | 19 |
| NOZZLE HOLDER | 20 | SPEED CONTROL PLATE | 19 |
| | 20 | | 19 |
| | 21 | STARTER | 25 |
| NOZZLE HOLDER [COMPONENT PARTS] | 21 | | 26 |
| | | STARTER SWITCH | 39 |
| | | | 39 |
| -O- | | | |

ALPHABETICAL INDEX

MODEL : GL7000-CAN

| PART NAME | PAGE | PART NAME | PAGE |
|-------------------------------|------|---------------------|------|
| STARTER[COMPONENT PARTS]..... | 26 | WHEEL BOLT..... | 29 |
| | 26 | | 31 |
| STOP SOLENOID..... | 17 | | 33 |
| SWITCH..... | 39 | | 34 |
| SWITCH, STARTER..... | 39 | | 35 |
| | | | 38 |
| -T- | | | 39 |
| | | | 40 |
| TAPPET..... | 11 | | 41 |
| TEMPERATURE SENDING UNIT..... | 28 | | 43 |
| TENSION PULLEY..... | 31 | WHEEL LUG NUT..... | 4 |
| | 32 | | 16 |
| | 32 | | 18 |
| THERMOMETER SWITCH..... | 28 | | 19 |
| THERMOSTAT..... | 28 | | 21 |
| THERMOSTAT COVER..... | 28 | | 25 |
| TIMER..... | 41 | | 32 |
| | | | 33 |
| -U- | | | 35 |
| | | | 39 |
| UNLOADER VALVE..... | 50 | | 52 |
| | | WHEEL STUD..... | 4 |
| -V- | | | 18 |
| | | | 30 |
| VALVE COVER..... | 6 | | 35 |
| VALVE GUIDE..... | 3 | WIRING HARNESS..... | 38 |
| VALVE SPRING..... | 33 | | 41 |
| | 54 | | 43 |
| VALVE, EXHAUST..... | 33 | -Y- | |
| VALVE, INTAKE..... | 33 | | |
| VALVE, UNLOADER..... | 50 | YOKE..... | 26 |
| | | | |
| -W- | | | |
| | | | |
| WATER FLANGE..... | 28 | | |
| WATER FLANGE GASKET..... | 28 | | |
| WATER HOSE..... | 30 | | |
| | 56 | | |
| WATER PIPE..... | 30 | | |
| | 30 | | |
| | 56 | | |
| WATER PUMP..... | 29 | | |
| WATER PUMP FLANGE..... | 29 | | |
| WATER RETURN HOSE..... | 6 | | |
| | 28 | | |
| | 29 | | |
| WHEEL BOLT..... | 2 | | |
| | 3 | | |
| | 4 | | |
| | 5 | | |
| | 6 | | |
| | 9 | | |
| | 10 | | |
| | 11 | | |
| | 14 | | |
| | 15 | | |
| | 19 | | |
| | 23 | | |
| | 24 | | |
| | 25 | | |
| | 26 | | |
| | 28 | | |

INDEX ALPHABETIQUE

MODELE : GL7000-CAN

| DESIGNATION | PAGE | DESIGNATION | PAGE |
|--|------|---|------|
| -A- | | | |
| ALTERNATEUR [PARTIES COMPOSANTES]..... | 38 | COURONNE DE DEMARREUR..... | 14 |
| ANNEAU DE LEVAGE..... | 3 | COURROIE..... | 31 |
| ARBRE A CAMES..... | 11 | COUSSINET DE BIELLE..... | 12 |
| | 15 | | 12 |
| | 15 | COUSSINET DE VILEBREQUIN..... | 12 |
| ARBRE DE PIGNON FOU..... | 11 | | 12 |
| ARBRE PRISE DE FORCE..... | 14 | COUV. THERMOSTAT..... | 28 |
| AXE D'ACCELERATEUR..... | 19 | COUVERCLE DE CULASSE..... | 6 |
| AXE DE CULBUTEUR..... | 33 | COUVERCLE DE POMPE D'ALIMENTATION..... | 24 |
| AXE DE PISTON..... | 12 | CULASSE..... | 3 |
| | | CULBUTEUR..... | 33 |
| | | CUVETTE DE BILLES..... | 15 |
| -B- | | -D- | |
| BAGUE DE BIELLE..... | 12 | DEMARREUR..... | 25 |
| BAGUE JOINT..... | 4 | | 26 |
| | 10 | DEMARREUR [PARTIES COMPOSANTES]..... | 26 |
| BIELLE..... | 12 | | 26 |
| BIELLE METAL..... | 12 | DISPOSITIF RALENT..... | 16 |
| BLOC MOTEUR..... | 1 | DISTRIBUTEUR [PARTIES COMPOSANTES]..... | 39 |
| BOITE DE FUSIBLE..... | 39 | | |
| BOUCHON DE RADIATEUR..... | 56 | -E- | |
| | 57 | ECROU DE ROUE..... | 4 |
| BOUCHON DE RESERVOIR A CARBURANT..... | 14 | | 16 |
| | 16 | | 18 |
| | 19 | | 19 |
| | 53 | | 21 |
| | 57 | | 25 |
| BOUCHON DE VIDANGE..... | 1 | | 32 |
| | 3 | | 33 |
| | 4 | | 35 |
| | 27 | | 39 |
| | 49 | | 52 |
| | 53 | ELECTROAIMANT..... | 17 |
| | 56 | ELEMENT DE FILTRE A AIR..... | 50 |
| BOUCHON REMPLIS HUILE..... | 2 | | 54 |
| | 6 | ELEMENT D'INJECTEUR..... | 21 |
| BOUGIE DE PRECHAUFFAGE..... | 20 | ENGRE, POMPE D'INJECTION..... | 15 |
| BRIDE A EAU..... | 28 | ETIQUETTE..... | 59 |
| BRIDE DE POMPE A EAU..... | 29 | | 59 |
| BRUIT AMORTISSEUR..... | 45 | ETIQUETTE-KUBOTA..... | 59 |
| | 55 | | |
| -C- | | -F- | |
| CABLE DE BATTERIE..... | 42 | FIL DE BOUGIE PRECHAUFFAGE..... | 20 |
| CABLE DE TERRE..... | 42 | FILTRE A AIR..... | 50 |
| CAOUTCHOUC A POUSSIERE..... | 43 | FILTRE A AIR [PARTIES COMPOSANTES]..... | 50 |
| | 55 | FILTRE A CARBURANT..... | 54 |
| CARTER DE DISTRIBUTION..... | 4 | FILTRE A CARBURANT [PARTIES COMPOSANTES]..... | 54 |
| CARTER DE VOLANT MOTEUR..... | 14 | | 54 |
| CARTER D'HUILE..... | 2 | FILTRE D'HUILE..... | 2 |
| CARTOUCHE D'HUILE..... | 53 | | 53 |
| CHAPE..... | 26 | FUSIBLE..... | 41 |
| CIRCUIT HYDRAULIQUE..... | 57 | | 58 |
| COLLECTEUR D'ADMISSION..... | 34 | -G- | |
| COLLECTEUR D'ECHAPPEMENT..... | 35 | GOUJON FILETE DE ROUE..... | 4 |
| COMPTEUR D'HEURES..... | 39 | | |
| CONNECTEUR..... | 38 | | |
| CONTACTEUR A CLE..... | 39 | | |
| | 39 | | |

INDEX ALPHABETIQUE

MODELE : GL7000-CAN

| DESIGNATION | PAGE | DESIGNATION | PAGE |
|-------------------------------------|------|--|------|
| GOUJON FILETE DE ROUE..... | 18 | POMPE A HUILE..... | 9 |
| | 30 | POMPE D' ALIMENTATION..... | 24 |
| | 35 | POMPE D' INJECTION..... | 18 |
| GUIDE DE JAUGE A HUI..... | 8 | PORTE JOINT..... | 10 |
| GUIDE DE SOUP. D' ADMISS..... | 3 | PORTE-INJECTEUR..... | 20 |
| GUIDE DE SOUP. D' ECHAP..... | 3 | | 20 |
| GUIDE DE SOUPAPE..... | 3 | PORTE-INJECTEUR [PARTIES COMPOSANTES]..... | 21 |
| -H- | | POULIE DE ENTRAIN VENTILATEUR..... | 31 |
| HARNESS DE FIL..... | 38 | POULIE DE TENSION..... | 31 |
| | 41 | | 32 |
| | 43 | POULIE DE VENTILATEUR..... | 31 |
| -I- | | POUSSOIR..... | 11 |
| INTERRUPTEUR..... | 39 | -R- | |
| INTERRUPTEUR THERMOMET..... | 28 | RADIATEUR..... | 55 |
| -J- | | REGULATEUR..... | 41 |
| JAUGE DE NIVEAU..... | 8 | REGULATEUR DE VITESSES..... | 19 |
| JEU DE PISTON ET DE SEGMENTS..... | 36 | | 23 |
| JOINT COUVRE-CULASSE..... | 6 | RELAIS..... | 41 |
| JOINT DE BRIDE..... | 28 | RELAIS DE PRECHAUFFAGE..... | 41 |
| JOINT DE CARTER DISTR..... | 4 | RESERVOIR A CARBURANT..... | 53 |
| JOINT DE COLLECTEUR ADMISSION..... | 34 | RESSORT DE SOUPAPE..... | 33 |
| JOINT DE COLLECTEUR ECHAPMENT..... | 35 | | 54 |
| JOINT DE COUVERCLE CULASSE..... | 6 | -S- | |
| JOINT DE CULASSE..... | 3 | SILENCIEUX..... | 52 |
| | 36 | SOLENOIDE D' ARRET..... | 17 |
| JOINT DE SILENCIEUX..... | 35 | SOUPAPE COUVERCLE..... | 6 |
| | 52 | SOUPAPE D' ADMISSION..... | 33 |
| JUE DE SEGMENTS..... | 12 | SOUPAPE DE DERIVATIO..... | 50 |
| | 36 | SOUPAPE D' ECHAPMENT..... | 33 |
| -L- | | SUPPORT DE CABINE ARRIERE..... | 38 |
| LEVIER A FOURCHE..... | 23 | SUPPORT DE MOTEUR..... | 43 |
| LEVIER D' ARRET..... | 19 | -T- | |
| LEVIER D' ARRET DU MOTEUR..... | 16 | TEMPORISATEUR..... | 41 |
| LEVIER DE VIT-CONTROL..... | 19 | THERMOSTAT..... | 28 |
| -M- | | TIGE DE POUSSOIR..... | 11 |
| MANO CONTACT D' HUILE..... | 27 | | 21 |
| MANUEL D' INSTRUCTION..... | 59 | TUBE D' ASPIRATEUR..... | 6 |
| -P- | | TUBE DE CARBURANT..... | 53 |
| PALIER..... | 38 | | 56 |
| PALIER DE VILEBREQUIN..... | 10 | TUYAU BY-PASS..... | 6 |
| PALIER PRINCIPAL..... | 12 | | 28 |
| PIGNON DE CAMES..... | 11 | | 29 |
| PIGNON DE FOU..... | 11 | TUYAU CARBURANT..... | 18 |
| PIGNON DE VILEBREQUIN..... | 12 | TUYAU DE REINFLARD..... | 34 |
| PISTON..... | 12 | TUYAU DE SILENCIEUX..... | 52 |
| | 36 | | 58 |
| PLATEAU DE LIMITEUR DE VITESSE..... | 19 | TUYAU D' EAU..... | 30 |
| | 19 | | 30 |
| POMPE A EAU..... | 29 | TUYAU D' ECHAPPEMENT..... | 52 |
| | 19 | TUYAU D' INJECTEUR..... | 20 |
| | 19 | TUYAU HYDRAULIQUE..... | 57 |
| | 29 | -V- | |

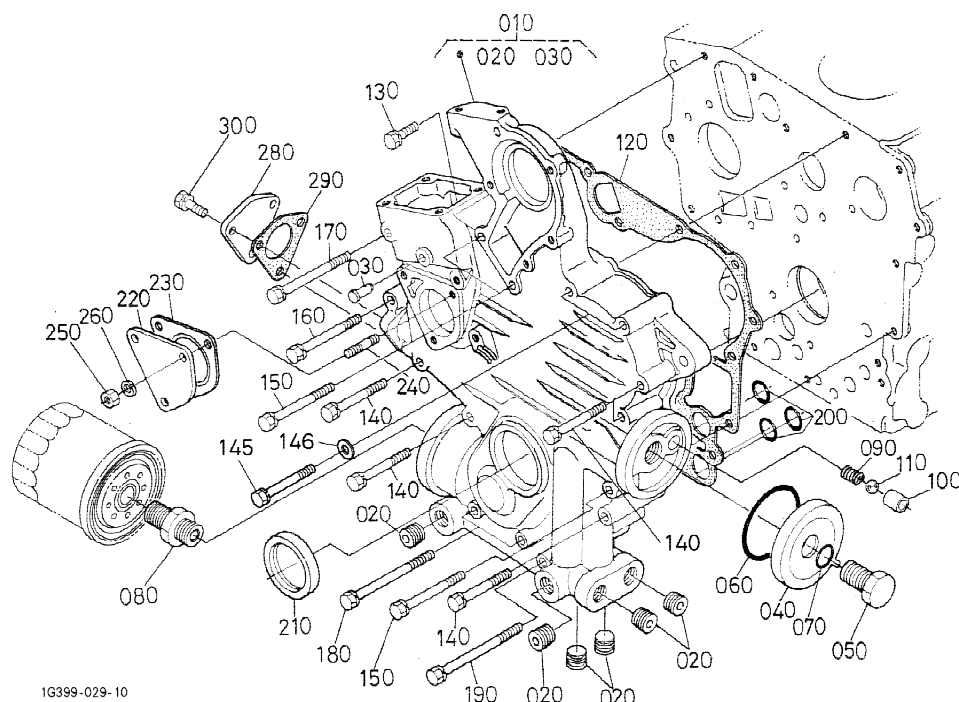
INDEX ALPHABETIQUE

MODELE : GL7000-CAN

| DESIGNATION | PAGE | |
|--------------------------------|------|--|
| VASE D' EXPANSION..... | 57 | |
| VENTILATEUR..... | 37 | |
| VILEBREQUIN..... | 12 | |
| VIS DE REGLAGE DE VITESSE..... | 16 | |
| VIS DE ROUE..... | 2 | |
| | 3 | |
| | 4 | |
| | 5 | |
| | 6 | |
| | 9 | |
| | 10 | |
| | 11 | |
| | 14 | |
| | 15 | |
| | 19 | |
| | 23 | |
| | 24 | |
| | 25 | |
| | 26 | |
| | 28 | |
| | 29 | |
| | 31 | |
| | 33 | |
| | 34 | |
| | 35 | |
| | 38 | |
| | 39 | |
| | 40 | |
| | 41 | |
| | 43 | |
| VOLANT MOTEUR..... | 14 | |

0004

**GEAR CASE
CARTER DE DISTRIBUTION**

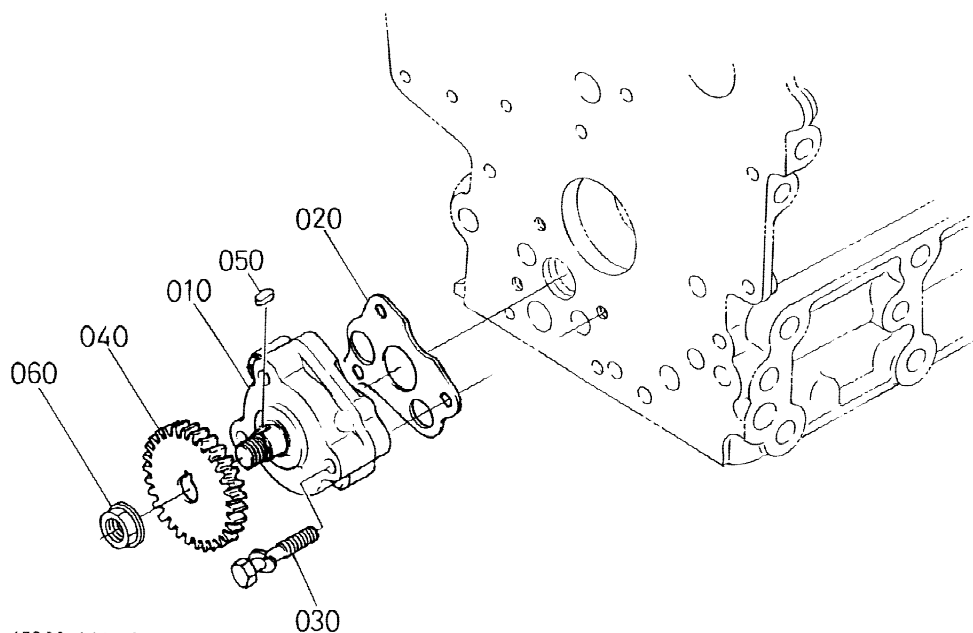


1G399-029-10

A:Z482-E2B-SEC-3

| REF. No. POS. No. | PART No. REFERENCE | PART NAME | DESIGNATION | Q' TY/S. No. Q' TE/No. S. | | I. C. | REMARKS REMARQUES |
|----------------------|-----------------------|-----------------------|----------------------|------------------------------|---|-------|----------------------|
| | | | | A | B | | |
| 010 | 125010035949 | COMP. CASE, GEAR | CARTER DISTR. COMP. | 1 | - | | |
| 020 | 125010004594 | PLUG | BOUCHON | 8 | - | | |
| 030 | 125010005127 | PIN, START SPRING | GOUPILLE DU RESSORT | 1 | - | | |
| 040 | 125010011297 | COVER | COUVERCLE | 1 | - | | |
| 050 | 125010005846 | BOLT | VIS | 1 | - | | |
| 060 | 125010000704 | O RING | JOINT TORIQUE | 1 | - | | |
| 070 | 125010000681 | O RING | JOINT TORIQUE | 1 | - | | |
| 080 | 125010003688 | JOINT, PIPE | RACCORD DE TUYAU | 1 | - | | |
| 090 | 125010006894 | SPRING | RESSORT | 1 | - | | |
| 100 | 106010002966 | SEAT, VALVE | SIEGE DE SOUPAPE | 1 | - | | |
| 110 | 125010000914 | BALL | BILLE | 1 | - | | |
| 120 | 125010005320 | GASKET, GEAR CASE NA | JOINT DE CARTER-DIS. | 1 | - | | |
| 130 | 125010000005 | BOLT | VIS | 1 | - | | |
| 140 | 125010000031 | BOLT | VIS | 5 | - | | |
| 145 | 125010000018 | BOLT | VIS | 2 | - | | |
| 146 | 125010000514 | WASHER, PLAIN | RONDELLE FREIN | 2 | - | | |
| 150 | 125010005154 | BOLT | VIS | 3 | - | | |
| 160 | 125010000019 | BOLT | VIS | 1 | - | | |
| 170 | 125010000021 | BOLT | VIS | 1 | - | | |
| 180 | 125010000023 | BOLT | VIS | 2 | - | | |
| 190 | 125010007672 | BOLT | VIS | 1 | - | | |
| 200 | 125010000693 | O RING | JOINT TORIQUE | 3 | - | | |
| 210 | 125010005357 | SEAL, OIL | BAGUE JOINT | 1 | - | | |
| 220 | 125010008588 | COVER | COUVERCLE | 1 | - | | |
| 230 | 125010008589 | GASKET, H/M GEAR CASE | JOINT | 1 | - | | |
| 240 | 125010003600 | STUD | GOUJON | 3 | - | | |
| 250 | 125010000408 | NUT | ECROU | 3 | - | | |
| 260 | 125010000535 | WASHER, SPRING | RONDELLE GROWER | 3 | - | | |
| 270 | --- | BLANK | BLANC | - | - | | |
| 280 | 125010008757 | COVER | COUVERCLE | 1 | - | | |

↔ Interchangeable: ≠ not interchangeable: ← new for old: → old for new



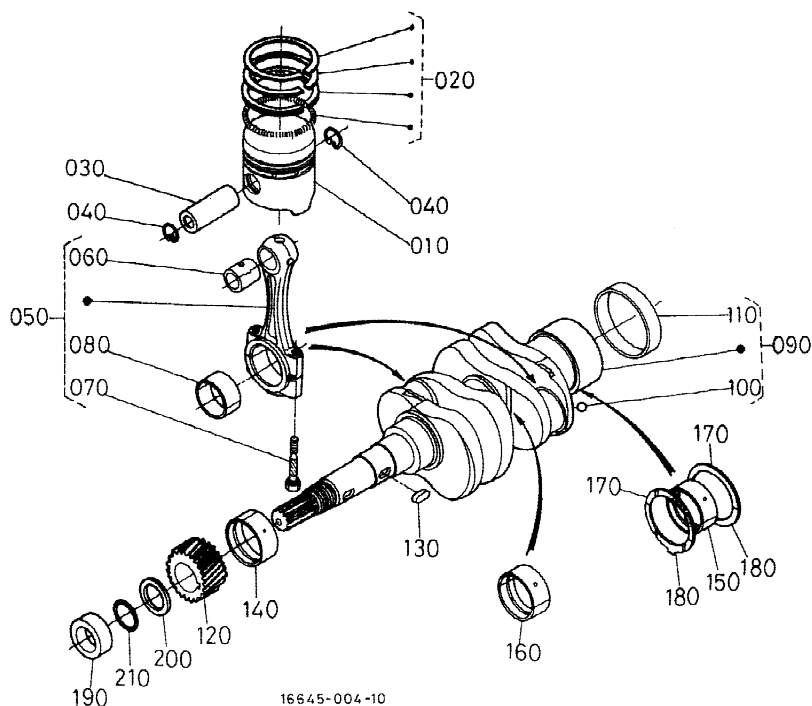
17060-002-13

A:Z482-E2B-SEC-3

| REF. No. POS. No. | PART No. REFERENCE | PART NAME | DESIGNATION | Q' TY/S. No. Q' TE/No. S. | | I. C. | REMARKS REMARQUES |
|----------------------|-----------------------|----------------------|-----------------------|------------------------------|---|-------|----------------------|
| | | | | A | B | | |
| 010 | 125010006891 | ASSY PUMP, OIL | ENS. POMPE A HUILE | 1 | - | | |
| 020 | 125010006892 | GASKET, OIL PUMP NA | JOINT POMPE A HUILE | 1 | - | | |
| 030 | 128010005157 | BOLT | VIS | 3 | - | | |
| 040 | 125010011405 | GEAR, OIL PUMP DRIVE | PIGNON ENTRAIN. POMPE | 1 | - | | |
| 050 | 125010000839 | KEY, FEATHER | CLAVETTE | 1 | - | | |
| 060 | 125010000444 | NUT, FLANGE | ECROU A EMBASE | 1 | - | | |
| | | | | | | | |
| | | | | | | | |
| | | | | | | | |
| | | | | | | | |
| | | | | | | | |
| | | | | | | | |
| | | | | | | | |
| | | | | | | | |
| | | | | | | | |
| | | | | | | | |
| | | | | | | | |
| | | | | | | | |
| | | | | | | | |
| | | | | | | | |
| | | | | | | | |
| | | | | | | | |
| | | | | | | | |
| | | | | | | | |
| | | | | | | | |
| | | | | | | | |

0102

PISTON AND CRANKSHAFT PISTON ET VILEBREQUIN



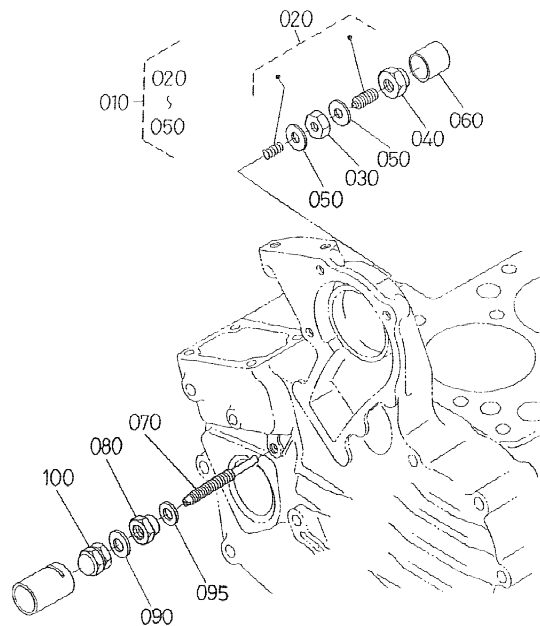
16645-004-10

A:Z482-E2B-SEC-3

| REF. No. POS. No. | PART No. REFERENCE | PART NAME | DESIGNATION | Q' TY/S. No. Q' TE/No. S. | | I. C. | REMARKS REMARQUES |
|----------------------|-----------------------|----------------------|----------------------|------------------------------|---|-------|----------------------|
| | | | | A | B | | |
| 010 | 125010006877 | PISTON | PISTON | 2 | - | | STD |
| 010 | 125010006878 | PISTON | PISTON | 2 | - | | +0.25mm |
| 020 | 125010006932 | ASSY PISTON RING | ENS. SEGMENT | 2 | - | | STD |
| 020 | 125010006933 | ASSY PISTON RING | ENS. SEGMENT | 2 | - | | +0.25mm |
| 030 | 125010007017 | PIN, PISTON | AXE DE PISTON | 2 | - | | |
| 040 | 125010003744 | CIR CLIP, PISTON PIN | CIRCLIP | 4 | - | | |
| 050 | 125010011404 | ASSY ROD, CONNECTING | ENS. BIELLE | 2 | - | | |
| 060 | 125010006880 | BUSH, PISTON PIN | BAGUE DE BIELLE | 2 | - | | +0.30mm |
| 070 | 125010006881 | BOLT, CONNECTING ROD | VIS DE BIELLE | 4 | - | | |
| 080 | 125010005294 | METAL, CRANKPIN M | COUSSINET DE BIELLE | 2 | - | | STD SET |
| 080 | 125010005295 | METAL, CRANKPIN | COUSSINET DE BIELLE | 2 | - | | -0.20mm SET |
| 080 | 125010005296 | METAL, CRANKPIN | COUSSINET DE BIELLE | 2 | - | | -0.40mm SET |
| 090 | 125010006934 | ASSY CRANKSHAFT | VILEBREQUIN, ASS | 1 | - | | |
| 100 | 125010000912 | BALL | BILLE | 2 | - | | |
| 110 | 125010008316 | SLEEVE, CRANKSHAFT | FRETTE ARRIERE | 1 | - | | |
| 120 | 125010005074 | GEAR, CRANK | PIGNON | 1 | - | | |
| 130 | 125010000844 | KEY, FEATHER | CLAVETTE | 1 | - | | |
| 140 | 125010005298 | METAL, CRANKSHAFT | COUSSINET DE VILEBR. | 1 | - | | STD |
| 140 | 125010005302 | METAL, CRANKSHAFT | COUSSINET DE VILEBR. | 1 | - | | -0.20mm |
| 140 | 125010005303 | METAL, CRANKSHAFT | COUSSINET DE VILEBR. | 1 | - | | -0.40mm |
| 150 | 125010004908 | METAL, CRANKSHAFT M | COUSSINET DE VILEBR. | 1 | - | | STD SET |
| 150 | 125010004911 | METAL, CRANKSHAFT | COUSSINET DE VILEBR. | 1 | - | | -0.20mm SET |
| 150 | 125010004912 | METAL, CRANKSHAFT | COUSSINET DE VILEBR. | 1 | - | | -0.40mm SET |
| 160 | 125010005299 | METAL, CRANKSHAFT | COUSSINET DE VILEBR. | 1 | - | | STD SET |
| 160 | 125010005300 | METAL, CRANKSHAFT | COUSSINET DE VILEBR. | 1 | - | | -0.20mm SET |
| 160 | 125010005301 | METAL, CRANKSHAFT | COUSSINET DE VILEBR. | 1 | - | | -0.40mm SET |
| 170 | 125010003750 | METAL, SIDE | COUSSINET DE LATERAL | 2 | - | | STD |
| 170 | 125010003752 | METAL, SIDE | COUSSINET DE LATERAL | 2 | - | | +0.20mm |
| 170 | 125010003754 | METAL, SIDE | COUSSINET DE LATERAL | 2 | - | | +0.40mm |
| 180 | 125010003751 | METAL, SIDE | COUSSINET DE LATERAL | 2 | - | | STD |

↔ Interchangeable: ≠ not interchangeable: ← new for old: → old for new

0180 IDLE APPARATUS LEVIER D'ARRET DU MOTEUR



1G669-012-10

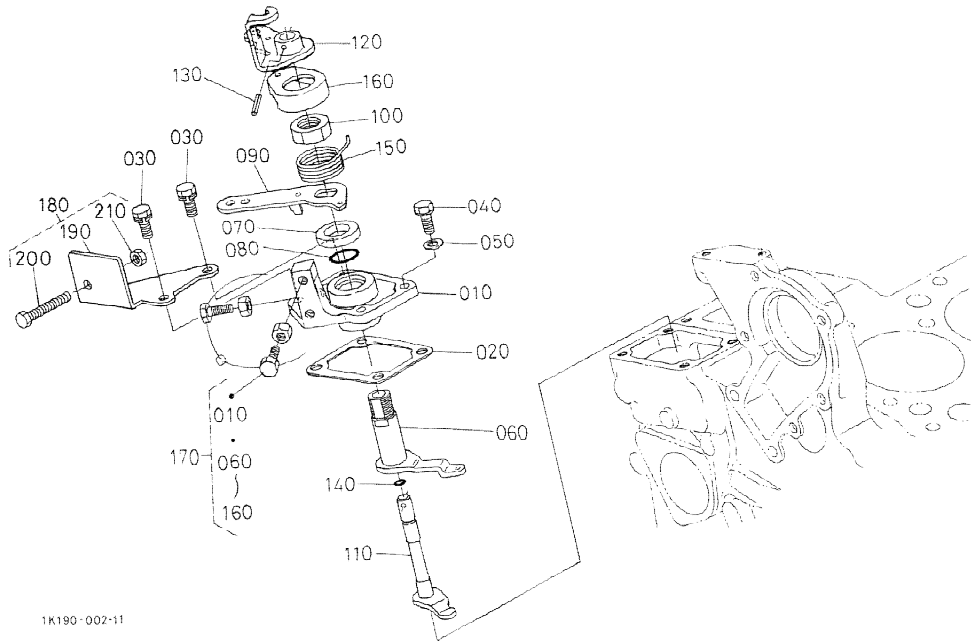
A: Z482-E2B-SEC-3

| REF. No. POS. No. | PART No. REFERENCE | PART NAME | DESIGNATION | Q' TY/S. No. Q' TE/No. S. | | I. C. | REMARKS REMARQUES |
|----------------------|-----------------------|-----------------------|----------------------|------------------------------|---|-------|----------------------|
| | | | | A | B | | |
| 010 | 125010005112 | ASSY APPARATUS, IDLE | DISPOSITIF, RALENTI. | 1 | - | | |
| 020 | 125010005113 | ASSY BOLT, ADJUSTMENT | ENS. BOULON AU POINT | 1 | - | | |
| 030 | 125010003808 | NUT | ECROU | 1 | - | | |
| 040 | 125010005115 | NUT | ECROU | 1 | - | | |
| 050 | 125010003380 | GASKET | JOINT | 2 | - | | |
| 060 | 125010005116 | CAP | BOUCHON | 1 | - | | |
| 070 | 125010005114 | BOLT, ADJUSTING | VIS REGLAGE | 1 | - | | |
| 080 | 125010010131 | NUT, LOCK | CONTRE-ECROU | 1 | - | | |
| 090 | 125010004796 | GASKET | JOINT | 1 | - | | |
| 095 | 125010010127 | GASKET | JOINT | 1 | - | | |
| 100 | 125010005164 | NUT | ECROU | 1 | - | | |
| | | | | | | | |
| | | | | | | | |
| | | | | | | | |
| | | | | | | | |
| | | | | | | | |
| | | | | | | | |
| | | | | | | | |
| | | | | | | | |
| | | | | | | | |
| | | | | | | | |
| | | | | | | | |
| | | | | | | | |
| | | | | | | | |
| | | | | | | | |
| | | | | | | | |
| | | | | | | | |
| | | | | | | | |
| | | | | | | | |

↔ Interchangeable: ≠ not interchangeable: ← new for old: → old for new

0205

SPEED CONTROL PLATE PLAQUE DE VITESSE-CONTROLE



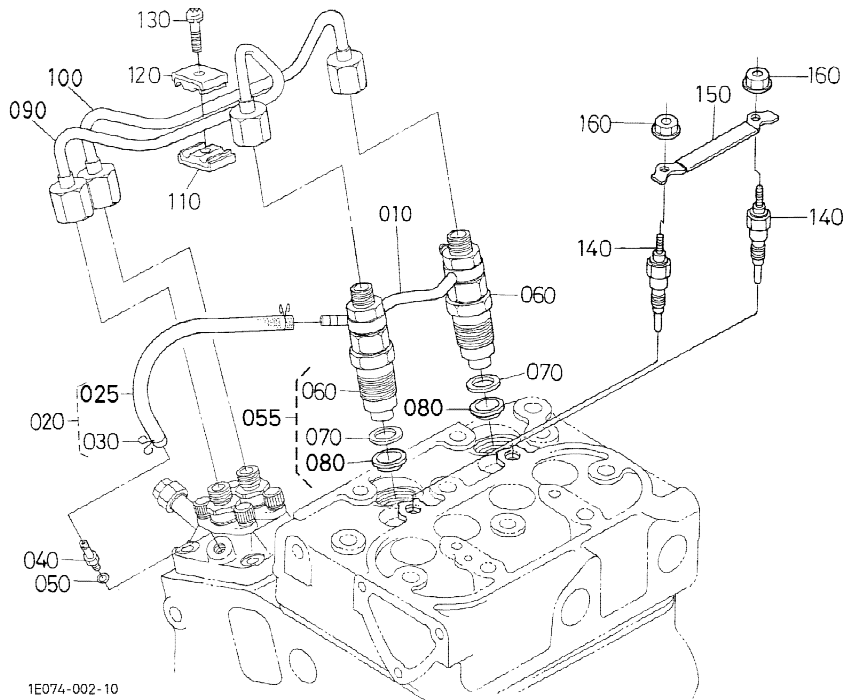
A:Z482-E2B-SEC-3

| REF. No. POS. No. | PART No. REFERENCE | PART NAME | DESIGNATION | Q' TY/S. No. Q' TE/No. S. | | I. C. | REMARKS REMARQUES |
|----------------------|-----------------------|------------------------|-----------------------|------------------------------|---|-------|----------------------|
| | | | | A | B | | |
| 010 | 125010005131 | PLATE, SPEED CONTROL | PLAQUE, VITE-CONTROLE | 1 | - | | |
| 020 | 125010005132 | GASKET, CONTROL PLATE | JOINT, PLAQUE CONTR. | 1 | - | | |
| 030 | 125010000006 | BOLT | VIS | 2 | - | | |
| 040 | 125010000049 | BOLT | VIS | 2 | - | | |
| 050 | 125010004796 | GASKET | JOINT | 2 | - | | |
| 060 | 125010005122 | LEVER, GOVERNOR | LEVIER DE REGULAT. | 1 | - | | |
| 070 | 125010008437 | COLLAR | COLLIER | 1 | - | | |
| 080 | 125010000700 | O RING | JOINT TORIQUE | 1 | - | | |
| 090 | 125010011300 | LEVER, SPEED CONTROL | LEVIER DE VIT-CONTR. | 1 | - | | |
| 100 | 125010007001 | NUT, SPEED CONTROL | ECROU, VITE-CONTROLE | 1 | - | | |
| 110 | 125010007057 | SHAFT, LEVER | ARBRE D' ARRET MOTEUR | 1 | - | | |
| 120 | 125010006903 | LEVER, ENGINE STOP | LEVIER D' ARRET | 1 | - | | |
| 130 | 125010000805 | PIN, SPRING | GOUILLE-RESSORT | 1 | - | | |
| 140 | 125010000699 | O RING | JOINT TORIQUE | 1 | - | | |
| 150 | 125010007058 | SPRING, RETURN | RESSORT DE RAPPEL | 1 | - | | |
| 160 | 125010007000 | CAP | BOUCHON | 1 | - | | |
| 170 | 125010007663 | COMP. PLATE, SPEED CO. | ENS. PLATEAU DE COMP. | 1 | - | | |
| 180 | 125010025514 | ASSY PLATE, CONTROL | PLATEAU DE COMMANDE | 1 | - | | |
| 190 | 125010014238 | PLATE, SPEED CONTROL | PLAQUE, VITE-CONTROLE | 1 | - | | |
| 200 | 125010008285 | BOLT | VIS | 1 | - | | |
| 210 | 125010000408 | NUT | ECROU | 1 | - | | |
| | | | | | | | |
| | | | | | | | |
| | | | | | | | |
| | | | | | | | |
| | | | | | | | |
| | | | | | | | |
| | | | | | | | |
| | | | | | | | |
| | | | | | | | |
| | | | | | | | |
| | | | | | | | |
| | | | | | | | |
| | | | | | | | |
| | | | | | | | |
| | | | | | | | |
| | | | | | | | |
| | | | | | | | |

↔ Interchangeable: ≠ not interchangeable: ← new for old: → old for new

0206

NOZZLE HOLDER AND GLOW PLUG PORTE-INJECTEUR ET BOUGIE DE PRECHAUFFAGE



1E074-002-10

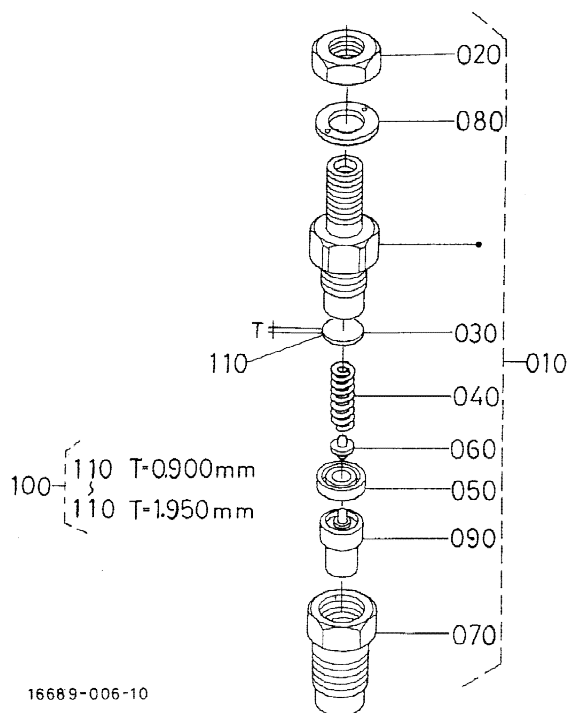
A:Z482-E2B-SEC-3

| REF. No. POS. No. | PART No. REFERENCE | PART NAME | DESIGNATION | Q' TY/S. No. Q' TE/No. S. | | I. C. | REMARKS REMARQUES |
|----------------------|-----------------------|----------------------|-----------------------|------------------------------|---|-------|----------------------|
| | | | | A | B | | |
| 010 | 125010005246 | ASSY PIPE, OVER FLOW | ENS. TUYAU TROP-PLEIN | 1 | - | | |
| 020 | 125010005080 | ASSY PIPE, OVER FLOW | ENS. TUYAU TROP-PLEIN | 1 | - | | |
| 025 | 125010005081 | PIPE, FUEL OVER FLOW | TUYAU DE TROP-PLEIN | 1 | - | | |
| 030 | 125010003311 | CLIP, PIPE | ATTACHE | 2 | - | | |
| 040 | 125010005097 | SCREW, AIR BREEDER | VIS DE AIR-AVIGL TEUR | 1 | - | | |
| 050 | 125010004796 | GASKET | JOINT | 1 | - | | |
| 055 | 125010005479 | KIT HOLDER, NOZZLE | ENS. PORTE-INJECTEUR | 2 | - | | |
| 060 | 125010035506 | ASSY HOLDER, NOZZLE | ENS. PORTE-INJECTEUR | 2 | - | | |
| 070 | 125010005107 | GASKET | JOINT | 2 | - | | |
| 080 | 125010008142 | SEAL, HEAT | JOINT DE CHALEUR | 2 | - | | |
| 090 | 125010006898 | PIPE, INJECTION | TUYAU D' INJECTEUR | 1 | - | | |
| 100 | 125010006899 | PIPE, INJECTION | TUYAU D' INJECTEUR | 1 | - | | |
| 110 | 125010005110 | CLAMP, PIPE | COLLIER DE TUYAU | 1 | - | | |
| 120 | 125010005111 | CLAMP, PIPE | COLLIER DE TUYAU | 1 | - | | |
| 130 | 125010000460 | SCREW, WITH WASHER | VIS | 1 | - | | |
| 140 | 125010006906 | GLOW PLUG | BOUGIE, PRE-CHAUFFAGE | 2 | - | | |
| 150 | 125010006907 | CORD, GLOW PLUG | FILDEBOUG. PRECHAUFF. | 1 | - | | |
| 160 | 125010000438 | NUT, FLANGE | ECROU A EMBASE | 2 | - | | |
| | | | | | | | |
| | | | | | | | |
| | | | | | | | |
| | | | | | | | |
| | | | | | | | |

↔ Interchangeable: ≠ not interchangeable: ← new for old: → old for new

0207

NOZZLE HOLDER (COMPONENT PARTS)
 PORTE-INJECTEUR (PARTIES COMPOSANTES)



16689-006-10

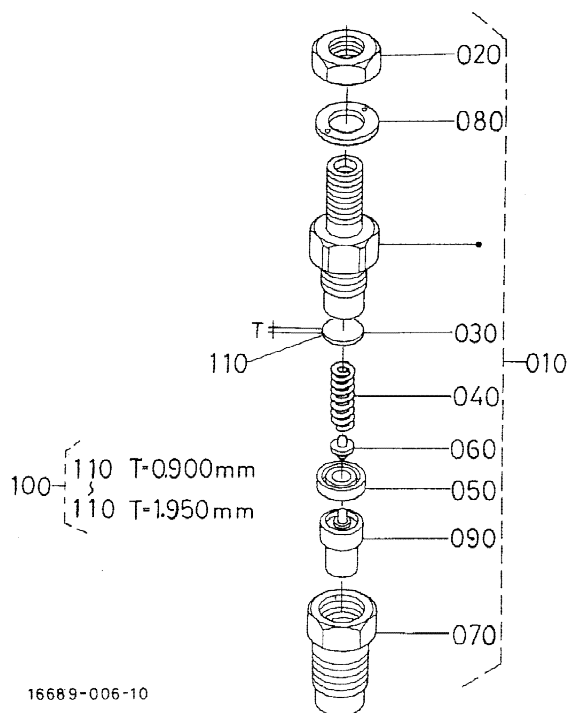
A:Z482-E2B-SEC-3

| REF. No. POS. No. | PART No. REFERENCE | PART NAME | DESIGNATION | Q' TY/S. No. Q' TE/No. S. | | I. C. | REMARKS REMARQUES |
|----------------------|-----------------------|---------------------|----------------------|------------------------------|---|-------|----------------------|
| | | | | A | B | | |
| 010 | 125010035506 | ASSY HOLDER, NOZZLE | ENS. PORTE-INJECTEUR | 2 | - | | |
| 020 | 125010005162 | NUT | ECROU | 2 | - | | |
| 030 | 125010005104 | WASHER, ADJUSTING | RONDELLE DE REGLAGE | 2 | - | | 0.900mm |
| 040 | 125010005103 | SPRING, NOZZLE | RESSORT D' INJECTEUR | 2 | - | | |
| 050 | 125010005105 | PIECE, DISTANCE | CALE DE BLOCAGE | 2 | - | | |
| 060 | 125010005102 | PUSH ROD | TIGE DE POUSSOIR | 2 | - | | |
| 070 | 125010006337 | NUT, NOZZLE | ECROU D' INJECTEUR | 2 | - | | |
| 080 | 125010005169 | WASHER | RONDELLE | 2 | - | | |
| 090 | 125010006897 | PIECE, NOZZLE | ELEMENT D' INJECTEUR | 2 | - | | |
| 100 | 125010005178 | ASSY WASHER, ADJUST | ENS. RONDELLE | 2 | - | | OPTION |
| 110 | 125010005104 | WASHER, ADJUSTING | RONDELLE DE REGLAGE | 2 | - | | 0.900mm |
| 110 | 125010005179 | WASHER, ADJUSTING | RONDELLE DE REGLAGE | 2 | - | | 0.925mm |
| 110 | 125010005180 | WASHER, ADJUSTING | RONDELLE DE REGLAGE | 2 | - | | 0.950mm |
| 110 | 125010005181 | WASHER, ADJUSTING | RONDELLE DE REGLAGE | 2 | - | | 0.975mm |
| 110 | 125010005182 | WASHER, ADJUSTING | RONDELLE DE REGLAGE | 2 | - | | 1.000mm |
| 110 | 125010005183 | WASHER, ADJUSTING | RONDELLE DE REGLAGE | 2 | - | | 1.025mm |
| 110 | 125010005184 | WASHER, ADJUSTING | RONDELLE DE REGLAGE | 2 | - | | 1.050mm |
| 110 | 125010005185 | WASHER, ADJUSTING | RONDELLE DE REGLAGE | 2 | - | | 1.075mm |
| 110 | 125010005186 | WASHER, ADJUSTING | RONDELLE DE REGLAGE | 2 | - | | 1.100mm |
| 110 | 125010005187 | WASHER, ADJUSTING | RONDELLE DE REGLAGE | 2 | - | | 1.125mm |
| 110 | 125010005188 | WASHER, ADJUSTING | RONDELLE DE REGLAGE | 2 | - | | 1.150mm |
| 110 | 125010005189 | WASHER, ADJUSTING | RONDELLE DE REGLAGE | 2 | - | | 1.175mm |
| 110 | 125010005190 | WASHER, ADJUSTING | RONDELLE DE REGLAGE | 2 | - | | 1.200mm |
| 110 | 125010005191 | WASHER, ADJUSTING | RONDELLE DE REGLAGE | 2 | - | | 1.225mm |
| 110 | 125010005192 | WASHER, ADJUSTING | RONDELLE DE REGLAGE | 2 | - | | 1.250mm |
| 110 | 125010005193 | WASHER, ADJUSTING | RONDELLE DE REGLAGE | 2 | - | | 1.275mm |
| 110 | 125010005194 | WASHER, ADJUSTING | RONDELLE DE REGLAGE | 2 | - | | 1.300mm |
| 110 | 125010005195 | WASHER, ADJUSTING | RONDELLE DE REGLAGE | 2 | - | | 1.325mm |
| 110 | 125010005196 | WASHER, ADJUSTING | RONDELLE DE REGLAGE | 2 | - | | 1.350mm |
| 110 | 125010005197 | WASHER, ADJUSTING | RONDELLE DE REGLAGE | 2 | - | | 1.375mm |

↔ Interchangeable: ≠ not interchangeable: ← new for old: → old for new

0207

NOZZLE HOLDER (COMPONENT PARTS)
 PORTE-INJECTEUR (PARTIES COMPOSANTES)

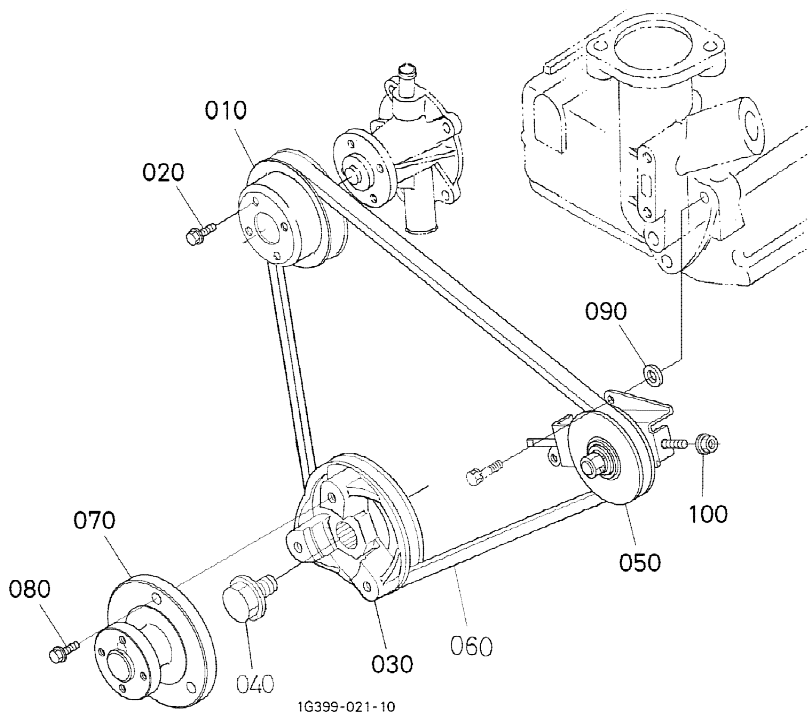


16689-006-10

A:Z482-E2B-SEC-3

| REF. No. POS. No. | PART No. REFERENCE | PART NAME | DESIGNATION | Q' TY/S. No. Q' TE/No. S. | | I. C. | REMARKS REMARQUES |
|----------------------|-----------------------|-------------------|---------------------|------------------------------|---|-------|----------------------|
| | | | | A | B | | |
| 110 | 125010005198 | WASHER, ADJUSTING | RONDELLE DE REGLAGE | 2 | - | | 1.400mm |
| 110 | 125010005199 | WASHER, ADJUSTING | RONDELLE DE REGLAGE | 2 | - | | 1.425mm |
| 110 | 125010005200 | WASHER, ADJUSTING | RONDELLE DE REGLAGE | 2 | - | | 1.450mm |
| 110 | 125010005201 | WASHER, ADJUSTING | RONDELLE DE REGLAGE | 2 | - | | 1.475mm |
| 110 | 125010005202 | WASHER, ADJUSTING | RONDELLE DE REGLAGE | 2 | - | | 1.500mm |
| 110 | 125010005203 | WASHER, ADJUSTING | RONDELLE DE REGLAGE | 2 | - | | 1.525mm |
| 110 | 125010005204 | WASHER, ADJUSTING | RONDELLE DE REGLAGE | 2 | - | | 1.550mm |
| 110 | 125010005205 | WASHER, ADJUSTING | RONDELLE DE REGLAGE | 2 | - | | 1.575mm |
| 110 | 125010005206 | WASHER, ADJUSTING | RONDELLE DE REGLAGE | 2 | - | | 1.600mm |
| 110 | 125010005207 | WASHER, ADJUSTING | RONDELLE DE REGLAGE | 2 | - | | 1.625mm |
| 110 | 125010005208 | WASHER, ADJUSTING | RONDELLE DE REGLAGE | 2 | - | | 1.650mm |
| 110 | 125010005209 | WASHER, ADJUSTING | RONDELLE DE REGLAGE | 2 | - | | 1.675mm |
| 110 | 125010005210 | WASHER, ADJUSTING | RONDELLE DE REGLAGE | 2 | - | | 1.700mm |
| 110 | 125010005211 | WASHER, ADJUSTING | RONDELLE DE REGLAGE | 2 | - | | 1.725mm |
| 110 | 125010005212 | WASHER, ADJUSTING | RONDELLE DE REGLAGE | 2 | - | | 1.750mm |
| 110 | 125010005213 | WASHER, ADJUSTING | RONDELLE DE REGLAGE | 2 | - | | 1.775mm |
| 110 | 125010005214 | WASHER, ADJUSTING | RONDELLE DE REGLAGE | 2 | - | | 1.800mm |
| 110 | 125010005215 | WASHER, ADJUSTING | RONDELLE DE REGLAGE | 2 | - | | 1.825mm |
| 110 | 125010005216 | WASHER, ADJUSTING | RONDELLE DE REGLAGE | 2 | - | | 1.850mm |
| 110 | 125010005217 | WASHER, ADJUSTING | RONDELLE DE REGLAGE | 2 | - | | 1.875mm |
| 110 | 125010005218 | WASHER, ADJUSTING | RONDELLE DE REGLAGE | 2 | - | | 1.900mm |
| 110 | 125010005219 | WASHER, ADJUSTING | RONDELLE DE REGLAGE | 2 | - | | 1.925mm |
| 110 | 125010005220 | WASHER, ADJUSTING | RONDELLE DE REGLAGE | 2 | - | | 1.950mm |

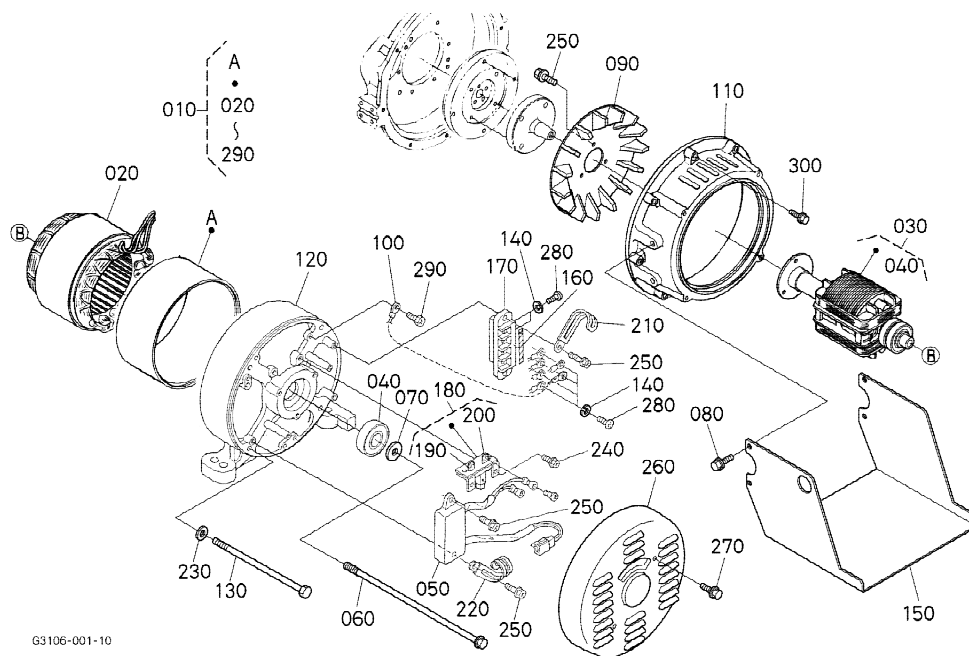
↔ Interchangeable: ≠ not interchangeable: ← new for old: → old for new



A:Z482-E2B-SEC-3

| REF. No. POS. No. | PART No. REFERENCE | PART NAME | DESIGNATION | Q' TY/S. No. Q' TE/No. S. | | I. C. | REMARKS REMARQUES |
|----------------------|-----------------------|----------------------|-----------------------|------------------------------|---|-------|----------------------|
| | | | | A | B | | |
| 010 | 125010005150 | PULLEY, FAN | POULIE VENTILATEUR | 1 | - | | |
| 020 | 125010000295 | BOLT, FLANGE | VIS DE BUTEE | 4 | - | | |
| 030 | 125010006918 | PULLEY, FAN DRIVE | POULIE ENTRAIN. VENT. | 1 | - | | |
| 040 | 125010005407 | BOLT | VIS | 1 | - | | |
| 050 | 125010010411 | ASSY PULLEY, TENSION | ENS. POULIE DE TENS. | 1 | - | | |
| 060 | 125010008771 | BELT | COURROIE | 1 | - | | |
| 070 | 125010010409 | COLLAR, FAN | COLLER DE VETILATEUR | 1 | - | | |
| 080 | 125010000319 | BOLT, FLANGE | VIS DE BUTEE | 3 | - | | |
| 090 | 125010002621 | COLLAR | COLLIER | 1 | - | | |
| 100 | 125010000439 | NUT, FLANGE | ECROU A EMBASE | 1 | - | | |
| | | | | | | | |
| | | | | | | | |
| | | | | | | | |
| | | | | | | | |
| | | | | | | | |
| | | | | | | | |
| | | | | | | | |
| | | | | | | | |
| | | | | | | | |
| | | | | | | | |
| | | | | | | | |
| | | | | | | | |
| | | | | | | | |

↔ Interchangeable: ≠ not interchangeable: ← new for old: → old for new



G3106-001-10

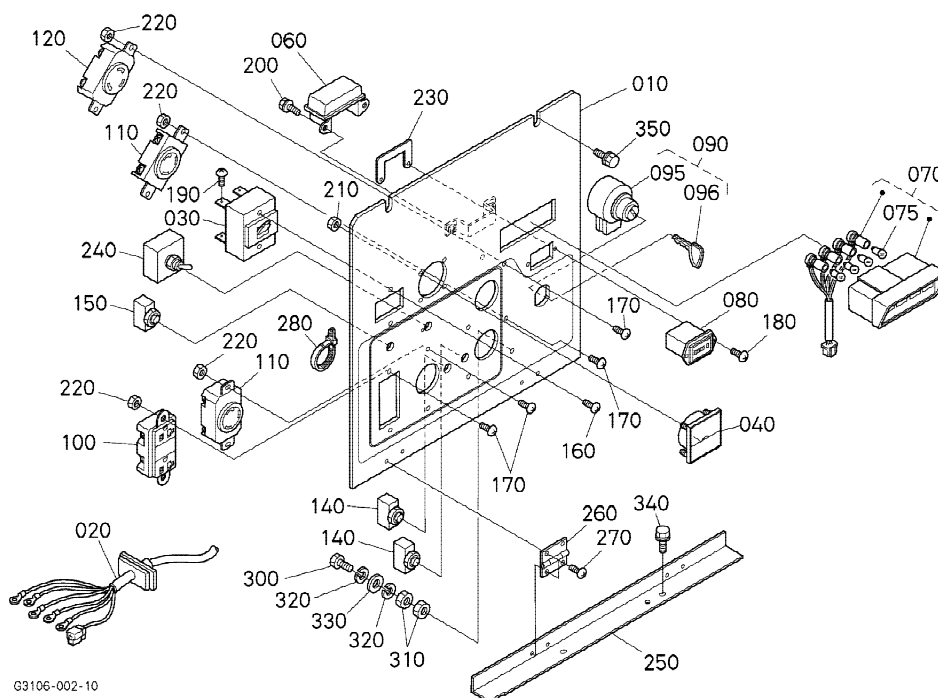
A: GL7000-CAN

| REF. No. POS. No. | PART No. REFERENCE | PART NAME | DESIGNATION | Q' TY/S. No. Q' TE/No. S. | | I. C. | REMARKS REMARQUES |
|----------------------|-----------------------|--------------------|-----------------------|------------------------------|---|-------|----------------------|
| | | | | A | B | | |
| 010 | 125010016448 | ASSY GENERATOR | ENS. GENERATEUR | 1 | - | | |
| 020 | 125010016449 | ASSY STATOR | ENS. STATOR | 1 | - | | |
| 030 | 125010034153 | ASSY ROTOR | ENS. ROTOR | 1 | - | | |
| 040 | 125010016364 | BEARING | ROULEMENT | 1 | - | | |
| 050 | 125010016450 | ASSY CONTROL | LUTTE AVR | 1 | - | | |
| 060 | 125010016349 | BOLT, CENTER | VIS | 1 | - | | |
| 070 | 125010016441 | WASHER, PLAIN | RONDELLE FREIN | 1 | - | | |
| 080 | 125010016439 | BOLT | VIS | 6 | - | | |
| 090 | 125010016348 | ASSY FAN, COOLING | ENS. VENTILATEUR, R/R | 1 | - | | |
| 100 | G3106-0444-0 | WIRE HARNESS | HARNESS DE FIL | 1 | - | | |
| 110 | 125010016347 | BRACKET, FRONT | SUPPORT | 1 | - | | |
| 120 | 125010007832 | BRACKET, REAR | SUPPORT ARRIERE | 1 | - | | |
| 130 | 125010007803 | BOLT | VIS | 4 | - | | |
| 140 | 125010017484 | WASHER, BS | RONDELLE | 8 | - | | |
| 150 | 125010016346 | PLATE, GENERATOR | PLAQUE | 1 | - | | |
| 160 | 125010007787 | MARK | MARQUE | 1 | - | | |
| 170 | 125010035965 | CONNECTOR | CONNECTEUR | 1 | - | | |
| 180 | 125010016345 | ASSY HOLDER, BRUSH | ENS. SUPPORT | 1 | - | | |
| 190 | 125010007794 | BRUSH | PATTE D' ATTACHE | 1 | - | | |
| 200 | 125010007793 | BRUSH | PATTE D' ATTACHE | 1 | - | | |
| 210 | 125010007770 | PLATE | PLAQUE | 1 | - | | |
| 220 | 125010007729 | PLATE | PLAQUE | 1 | - | | |
| 230 | G3906-9401-0 | WASHER, PLAIN | RONDELLE FREIN | 4 | - | | |
| 240 | 125010007816 | SCREW | VIS | 2 | - | | |
| 250 | 125010024254 | BOLT | VIS | 7 | - | | |
| 260 | 125010016351 | COVER CLEANER | COUVERCLE | 1 | - | | |
| 270 | 125010007791 | BOLT | VIS | 2 | - | | |
| 280 | 125010032553 | SCREW | VIS | 8 | - | | |
| 290 | 125010007781 | SCREW | VIS | 1 | - | | |
| 300 | 125010000321 | BOLT, FLANGE | VIS DE BUTEE | 6 | - | | |

↔ Interchangeable: ≠ not interchangeable: ← new for old: → old for new

A003

CONTROL PANEL PLAQUE



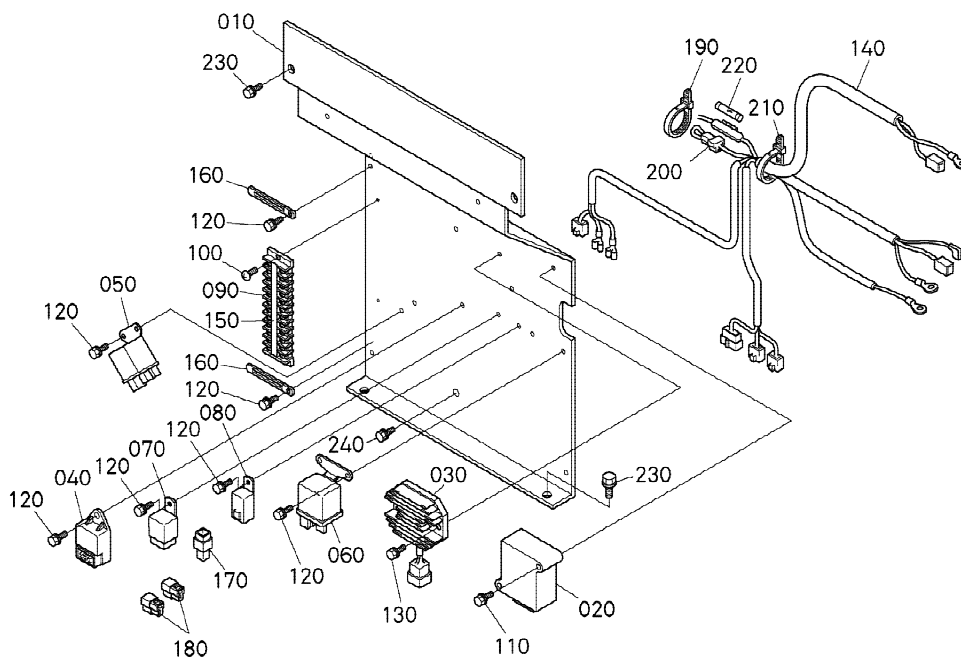
G3106-002-10

A: GL7000-CAN

| REF. No. POS. No. | PART No. REFERENCE | PART NAME | DESIGNATION | Q' TY/S. No. Q' TE/No. S. | | I. C. | REMARKS REMARQUES |
|----------------------|-----------------------|----------------------|-----------------------|------------------------------|---|-------|----------------------|
| | | | | A | B | | |
| 010 | G3106-0321-0 | PLATE, PANEL | PLAQUE | 1 | - | | |
| 020 | 125010032220 | WIRE HARNESS, AC | FAISCEAU ELECTRIQUE | 1 | - | | |
| 030 | 125010016356 | BREAKER | BRISEUR | 1 | - | | |
| 040 | 125010007107 | METER, BOLT | COMPTEUR, V | 1 | - | | |
| 050 | ---- | BLANK | BLANC | - | - | | |
| 060 | 125010016402 | ASSY BOX, FUSE | ENS. BOITE DES FUSIB. | 1 | - | | |
| 070 | 125010007579 | BOX, PILOT | BOITE | 1 | - | | |
| 075 | 125010014441 | VALVE | SOUPAPE | 4 | - | | |
| 080 | 125010007761 | METER, HOUR | COMPTE-HEURES | 1 | - | | |
| 090 | 125010003697 | ASSY SWITCH, STARTER | ENS. INTERRUPTEUR | 1 | - | | |
| 095 | 125010014867 | SWITCH, STARTER | CONTACTEUR A CLE | 1 | - | | |
| 096 | 125010003698 | ASSY KEY | ENS. CLE | 1 | - | | |
| 100 | 125010016522 | RECEPTACLE | COURANT | 1 | - | | GFC1 |
| 110 | 125010016331 | RECEPTACLE | COURANT | 2 | - | | L5-30 |
| 120 | 125010007763 | RECEPTACLE | FICHE | 1 | - | | L6-30 |
| 130 | ---- | BLANK | BLANC | - | - | | |
| 140 | 125010016471 | PROTECTOR | PROTECTEUR | 2 | - | | 30A |
| 150 | 125010016470 | PROTECTOR | PROTECTEUR | 1 | - | | 20A |
| 160 | 125010016329 | SCREW, BREAKER | VIS | 2 | - | | |
| 170 | 125010017443 | SCREW | VIS | 8 | - | | |
| 180 | 125010017486 | SCREW, ML BLACK | VIS | 2 | - | | |
| 190 | 125010007810 | SCREW | VIS | 4 | - | | |
| 200 | 125010007122 | BOLT | VIS | 2 | - | | |
| 210 | 125010007739 | NUT | ECROU | 2 | - | | |
| 220 | 125010007779 | NUT | ECROU | 6 | - | | |
| 230 | 125010007760 | PLATE, U | PLAQUE | 1 | - | | |
| 240 | 125010016360 | SWITCH | INTERRUPTEUR | 1 | - | | |
| 250 | G3106-3152-0 | BRACKET, PANEL | SUPPORT | 1 | - | | |
| 260 | 125010016374 | HINGE, PANEL | PENTURE | 2 | - | | |
| 270 | G3102-9105-0 | SCREW, TAPPING | VIS | 8 | - | | |

↔ Interchangeable: ≠ not interchangeable: ← new for old: → old for new

A004 TERMINAL BORNE

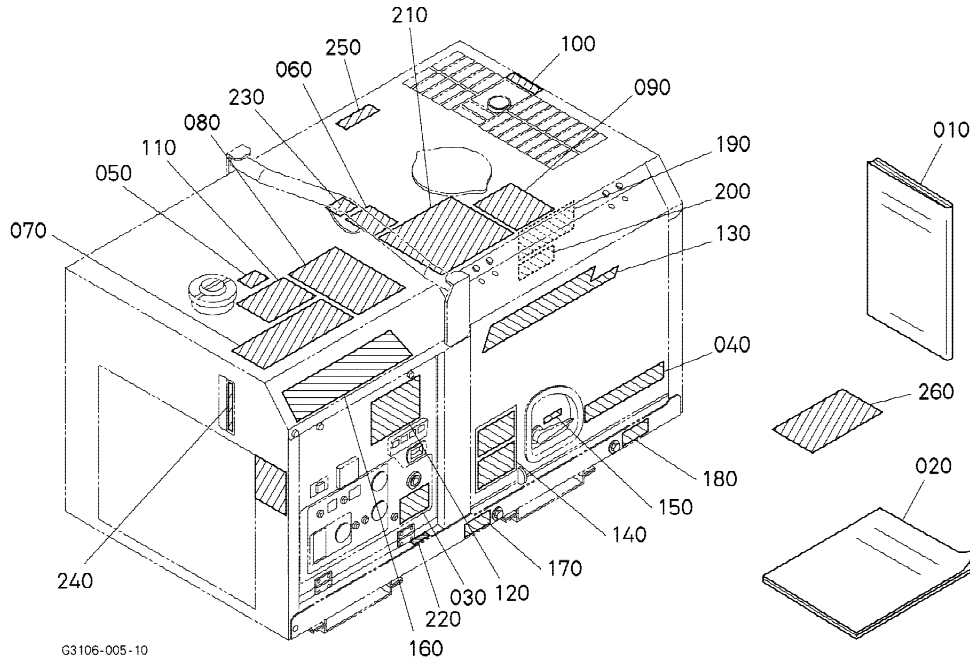


G3102-003-10

A: GL7000-CAN

| REF. No. POS. No. | PART No. REFERENCE | PART NAME | DESIGNATION | Q' TY/S. No. Q' TE/No. S. | | I. C. | REMARKS REMARQUES |
|----------------------|-----------------------|--------------------|---------------------|------------------------------|---|-------|----------------------|
| | | | | A | B | | |
| 010 | G3106-3115-0 | BRACKET | SUPPORT | 1 | - | | |
| 020 | 125010007238 | EMERGENCY UNIT | ENS. EMERGENCE | 1 | - | | |
| 030 | 125010005225 | COMP. REGULATOR | REGULATEUR COMP. | 1 | - | | |
| 040 | 125010004915 | TIMER, GLOW LAMP | TEMPORISATEUR | 1 | - | | |
| 050 | 125010005854 | ASSY RELAY | ENS. RELAIS | 1 | - | | |
| 060 | 125010006246 | RELAY, GLOW | RELAIS | 1 | - | | |
| 070 | 125010007578 | COMP RELAY B | RELAIS | 1 | - | | |
| 080 | 125010017472 | RELAY | RELAIS | 1 | - | | |
| 090 | 125010017459 | ASSY TERMINAL, AMF | ENS. BORNE | 1 | - | | |
| 100 | 125010016440 | SCREW | VIS | 2 | - | | |
| 110 | 125010007809 | BOLT | VIS | 2 | - | | |
| 120 | 125010000213 | BOLT | VIS | 9 | - | | |
| 130 | 125010007826 | BOLT | VIS | 2 | - | | |
| 140 | 125010016451 | WIRE HARNESS, ENG | FAISCEAU ELECTRIQUE | 1 | - | | |
| 150 | 125010017481 | MARK, AMF | MARQUE | 1 | - | | |
| 160 | 125010017454 | PLATE | PLAQUE | 2 | - | | |
| 170 | 125010014452 | FUSE | FUSIBLE | 1 | - | | |
| 180 | 125010017691 | DIODE, S | DIODE, S | 2 | - | | |
| 190 | 125010007813 | FASTENER | ATTACHE | 5 | - | | |
| 200 | 125010016357 | WIRE HARNESS | HARNESS DE FIL | 1 | - | | |
| 210 | 125010016474 | CLAMP, CORD | ATTACHE-FILS | 1 | - | | |
| 220 | 125010016453 | FUSE | FUSIBLE | 1 | - | 1A | |
| 230 | 125010000316 | BOLT, FLANGE | VIS DE BUTEE | 4 | - | | |
| 240 | 125010000297 | BOLT, FLANGE | VIS DE BUTEE | 1 | - | | |

↔ Interchangeable: ≠ not interchangeable: ← new for old: → old for new



G3106-005-10

A: GL7000-CAN

| REF. No. POS. No. | PART No. REFERENCE | PART NAME | DESIGNATION | Q' TY/S. No. Q' TE/No. S. | | I. C. | REMARKS REMARQUES |
|----------------------|-----------------------|-----------------------|-----------------------|------------------------------|---|-------|----------------------|
| | | | | A | B | | |
| 010 | G3106-8916-0 | OPERATOR'S MANUAL | MANUEL DE L'UTILISA. | 1 | - | | |
| 020 | 125010010922 | STATEMENT, WARRANTY | DECLARATION, GARANTIE | 1 | - | | |
| 030 | 125010016461 | LABEL, CAUTION | ETIQUETTE | 1 | - | | |
| 040 | 125010016419 | LABEL, GL | ETIQUETTE | 1 | - | | |
| 050 | 18974-5090-0 | LABEL, FUEL | ETIQUETTE | 1 | - | | |
| 060 | 125010016460 | LABEL, HOOK CAUTION | ETIQUETTE | 1 | - | | |
| 070 | 125010016458 | LABEL, CAUTION, VENTI | ETIQUETTE | 1 | - | | |
| 080 | G3106-8823-0 | LABEL, INSTRUCTION | ETIQUETTE | 1 | - | | |
| 090 | 125010016459 | LABEL, RADIATOR CAUT. | ETIQUETTE | 1 | - | | |
| 100 | 125010016330 | LABEL, HIGH TEMPERAT. | ETIQUETTE | 1 | - | | |
| 110 | G3106-8841-0 | LABEL, FUEL | ETIQUETTE | 1 | - | | |
| 120 | 125010034162 | LABEL, WIRING CAUTION | ETIQUETTE | 1 | - | | |
| 130 | 125010016418 | LABEL (LOWBOY) | ETIQUETTE | 1 | - | | |
| 140 | 125010034161 | LABEL, CAUTION | ETIQUETTE | 1 | - | | |
| 150 | 125010032561 | LABEL, HANDLE | ETIQUETTE POIGNEE | 1 | - | | |
| 160 | 125010016455 | LABEL, KUBOTA | ETIQUETTE | 1 | - | | |
| 170 | 18974-5134-0 | LABEL, DRAIN | ETIQUETTE | 1 | - | | |
| 180 | 18974-5135-0 | LABEL, DRAIN | ETIQUETTE | 1 | - | | |
| 190 | G3106-8833-0 | LABEL, CAUTION | ETIQUETTE | 1 | - | | |
| 200 | K3511-4719-0 | LABEL, BATTERY | ETIQUETTE | 1 | - | | |
| 210 | 125010016437 | LABEL | ETIQUETTE | 1 | - | | |
| 220 | 18422-8899-4 | LABEL, INDICATOR | ETIQUETTE | 1 | - | | |
| 230 | G3106-8847-0 | LABEL, MASS | ETIQUETTE | 1 | - | | |
| 240 | G3102-8842-0 | LABEL, FE | ETIQUETTE | 1 | - | | |
| 250 | 125010016457 | LABEL, HIGH TEMPERAT. | ETIQUETTE | 1 | - | | |
| 260 | 125010016512 | MARK | MARQUE | 1 | - | | |

↔ Interchangeable: ≠ not interchangeable: ← new for old: → old for new