

GENERATOR DIESEL ENGINE

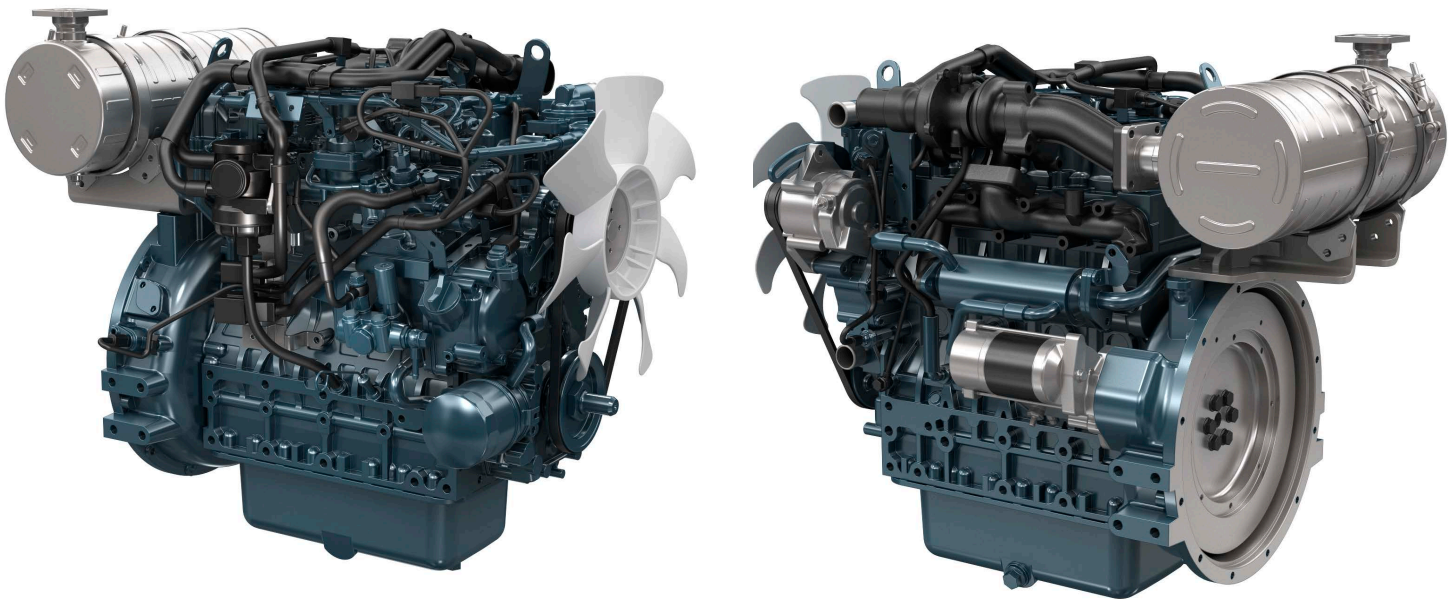
Kubota 03 Series (4-Cylinders)

V2403-CR-TIE4BG



Standby Power¹

48.3 kW @ 1800 RPM



Photograph may show non-standard equipment.

Features and Benefits

Emissions

Kubota's emission department was created to focus exclusively on environmental concerns. We take all possible measures to ensure Kubota engines meet or exceed all required emission regulations for the necessary certifications. Kubota offers multiple solutions with the same engine footprint that meets various emission levels.

Fuel Flexibility

Kubota's engine lineup has a variety of fuel options that include diesel, gasoline, liquid propane and natural gas. By offering these options, customers are guaranteed installation compatibility and fuel flexibility all within the same engine footprint.

Quality

Kubota's generator drive engine solutions are powerful, durable and reliable offering flexible options. Quality components and innovative engineering ensure all Kubota engines provide industrial strength and ultimate performance regardless of fuel choice.

Global Distribution

Because Kubota is continuously expanding our distribution network, we are able to support our customers worldwide. Kubota delivers exceptional service, sales support, engineering support, parts supply and product training everywhere Kubota engines are used.

For Earth, For Life
Kubota

V2403-CR-TIE4BG

Engine Specifications

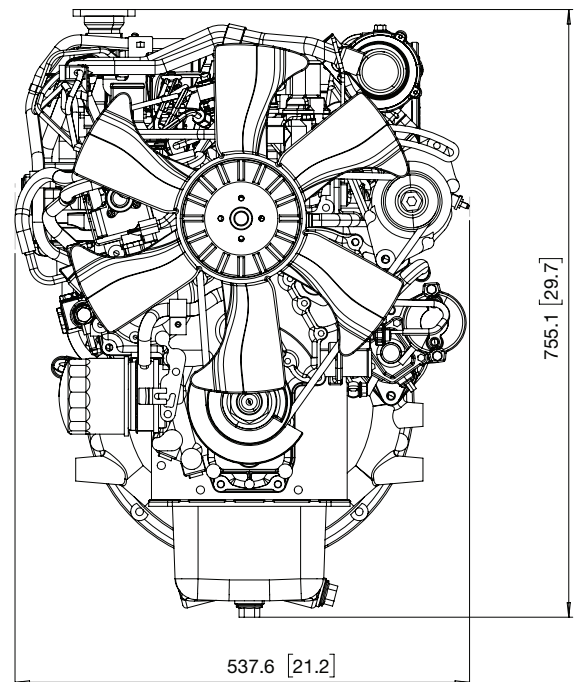
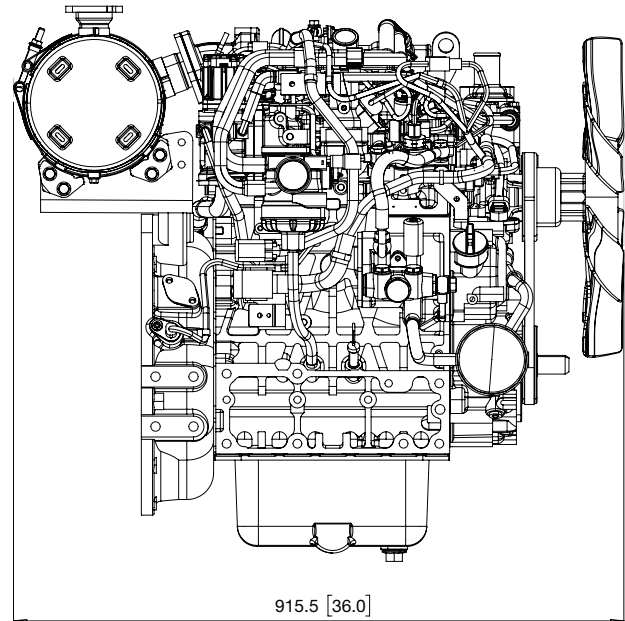
Engine model		V2403-CR-TIE4BG
Emission regulation		EPA/CARB Tier 4
Type		Vertical, water cooled 4-cycle diesel engine
Cylinders		4
Bore and stroke	mm (in)	87 × 102.4 (3.43 × 4.031)
Displacement	L (cu. in)	2.434 (148.5)
Aspiration		Turbo Charged + Turbo aftercooler
Aftertreatment		DOC
Standby output/speed¹	kW (HP) / rpm	48.3 (64.8) / 1800
Continuous output/speed¹	kW (HP) / rpm	44 (59) / 1800
Fuel consumption	g / kWh (lb / HPh)	215 (0.353)
Combustion system		DI
Fuel system		Common Rail
Length x width x height (With Aftertreatment)	mm (in)	915.5 x 537.6 x 755.1 (36.0 x 21.2 x 29.7)
Dry weight²	kg (lb)	241 (531)

Specifications are subject to change without notice.
Dimensions and dry weight are according to Kubota's standard specification.
Dimensions and weight depend on completed specifications.

1: SAE J1349 gross intermittent

2: Excludes cooling fan

Dimensions



KUBOTA Engine America Corporation

505 Schelster Road, Lincolnshire, IL 60069

P: 847.955.2500 | kubotaengine.com

KEAMKT-0157

For Earth, For Life
Kubota