

GENERATOR DIESEL ENGINE

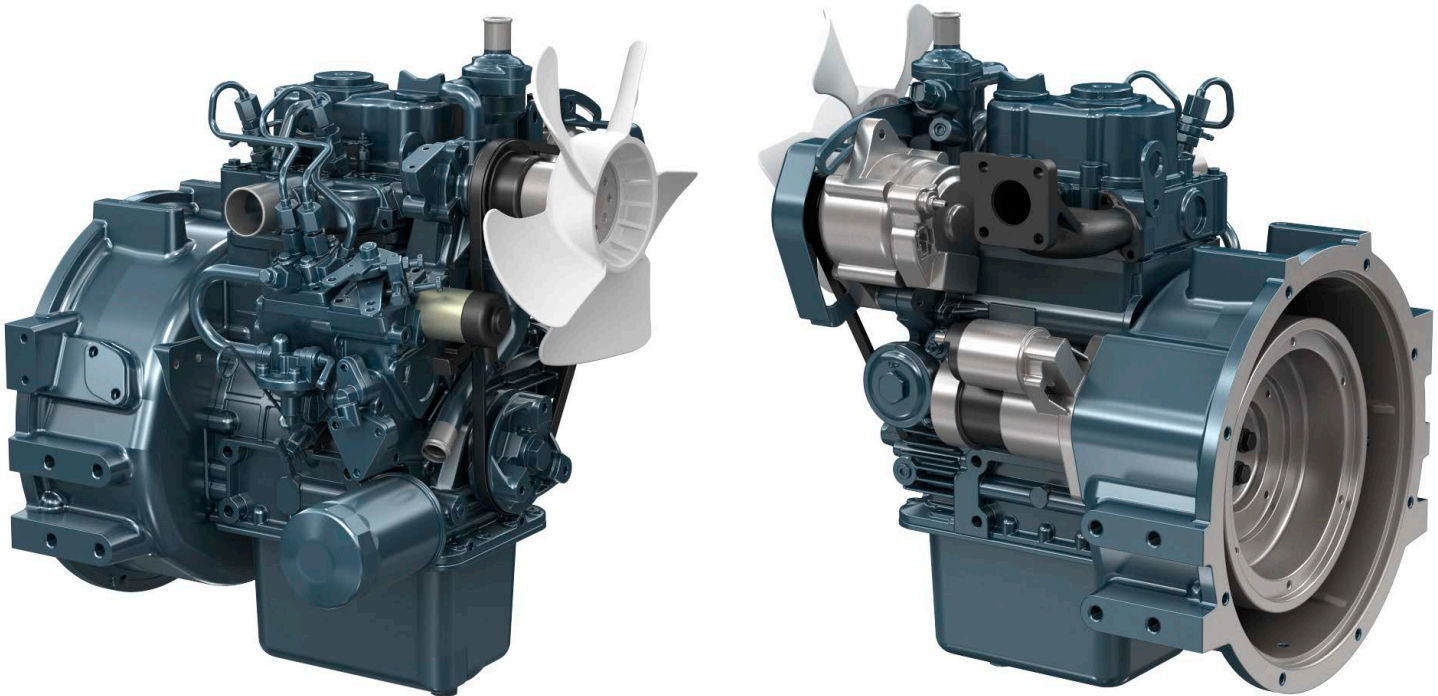
Kubota Super Mini Series (2-Cylinder)

Z482-E4BG (1800 RPM)



Standby Power¹

4.2 kW @ 1800 RPM



Photograph may show non-standard equipment.

Features and Benefits

Emissions

Kubota's emission department was created to focus exclusively on environmental concerns. We take all possible measures to ensure Kubota engines meet or exceed all required emission regulations for the necessary certifications. Kubota offers multiple solutions with the same engine footprint that meets various emission levels.

Fuel Flexibility

Kubota's engine lineup has a variety of fuel options that include diesel, gasoline, liquid propane and natural gas. By offering these options, customers are guaranteed installation compatibility and fuel flexibility all within the same engine footprint.

Quality

Kubota's generator drive engine solutions are powerful, durable and reliable offering flexible options. Quality components and innovative engineering ensure all Kubota engines provide industrial strength and ultimate performance regardless of fuel choice.

Global Distribution

Because Kubota is continuously expanding our distribution network, we are able to support our customers worldwide. Kubota delivers exceptional service, sales support, engineering support, parts supply and product training everywhere Kubota engines are used.

For Earth, For Life
The Kubota logo, featuring the word "Kubota" in a stylized, lowercase font with a blue-to-teal gradient.

Z482-E4BG (1800RPM)

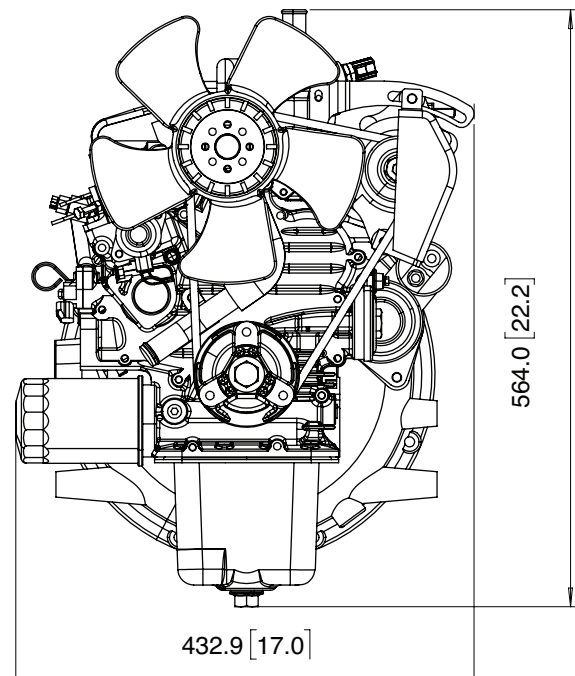
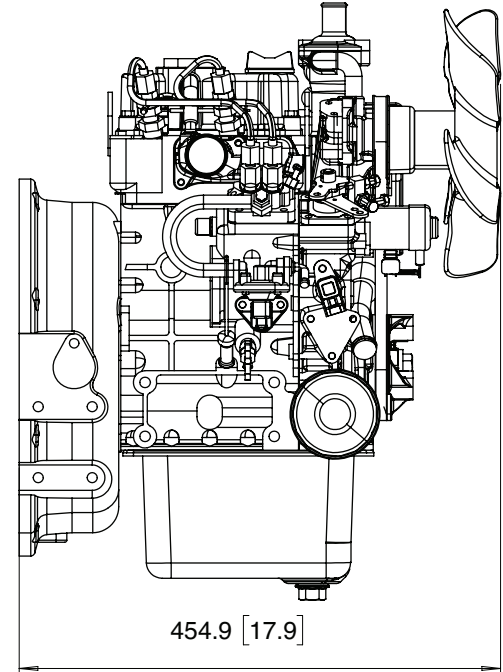
Engine Specifications

Engine model		Z482-E4BG (1800RPM)
Emission regulation		EPA/CARB Tier 4
Type		Vertical, water-cooled, 4-cycle diesel engine
Cylinders		2
Bore and stroke	mm (in)	67 × 68 (2.64 × 2.68)
Displacement	L (cu. in)	0.479 (29.2)
Aspiration		Naturally aspirated
Aftertreatment		NA
Standby output/speed¹	kW (HP) / rpm	4.2 (5.6) / 1800
Continuous output/speed¹	kW (HP) / rpm	3.8 (5.1) / 1800
Fuel consumption	g / kWh (lb / HPh)	260 (0.427)
Combustion system		IDI
Fuel system		In-line pump
Length x width x height (Without Aftertreatment)	mm (in)	454.9 x 432.9 x 564.0 (17.9 x 17.0 x 22.2)
Dry weight²	kg (lb)	78 (172)

Specifications are subject to change without notice.
Dimensions and dry weight are according to Kubota's standard specification.
Dimensions and weight depend on completed specifications.

1: SAE J1349 gross intermittent
2: Excludes cooling fan

Dimensions



KUBOTA Engine America Corporation

505 Schelster Road, Lincolnshire, IL 60069
P: 847.955.2500 | kubotaengine.com
KEAMKT-0148 07.2023

For Earth, For Life
Kubota