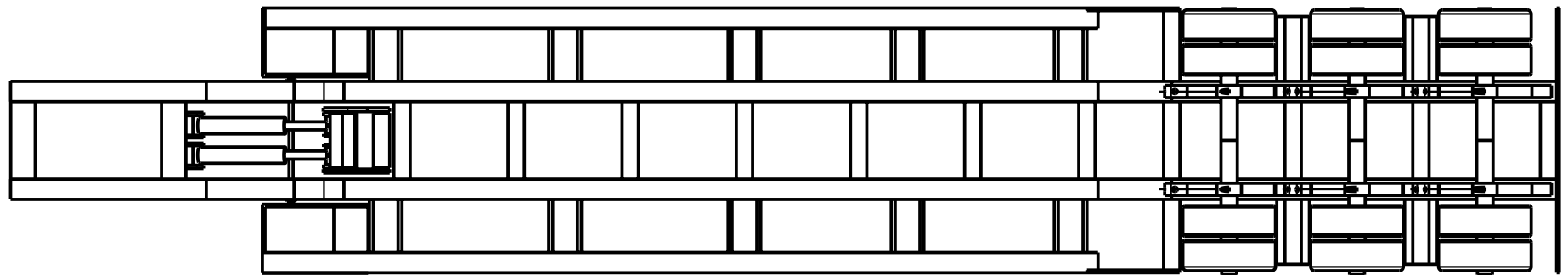




SCALE 0.400



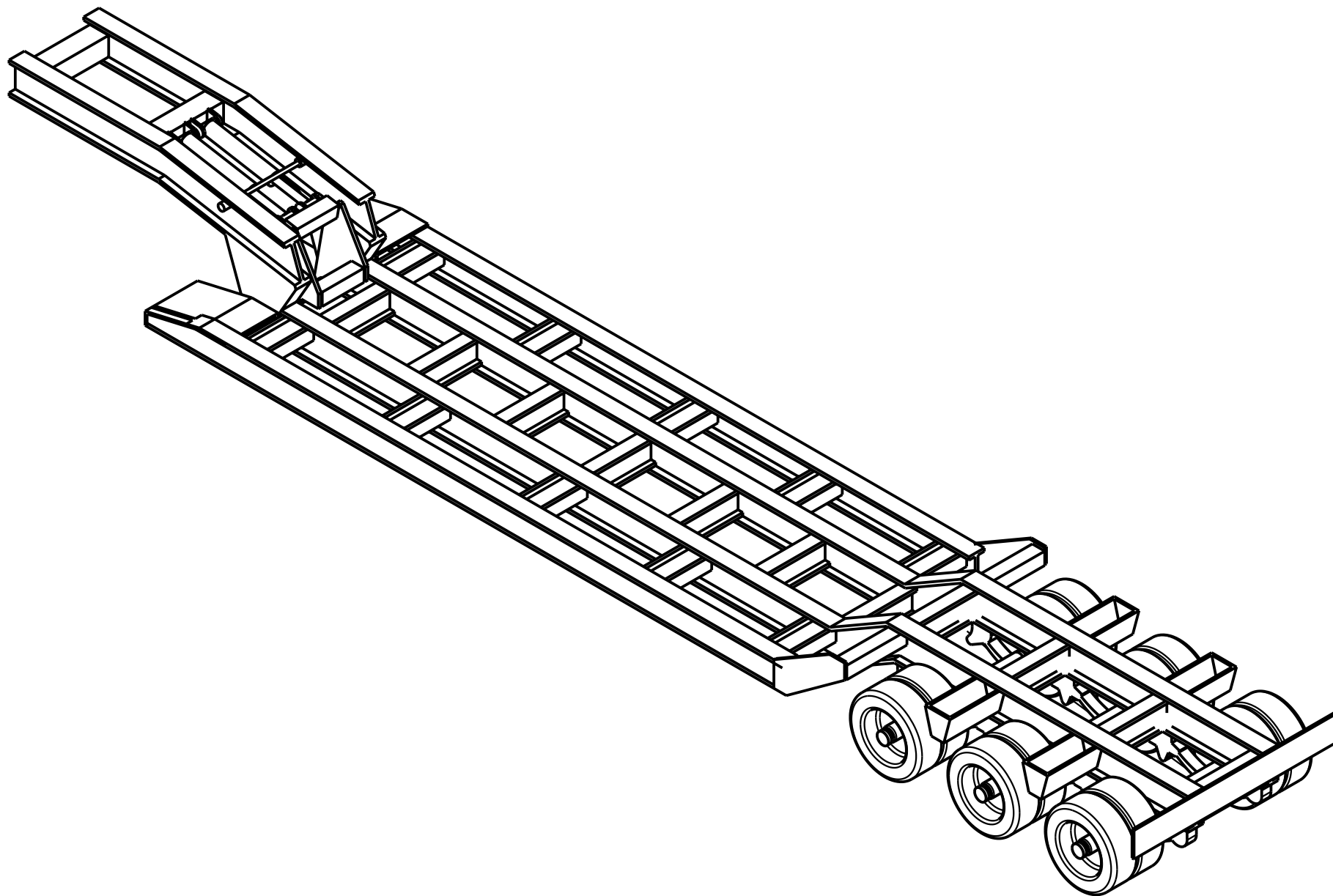
These plans are based on the Witzco Challenger NGB60 Lowboy trailer

Some details have been modified to allow for simplicity of modeling using readily available plastic shapes.

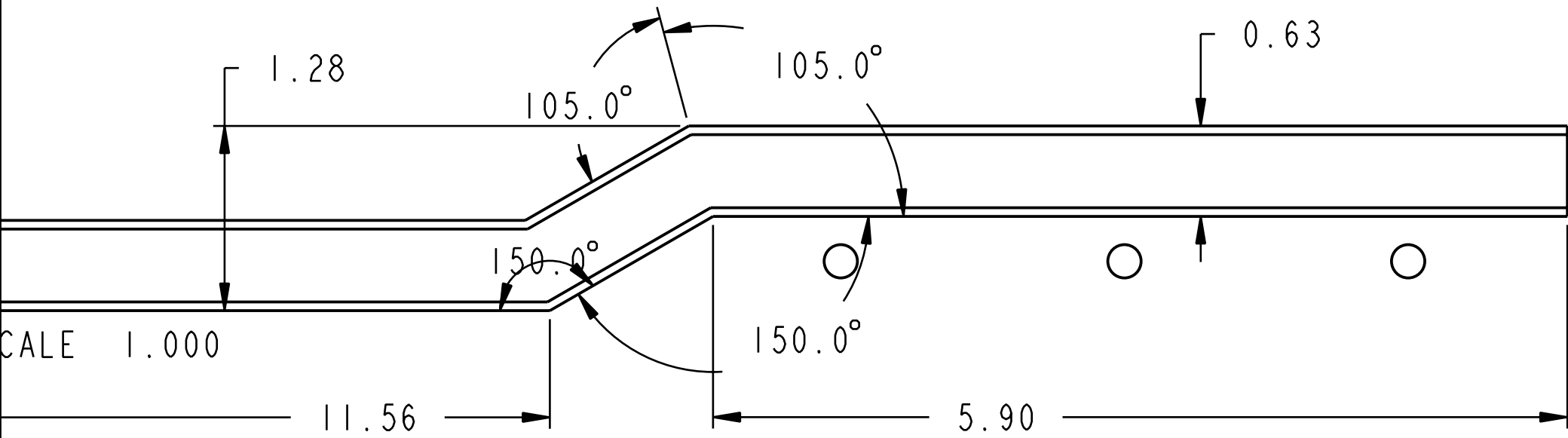
The suspension is custom made, but the builder can adapt the tri axle suspension from the AMT lowboy. Prototype trailers use low profile tires, but the builder can use standard size tires.

These plans are NOT for sale. They can be reprinted and shared for personal use only.

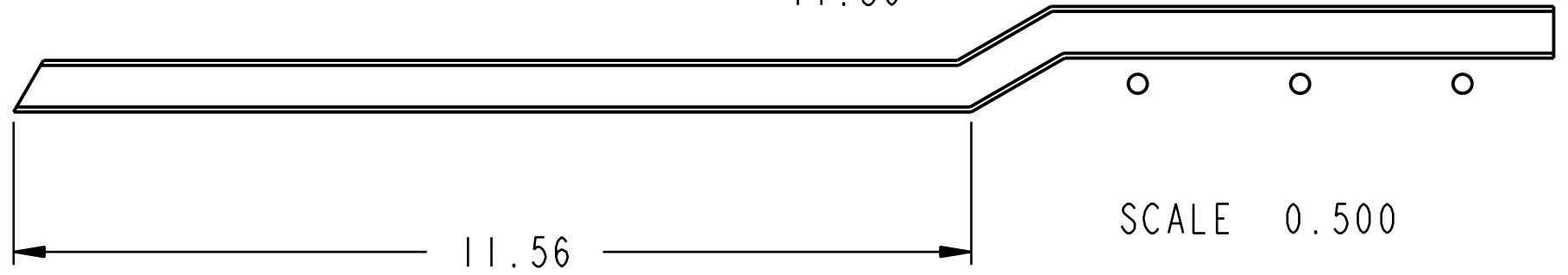
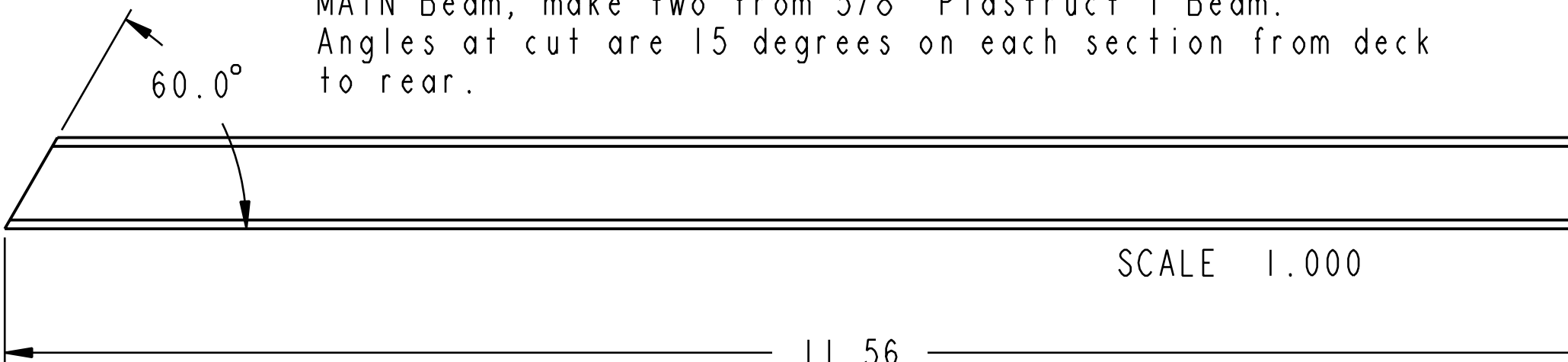
Copyright 2017 Dunstan Fandel

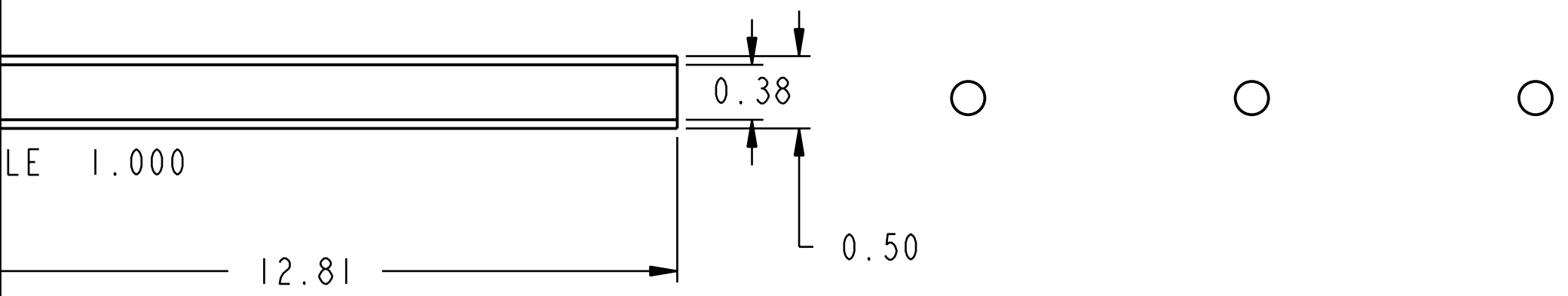
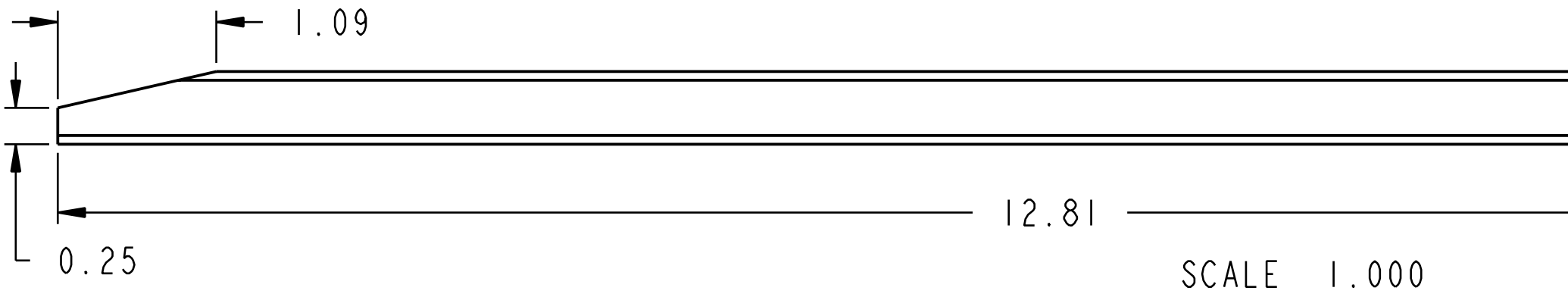


SCALE 0.500

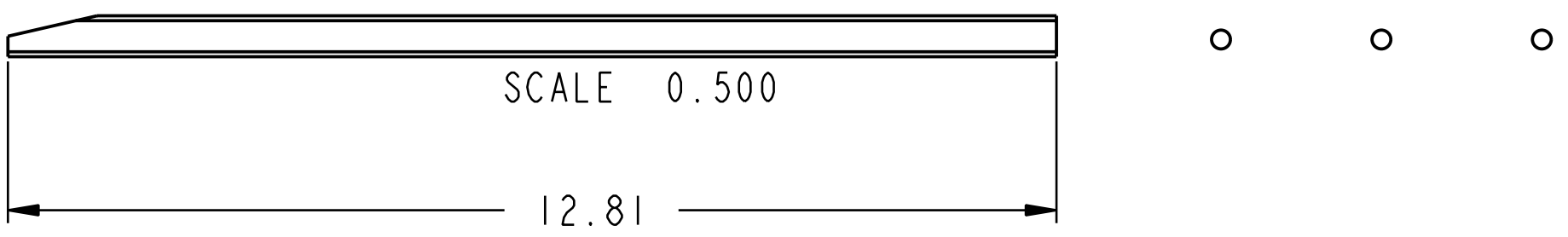


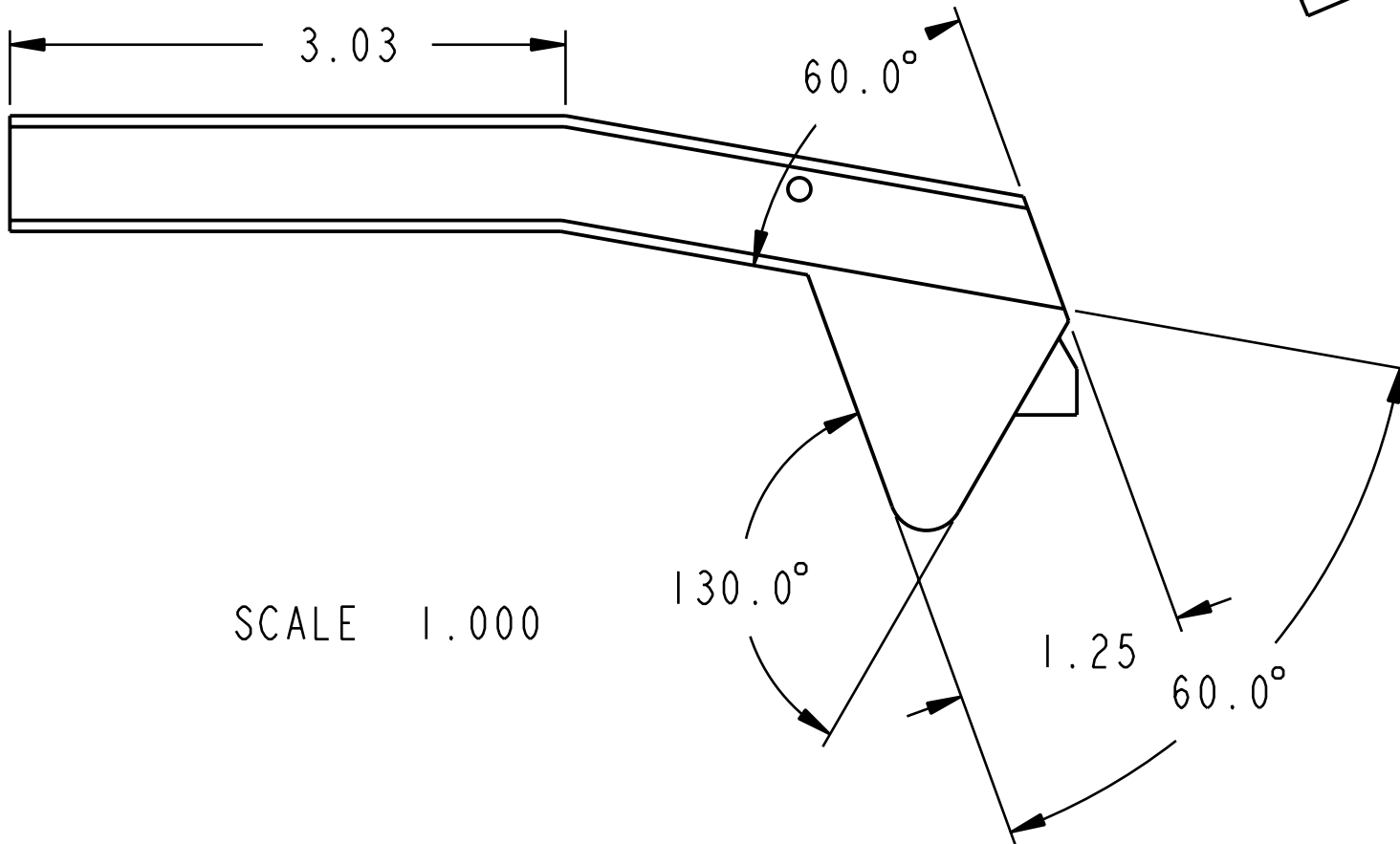
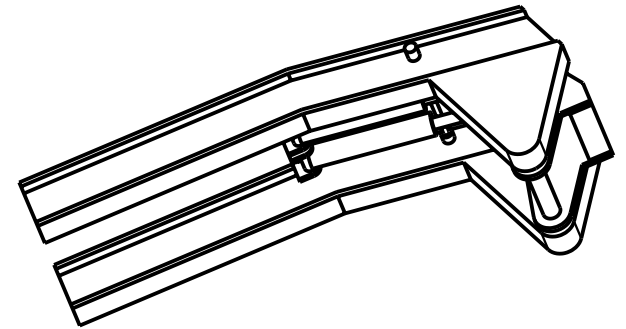
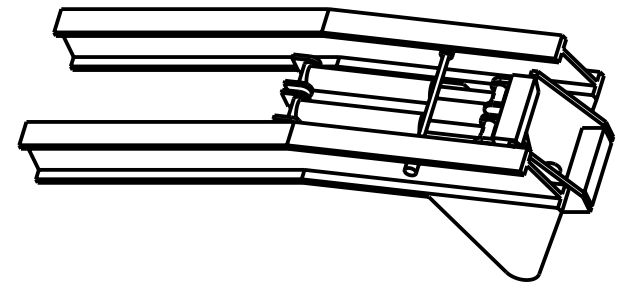
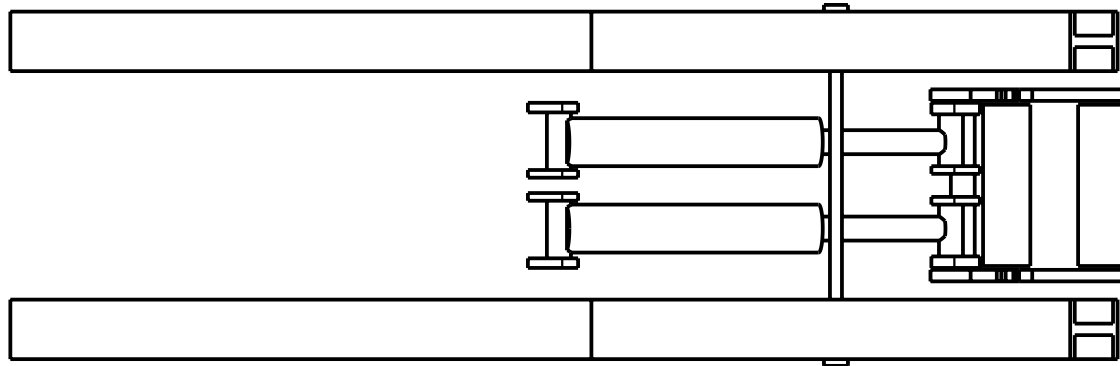
MAIN Beam, make two from 5/8" Plastruct I Beam.
 Angles at cut are 15 degrees on each section from deck
 to rear.



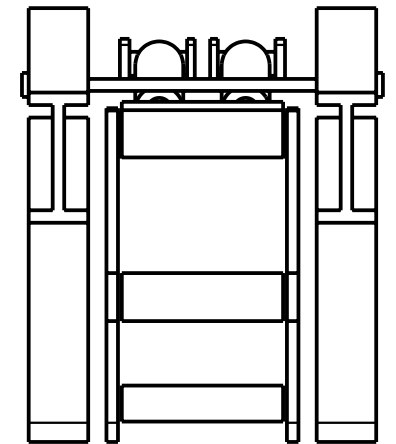


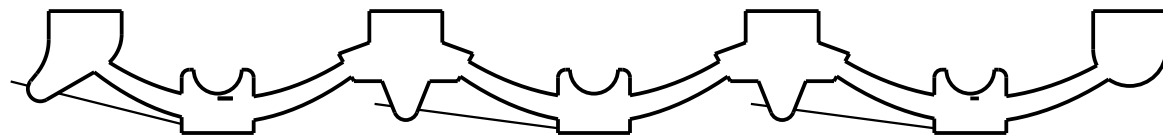
Side beams, .50" Plastruct I beam
make 2



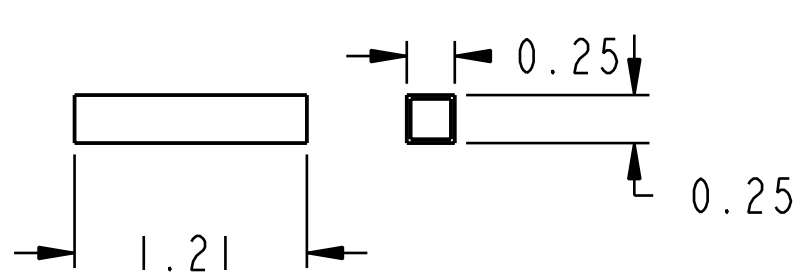


SCALE 1.000

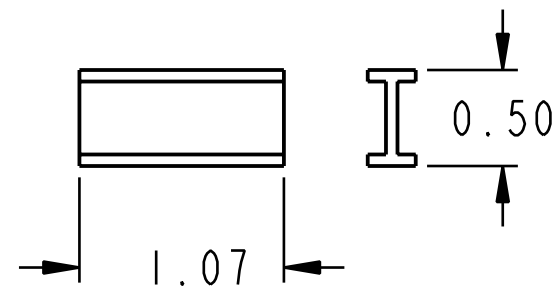




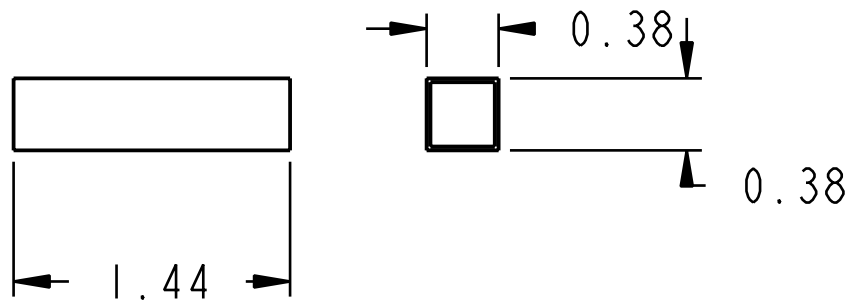
SCALE 1.000



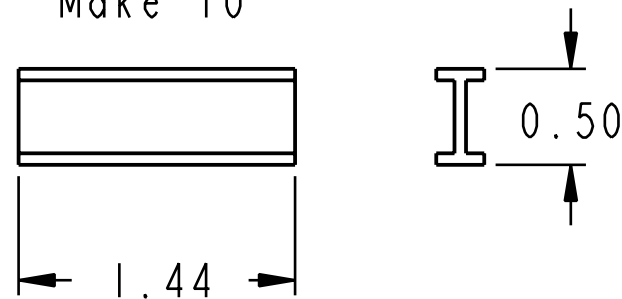
Rear supports, make two
.25' styrene tube



Side Crossmembers .50" I beam
Make 10

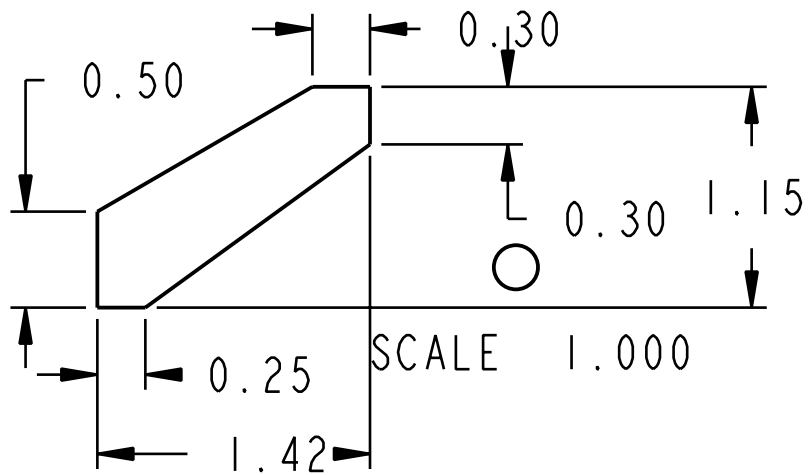


Gooseneck Support,
.375" square tube
make two

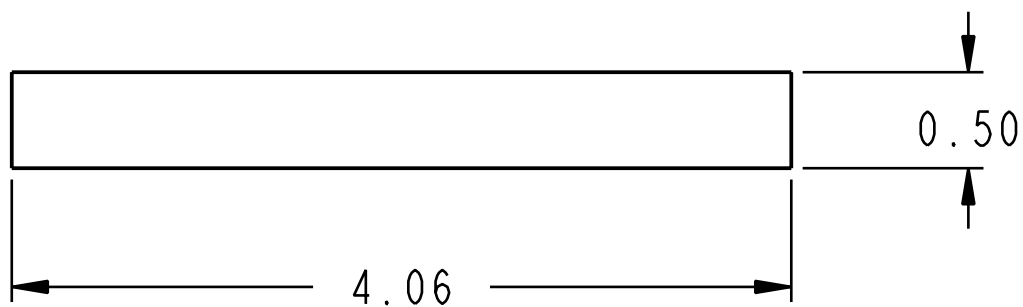


Main Crossmember .50" I beam
Make 11

SCALE 1.000

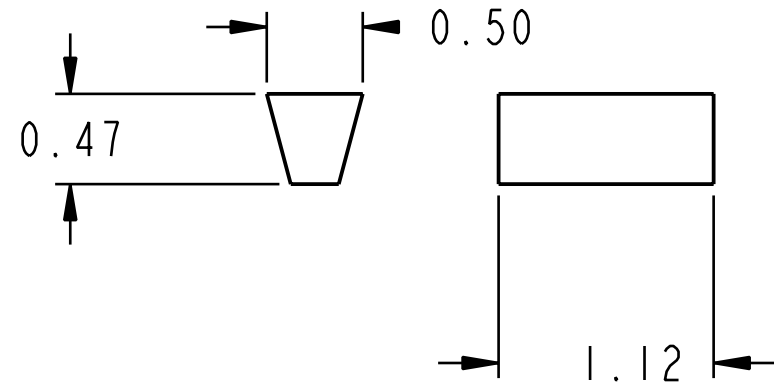
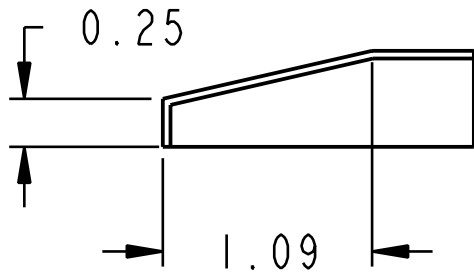
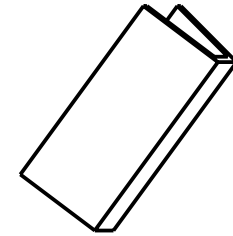
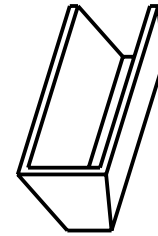
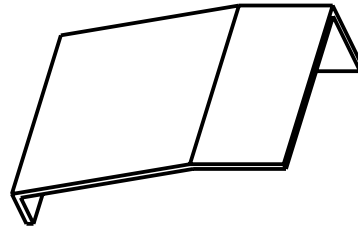
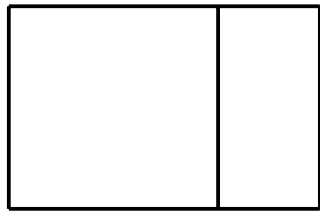


Side cover from side beam to rear deck. Make two, .040" Styrene



Rear cover, make one
.040" Styrene

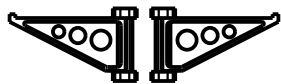
SCALE 1.000



SCALE 1.000

ramp, construct from .040" sheet

rear deck support
make 4 from .040" sheet



Outriggers, left and right

SCALE 1.000