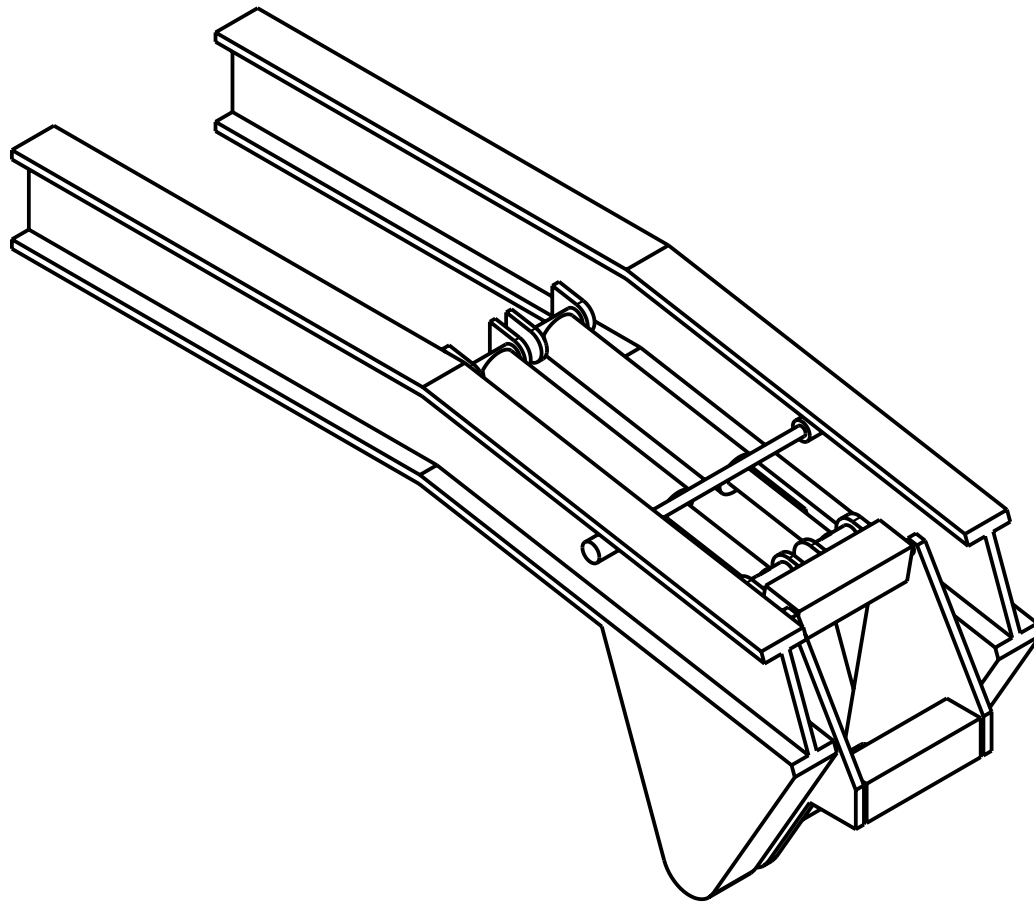


1/25th scale NGB60 Gooseneck
full size patterns.

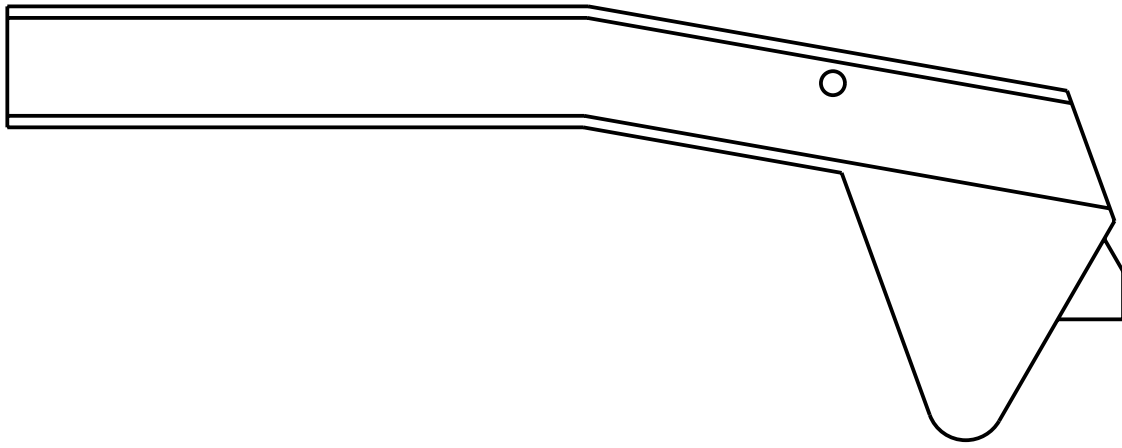
Some detail not shown in
this drawing set.

This drawing is NOT for sale

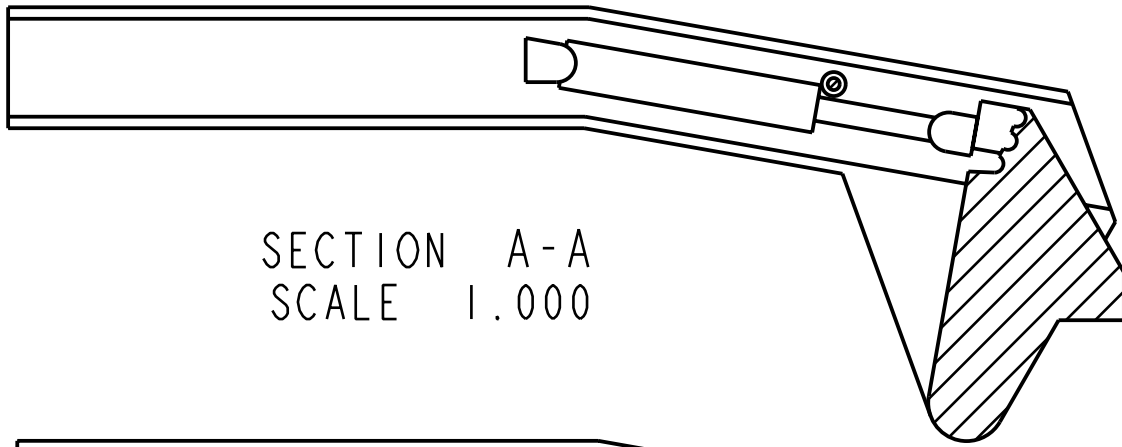
It may be reproduced and
freely shared for personal
use only.



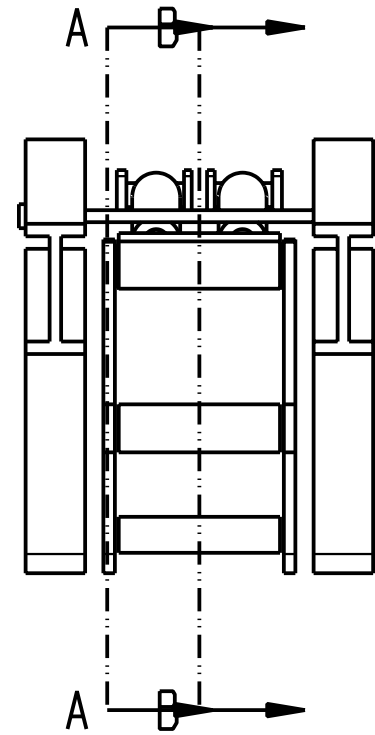
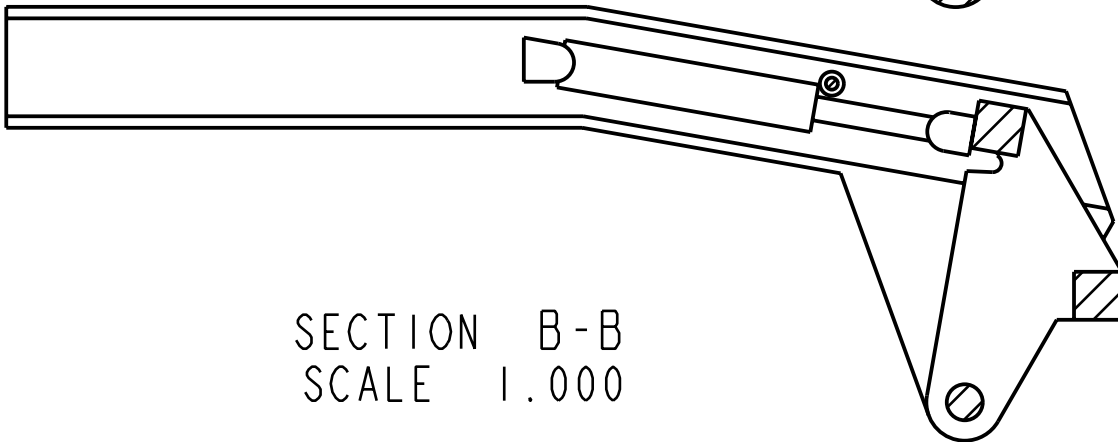
SCALE 1.000



SECTION A-A
SCALE 1.000



SECTION B-B
SCALE 1.000



Construct center pivot
from .060 sheet per
section A-A

Connect with .250'
tube and .186 round
tube located per
section B-B

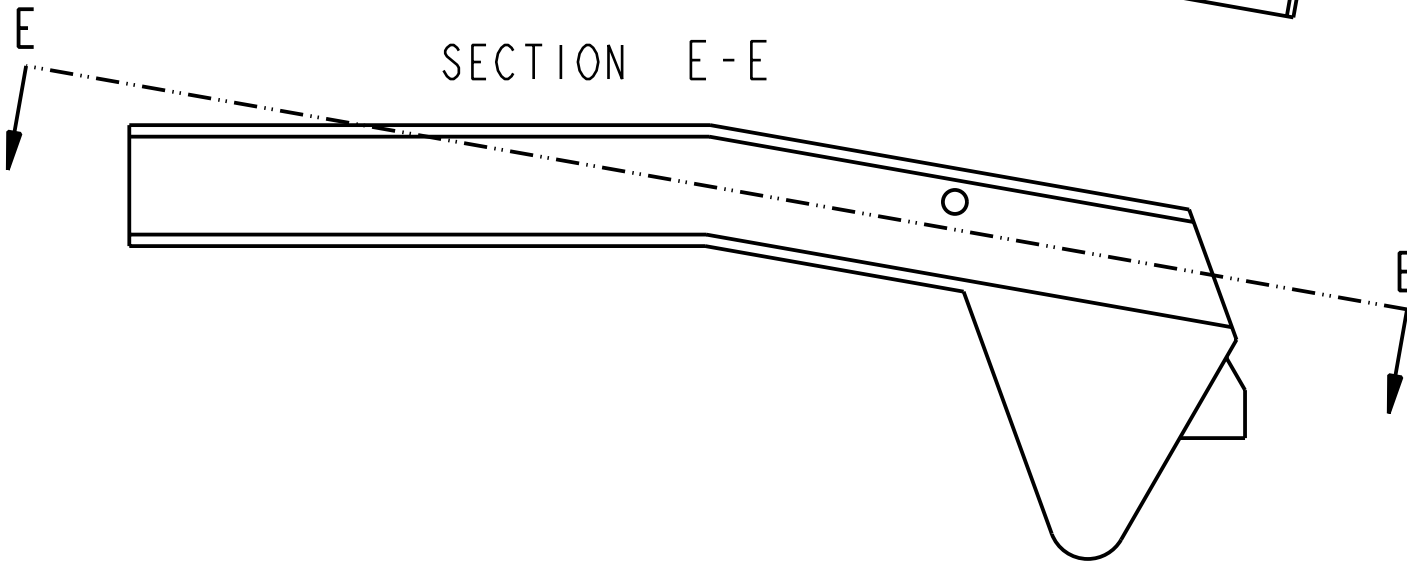
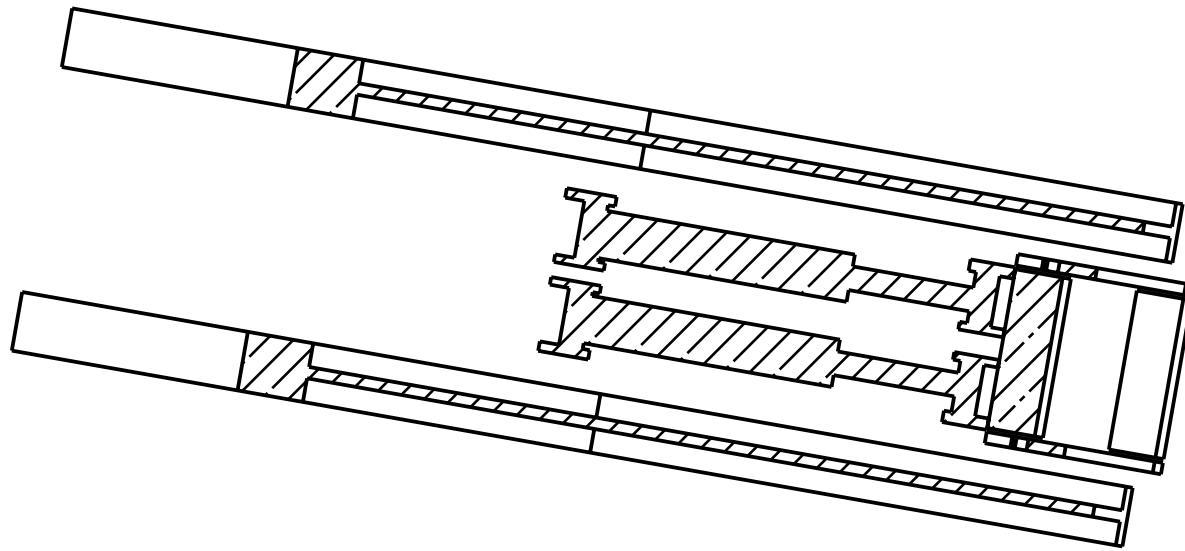
SCALE 1.000

Make Gooseneck
from 5/8"
Plastruct I beam

Print this file
actual size to
use as template

Construct Lift
Cylinders from
.250" and .186"
styrene tube, and
.125"
styrene rod.
Pivots are .040"
sheet

Connect cylinders
to pivot with
.125" brass rod



SCALE 1.000