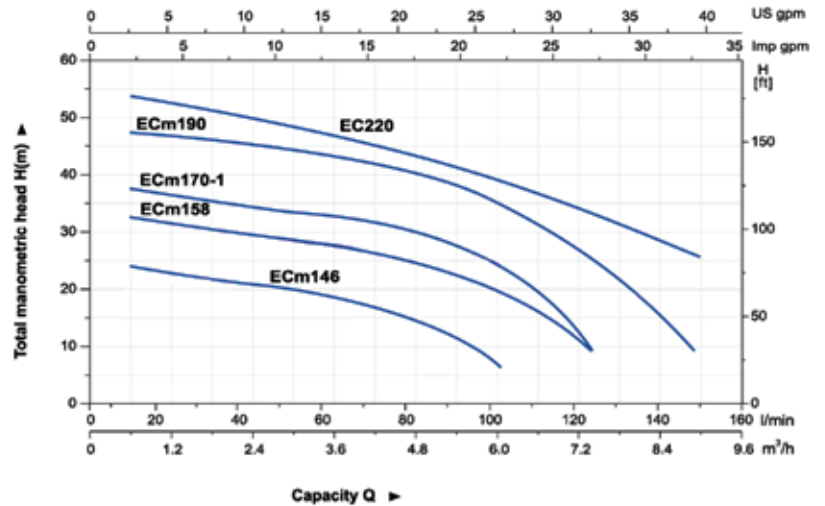




**ECm**

**HYDRAULIC PERFORMANCE CURVE**



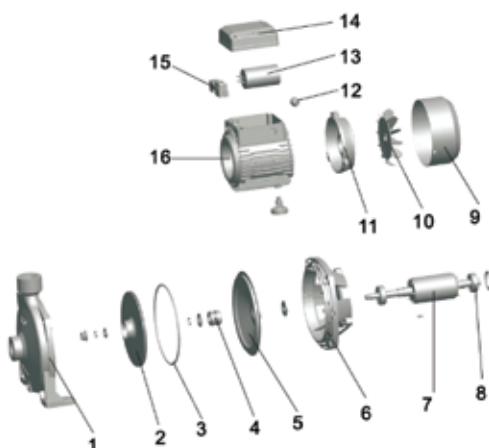
**Pump**

- Transfer of clean water or non-aggressive liquid
- Special anti-rust treatment for pump body and support
- Max. liquid temperature: +60°C
- Max. suction: +8 m

**Motor**

- Copper winding
- Built-in thermal protector for single phase motor
- Insulation class: F
- Protection class: IPX4
- Max. ambient temperature: +40°C

MODEL	POWER		INLET/OUTLET	MAX.FLOW (l/min)	MAX.HEAD (m)	MAX.SUCT (m)
	(kW)	(HP)				
ECm146	0.60	0.8	1" x 1"	110	27	8
ECm158	0.75	1.0	1" x 1"	121	33	8
ECm170-1	1.1	1.5	1" x 1"	130	41	8
ECm190	1.5	2.0	1 1/4" x 1"	150	48	8
EC220	2.2	3.0	1 1/4" x 1"	150	55	8

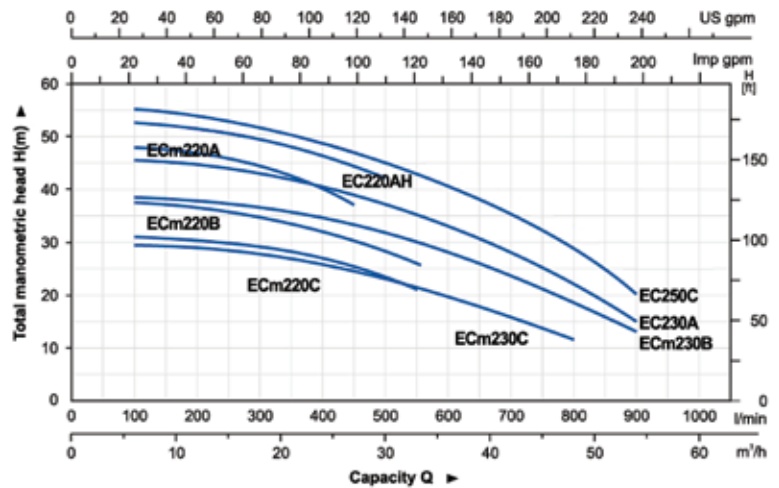


Part	Material	Remark
1 Pump body	Cast iron	E-coating
2 Impeller	Brass/Noryl/Stainless steel	
3 Sealing ring	NBR	
4 Mechanical seal	Ceramic/Carbon	
5 Bracket cover	Stainless steel	
6 Support	Aluminum	
7 Rotor	Cold-rolled sheet	
8 Bearing		
9 Fan cover	Iron	
10 Fan	Noryl	
11 End plate	Aluminum	
12 Outlet nozzle	NBR	
13 Capacitor		
14 Cover box	ABS	
15 Wire holder assembly		
16 Stator	Aluminum casting	Cold-rolled sheet



**ECm**

**HYDRAULIC PERFORMANCE CURVE**



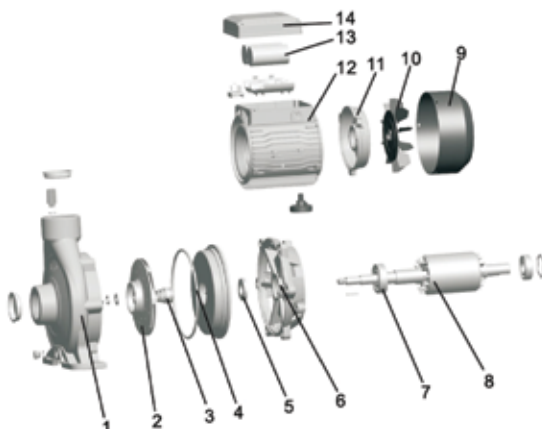
**Pump**

- Cast iron pump body and support under special anti-rust treatment
- AISI 304 shaft
- Max. liquid temperature: +60°C
- Max. suction: +8 m

**Motor**

- C&U braring
- Motor with copper winding
- Insulation class: F
- Protection class: IPX4
- Max. ambient temperature: +40°C

MODEL	POWER		INLET/OUTLET	MAX.FLOW (l/min)	MAX.HEAD (m)	MAX.SUCT (m)
	(kW)	(HP)				
ECm220C	2.2	3	2" x2"	550	33	8
ECm220B	3	4	2" x2"	560	38	8
ECm220A	4	5.5	2" x2"	450	49	8
EC220AH	5.5	7.5	2" x2"	500	54	8
ECm230C	3	4	2" x2"	800	30	8
ECm230B	4	5	2" x2"	900	39	8
EC230A	5.5	7.5	2" x2"	900	46.5	8
EC250C	7.5	10	2" x2"	900	56.5	8



Part	Material	Remark
1	Pump body	HT200
2	Impeller	AISI 304 Brass
3	Mechanical seal	Ceramic/Carbon
4	Bracket cover	HT200
5	Oil seal	
6	Support	HT200
7	Bearing	
8	Rotor	Welded stainless steel shaft
9	Fan cover	PP
10	Fan	PP
11	Rear cover	ZL102
12	Stator	Cold-rolled sheet
13	Capacitor	
14	Terminal box	ABS