

EDX

Horizontal Twin-Impeller Stainless Steel Pumps



Features

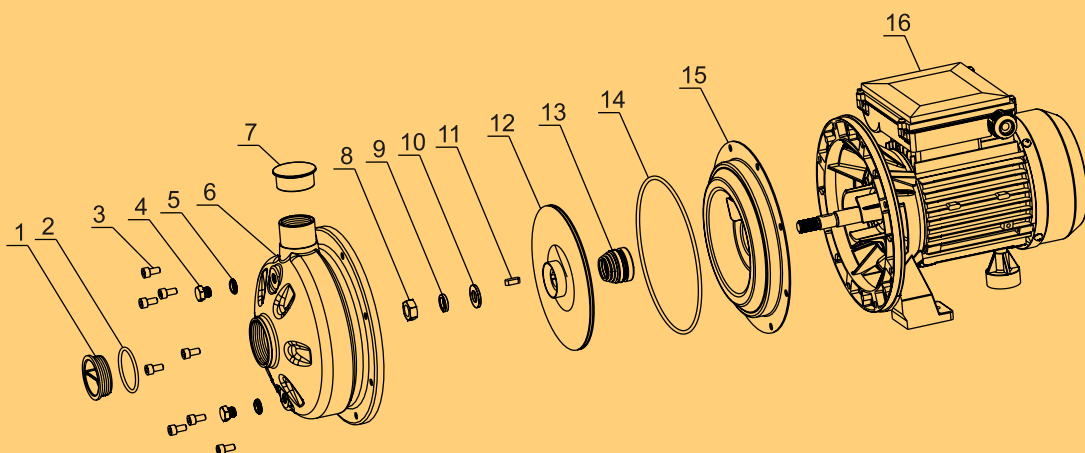
- Fully made in stainless steel AISI304 (DIN 1,4301)
- By means of double (twin) impeller; high pressure ratings
- Compact design; volute pump body adopts liquid bulging technology
- High efficiency hydraulic design
- Low noise level
- Horizontal construction and threaded type of inlet/outlet connections
- Maximum liquid temperature: +104°C
- IP68 Protection
- Insulation Class: F

Applications

EDX pumps are suitable for water treatment desalination and transfer systems, circular cleaning system for industrial production lines in all fields, domestic water systems, boosting, fire extinguishing, agricultural sprinkler irrigation, washing machines and cooling towers.

Construction

EDX pumps have big shaft, good inflexibility, high strength and durable construction.

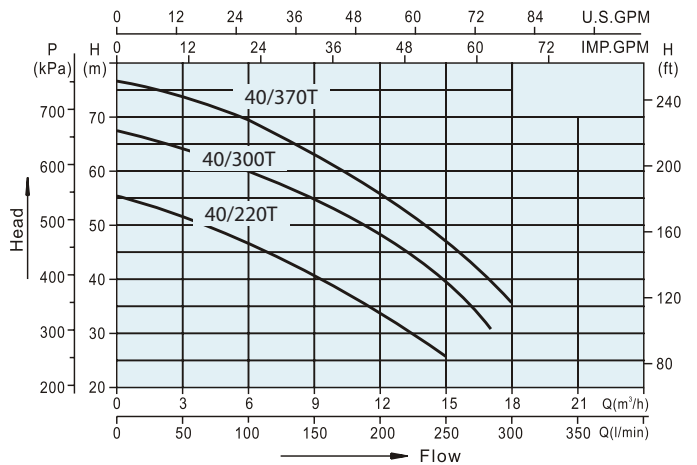
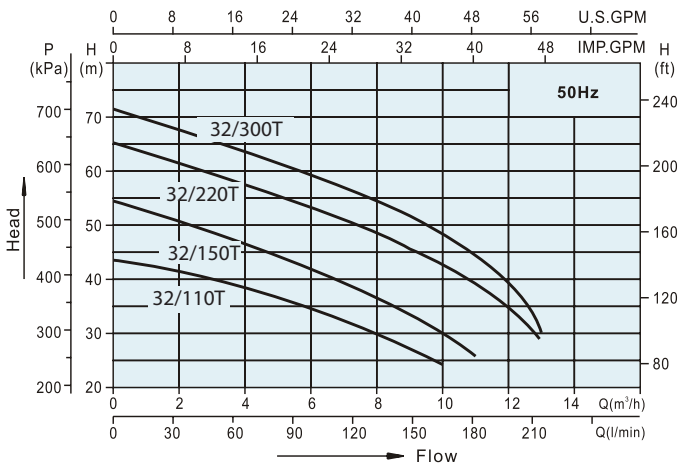
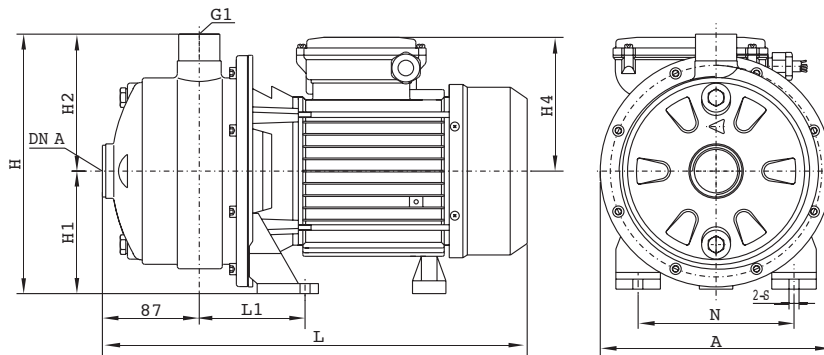


| NO. | Name |
|-----|---------------------|
| 1 | Dust cap |
| 2 | O-ring |
| 3 | Inside hexagon bolt |
| 4 | Plug |
| 5 | Plug pad |
| 6 | Pump Casing |
| 7 | Dust cap |
| 8 | Hexagon Nut |

| NO. | Name |
|-----|-----------------|
| 9 | Spring washer |
| 10 | Washer |
| 11 | Key |
| 12 | Impeller |
| 13 | Mechanical Seal |
| 14 | O-ring |
| 15 | Pump Cover |
| 16 | Motor |

EDX

Horizontal Twin-Impeller Stainless Steel Pumps



| Type | A | L1 | N | H | H1 | H2 | S | Single Phase | | Three Phase | | DN |
|------------|-----|-----|-----|-----|-----|-----|----|--------------|-----|-------------|-----|-----|
| | | | | | | | | L | H4 | L | H4 | |
| EDX 32-110 | 208 | 95 | 140 | 229 | 106 | 123 | 9 | 382 | 132 | 382 | 111 | 1¼" |
| EDX 32-150 | 208 | 109 | 140 | 229 | 106 | 123 | 9 | 397 | 132 | 382 | 118 | 1¼" |
| EDX 32-220 | 230 | 109 | 140 | 249 | 118 | 131 | 9 | - | - | 415 | 118 | 1¼" |
| EDX 32-300 | 230 | 109 | 140 | 249 | 118 | 131 | 9 | - | - | 437 | 118 | 1¼" |
| EDX 40-220 | 208 | 109 | 140 | 229 | 106 | 123 | 9 | - | - | 415 | 118 | 1½" |
| EDX 40-300 | 230 | 109 | 140 | 249 | 118 | 131 | 9 | - | - | 437 | 118 | 1½" |
| EDX 40-370 | 230 | 109 | 160 | 249 | 118 | 131 | 12 | - | - | 469 | 148 | 1½" |


| Type | P2 kW | Flow m³/h | Head (m) | | | | | | | | | | |
|------------|----------|--------------|----------|-----|------|-----|-----|----|------|------|----|----|--|
| | | | 1,2 | 2,4 | 3,6 | 4,8 | 7,2 | 9 | 10,8 | 12,6 | 15 | 17 | |
| EDX 32-110 | 1,1 | H (m) | 42 | 41 | 39 | 37 | 32 | 27 | 17 | | | | |
| EDX 32-150 | 1,5 | | 52 | 49 | 46 | 45 | 38 | 33 | 27 | 20 | | | |
| EDX 32-220 | 2,2 | | 61 | 60 | 58 | 55 | 49 | 45 | 39 | 29 | | | |
| EDX 32-300 | 3 | | 68 | 66 | 64 | 62 | 56 | 52 | 46 | 30 | | | |
| EDX 40-220 | 2,2 | | 55 | 53 | 52 | 48 | 46 | 41 | 38 | 32 | 26 | | |
| EDX 40-300 | 3 | | 66 | 65 | 63,5 | 62 | 58 | 55 | 52 | 47 | 39 | 31 | |
| EDX 40-370 | 3,7 | | 75 | 72 | 71 | 69 | 66 | 63 | 56 | 53 | 47 | 40 | |

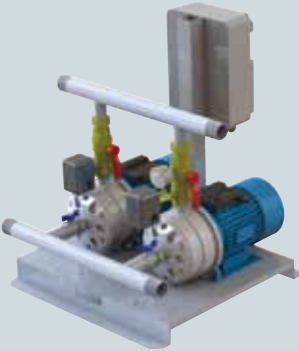
DC1-DC2-DC3 EDX

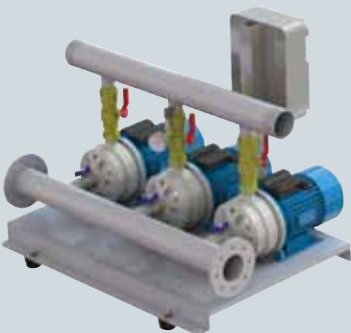
Performance Table

Booster Set with EDX Pumps

Excellent Booster Sets with 1 Main + 1 Stand-By Configurations

| | Flow | Hm | Booster Type | P2 | Mainfold Size | |
|--|-------------------|-------|----------------------|-----|---------------|-----|
| | m ³ /h | mWc | | kW | S | D |
|  | 8 | 30/45 | DC1 - EDX 32-110/1,1 | 1,1 | 1½" | 1½" |
| | 8 | 35/50 | DC1 - EDX 32-150/1,5 | 1,5 | 1½" | 1½" |
| | 10 | 45/60 | DC1 - EDX 32-220/2,2 | 2,2 | 1½" | 1½" |
| | 10 | 50/70 | DC1 - EDX 32-300/3 | 3 | 1½" | 1½" |
| | 12 | 35/50 | DC1 - EDX 40-220/2,2 | 2,2 | 1½" | 1½" |
| | 12 | 45/60 | DC1 - EDX 40-300/3 | 3 | 1½" | 1½" |
| | 12 | 55/70 | DC1 - EDX 40-370/3,7 | 3,7 | 1½" | 1½" |

| | | | | | | |
|---|------|-------|----------------------|-------|-----|----|
|  | 2x8 | 30/45 | DC2 - EDX 32-110/1,1 | 2x1,1 | 2½" | 2" |
| | 2x8 | 35/50 | DC2 - EDX 32-150/1,5 | 2x1,5 | 2½" | 2" |
| | 2x10 | 45/60 | DC2 - EDX 32-220/2,2 | 2x2,2 | 2½" | 2" |
| | 2x10 | 50/70 | DC2 - EDX 32-300/3 | 2x3 | 2½" | 2" |
| | 2x12 | 35/50 | DC2 - EDX 40-220/2,2 | 2x2,2 | 2½" | 2" |
| | 2x12 | 45/60 | DC2 - EDX 40-300/3 | 2x3 | 2½" | 2" |
| | 2x12 | 55/70 | DC2 - EDX 40-370/3,7 | 2x3,7 | 2½" | 2" |


| | | | | | | |
|---|------|-------|----------------------|-------|-----|-----|
|  | 3x8 | 30/45 | DC3 - EDX 32-110/1,1 | 3x1,1 | 2½" | 2½" |
| | 3x8 | 35/50 | DC3 - EDX 32-150/1,5 | 3x1,5 | 2½" | 2½" |
| | 3x10 | 45/60 | DC3 - EDX 32-220/2,2 | 3x2,2 | 2½" | 2½" |
| | 3x10 | 50/70 | DC3 - EDX 32-300/3 | 3x3 | 2½" | 2½" |
| | 3x12 | 35/50 | DC3 - EDX 40-220/2,2 | 3x2,2 | 2½" | 2½" |
| | 3x12 | 45/60 | DC3 - EDX 40-300/3 | 3x3 | 2½" | 2½" |
| | 3x12 | 55/70 | DC3 - EDX 40-370/3,7 | 3x3,7 | 2½" | 2½" |


WDRIVE-1-2-3 EDX

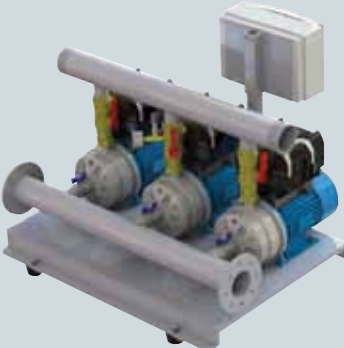
Performance Table

Booster Set with EDX Pumps

Excellent Booster Sets with 1 Main + 1 Stand-By Configurations

| | Flow | Hm | Booster Type | P2 | Mainfold Size | |
|--|-------------------|-------|--------------------------|-----|---------------|-----|
| | m ³ /h | mWc | | kW | S | D |
|  | 8 | 30/45 | WDRIVE1 - EDX 32-110/1,1 | 1,1 | 1½" | 1½" |
| | 8 | 35/50 | WDRIVE1 - EDX 32-150/1,5 | 1,5 | 1½" | 1½" |
| | 10 | 45/60 | WDRIVE1 - EDX 32-220/2,2 | 2,2 | 1½" | 1½" |
| | 10 | 50/70 | WDRIVE1 - EDX 32-300/3 | 3 | 1½" | 1½" |
| | 12 | 35/50 | WDRIVE1 - EDX 40-220/2,2 | 2,2 | 1½" | 1½" |
| | 12 | 45/60 | WDRIVE1 - EDX 40-300/3 | 3 | 1½" | 1½" |
| | 12 | 55/70 | WDRIVE1 - EDX 40-370/3,7 | 3,7 | 1½" | 1½" |

| | | | | | | |
|---|------|-------|--------------------------|-------|-----|----|
|  | 2x8 | 30/45 | WDRIVE2 - EDX 32-110/1,1 | 2x1,1 | 2½" | 2" |
| | 2x8 | 35/50 | WDRIVE2 - EDX 32-150/1,5 | 2x1,5 | 2½" | 2" |
| | 2x10 | 45/60 | WDRIVE2 - EDX 32-220/2,2 | 2x2,2 | 2½" | 2" |
| | 2x10 | 50/70 | WDRIVE2 - EDX 32-300/3 | 2x3 | 2½" | 2" |
| | 2x12 | 35/50 | WDRIVE2 - EDX 40-220/2,2 | 2x2,2 | 2½" | 2" |
| | 2x12 | 45/60 | WDRIVE2 - EDX 40-300/3 | 2x3 | 2½" | 2" |
| | 2x12 | 55/70 | WDRIVE2 - EDX 40-370/3,7 | 2x3,7 | 2½" | 2" |

| | | | | | | |
|---|------|-------|--------------------------|-------|-----|-----|
|  | 3x8 | 30/45 | WDRIVE3 - EDX 32-110/1,1 | 3x1,1 | 2½" | 2½" |
| | 3x8 | 35/50 | WDRIVE3 - EDX 32-150/1,5 | 3x1,5 | 2½" | 2½" |
| | 3x10 | 45/60 | WDRIVE3 - EDX 32-220/2,2 | 3x2,2 | 2½" | 2½" |
| | 3x10 | 50/70 | WDRIVE3 - EDX 32-300/3 | 3x3 | 2½" | 2½" |
| | 3x12 | 35/50 | WDRIVE3 - EDX 40-220/2,2 | 3x2,2 | 2½" | 2½" |
| | 3x12 | 45/60 | WDRIVE3 - EDX 40-300/3 | 3x3 | 2½" | 2½" |
| | 3x12 | 55/70 | WDRIVE3 - EDX 40-370/3,7 | 3x3,7 | 2½" | 2½" |